

Durofix

RW1216-3

CORDLESS RATCHET WRENCH

PRODUCT INFORMATION MANUAL

Manuel informations du produit

Manual información del producto

English

Français

Español



THIS MANUAL CONTAINS IMPORTANT INFORMATION REGARDING SAFETY, OPERATION, MAINTENANCE AND STORAGE OF THIS PRODUCT.

CE MANUEL CONTIENT DES INFORMATIONS IMPORTANTE CONCERNANT LA SECURITE, L'OPERATION, LA MAINTENANCE ET LE STOCKAGE DE CE PRODUIT.

ESTE MANUAL CONTIENE INFORMACIÓN IMPORTANTE ACERCA DE LA SEGURIDAD, FUNCIONAMIENTO, MANTENIMIENTO Y ALMACENAMIENTO DE ESTE PRODUCTO.

DO NOT ATTEMPT TO OPERATE THE TOOL UNTIL YOU HAVE READ AND UNDERSTOOD ALL INSTRUCTIONS AND SAFETY RULES CONTAINED IN THIS MANUAL. FAILURE TO COMPLY MAY RESULT IN ACCIDENTS INVOLVING FIRE, ELECTRIC SHOCK, OR SERIOUS PERSONAL INJURY. SAVE THIS OWNER'S MANUAL FOR FUTURE REFERENCE AND REVIEW IT FREQUENTLY FOR SAFE OPERATION.

NE PAS TENTER D'OPERER L'OUTIL TANT QUE VOUS N'AVEZ PAS LU ET COMPRIS TOUTES LES INSTRUCTIONS ET REGLES DE SECURITE CONTENUES DANS CE MANUEL. SINON VOUS RISQUEZ DES ACCIDENTS TELS QU'UN INCENDIE, UNE ELECTROCUTION, OU DES BLESSURES CORPORELLES GRAVES. CONSERVEZ CE MODE D'EMPLOI EN CAS DE BESOIN ET RELISEZ-LE SOUVENT POUR UTILISER VOTRE OUTIL EN TOUTE SECURITE.

NO UTILICE ESTA HERRAMIENTA HASTA HABER LEÍDO Y COMPRENDIDO TODAS LAS INSTRUCCIONES Y NORMAS DE SEGURIDAD CONTENIDAS EN ESTE MANUAL. SI NO LO HACE PODRÍA PROVOCAR ACCIDENTES CON FUEGO, DESCARGA ELÉCTRICA O LESIONES PERSONALES SERIAS. GUARDE ESTE MANUAL DE INSTRUCCIONES PARA SU CONSULTA EN EL FUTURO Y REVÍSELO FRECUENTEMENTE PARA UN USO SEGURO.



THANKS FOR CHOOSING THIS PRODUCT

Durofix provides you with products at an affordable price, and we would like you to be fully satisfied with this product and our technical support. If any help or advice is needed, please kindly contact us.

INTENDED USE

This tool is intended for personal use only.

This Ratchet Wrench is designed to remove and install threaded fasteners.

GENERAL SAFETY RULES

WARNING

READ AND UNDERSTAND ALL INSTRUCTIONS.

Failure to follow all instructions listed below may result in electric shock, fire and/or serious injury. The term "power tool" in all of the warnings listed below refers to your mains-operated (corded) power tool or battery-operated (cordless) power tool.

SAVE THESE INSTRUCTIONS FOR FUTURE REFERENCE

RECOGNIZE SAFETY SYMBOLS, WORDS AND LABELS

The safety instructions provided in this manual are not intended to cover all possible conditions and practices that may occur when operating, maintaining and cleaning power tools.

Always use common sense and pay particular attention to all the **DANGER**, **WARNING**, **CAUTION** and **NOTE** statements of this manual.



This is the safety alert symbol. It is used to alert you to potential personal injury hazards. Obey all safety messages that follow this symbol to avoid possible injury or death.

DANGER

DANGER indicates an imminently hazardous situation which, if not avoided, will result in death or serious injury.

WARNING

WARNING indicates a potentially hazardous situation which, if not avoided, could result in death or serious injury.

CAUTION

CAUTION indicates a potentially hazardous situation which, if not avoided, may result in minor or moderate injury.

NOTE

NOTE provides additional information that is useful for proper use and maintenance of this tool. If a **NOTE** is indicated make sure it is fully understood.

WARNING LABEL IDENTIFICATION



Read Manuals Before Operating Product.



Wear Eye Protection.



Wear Hearing Protection.



Wear Dust Mask.



Power tools can vibrate in use.



Keep body stance balanced and firm. Do not overreach when operating this tool.

IMPORTANT SAFETY RULES

⚠ DANGER

When using power tools, always prevent exposure and breathing of harmful dust and particles.

WARNING: Some dust created by power sanding, sawing, grinding, drilling and other construction activities contains chemicals known to the State of California to cause cancer, birth defects or other reproductive harm.

Some examples of these chemicals are:

- Lead from lead-based paints.
- Crystalline silica from bricks and cement and other masonry products, and arsenic and chromium from chemically-treated lumber.

Your risk from these exposures varies, depending on how often you do this type of work. To reduce your exposure to these chemicals: work in a well ventilated area, and work with approved safety equipment, such as dust masks that are specially designed to filter out microscopic particles.

WARNING: Handling the power cord on corded products may expose you to lead, a chemical known to the State of California to cause cancer and birth defects or other reproductive harm. *Wash hands after handling.*

WORK AREA

⚠ WARNING

Keep work area clean and well lit. Cluttered and dark areas invite accidents.

English

Do not operate power tools in explosive atmospheres, such as in the presence of flammable liquids, gases or dust. Power tools create sparks which may ignite the dust or fumes.

Keep children and bystanders away while operating a power tool. Distractions can cause you to lose control.

ELECTRICAL SAFETY

WARNING

Avoid body contact with earthed or grounded surfaces such as pipes, radiators, ranges and refrigerators. There is an increased risk of electric shock if your body is earthed or grounded.

Do not expose power tools to rain or wet conditions. Water entering a power tool will increase the risk of electric shock.

PERSONAL SAFETY

WARNING

Stay alert, watch what you are doing and use common sense when operating a power tool. Do not use a power tool while you are tired or under the influence of drugs, alcohol or medication. A moment of inattention while operating power tools may result in serious personal injury.

Use safety equipment. Always wear eye protection. Safety equipment such as dust mask, non-skid safety shoes, hard hat, or hearing protection used for appropriate conditions will reduce personal injuries.

Remove any adjusting key or wrench before turning the power tool on. A wrench or a key left attached to a rotating part of the power tool may result in personal injury.

Do not overreach. Keep proper footing and balance at all times. This enables better control of the power tool in unexpected situations.

Dress properly. Do not wear loose clothing or jewellery. Keep your hair, clothing and gloves away from moving parts. Loose clothes, jewellery or long hair can be caught in moving parts.

If devices are provided for the connection of dust extraction and collection facilities, ensure these are connected and properly used. Use of these devices can reduce dust-related hazards.

TOOL USE AND CARE

CAUTION

Use clamps or other practical way to secure and support the workpiece to a

stable platform. Holding the work by hand or against your body is unstable and may lead to loss of control.

Do not force tool. Use the correct tool for your application. The correct tool will do the job better and safer at the rate for which it is designed.

Do not use tool if switch does not turn it on or off. A tool that cannot be controlled with the switch is dangerous and must be repaired.

Disconnect battery pack from tool or place the switch in the locked or off position before making any adjustments, changing accessories, or storing the tool. Such preventive safety measures reduce the risk of starting the tool accidentally.

Store idle tools out of reach of children and other untrained persons. Tools are dangerous in the hands of untrained users.

When battery pack is not in use, keep it away from other metal objects like: paper clips, coins, keys, nails, screws, or other small metal objects that can make a connection from one terminal to another. Shorting the battery terminals together may cause sparks, burns, or a fire.

Maintain tools with care. Keep cutting tools sharp and clean. Properly maintained tools with sharp cutting edge are less likely to bind and are easier to control.

Check for misalignment or binding of moving parts, breakage of parts, and any other condition that may affect the tool's operation. If damaged, have the tool serviced before using. Many accidents are caused by poorly maintained tools.

Use only accessories that are recommended by the manufacturer for your model. Accessories that may be suitable for one tool may create a risk of injury when used on another tool.

BATTERY TOOL USE AND CARE

CAUTION

Ensure the switch is in the off position before inserting battery pack. Inserting the battery pack into power tools that have the switch on invites accidents.

Recharge only with the charger specified by the manufacturer. A charger that is suitable for one type of battery pack may create a risk of fire when used with another battery pack.

Use power tools only with specifically designated battery packs. Use of any other battery packs may create a risk of injury and fire.

When battery pack is not in use, keep it away from other metal objects like paper clips, coins, keys, nails, screws, or other small metal objects that can make a connection from one terminal to another. Shorting the battery terminals together may cause burns or a fire.

Under abusive conditions, liquid may be ejected from the battery; avoid contact. If contact accidentally occurs, flush with water. If liquid contacts eyes, additionally seek medical help. Liquid ejected from the battery may cause irritation or burns.

English

SERVICE

Have your power tool serviced by a qualified repair person using only identical replacement parts. This will ensure that the safety of the power tool is maintained.

Tool service must be performed only by qualified repair personnel. Service or maintenance performed by unqualified personnel may result in a risk of injury.

When servicing a tool, use only identical replacement parts. Follow instructions in the Maintenance section of this manual. Use of unauthorized parts or failure to follow Maintenance Instructions may create a risk of shock or injury.

SPECIFIC SAFETY RULES AND SYMBOLS

CAUTION

Hold tool by insulated gripping surfaces when performing an operation where the cutting tool may contact hidden wiring. Contact with 'live' wire will also make exposed metal parts of the tool 'live' and shock the operator.

Be aware that this tool is always in an operating condition, because it does not have to be plugged into an electrical outlet. Always set the trigger switch to the locked OFF position when installing or removing the battery pack or bits.

Do not use bits or sockets larger than those recommended. Large bits or drills may overload the wrench/driver and damage the motor and gears.

Do not use if chuck jaws or other parts are cracked or worn.

Never change direction of rotation until motor has completely stopped.

Never hold work in your hand, lap, or against other parts of your body when driving.

Do not use drill as a router or try to elongate or enlarge holes by twisting the drill bit. Drill bits may break and cause injury.

Keep hands away from rotating parts.

Keep drill bit clear of yourself and all objects while installing and removing bit.

Some wood contains preservatives which can be toxic. Take extra care to prevent inhalation and skin contact when working with these materials. Request, and follow, all safety information available from your material supplier.

SYMBOLS

The label on your tool may include the following symbols. The symbols and their definitions are as follows:

SYMBOL	NAME	EXPLANATION
V	Volts	Voltage (potential)
n _o	No Load Speed	No-load Rotational Speed

English

kg	Kilograms	Weight
===	Direct Current	Type of Current
.../min	Revolutions per Minute	Revolutions, Surface Speed, Strokes, etc. per Minute

FUNCTIONAL DESCRIPTION

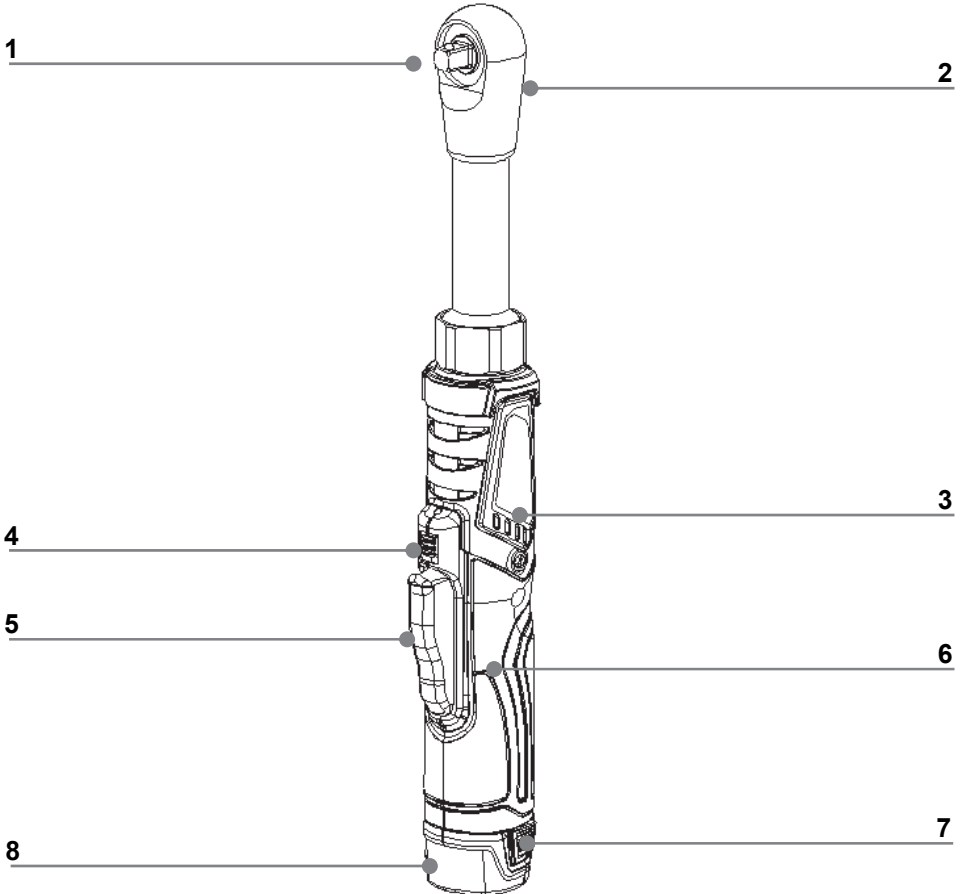


Fig. 1

CONTROLS AND COMPONENTS:

- | | |
|--------------------------------|----------------------------|
| 1. Output Drive | 2. Forward / Reverse Lever |
| 3. Aluminum Housing | 4. Lock button |
| 5. Variable Speed Switch | 6. Anti-slip Soft Grip |
| 7. Battery Pack Release Button | 8. Battery Pack |

SPECIFICATIONS

Model Number	Unit	RW1216-3
Voltage	V d.c.	12
Anvil	in.	3/8"sq.
Max. Tightening Torque	ft-lbs/Nm	65 / 88
No Load Speed	rpm	0-260
Tool Weight (with battery 2.0Ah)	lbs/kg	3.00 / 1.36

ASSEMBLY**INSTALLING OR REMOVING BATTERY PACK**

TO REMOVE BATTERY PACK: Depress the battery release button (see Fig. 2A), and pull battery pack out of tool.

TO INSTALL BATTERY PACK: Align rails (see Fig. 2B), on the tool with the four tabs on the battery pack, and push battery pack onto tool until it locks in place.

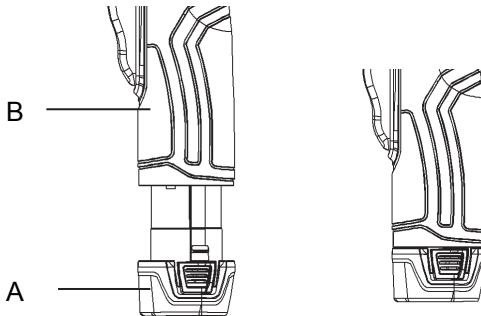


Fig. 2

INSTALLING SOCKETS

Always follow the procedure below to install a socket.

1. Insert a socket into the anvil (see Fig.3).
2. Make sure the bit is fixed in the anvil while clicking on the ball of the anvil.

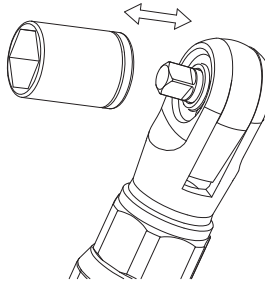


Fig. 3

REMOVING SOCKETS

1. Always follow the procedure below to remove a socket. Pull out the socket from the anvil of output drive directly. (see Fig. 3)

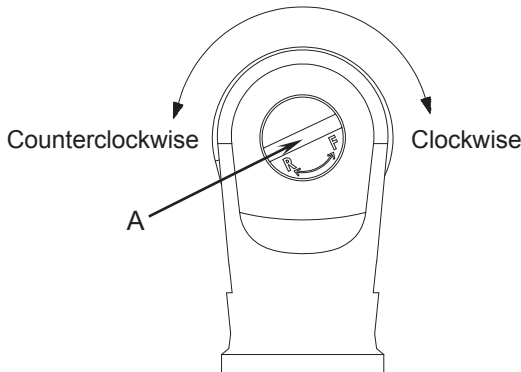
CAUTION

Always set lock button (4) to off position when installing and removing socket or prevent the switch on when place the wrench on bag, work table, tool cabinet.....etc.

FORWARD / REVERSE LEVER

The tool is equipped with a forward/reverse lever (see Fig. 4A), which was designed to change rotation of the output drive.

1. For forward rotation, turn the lever counter-clockwise to the “F” position.
2. For reverse rotation, turn the lever clockwise to the “R” position.



(output drive pointed away from you)

Fig. 4

NOTE

Always check the direction of the rotation before use.

Please do not exceed the specification and scope of use based on the design, to avoid endangering your personal safety and to prevent damaging the tool

2. After continuous use, allow the ratchet wrench to sit idle for 2 minutes before replacing the battery. The temperature of the motor, switch, etc., will rise if the work is started again immediately after the battery has been changed, eventually resulting in burned-out.
3. Place the point of the bolt in the socket. Keep the tool pointed straight at the bolt.
4. Apply forward pressure to the tool to prevent the socket from slipping off the bolt.
5. To start, turn ratchet wrench. Always check torque with a torque wrench. The fastening torque can be affected by many factors including the following:

Voltage: Low voltage due to a nearly discharged battery will reduce the fastening torque.

Socket Size: Failure to use the correct socket size will cause a reduction in fastening torque.

Variable Speed Trigger Switch: Operating the tool at a reduced speed will reduce the fastening torque.

Bolt Size: Larger bolt diameters generally require higher fastening torque. Fastening torque will also vary according to length, grade, and torque coefficient.

Material: The type of material and surface finish of the material will affect fastening torque.

Fastening Time: Longer fastening time results in increased fastening torque. Using a longer fastening time than recommended could cause the screws to be overstressed, stripped or damaged.

NOTE

Continuous use in variable speed range is not recommended. It may damage the switch and should be avoided.

NOTE

When change the position of the control button, making sure the variable speed switch is released.

NOTE

The first time the tool is run after changing the direction of rotation, you may hear a click on start up. This is normal and does not indicate a problem.

WARNING

Remove the battery pack from this tool before cleaning solutions.

NOTE

This tool is lubricated before it leaves the factory. This lubrication should last for the life of the tool. No further lubrication is required.

CLEANING

With the motor running, blow dirt and dust out of all air vents with dry air at least once a week. Wear safety glasses when performing this. Exterior plastic parts may be cleaned a damp cloth and mild detergent. Although these parts are highly solvent resistant, NEVER use solvent.

ACCESSORIES

Use only accessories that are recommended by the manufacturer for your model. Accessories that may be suitable for one tool may become hazardous when used on another tool.

Recommended accessories for use with your tool are available at extra cost from your local service center.

IMPORTANT: To assure product SAFETY and RELIABILITY, repairs, maintenance and adjustments should be performed by certified service centers or other qualified service organizations, always using identical replacement parts.

PROTECTING THE ENVIRONMENT

Before disposing of damaged, check with your state Environmental Protection Agency to find out about special restrictions on the disposal of tool or return them to a certified service center for recycling.

Durofix



For technical support, call: 886-4-25683366

Service address: Mobiletron Electronics Co., Ltd.

No. 85, Sec. 4, Chung-Ching Rd.

Ta-Ya, Taichung, 428,

Taiwan

www.durofix.com.tw

MERCI D'AVOIR CHOISI CE PRODUIT

Durofix offre des produits à des prix abordables et nous espérons que ce produit et notre support technique vous satisferont pleinement. Si vous avez besoin d'assistance, n'hésitez pas à nous contacter.

UTILISATION PRÉVUE

Cet outil est uniquement prévu pour une utilisation personnelle.

Cette clé à cliquet est conçue pour monter et démonter des éléments de fixation filetés.

RÈGLES GÉNÉRALES DE SÉCURITÉ

AVERTISSEMENT

LISEZ ET COMPRENEZ TOUTES LES INSTRUCTIONS.

Le non respect des instructions listées ci-dessous risquera d'engendrer une électrocution, un incendie et/ou des blessures graves. Le terme « outil électrique » dans tous les avertissements ci-dessous réfère à votre outil électrique branché sur le secteur (avec cordon) ou à votre outil électrique alimenté par une batterie (sans cordon).

CONSERVEZ CES INSTRUCTIONS EN CAS DE BESOIN FUTUR

SACHEZ RECONNAÎTRE LES SYMBOLES, LES MOTS, ET LES AVIS DE SÉCURITÉ

Le but des instructions de sécurité fournies dans ce manuel n'est pas de couvrir tous les cas possibles pouvant se présenter pendant le fonctionnement, la maintenance et le nettoyage des outils.

Faites toujours preuve de bon sens et faites particulièrement attention aux instructions marquées **DANGER**, **AVERTISSEMENT**, **ATTENTION** et **AVIS** dans ce manuel.



C'est le symbole d'alerte de sécurité. Il est utilisé pour vous avertir d'un risque de dommages corporels. Obéissez à tous les messages de sécurité qui suivent ce symbole pour éviter tous risques de dommages corporels.

DANGER

DANGER indique une situation dangereuse imminente qui, si elle n'est pas évitée, risque d'entraîner la mort ou des dommages corporels graves.

AVERTISSEMENT

AVERTISSEMENT indique une situation potentiellement dangereuse qui, si elle n'est pas évitée, risque d'entraîner la mort ou des dommages corporels graves.

Français

ATTENTION

ATTENTION indique une situation potentiellement dangereuse qui, si elle n'est pas évitée, risque d'entraîner des dommages corporels mineurs ou modérés.

REMARQUE

AVIS fournit des informations supplémentaires utiles pour l'utilisation et la maintenance de cet outil. Assurez-vous de comprendre parfaitement les AVIS indiqués.

IDENTIFICATION D'ÉTIQUETTE D'AVERTISSEMENT



Lisez les manuels avant d'utiliser le produit.



Port de protection oculaire.



Port d'une protection auditive.



Port d'un masque anti-poussière



Les outils peuvent vibrer lorsqu'ils sont en marche.



Positionnez votre corps de manière bien équilibrée et stable. Ne jouez pas au plus malin lorsque vous utilisez cet outil.

RÈGLES IMPORTANTES DE SÉCURITÉ

DANGER

Lors de l'utilisation d'outils électriques, évitez toujours de vous exposer et de respirer des particules ou de la poussière nocives.

AVERTISSEMENT: La poussière générée par le ponçage, sciage, broyage, forage et d'autres activités de construction contient des composants chimiques connus (par l'État de Californie) pour causer le cancer, des anomalies congénitales ou d'autres problèmes de reproduction.

Voici quelques-uns de ces composants chimiques:

- Le plomb provenant des peintures à base de plomb.
- La silice cristallisée provenant des briques et du ciment et d'autres produits de maçonnerie, et l'arsenic et le chrome provenant des pièces en bois traitées chimiquement.

Votre risque d'exposition dépend de votre fréquence de travail. Pour réduire votre

Français

exposition à ces composants chimiques: Travaillez dans un endroit bien ventilé et travaillez avec des équipements de sécurité certifiés, comme des masques anti-poussière spécialement conçus pour filtrer les particules microscopiques.

AVERTISSEMENT: La manipulation de cordon d'alimentation vous expose à du plomb, un composant chimique connu par l'État de Californie pour causer le cancer, des anomalies congénitales ou d'autres problèmes de reproduction. *Lavez vos mains après manipulation.*

ESPACE DE TRAVAIL

AVERTISSEMENT

Gardez votre espace de travail propre et bien éclairé. Le désordre et le manque d'éclairage sont des conditions propices aux accidents.

N'utilisez pas les outils électriques dans des atmosphères explosives, comme en présence de liquides inflammables, gaz ou poussière. Les outils électriques génèrent des étincelles risquant d'enflammer la poussière ou la fumée.

Gardez les enfants et les spectateurs hors d'atteinte pendant le fonctionnement d'un outil électrique. Des distractions peuvent vous faire perdre le contrôle.

SÉCURITÉ ÉLECTRIQUE

AVERTISSEMENT

Évitez tout contact entre votre corps et des surfaces connectées à la masse/terre comme des tuyaux, radiateurs, gazinière et réfrigérateur. Le risque de choc électrique augmente si votre corps est relié à la masse/terre.

N'exposez pas les outils électriques à la pluie ou à l'humidité. Toute pénétration d'eau à l'intérieur de l'outil augmentera les risques de choc électrique.

SÉCURITÉ PERSONNELLE

AVERTISSEMENT

Restez attentif, faites attention à ce que vous faites et utilisez votre bon sens

Français

lorsque vous utilisez l'outil électrique. N'utilisez pas un outil électrique quand vous êtes fatigué ou sous l'influence de drogue, d'alcool ou de médicaments. Un moment d'inattention pendant l'utilisation de l'outil électrique peut engendrer des blessures corporelles graves.

Utilisez des équipements de sécurité. Portez toujours des protections pour vos yeux. L'utilisation d'équipement de sécurité comme un masque anti-poussière, des chaussures de sécurité anti-dérapantes, un casque de sécurité ou des protections auditives réduiront les risques de blessures corporelles.

Retirez toute clavette de calage ou clé avant d'allumer l'outil électrique. Un clé ou une clavette laissée sur un composant rotatif de l'outil électrique risquera de causer des dommages corporels.

Ne jouez pas au plus malin. Gardez constamment vos appuis et votre équilibre. Ceci permet de mieux contrôler votre outil électrique dans des situations inattendues.

Habillez-vous de manière appropriée. Ne portez pas des vêtements amples ou des bijoux. Gardez vos cheveux, vos vêtements et vos gants hors d'atteinte des pièces en mouvement. Les vêtements amples et les bijoux ou les longs cheveux risquent d'être happés par des pièces en mouvement.

Si des appareils sont fournis pour la connexion de l'extraction de poussière et des équipements de collection, vérifiez qu'ils sont connectés et correctement utilisés. L'utilisation de ces appareils permet de réduire les dangers dus à la poussière.

UTILISATION ET ENTRETIEN D'OUTIL

ATTENTION

Utilisez des clames ou d'autres méthodes pratiques pour fixer et supporter la pièce de fabrication sur une plateforme stable. Le maintien de la pièce avec votre main ou contre votre corps n'est pas stable et risque de vous faire perdre le contrôle.

Ne forcez pas l'outil. Utilisez l'outil adapté à l'application. L'outil adapté donnera des meilleurs résultats et permettra d'effectuer la tâche en toute sécurité.

N'utilisez pas l'outil si l'interrupteur marche/arrêt ne fonctionne pas correctement. Un outil dont l'interrupteur marche/arrêt ne fonctionne pas est dangereux et doit être réparé.

Déconnectez la batterie de l'outil ou commutez l'interrupteur en position de verrouillage ou d'arrêt avant d'effectuer un réglage, un changement d'accessoires ou de le stocker. De telles mesures préventives réduisent les risques de démarrage accidentel de l'outil.

Stockez les outils inutilisés hors d'atteinte des enfants et d'autres personnes non habilitées à utiliser ces outils. Les outils sont dangereux dans les mains

d'utilisateurs non formés.

Lorsque la batterie n'est pas utilisée, gardez-la à l'abri des autres objets métalliques comme : les trombones, pièces de monnaie, clés, ciseaux, vis ou autre petit objet en métal risquant de connecter deux connecteurs entre eux. Le court-circuit des connecteurs de la batterie entraînera des étincelles, des brûlures ou un incendie.

Prenez soin de vos outils. Gardez vos outils de coupe propres et tranchants. Des outils correctement entretenus avec un bord bien tranchant seront moins contraignants et plus faciles à contrôler.

Vérifiez qu'il n'y a aucun problème d'alignement ou sur les pièces mobiles, cassure des composants et autre condition qui affecterait le fonctionnement de l'outil. Si l'outil est endommagé, faites-le réparer avant de l'utiliser. De nombreux accidents sont causés par des outils mal entretenus.

Utilisez uniquement les accessoires recommandés par le fabricant pour votre modèle. Des accessoires adaptés à un outil peuvent devenir dangereux s'ils sont utilisés avec un autre outil.

UTILISATION ET ENTRETIEN D'UNE BATTERIE

ATTENTION

Vérifiez que l'interrupteur est sur la position d'arrêt avant d'installer la batterie. L'installation d'une batterie dans un outil allumé risque de causer des accidents.

Rechargez la batterie uniquement avec le chargeur spécifié par le fabricant. Un chargeur adapté à un type de batterie peut créer un risque d'incendie s'il est utilisé avec une autre batterie.

Utilisez les outils électriques uniquement avec les batteries spécifiées. L'utilisation d'une autre batterie constitue un risque d'incendie ou de blessures

Lorsque la batterie n'est pas utilisée, gardez-la à l'abri des autres objets métalliques comme les trombones, pièces de monnaie, clés, ciseaux, vis ou autre petit objet en métal risquant de connecter deux connecteurs entre eux. Le court-circuit des connecteurs de la batterie entraînera des étincelles, des brûlures ou un incendie.

Dans des conditions abusives, du liquide risque d'être éjecté de la batterie. Évitez tout contact. Si un contact se produit accidentellement, rincez abondamment à l'eau. Si du liquide entre en contact avec vos yeux, consultez votre médecin. Le liquide éjecté de la batterie cause des irritations ou des brûlures.

Faites réparer votre outil électrique par un technicien qualifié en utilisant uniquement des pièces de rechange identiques. Ceci maintiendra la sécurité de l'outil électrique.

La réparation de l'outil doit être effectuée par un technicien qualifié. Toute réparation ou maintenance effectuée par un technicien non qualifié risquera de causer des blessures.

Lors de la réparation d'un outil, utilisez uniquement des pièces de rechange identiques. Suivez les instructions dans la section Maintenance de ce manuel. L'utilisation de pièces non autorisées ou le non respect des instructions de maintenance créera un risque de choc électrique ou de blessures.

RÈGLES ET SYMBOLES SPÉCIFIQUES DE SÉCURITÉ

ATTENTION

Maintenez l'outil par les surfaces antidérapantes isolantes quand vous effectuez une tâche ou l'outil de coupe risque d'entrer en contact avec des câbles électriques cachés. Le contact avec des câbles sous tension mettra les pièces métalliques exposées de l'outil également sous tension et électrocutera l'opérateur.

Soyez averti que cet outil est toujours opérationnel car il n'a pas besoin d'être branché à une prise de courant. Mettez toujours l'interrupteur en position verrouillée d'ARRÊT lorsque vous installez ou retirez une batterie ou une mèche.

N'utilisez pas des mèches ou des prises plus larges que celles recommandées. Des mèches ou des forets trop larges surchargeront la clé ou le moteur d'entraînement et endommageront le moteur et la boîte de vitesses.

Ne l'utilisez pas si des mordaches ou d'autres pièces sont fissurées ou usées.

Ne changez jamais de sens de rotation tant que le moteur n'est pas complètement arrêté.

Ne maintenez jamais une pièce traitée dans votre main, sur vos genoux ou contre d'autres parties de votre corps quand vous travaillez.

N'utilisez pas un foret comme une toupie ou n'essayez pas d'allonger ou d'agrandir des trous en tortillant le foret. Les forets peuvent cassés et vous blesser.

Gardez vos mains éloignées des pièces en rotation.

Gardez le foret éloigné de vous et d'autres objets quand vous l'installez ou le retirez.


Certains bois contiennent des agents de conservation pouvant être toxiques.

Français

Prenez des précautions supplémentaires pour éviter l'inhalation et le contact avec la peau quand vous travaillez avec ces matériaux. Demandez et respectez toutes les informations de sécurité disponibles auprès du fabricant du matériau.

SYMBOLES

L'étiquette sur votre outil inclut les symboles suivants. Les symboles et leurs définitions sont :

SYMBOLE	NOM	DESCRIPTION
V	Volts	Tension (potentiel)
n_0	Vitesse à vide	Vitesse de rotation à vide
kg	Kilogrammes	Poids
	Courant direct	Type de courant
.../min	Tours par minute	Tours, vitesse de surface, courses, etc. par minute

DESCRIPTION FONCTIONNELLE

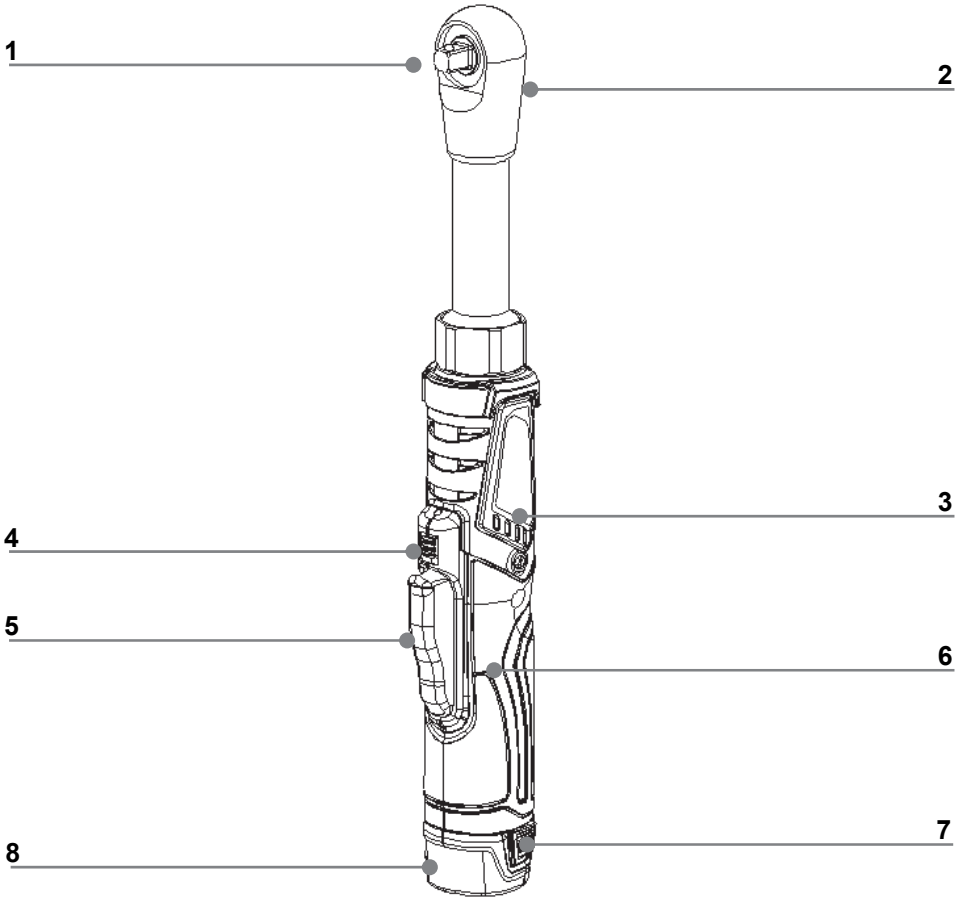


Fig. 1

COMMANDES ET COMPOSANTS:

- | | |
|--|----------------------------------|
| 1. Entraînement en sortie | 2. Levier marche avant / arrière |
| 3. Coque en aluminium | 4. Bouton de verrouillage |
| 5. Interrupteur à vitesse variable | 6. Poignée anti-dérapante |
| 7. Bouton de libération de la batterie | 8. Batterie |

Numéro de modèle	Unité	RW1216-3
Tension	Vcc	12
Entraînement	in.	Carré 3/8"
Max. Couple	ft-lbs/Nm	65 / 88
Vitesse à vide	tr/min	0-260
Poids de l'outil (avec batterie 2.0Ah)	lbs/kg	3.00 / 1.36

MONTAGE**INSTALLER OU RETIRER LA BATTERIE**

POUR RETIRER LA BATTERIE : Appuyez sur le bouton de libération de la batterie (voir Fig. 2A) et sortez la batterie de l'outil.

POUR INSTALLER LA BATTERIE : Poussez la batterie (voir Fig. 2B) dans l'outil jusqu'à ce qu'elle s'enclenche correctement.

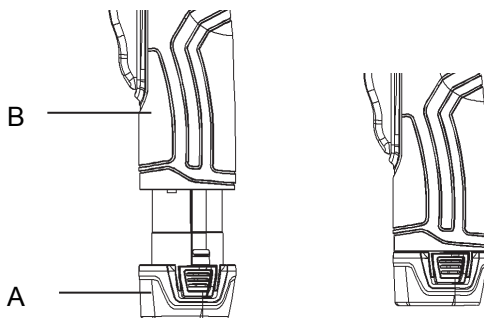


Fig. 2

INSTALLER LES DOUILLES

Respectez toujours la procédure ci-dessous pour installer une douille.

1. Insérez une douille dans carré d'entraînement (voir Fig.3).
2. Vérifiez que le foret est fixé dans le carré d'entraînement tout en cliquant sur la boule du carré d'entraînement.

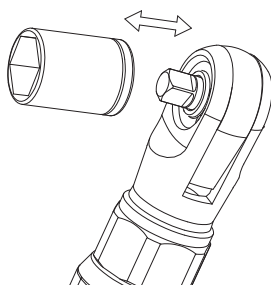


Fig. 3

RETIRER DES DOUILLES

Respectez toujours la procédure ci-dessous pour retirer une douille. Retirez la douille de l'enclume du disque de sortie directement. (voir Fig. 3)

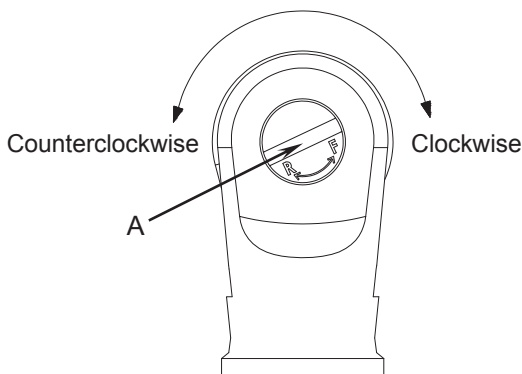
ATTENTION

Mettez toujours l'interrupteur (4) sur la position d'arrêt lorsque vous installez et retirez la prise ou empêchez l'allumage lorsque vous placez la clé sur le sac, la table de travail, l'armoire à outils ... etc.

LEVIER AVANT / ARRIÈRE

L'outil est équipé d'un levier de marche avant / arrière (voir Fig. 4A), qui a été conçu pour modifier la rotation de l'entraînement de sortie.

1. Pour la rotation vers l'avant, tournez le levier dans le sens inverse des aiguilles d'une montre jusqu'à la position "F".
2. Pour la rotation inverse, tournez le levier dans le sens des aiguilles d'une montre jusqu'à la position "R".



(Lecteur de sortie pointé loin de vous)

Fig. 4

REMARQUE

Vérifiez toujours le sens de rotation avant l'utilisation.

Veillez ne pas dépasser les spécifications et la portée d'utilisation en fonction de la conception, pour éviter de mettre en danger votre sécurité personnelle et pour éviter d'endommager l'outil.

1. Après une utilisation continue, la clé à cliquet pour rester inactif pendant 2 minutes avant de remplacer la batterie. La température du moteur, de l'interrupteur, etc., augmentera si vous travaillez immédiatement après le remplacement de la batterie, qui finalement s'épuisera.
2. Placez le point du boulon dans la douille. Gardez l'outil pointé directement sur le boulon.
3. Appliquez une pression sur l'outil pour empêcher la douille de sortir du boulon.
4. Pour commencer, allumez le tournevis/la clé à chocs. Vérifiez toujours le couple avec une clé dynamométrique. Le couple de serrage peut être affecté par plusieurs facteurs :

Tension : Une faible tension en raison d'une batterie presque déchargée réduira le couple de serrage.

Taille de la douille : Si vous n'utilisez pas la bonne taille de douille, cela causera une réduction du couple de serrage.

Interrupteur à vitesse variable : Si vous utilisez l'outil à une vitesse réduite, cela réduira le couple de serrage.

Taille du boulon : Des diamètres plus larges de boulon nécessitent généralement un couple de serrage plus élevé. Le couple de serrage varie également en fonction de la longueur, du grade et du coefficient de couple.

Matériau : Le type de matériau et la finition de la surface du matériau affectera le couple de serrage.

Temps de serrage : Des temps de serrage plus longs entraîneront une augmentation du couple de serrage. Si vous utilisez un temps de serrage plus long que le temps recommandé, les vis risquent d'être soumises à des tensions trop fortes, arrachées ou abimées.

REMARQUE

Une utilisation continue à des vitesses variables n'est pas recommandée. Ce type de fonctionnement peut endommager l'interrupteur et doit être évité.

REMARQUE

Quand vous changez la position du bouton de commande, assurez-vous que l'interrupteur de vitesse variable est relâché.

REMARQUE

La première fois que l'outil est démarré après un changement du sens de rotation, vous entendrez un clic au démarrage. Ceci est normal et n'indique pas un problème.

MAINTENANCE

AVERTISSEMENT

Retirez la batterie de cet outil avant de nettoyer.

REMARQUE

Cet outil est lubrifié avant de quitter l'usine. Cette lubrification dure toute la durée de vie de l'outil. Aucune lubrification supplémentaire n'est nécessaire.

NETTOYAGE

Avec le moteur allumé, soufflez pour extraire la saleté et la poussière des orifices d'aération avec de l'air sec au moins une fois par semaine. Portez des lunettes de sécurité quand vous faites ce nettoyage. Les composants extérieurs en plastiques peuvent être nettoyés avec un chiffon humide et un détergent doux. Bien que ces composants soient résistants aux solvants de nettoyage, n'utilisez JAMAIS de solvant.

ACCESSOIRES

Utilisez uniquement les accessoires recommandés par le fabricant pour votre modèle. Les accessoires adaptés à un outil peuvent devenir dangereux s'ils sont utilisés avec un autre outil.

Les accessoires recommandés pour votre outil sont disponibles auprès de votre centre de services local pour un coût supplémentaire.

IMPORTANT: Pour garantir la SÉCURITÉ et la FIABILITÉ, les réparations, la maintenance et les réglages doivent être effectués par des centres de services certifiés ou d'autres organisations de services agréées en utilisant toujours des pièces de rechange identiques.

PROTECTION DE L'ENVIRONNEMENT

Avant de jeter les composants endommagés, vérifiez auprès de votre agence de protection de l'environnement pour connaître les restrictions spécifiques concernant le recyclage des outils ou leur retour dans un centre de recyclage agréé.

Durofix



Pour le support technique, appelez le: 886-4-25683366

Adresse de service: Mobiletron Electronics Co., Ltd.

N ° 85, sec. 4, chemin Chung-Ching

Ta-Ya, Taichung, 428,

Taiwan

www.durofix.com.tw

GRACIAS POR ELEGIR ESTE PRODUCTO

Durofix le ofrece productos a un precio asequible y nos gustaría que quedara completamente satisfecho con este producto y nuestro soporte técnico. Si necesita ayuda o consejo, contacte con nosotros.

USO INTENCIONADO

Esta herramienta es sólo para uso personal.

Esta llave de impacto ha sido diseñada para quitar e instalar tornillos de rosca.

NORMAS DE SEGURIDAD GENERAL

ADVERTENCIA

LEA Y COMPRENDA TODAS LAS INSTRUCCIONES.

Si no sigue todas las instrucciones siguientes podría provocar descarga eléctrica, fuego y/o lesiones serias. El término "herramienta de potencia" en todas las advertencias listadas a continuación se refiere a su herramienta de potencia por corriente (con cable) o a herramienta de potencia (sin cable).

GUARDE ESTAS INSTRUCCIONES PARA SU REFERENCIA EN EL FUTURO

RECONOCER LOS SÍMBOLOS, PALABRAS Y ETIQUETAS DE SEGURIDAD

Las instrucciones de seguridad ofrecidas en este manual no pretenden cubrir todas las condiciones y prácticas posibles que puedan ocurrir al utilizar, mantener y limpiar las herramientas de corriente.

Utilice siempre el sentido común y preste especial atención a todos los avisos de **PELIGRO**, **ADVERTENCIA**, **PRECAUCIÓN** y **NOTA** en este manual.



Éste es el símbolo de alerta de seguridad. Se utiliza para avisarle de posibles peligros de lesiones personales. Siga todos los mensajes de seguridad junto a este símbolo para evitar posibles lesiones o muerte.

PELIGRO

PELIGRO indica una situación de peligro inminente que, si no se evita, tendrá como resultado la muerte o lesiones serias.

ADVERTENCIA

ADVERTENCIA indica una situación potencialmente peligrosa que, si no se evita, podría tener como consecuencia la muerte o lesiones serias.

Español

PRECAUCIÓN

PRECAUCIÓN indica una situación potencialmente peligrosa que, si no se evita, podría tener como consecuencia lesiones menores o moderadas.

NOTA

NOTA ofrece información adicional que resulta útil para un uso y mantenimiento adecuados de esta herramienta. Si ve una NOTA asegúrese de entenderla por completo.

IDENTIFICACIÓN DE LA ETIQUETA DE ADVERTENCIA



Lea los manuales antes de utilizar el producto.



Lleve protección para los ojos.



Lleve protección para los oídos.



Lleve máscara antipolvo.



Las herramientas con alimentación pueden vibrar al usarlas.



Mantenga el cuerpo firme y equilibrado. No se sobreesfuerce al utilizar esta herramienta.

NORMAS DE SEGURIDAD IMPORTANTES

PELIGRO

Cuando utilice herramientas de corriente, evite siempre respirar y exponerse al polvo o partículas dañinas.

ADVERTENCIA: El polvo creado por el lijado, serrado, pulido, taladrado y otras actividades de la construcción contiene químicos que provocan según el Estado de California cáncer, defectos de nacimiento u otros daños reproductivos.

Algunos ejemplos de estos químicos son:

- Plomo de pinturas basadas en plomo.
- Sílice cristalino de ladrillos y cemento y otros productos de obra, y arsénico y cromo de madera tratada químicamente.

Español

El riesgo que corre a estas exposiciones varía, dependiendo de la frecuencia con la que realice este tipo de trabajo. Para reducir su exposición a estos químicos: trabaje en un área bien ventilada, y con equipo de seguridad aprobado, como mascarillas antipolvo diseñadas especialmente para filtrar partículas microscópicas.

ADVERTENCIA: Si coge el cable de corriente de los productos con cable podría exponerle al plomo, un químico que provoca según el estado de California cáncer y defectos de nacimiento u otros daños reproductivos. *Lávese las manos tras manipularlos.*

ÁREA DE TRABAJO

ADVERTENCIA

Mantenga el área de trabajo limpia y bien iluminada. Las áreas atestadas y oscuras invitan a los accidentes.

No utilice herramientas de potencia en atmósferas explosivas, como en presencia de líquidos inflamables, gases o polvo. Las herramientas de potencia crean chispas que pueden prender el polvo o el humo.

Mantenga a los niños y curiosos lejos de una herramienta de potencia. Las distracciones pueden provocar que pierda el control de la máquina.

SEGURIDAD ELÉCTRICA

ADVERTENCIA

Evite el contacto del cuerpo con superficies conectadas a tierra como tuberías, radiadores, cocinas y neveras. Existe un mayor riesgo de descarga eléctrica si su cuerpo está en contacto con tierra.

No exponga las herramientas de potencia a la lluvia o ambientes húmedos. Si entra agua en una herramienta de potencia aumentará el riesgo de descarga.

SEGURIDAD PERSONAL

ADVERTENCIA

Manténgase atento, mire lo que está haciendo y utilice el sentido común cuando trabaje con una herramienta de potencia. No utilice una herramienta de potencia si está cansado o bajo la influencia de drogas, alcohol o medicación. Un momento de distracción durante la utilización de herramientas de potencia puede resultar en graves lesiones personales.

Utilice equipo de seguridad. Lleve siempre protección en los ojos. El equipo de seguridad como una máscara antipolvo, zapatos de seguridad antideslizantes, casco duro y protección auditiva, cuando se utiliza en las condiciones adecuadas, reducirá las lesiones personales.

Retire cualquier llave de ajuste antes de encender la herramienta de potencia. Si deja una llave colocada en una parte giratoria de la herramienta de potencia puede provocar lesiones personales.

No realice sobreesfuerzos. Manténgase bien apoyado y equilibrado con los pies en todo momento. Esto permite un mejor control de la herramienta de potencia en situaciones inesperadas.

Lleve ropa apropiada. No lleve ropa suelta ni joyas. Mantenga el pelo, ropa y guantes alejados de las partes móviles. Las ropas sueltas, joyas o pelo largo pueden atascarse en las partes móviles.

Si hay dispositivos para la extracción y colecta de polvo, asegúrese de que se conectan y se utilizan correctamente. El uso de estos dispositivos puede reducir peligros relacionados con el polvo.

USO Y CUIDADOS DE LA HERRAMIENTA

PRECAUCIÓN

Utilice abrazaderas u otros medios para asegurar y apoyar la pieza de trabajo en una plataforma segura. Si aguanta la pieza de trabajo con la mano contra su cuerpo, podría desestabilizarse y provocar la pérdida del control.

No fuerce la herramienta. Utilice la herramienta correcta para su aplicación. La herramienta correcta realizará el trabajo mejor y de forma más segura si se utiliza con las especificaciones designadas.

No utilice la herramienta si el interruptor no la enciende y la apaga. Una herramienta que no puede controlarse con el interruptor es peligrosa y debe repararse.

Desconecte la batería de la herramienta o coloque el interruptor en la posición de bloqueo o apagado antes de realizar cualquier ajuste, cambio de accesorios o cuando guarde la herramienta. Estas medidas de seguridad preventivas reducen el riesgo de que la herramienta se active accidentalmente.

Guarde las herramientas fuera del alcance de los niños y otras personas inexpertas. Las herramientas son peligrosas en manos de usuarios inexpertos.

Cuando no utilice la batería, guárdela alejada de otros objetos de metal como: clips para papel, monedas, llaves, clavos, tornillos u otros objetos de metal pequeños que pueden provocar la conexión de un terminal a otro. Si los terminales de la batería se unen podría provocar chispas, quemaduras o un fuego.

Tenga cuidado con el mantenimiento de las herramientas. Mantenga las herramientas de corte afiladas y limpias. Las herramientas correctamente mantenidas con los bordes de corte afilados son menos propensas a doblarse y más fáciles de controlar.

Compruebe si hay partes desviadas o dobladas, partes rotas o cualquier otro estado que pueda afectar a la operación de la herramienta. Si se daña, lleve la herramienta para que la reparen antes de volver a utilizarla. Muchos accidentes son provocados por herramientas con un mantenimiento incorrecto.

Utilice solamente accesorios recomendados por el fabricante para su modelo. Los accesorios que pueden ser apropiados para una herramienta podrían suponer un riesgo de lesión si se utilizan en otra herramienta.

USO Y CUIDADOS DE LA BATERÍA DE LA HERRAMIENTA

PRECAUCIÓN

Asegúrese de que el interruptor esté apagado antes de insertar la batería. Si inserta la batería en herramientas de potencia con el interruptor encendido activado, podría tener accidentes.

Recargar sólo con el cargador especificado por el fabricante. Un cargador apropiado para un tipo de batería puede suponer un riesgo si se utiliza con otra batería distinta.

Utilice herramientas de potencia sólo con las baterías específicamente designadas. El uso de cualquier otra batería podría provocar lesiones y fuego.

Cuando una batería no se utiliza, guárdela lejos de otros objetos de metal como clips para papel, monedas, llaves, clavos, tornillos u otros pequeños objetos de metal que puedan conectar un terminal con otro. Si los terminales de la batería se unen podría provocar quemaduras o un fuego.

En condiciones de uso abusivo, podría salir líquido de la batería; evite el

contacto directo. Si entra en contacto accidental, lávese bien con agua. Si el líquido entra en contacto con los ojos, además de lavarse, busque ayuda médica. El líquido expulsado de una batería puede causar irritación o quemaduras.

SERVICIO

Lleve su herramienta de potencia para su reparación a un técnico cualificado que utilice sólo partes de repuesto idénticas. Esto hará que la herramienta de potencia mantenga su seguridad.

Las reparaciones de la herramienta deben ser realizadas sólo por personal técnico cualificado. La reparación o mantenimiento realizados por personal no cualificado podría provocar el riesgo de lesiones.

Cuando repare una herramienta, utilice solamente partes de repuesto idénticas. Siga las instrucciones de la sección Mantenimiento en este manual. El uso de partes no autorizadas o si no sigue las instrucciones de mantenimiento puede provocar el riesgo de descarga o lesiones.

NORMAS Y SÍMBOLOS DE SEGURIDAD ESPECÍFICOS

PRECAUCIÓN

Sostenga la herramienta por sus superficies de agarre aisladas cuando realice una operación donde la herramienta de corte pueda contactar con el cableado oculto. El contacto con un cable 'vivo' también expondrá las partes metálicas de la herramienta en 'vivo' y descargar en el usuario.

Tenga en cuenta que esta herramienta siempre está dispuesta para su funcionamiento, pues no tiene que ser enchufada en un enchufe eléctrico. Coloque siempre el interruptor en la posición de bloqueo OFF cuando instale o quite la batería o las brocas.

No utilice brocas o llaves más grandes que los recomendados. Las brocas o llaves grandes pueden sobrecargar el taladro/destornillador y dañar al motor y los engranajes.

No utilizar si el portabrocas u otros componentes están rotos o desgastados.

Nunca cambie la dirección o rotación hasta que el motor se haya detenido por completo.

Nunca sostenga el material de trabajo en la mano, rodillas o contra otras partes del cuerpo mientras utiliza el taladro.

No utilice la broca como guía ni intente agrandar o ensanchar agujeros torciendo la broca. Las brocas pueden romperse y provocar lesiones.

Español

Mantenga las manos alejadas de las partes giratorias.

Mantenga la broca alejada de usted y todos los objetos mientras la instala o la quita.

Algunas maderas contienen sustancias conservadoras que pueden ser tóxicas. Tenga especial cuidado para evitar la inhalación y el contacto con la piel cuando trabaje con estos materiales. Pida, y siga, toda la información de seguridad disponible de su proveedor de materiales.

SÍMBOLOS

La etiqueta de la herramienta puede incluir los símbolos siguientes. Los símbolos y sus definiciones son los siguientes:

SÍMBOLO	NOMBRE	EXPLICACIÓN
V	Voltios	Voltaje (potencial)
No	Sin Velocidad de Carga	Velocidad rotatoria sin carga
kg	Kilogramos	Peso
==	Corriente Directa (DC)	Tipo de corriente
.../min	Revoluciones por Minuto	Revoluciones, velocidad de superficie, impactos, etc. por minuto

DESCRIPCIÓN DE LAS FUNCIONES

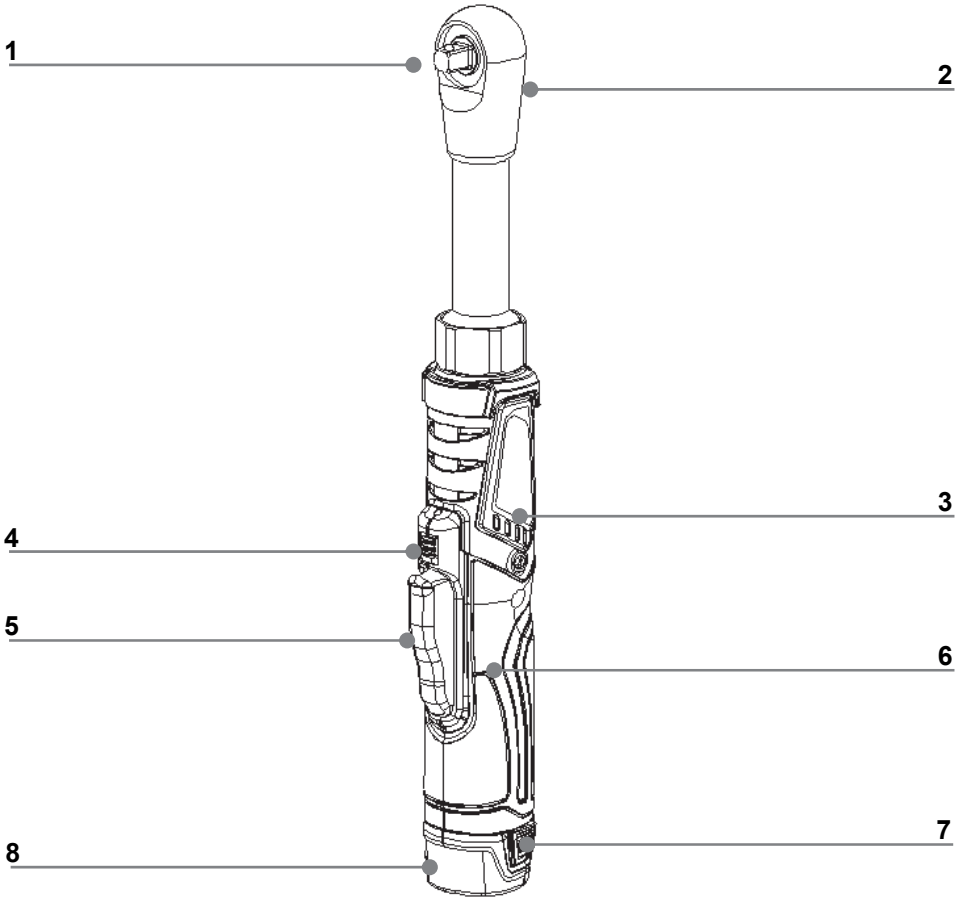


Fig. 1

CONTROLES Y COMPONENTES:

- | | |
|--------------------------------------|--------------------------------|
| 1. Salida eje | 2. Palanca Adelante / Atrás |
| 3. Carcasa de aluminio | 4. Botón de bloqueo |
| 5. Interruptor de velocidad variable | 6. Agarre suave antideslizante |
| 7. Botón de liberación de la batería | 8. Batería |

ESPECIFICACIONES

Número de modelo	Une	RW1216-3
Voltaje	V d.c.	12
Eje	in.	3/8"sq.
Máx. Torque	ft-lbs/Nm	65 / 88
Sin Velocidad de Carga	rpm	0-260
Peso de la herramienta (con batería 2.0Ah)	lbs/kg	3.00 / 1.36

MONTAJE**INSTALAR O QUITAR LA BATERÍA**

PARA QUITAR LA BATERÍA: Suelte el botón de liberación de la batería (ver Fig. 2A) y tire de la batería para sacarla.

PARA INSTALAR LA BATERÍA: Introduzca la batería (ver Fig. 2B) en la herramienta hasta que quede bloqueada en su lugar.

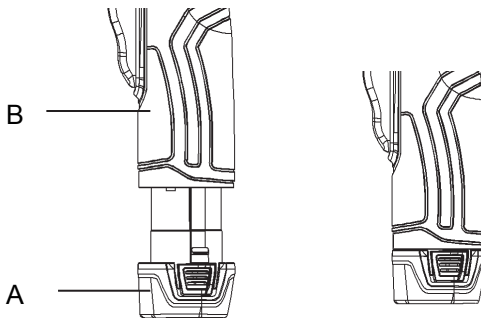


Fig. 2

INSTALACIÓN DE ACCESORIOS

Siempre siga los procedimientos siguientes para instalar un accesorio.

1. Inserte un accesorio en el eje (ver Fig. 3).
2. Asegúrese de que la broca está fija en el eje cuando haga clic en la bola del eje.

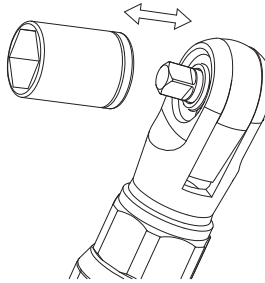


Fig. 3

QUITAR ACCESORIOS

Siempre siga los procedimientos siguientes para quitar un accesorio. Extraiga el zócalo del yunque de la unidad de salida directamente. (ver Fig. 3)

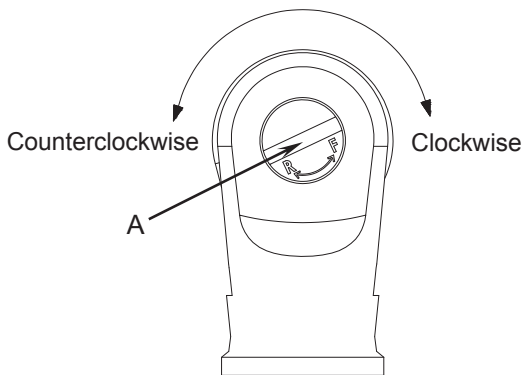
⚠ PRECAUCIÓN

Ajuste siempre el interruptor (4) a la posición de desactivado cuando instale o quite un accesorio o evite que se encienda cuando la llave en la bolsa, la mesa de trabajo, el armario de herramientas ... etc.

PALANCA HACIA ADELANTE / INVERSA

La herramienta está equipada con una palanca de avance / retroceso (vea la Fig. 4A), que fue diseñada para cambiar la rotación de la unidad de salida.

1. Para la rotación hacia adelante, gire el antihorario a la posición "F".
2. Para la rotación inversa, gire el reloj en el sentido de las agujas del reloj a la posición "R".



(unidad de salida apuntando lejos de ti)

Fig. 4

NOTA

Compruebe siempre la dirección de rotación antes de usar.

No exceda las especificaciones y el alcance de uso según el diseño, para evitar poner en peligro su seguridad personal y evitar dañar la herramienta.

1. Tras un uso continuado, deje que la llave de trinquete permanezca inactiva durante 2 minutos antes de reemplazar la batería. La temperatura del motor, interruptor, etc, subirá si comienza a trabajar inmediatamente tras cambiar una batería, pudiendo quemarse.
2. Coloque la punta del tornillo en el accesorio. Mantenga la herramienta apuntando derecha hacia el tornillo.
3. Aplique presión adelante en la herramienta para evitar que el accesorio se salga del tornillo.
4. Para comenzar, encienda la llave/destornillador de impacto. Compruebe siempre el torque con una llave de torque. El torque de agarre puede ser afectado por muchos factores, incluyendo los siguientes:

Voltaje: Bajo voltaje debido a una batería casi descargada reducirá el torque de agarre.

Tamaño del accesorio: Si no utiliza un accesorio con el tamaño correcto, provocará una reducción en el torque de agarre.

Interruptor de disparo de velocidad variable: La utilización de la herramienta a una velocidad baja reducirá el torque de agarre.

Tamaño del tornillo: Los tornillos de diámetro más grande generalmente necesitan un torque de agarre más alto. El torque de agarre también variará según la longitud, grado y coeficiente de torque.

Material: El tipo de material y el acabado de la superficie del material afectarán al torque de agarre.

Tiempo de agarre: Un tiempo de agarre más largo resulta en un aumento del torque de agarre. Si utiliza un tiempo de agarre más largo que el recomendado podría hacer que los tornillos se fueren demasiado, se desgarren o se dañen.

NOTA

No se recomienda el uso continuado a velocidad variable. Puede dañar el interruptor y debería evitarse.

NOTA

Cuando cambie la posición del botón de control, asegúrese de que el control de cambio de velocidad está suelto.

NOTA

La primera vez que la herramienta se utiliza tras cambiar la dirección de rotación, puede que escuche un clic al inicio. Esto es normal y no indica ningún problema.

MANTENIMIENTO

**ADVERTENCIA**

Quite la batería de la herramienta antes de usar disoluciones de limpieza.

NOTA

Esta herramienta ha sido lubricada antes de salir de fábrica. El lubricante debería durar hasta el final de la vida útil de la herramienta. No necesita más lubricación.

LIMPIEZA

Con el motor en funcionamiento, sople la suciedad y el polvo de las rejillas de ventilación con aire seco al menos una vez a la semana. Lleve gafas de seguridad cuando realice esto. Las partes de plástico exteriores pueden limpiarse con un trapo húmedo y detergente suave. Aunque estas partes son muy resistentes a disolventes, NUNCA utilice disolvente.

ACCESORIOS

Utilice solamente accesorios recomendados por el fabricante para su modelo. Los accesorios que pueden ser útiles para una herramienta pueden convertirse en peligrosos al utilizarlos en otra herramienta.

Los accesorios recomendados para usarlos con la herramienta están disponibles para su compra en su centro local de servicios.

IMPORTANTE: Para una mayor SEGURIDAD y FIABILIDAD del producto, las reparaciones, mantenimiento y ajustes deberán realizarse en centros de servicio oficiales u otros servicios técnicos cualificados, utilizando siempre componentes idénticos.

PROTECCIÓN DEL MEDIOAMBIENTE

Antes de tirar una unidad dañada, consulte a su Agencia de Protección Medioambiental si existen restricciones especiales sobre la retirada de herramientas o para devolverlas a un centro de servicios para su reciclaje.

Durofix



Para soporte técnico, llame al: 886-4-25683366

Dirección del servicio: Mobiletron Electronics Co., Ltd.

No. 85, Sec. 4, Chung-Ching Rd.

Ta-Ya, Taichung, 428,

Taiwán

www.durofix.com.tw

