



ARW1218-3

CORDLESS RATCHET WRENCH

PRODUCT INFORMATION MANUAL

Manual información del producto

English

Español



THIS MANUAL CONTAINS IMPORTANT INFORMATION REGARDING SAFETY, OPERATION, MAINTENANCE AND STORAGE OF THIS PRODUCT.

ESTE MANUAL CONTIENE INFORMACIÓN IMPORTANTE ACERCA DE LA SEGURIDAD, FUNCIONAMIENTO, MANTENIMIENTO Y ALMACENAMIENTO DE ESTE PRODUCTO.

DO NOT ATTEMPT TO OPERATE THE TOOL UNTIL YOU HAVE READ AND UNDERSTOOD ALL INSTRUCTIONS AND SAFETY RULES CONTAINED IN THIS MANUAL. FAILURE TO COMPLY MAY RESULT IN ACCIDENTS INVOLVING FIRE, ELECTRIC SHOCK, OR SERIOUS PERSONAL INJURY. SAVE THIS OWNER'S MANUAL FOR FUTURE REFERENCE AND REVIEW IT FREQUENTLY FOR SAFE OPERATION.

NO UTILICE ESTA HERRAMIENTA HASTA HABER LEÍDO Y COMPRENDIDO TODAS LAS INSTRUCCIONES Y NORMAS DE SEGURIDAD CONTENIDAS EN ESTE MANUAL. SI NO LO HACE PODRÍA PROVOCAR ACCIDENTES CON FUEGO, DESCARGA ELÉCTRICA O LESIONES PERSONALES SERIAS. GUARDE ESTE MANUAL DE INSTRUCCIONES PARA SU CONSULTA EN EL FUTURO Y REVÍSELO FRECUENTEMENTE PARA UN USO SEGURO.



THANKS FOR CHOOSING THIS PRODUCT

ACDelco provides you with products at an affordable price, and we would like you to be fully satisfied with this product and our technical support. If any help or advice is needed, please kindly contact us.

INTENDED USE

This tool is intended for personal use only.

This Ratchet Wrench is designed to remove and install threaded fasteners.

GENERAL SAFETY RULES

WARNING

READ AND UNDERSTAND ALL INSTRUCTIONS.

Failure to follow all instructions listed below may result in electric shock, fire and/or serious injury. The term "power tool" in all of the warnings listed below refers to your mains-operated (corded) power tool or battery-operated (cordless) power tool.

SAVE THESE INSTRUCTIONS FOR FUTURE REFERENCE

RECOGNIZE SAFETY SYMBOLS, WORDS AND LABELS

The safety instructions provided in this manual are not intended to cover all possible conditions and practices that may occur when operating, maintaining and cleaning power tools.

Always use common sense and pay particular attention to all the **DANGER**, **WARNING**, **CAUTION** and **NOTE** statements of this manual.



This is the safety alert symbol. It is used to alert you to potential personal injury hazards. Obey all safety messages that follow this symbol to avoid possible injury or death.

DANGER

DANGER indicates an imminently hazardous situation which, if not avoided, will result in death or serious injury.

WARNING

WARNING indicates a potentially hazardous situation which, if not avoided, could result in death or serious injury.

CAUTION

CAUTION indicates a potentially hazardous situation which, if not avoided, may result in minor or moderate injury.

NOTE

NOTE provides additional information that is useful for proper use and maintenance of this tool. If a **NOTE** is indicated make sure it is fully understood.

WARNING LABEL IDENTIFICATION



Read Manuals Before Operating Product.



Wear Eye Protection.



Wear Hearing Protection.



Wear Dust Mask.



Power tools can vibrate in use.



Keep body stance balanced and firm. Do not overreach when operating this tool.

IMPORTANT SAFETY RULES

DANGER

When using power tools, always prevent exposure and breathing of harmful dust and particles.

WARNING: Some dust created by power sanding, sawing, grinding, drilling and other construction activities contains chemicals known to the State of California to cause cancer, birth defects or other reproductive harm.

Some examples of these chemicals are:

- Lead from lead-based paints.
- Crystalline silica from bricks and cement and other masonry products, and arsenic and chromium from chemically-treated lumber.

Your risk from these exposures varies, depending on how often you do this type of work. To reduce your exposure to these chemicals: work in a well ventilated area, and work with approved safety equipment, such as dust masks that are specially designed to filter out microscopic particles.

WARNING: Handling the power cord on corded products may expose you to lead, a chemical known to the State of California to cause cancer and birth defects or other reproductive harm. *Wash hands after handling.*

WORK AREA

WARNING

Keep work area clean and well lit. Cluttered and dark areas invite accidents.

English

Do not operate power tools in explosive atmospheres, such as in the presence of flammable liquids, gases or dust. Power tools create sparks which may ignite the dust or fumes.

Keep children and bystanders away while operating a power tool. Distractions can cause you to lose control.

ELECTRICAL SAFETY

WARNING

Avoid body contact with earthed or grounded surfaces such as pipes, radiators, ranges and refrigerators. There is an increased risk of electric shock if your body is earthed or grounded.

Do not expose power tools to rain or wet conditions. Water entering a power tool will increase the risk of electric shock.

PERSONAL SAFETY

WARNING

Stay alert, watch what you are doing and use common sense when operating a power tool. Do not use a power tool while you are tired or under the influence of drugs, alcohol or medication. A moment of inattention while operating power tools may result in serious personal injury.

Use safety equipment. Always wear eye protection. Safety equipment such as dust mask, non-skid safety shoes, hard hat, or hearing protection used for appropriate conditions will reduce personal injuries.

Remove any adjusting key or wrench before turning the power tool on. A wrench or a key left attached to a rotating part of the power tool may result in personal injury.

Do not overreach. Keep proper footing and balance at all times. This enables better control of the power tool in unexpected situations.

Dress properly. Do not wear loose clothing or jewellery. Keep your hair, clothing and gloves away from moving parts. Loose clothes, jewellery or long hair can be caught in moving parts.

If devices are provided for the connection of dust extraction and collection facilities, ensure these are connected and properly used. Use of these devices can reduce dust-related hazards.

TOOL USE AND CARE

CAUTION

Use clamps or other practical way to secure and support the workpiece to a

stable platform. Holding the work by hand or against your body is unstable and may lead to loss of control.

Do not force tool. Use the correct tool for your application. The correct tool will do the job better and safer at the rate for which it is designed.

Do not use tool if switch does not turn it on or off. A tool that cannot be controlled with the switch is dangerous and must be repaired.

Disconnect battery pack from tool or place the switch in the locked or off position before making any adjustments, changing accessories, or storing the tool. Such preventive safety measures reduce the risk of starting the tool accidentally.

Store idle tools out of reach of children and other untrained persons. Tools are dangerous in the hands of untrained users.

When battery pack is not in use, keep it away from other metal objects like: paper clips, coins, keys, nails, screws, or other small metal objects that can make a connection from one terminal to another. Shorting the battery terminals together may cause sparks, burns, or a fire.

Maintain tools with care. Keep cutting tools sharp and clean. Properly maintained tools with sharp cutting edge are less likely to bind and are easier to control.

Check for misalignment or binding of moving parts, breakage of parts, and any other condition that may affect the tool's operation. If damaged, have the tool serviced before using. Many accidents are caused by poorly maintained tools.

Use only accessories that are recommended by the manufacturer for your model. Accessories that may be suitable for one tool may create a risk of injury when used on another tool.

BATTERY TOOL USE AND CARE

CAUTION

Ensure the switch is in the off position before inserting battery pack. Inserting the battery pack into power tools that have the switch on invites accidents.

Recharge only with the charger specified by the manufacturer. A charger that is suitable for one type of battery pack may create a risk of fire when used with another battery pack.

Use power tools only with specifically designated battery packs. Use of any other battery packs may create a risk of injury and fire.

When battery pack is not in use, keep it away from other metal objects like paper clips, coins, keys, nails, screws, or other small metal objects that can make a connection from one terminal to another. Shorting the battery terminals together may cause burns or a fire.

Under abusive conditions, liquid may be ejected from the battery; avoid contact. If contact accidentally occurs, flush with water. If liquid contacts eyes, additionally seek medical help. Liquid ejected from the battery may cause irritation or burns.

English

SERVICE

Have your power tool serviced by a qualified repair person using only identical replacement parts. This will ensure that the safety of the power tool is maintained.

Tool service must be performed only by qualified repair personnel. Service or maintenance performed by unqualified personnel may result in a risk of injury.

When servicing a tool, use only identical replacement parts. Follow instructions in the Maintenance section of this manual. Use of unauthorized parts or failure to follow Maintenance Instructions may create a risk of shock or injury.

SPECIFIC SAFETY RULES AND SYMBOLS

CAUTION

Hold tool by insulated gripping surfaces when performing an operation where the cutting tool may contact hidden wiring. Contact with 'live' wire will also make exposed metal parts of the tool 'live' and shock the operator.

Be aware that this tool is always in an operating condition, because it does not have to be plugged into an electrical outlet. Always set the trigger switch to the locked OFF position when installing or removing the battery pack or bits.

Do not use bits or sockets larger than those recommended. Large bits or drills may overload the wrench/driver and damage the motor and gears.

Do not use if chuck jaws or other parts are cracked or worn.

Never change direction of rotation until motor has completely stopped.

Never hold work in your hand, lap, or against other parts of your body when driving.

Do not use drill as a router or try to elongate or enlarge holes by twisting the drill bit. Drill bits may break and cause injury.

Keep hands away from rotating parts.

Keep drill bit clear of yourself and all objects while installing and removing bit.

Some wood contains preservatives which can be toxic. Take extra care to prevent inhalation and skin contact when working with these materials. Request, and follow, all safety information available from your material supplier.

SYMBOLS

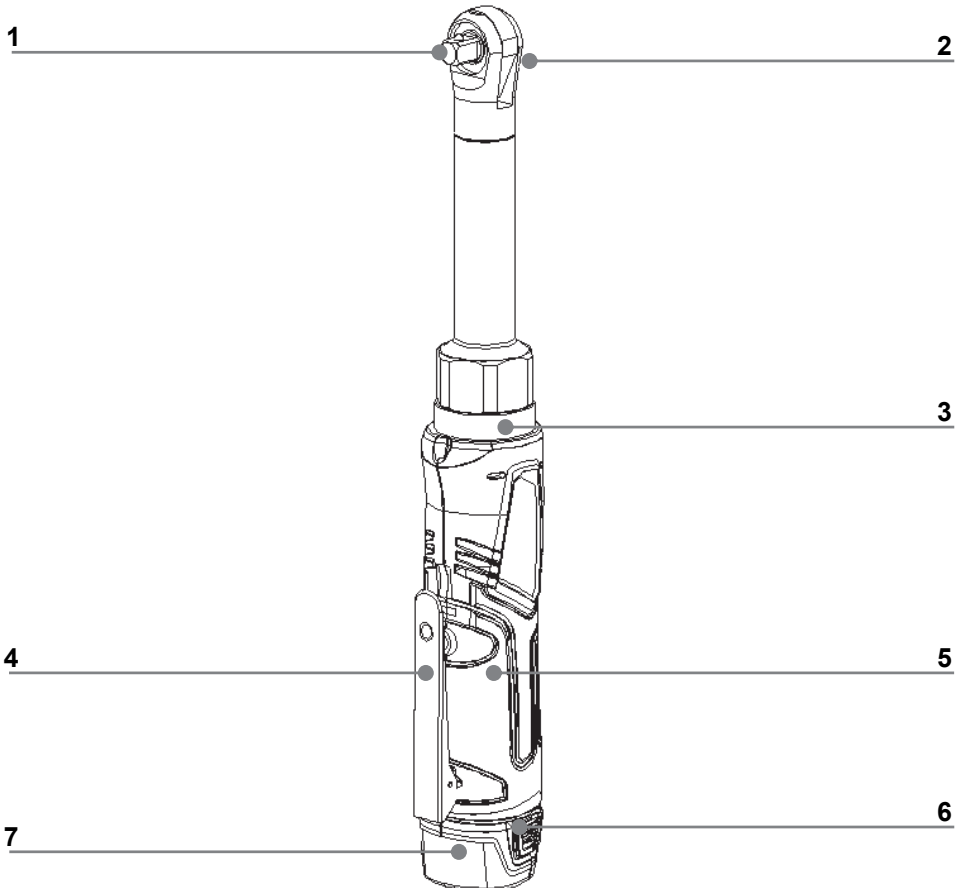
The label on your tool may include the following symbols. The symbols and their definitions are as follows:

SYMBOL	NAME	EXPLANATION
--------	------	-------------

English

V	Volts	Voltage (potential)
no	No Load Speed	No-load Rotational Speed
kg	Kilograms	Weight
==	Direct Current	Type of Current
.../min	Revolutions per Minute	Revolutions, Surface Speed, Strokes, etc. per Minute

FUNCTIONAL DESCRIPTION



CONTROLS AND COMPONENTS:

1. Output Drive
2. Forward / Reverse Lever
3. Nut
4. ON/OFF Switch
5. Anti-slip Soft Grip
6. Battery Pack Release Button
7. Battery Pack

English

SPECIFICATIONS

Model Number	ARW1218-3
Voltage	12 Vdc
Drive	3/8" Square
Max. Torque	40 ft-lbs (55 Nm)
No Load Speed	250 RPM
Tool Weight	2.75 lbs (1.25 kg)

ASSEMBLY

INSTALLING OR REMOVING BATTERY PACK

TO REMOVE BATTERY PACK: Depress the battery pack release button (6) and pull the battery pack (7) out of tool.

TO INSTALL BATTERY PACK: Push the battery pack (7) onto tool until it locks in place.

INSTALLING SOCKETS

Always follow the procedure below to install a socket.

1. Insert a socket into the anvil (1).
2. Make sure the bit is fixed in the anvil while clicking on the ball of the anvil.

REMOVING SOCKETS

Always follow the procedure below to remove a socket.

CAUTION

Always set switch (4) to off position when installing and removing socket.

OPERATION

NOTE

Always check the direction of the rotation before use.

Please do not exceed the specification and scope of use based on the design, to avoid endangering your personal safety and to prevent damaging the tool.

1. After continuous use, allow the impact wrench to sit idle for 15 minutes before replacing the battery. The temperature of the motor, switch, etc., will rise if the work is started again immediately after the battery has been changed, eventually resulting in burned-out.
2. Place the point of the bolt in the socket. Keep the tool pointed straight at the bolt.
3. Apply forward pressure to the tool to prevent the socket from slipping off the bolt.
4. To start, turn impact wrench/driver on. Always check torque with a torque wrench. The fastening torque can be affected by many factors including the following:

English

Voltage: Low voltage due to a nearly discharged battery will reduce the fastening torque.

Socket Size: Failure to use the correct socket size will cause a reduction in fastening torque.

Bolt Size: Larger bolt diameters generally require higher fastening torque. Fastening torque will also vary according to length, grade, and torque coefficient.

Material: The type of material and surface finish of the material will affect fastening torque.

Fastening Time: Longer fastening time results in increased fastening torque. Using a longer fastening time than recommended could cause the screws to be overstressed, stripped or damaged.

NOTE

Waiting around 3 seconds then press trigger to start the operation after install the battery.

NOTE

Continuous use in variable speed range is not recommended. It may damage the switch and should be avoided.

NOTE

When change the position of the control button, making sure the variable speed switch is released.

NOTE

The first time the tool is run after changing the direction of rotation, you may hear a click on start up. This is normal and does not indicate a problem.

MAINTENANCE

WARNING

Remove the battery pack from this tool before cleaning solutions.

NOTE

This tool is lubricated before it leaves the factory. This lubrication should last for the life of the tool. No further lubrication is required.

CLEANING

With the motor running, blow dirt and dust out of all air vents with dry air at least once a week. Wear safety glasses when performing this. Exterior plastic parts may be cleaned a damp cloth and mild detergent. Although these parts are highly solvent resistant, NEVER use solvent.

ACCESSORIES

Use only accessories that are recommended by the manufacturer for your model. Accessories that may be suitable for one tool may become hazardous when used on another tool.

Recommended accessories for use with your tool are available at extra cost from your local service center.

IMPORTANT: To assure product SAFETY and RELIABILITY, repairs, maintenance and adjustments should be performed by certified service centers or other qualified service organizations, always using identical replacement parts.

PROTECTING THE ENVIRONMENT

Before disposing of damaged, check with your state Environmental Protection Agency to find out about special restrictions on the disposal of tool or return them to a certified service center for recycling.



ACDelco, ACDelco Emblem and the ACDelco related graphics are General Motors Trademarks used under license to Mobiletron Electronics Co., Ltd.

GRACIAS POR ELEGIR ESTE PRODUCTO

ACDelco le ofrece productos a un precio asequible y nos gustaría que quedara completamente satisfecho con este producto y nuestro soporte técnico. Si necesita ayuda o consejo, contacte con nosotros.

USO INTENCIONADO

Esta herramienta es sólo para uso personal.

Esta llave de impacto ha sido diseñada para quitar e instalar tornillos de rosca.

NORMAS DE SEGURIDAD GENERAL

ADVERTENCIA

LEA Y COMPRENDA TODAS LAS INSTRUCCIONES.

Si no sigue todas las instrucciones siguientes podría provocar descarga eléctrica, fuego y/o lesiones serias. El término "herramienta de potencia" en todas las advertencias listadas a continuación se refiere a su herramienta de potencia por corriente (con cable) o a herramienta de potencia (sin cable).

GUARDE ESTAS INSTRUCCIONES PARA SU REFERENCIA EN EL FUTURO

RECONOCER LOS SÍMBOLOS, PALABRAS Y ETIQUETAS DE SEGURIDAD

Las instrucciones de seguridad ofrecidas en este manual no pretenden cubrir todas las condiciones y prácticas posibles que puedan ocurrir al utilizar, mantener y limpiar las herramientas de corriente.

Utilice siempre el sentido común y preste especial atención a todos los avisos de **PELIGRO, ADVERTENCIA, PRECAUCIÓN y NOTA** en este manual.



Éste es el símbolo de alerta de seguridad. Se utiliza para avisarle de posibles peligros de lesiones personales. Siga todos los mensajes de seguridad junto a este símbolo para evitar posibles lesiones o muerte.

PELIGRO

PELIGRO indica una situación de peligro inminente que, si no se evita, tendrá como resultado la muerte o lesiones serias.

ADVERTENCIA

ADVERTENCIA indica una situación potencialmente peligrosa que, si no se evita, podría tener como consecuencia la muerte o lesiones serias.

⚠ PRECAUCIÓN

PRECAUCIÓN indica una situación potencialmente peligrosa que, si no se evita, podría tener como consecuencia lesiones menores o moderadas.

NOTA

NOTA ofrece información adicional que resulta útil para un uso y mantenimiento adecuados de esta herramienta. Si ve una **NOTA** asegúrese de entenderla por completo.

IDENTIFICACIÓN DE LA ETIQUETA DE ADVERTENCIA



Lea los manuales antes de utilizar el producto.



Lleve protección para los ojos.



Lleve protección para los oídos.



Lleve máscara antipolvo.



Las herramientas con alimentación pueden vibrar al usarlas.



Mantenga el cuerpo firme y equilibrado. No se sobreesfuerce al utilizar esta herramienta.

NORMAS DE SEGURIDAD IMPORTANTES

⚠ PELIGRO

Cuando utilice herramientas de corriente, evite siempre respirar y exponerse al polvo o partículas dañinas.

ADVERTENCIA: El polvo creado por el lijado, serrado, pulido, taladrado y otras actividades de la construcción contiene químicos que provocan según el Estado de California cáncer, defectos de nacimiento u otros daños reproductivos.

Algunos ejemplos de estos químicos son:

- Plomo de pinturas basadas en plomo.
- Sílice cristalino de ladrillos y cemento y otros productos de obra, y arsénico y cromo de madera tratada químicamente.

El riesgo que corre a estas exposiciones varía, dependiendo de la frecuencia con la que realice este tipo de trabajo. Para reducir su exposición a estos químicos: trabaje en un área bien ventilada, y con equipo de seguridad aprobado, como mascarillas

Español

antipolvo diseñadas especialmente para filtrar partículas microscópicas.

ADVERTENCIA: Si coge el cable de corriente de los productos con cable podría exponerle al plomo, un químico que provoca según el estado de California cáncer y defectos de nacimiento u otros daños reproductivos. *Lávese las manos tras manipularlos.*

ÁREA DE TRABAJO

ADVERTENCIA

Mantenga el área de trabajo limpia y bien iluminada. Las áreas atestadas y oscuras invitan a los accidentes.

No utilice herramientas de potencia en atmósferas explosivas, como en presencia de líquidos inflamables, gases o polvo. Las herramientas de potencia crean chispas que pueden prender el polvo o el humo.

Mantenga a los niños y curiosos lejos de una herramienta de potencia. Las distracciones pueden provocar que pierda el control de la máquina.

SEGURIDAD ELÉCTRICA

ADVERTENCIA

Evite el contacto del cuerpo con superficies conectadas a tierra como tuberías, radiadores, cocinas y neveras. Existe un mayor riesgo de descarga eléctrica si su cuerpo está en contacto con tierra.

No exponga las herramientas de potencia a la lluvia o ambientes húmedos. Si entra agua en una herramienta de potencia aumentará el riesgo de descarga.

SEGURIDAD PERSONAL

ADVERTENCIA

Manténgase atento, mire lo que está haciendo y utilice el sentido común cuando trabaje con una herramienta de potencia. No utilice una herramienta de potencia si está cansado o bajo la influencia de drogas, alcohol o medicación. Un momento de distracción durante la utilización de herramientas de potencia puede resultar en graves lesiones personales.

Utilice equipo de seguridad. Lleve siempre protección en los ojos. El equipo de

seguridad como una máscara antipolvo, zapatos de seguridad antideslizantes, casco duro y protección auditiva, cuando se utiliza en las condiciones adecuadas, reducirá las lesiones personales.

Retire cualquier llave de ajuste antes de encender la herramienta de potencia. Si deja una llave colocada en una parte giratoria de la herramienta de potencia puede provocar lesiones personales.

No realice sobreesfuerzos. Manténgase bien apoyado y equilibrado con los pies en todo momento. Esto permite un mejor control de la herramienta de potencia en situaciones inesperadas.

Lleve ropa apropiada. No lleve ropa suelta ni joyas. Mantenga el pelo, ropa y guantes alejados de las partes móviles. Las ropas sueltas, joyas o pelo largo pueden atascarse en las partes móviles.

Si hay dispositivos para la extracción y colecta de polvo, asegúrese de que se conectan y se utilizan correctamente. El uso de estos dispositivos puede reducir peligros relacionados con el polvo.

USO Y CUIDADOS DE LA HERRAMIENTA

PRECAUCIÓN

Utilice abrazaderas u otros medios para asegurar y apoyar la pieza de trabajo en una plataforma segura. Si aguanta la pieza de trabajo con la mano contra su cuerpo, podría desestabilizarse y provocar la pérdida del control.

No fuerce la herramienta. Utilice la herramienta correcta para su aplicación. La herramienta correcta realizará el trabajo mejor y de forma más segura si se utiliza con las especificaciones designadas.

No utilice la herramienta si el interruptor no la enciende y la apaga. Una herramienta que no puede controlarse con el interruptor es peligrosa y debe repararse.

Desconecte la batería de la herramienta o coloque el interruptor en la posición de bloqueo o apagado antes de realizar cualquier ajuste, cambio de accesorios o cuando guarde la herramienta. Estas medidas de seguridad preventivas reducen el riesgo de que la herramienta se active accidentalmente.

Guarde las herramientas fuera del alcance de los niños y otras personas inexpertas. Las herramientas son peligrosas en manos de usuarios inexpertos.

Cuando no utilice la batería, guárdela alejada de otros objetos de metal como: clips para papel, monedas, llaves, clavos, tornillos u otros objetos de metal pequeños que pueden provocar la conexión de un terminal a otro. Si los terminales de la batería se unen podría provocar chispas, quemaduras o un fuego.

Tenga cuidado con el mantenimiento de las herramientas. Mantenga las

herramientas de corte afiladas y limpias. Las herramientas correctamente mantenidas con los bordes de corte afilados son menos propensas a doblarse y más fáciles de controlar.

Compruebe si hay partes desviadas o dobladas, partes rotas o cualquier otro estado que pueda afectar a la operación de la herramienta. Si se daña, lleve la herramienta para que la reparen antes de volver a utilizarla. Muchos accidentes son provocados por herramientas con un mantenimiento incorrecto.

Utilice solamente accesorios recomendados por el fabricante para su modelo. Los accesorios que pueden ser apropiados para una herramienta podrían suponer un riesgo de lesión si se utilizan en otra herramienta.

USO Y CUIDADOS DE LA BATERÍA DE LA HERRAMIENTA

PRECAUCIÓN

Asegúrese de que el interruptor esté apagado antes de insertar la batería. Si inserta la batería en herramientas de potencia con el interruptor encendido activado, podría tener accidentes.

Recargar sólo con el cargador especificado por el fabricante. Un cargador apropiado para un tipo de batería puede suponer un riesgo si se utiliza con otra batería distinta.

Utilice herramientas de potencia sólo con las baterías específicamente designadas. El uso de cualquier otra batería podría provocar lesiones y fuego.

Cuando una batería no se utiliza, guárdela lejos de otros objetos de metal como clips para papel, monedas, llaves, clavos, tornillos u otros pequeños objetos de metal que puedan conectar un terminal con otro. Si los terminales de la batería se unen podría provocar quemaduras o un fuego.

En condiciones de uso abusivo, podría salir líquido de la batería; evite el contacto directo. Si entra en contacto accidental, lávese bien con agua. Si el líquido entra en contacto con los ojos, además de lavarse, busque ayuda médica. El líquido expulsado de una batería puede causar irritación o quemaduras.

SERVICIO

Lleve su herramienta de potencia para su reparación a un técnico cualificado que utilice sólo partes de repuesto idénticas. Esto hará que la herramienta de potencia mantenga su seguridad.

Las reparaciones de la herramienta deben ser realizadas sólo por personal técnico cualificado. La reparación o mantenimiento realizados por personal no

cualificado podría provocar el riesgo de lesiones.

Cuando repare una herramienta, utilice solamente partes de repuesto idénticas. Siga las instrucciones de la sección Mantenimiento en este manual. El uso de partes no autorizadas o si no sigue las instrucciones de mantenimiento puede provocar el riesgo de descarga o lesiones.

NORMAS Y SÍMBOLOS DE SEGURIDAD ESPECÍFICOS

PRECAUCIÓN

Sostenga la herramienta por sus superficies de agarre aisladas cuando realice una operación donde la herramienta de corte pueda contactar con el cableado oculto. El contacto con un cable 'vivo' también expondrá las partes metálicas de la herramienta en 'vivo' y descargar en el usuario.

Tenga en cuenta que esta herramienta siempre está dispuesta para su funcionamiento, pues no tiene que ser enchufada en un enchufe eléctrico. Coloque siempre el interruptor en la posición de bloqueo OFF cuando instale o quite la batería o las brocas.

No utilice brocas o llaves más grandes que los recomendados. Las brocas o llaves grandes pueden sobrecargar el taladro/destornillador y dañar al motor y los engranajes.

No utilizar si el portabrocas u otros componentes están rotos o desgastados.

Nunca cambie la dirección o rotación hasta que el motor se haya detenido por completo.

Nunca sostenga el material de trabajo en la mano, rodillas o contra otras partes del cuerpo mientras utiliza el taladro.

No utilice la broca como guía ni intente agrandar o ensanchar agujeros torciendo la broca. Las brocas pueden romperse y provocar lesiones.

Mantenga las manos alejadas de las partes giratorias.

Mantenga la broca alejada de usted y todos los objetos mientras la instala o la quita.

Algunas maderas contienen sustancias conservadoras que pueden ser tóxicas. Tenga especial cuidado para evitar la inhalación y el contacto con la piel cuando trabaje con estos materiales. Pida, y siga, toda la información de seguridad disponible de su proveedor de materiales.

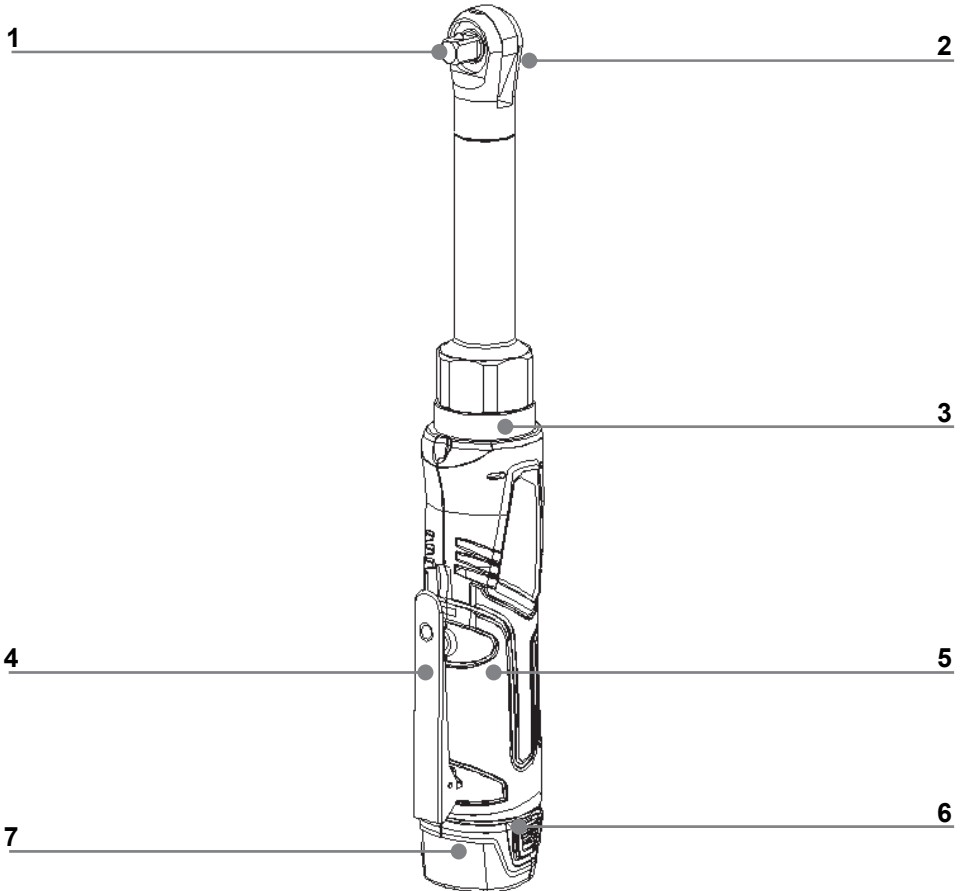
SÍMBOLOS

La etiqueta de la herramienta puede incluir los símbolos siguientes. Los símbolos y sus definiciones son los siguientes:

Español

SÍMBOLO	NOMBRE	EXPLICACIÓN
V	Voltios	Voltaje (potencial)
no	Sin Velocidad de Carga	Velocidad rotatoria sin carga
kg	Kilogramos	Peso
≡	Corriente Directa (DC)	Tipo de corriente
.../min	Revoluciones por Minuto	Revoluciones, velocidad de superficie, impactos, etc. por minuto

DESCRIPCIÓN DE LAS FUNCIONES



CONTROLES Y COMPONENTES:

1. Salida eje
2. Palanca Adelante / Atrás
3. Carcasa de aluminio
4. Interruptor de ON/OFF

Español

5. Agarre suave antideslizante
6. Botón de liberación de la batería
7. Batería

ESPECIFICACIONES

Número de modelo	ARW1218-3
Voltaje	12 Vdc
Eje	Cuadrado 3/8"
Máx. Torque	40 ft-lbs (55 Nm)
Sin Velocidad de Carga	250 RPM
Peso de la herramienta	2,75 lbs (1,25 kg)

MONTAJE

INSTALAR O QUITAR LA BATERÍA

PARA QUITAR LA BATERÍA: Suelte el botón de liberación de la batería (6) y tire de la batería (7) para sacarla.

PARA INSTALAR LA BATERÍA: Introduzca la batería (7) en la herramienta hasta que quede bloqueada en su lugar.

INSTALACIÓN DE ACCESORIOS

Siempre siga los procedimientos siguientes para instalar un accesorio.

1. Inserte un accesorio en el eje (1).
2. Asegúrese de que la broca está fija en el eje cuando haga clic en la bola del eje.

QUITAR ACCESORIOS

Siempre siga los procedimientos siguientes para quitar un accesorio.



PRECAUCIÓN

Ajuste siempre el interruptor (4) a la posición de desactivado cuando instale o quite un accesorio.

OPERACIÓN

NOTA

Compruebe siempre la dirección de rotación antes de usar.

No exceda las especificaciones y el alcance de uso según el diseño, para evitar poner en peligro su seguridad personal y evitar dañar la herramienta.

1. Tras un uso continuado, deje que la llave de impacto descanse unos 15 minutos antes de cambiar la batería. La temperatura del motor, interruptor, etc, subirá si comienza a trabajar inmediatamente tras cambiar una batería, pudiendo quemarse.
2. Coloque la punta del tornillo en el accesorio. Mantenga la herramienta apuntando derecha hacia el tornillo.
3. Aplique presión adelante en la herramienta para evitar que el accesorio se salga del

tornillo.

4. Para comenzar, encienda la llave/destornillador de impacto. Compruebe siempre el torque con una llave de torque. El torque de agarre puede ser afectado por muchos factores, incluyendo los siguientes:

Voltaje: Bajo voltaje debido a una batería casi descargada reducirá el torque de agarre.

Tamaño del accesorio: Si no utiliza un accesorio con el tamaño correcto, provocará una reducción en el torque de agarre.

Tamaño del tornillo: Los tornillos de diámetro más grande generalmente necesitan un torque de agarre más alto. El torque de agarre también variará según la longitud, grado y coeficiente de torque.

Material: El tipo de material y el acabado de la superficie del material afectarán al torque de agarre.

Tiempo de agarre: Un tiempo de agarre más largo resulta en un aumento del torque de agarre. Si utiliza un tiempo de agarre más largo que el recomendado podría hacer que los tornillos se fueren demasiado, se desgarran o se dañen.

NOTA

Espera alrededor de 3 segundos y luego presione el gatillo para comenzar la operación después de instalar la batería.

NOTA

No se recomienda el uso continuado a velocidad variable. Puede dañar el interruptor y debería evitarse.

NOTA

Cuando cambie la posición del botón de control, asegúrese de que el control de cambio de velocidad está suelto.

NOTA

La primera vez que la herramienta se utiliza tras cambiar la dirección de rotación, puede que escuche un clic al inicio. Esto es normal y no indica ningún problema.

MANTENIMIENTO



ADVERTENCIA

Quite la batería de la herramienta antes de usar disoluciones de limpieza.

NOTA

Esta herramienta ha sido lubricada antes de salir de fábrica. El lubricante debería durar hasta el final de la vida útil de la herramienta. No necesita más

lubricación.

LIMPIEZA

Con el motor en funcionamiento, sople la suciedad y el polvo de las rejillas de ventilación con aire seco al menos una vez a la semana. Lleve gafas de seguridad cuando realice esto. Las partes de plástico exteriores pueden limpiarse con un trapo húmedo y detergente suave. Aunque estas partes son muy resistentes a disolventes, NUNCA utilice disolvente.

ACCESORIOS

Utilice solamente accesorios recomendados por el fabricante para su modelo. Los accesorios que pueden ser útiles para una herramienta pueden convertirse en peligrosos al utilizarlos en otra herramienta.

Los accesorios recomendados para usarlos con la herramienta están disponibles para su compra en su centro local de servicios.

IMPORTANTE: Para una mayor SEGURIDAD y FIABILIDAD del producto, las reparaciones, mantenimiento y ajustes deberán realizarse en centros de servicio oficiales u otros servicios técnicos cualificados, utilizando siempre componentes idénticos.

PROTECCIÓN DEL MEDIOAMBIENTE

Antes de tirar una unidad dañada, consulte a su Agencia de Protección Medioambiental si existen restricciones especiales sobre la retirada de herramientas o para devolverlas a un centro de servicios para su reciclaje.



ACDelco, el Emblema ACDelco y los gráficos relacionados con ACDelco son Marcas de General Motors usados bajo la licencia de Mobiletron Electronics Co., Ltd.



ADC12US07-99

CHARGER

PRODUCT INFORMATION MANUAL

Manual información del producto

English
Español



THIS MANUAL CONTAINS IMPORTANT INFORMATION REGARDING SAFETY, OPERATION, MAINTENANCE AND STORAGE OF THIS PRODUCT.

ESTE MANUAL CONTIENE INFORMACIÓN IMPORTANTE ACERCA DE LA SEGURIDAD, FUNCIONAMIENTO, MANTENIMIENTO Y ALMACENAMIENTO DE ESTE PRODUCTO.

DO NOT ATTEMPT TO OPERATE THE TOOL UNTIL YOU HAVE READ AND UNDERSTOOD ALL INSTRUCTIONS AND SAFETY RULES CONTAINED IN THIS MANUAL. FAILURE TO COMPLY MAY RESULT IN ACCIDENTS INVOLVING FIRE, ELECTRIC SHOCK, OR SERIOUS PERSONAL INJURY. SAVE THIS OWNER'S MANUAL FOR FUTURE REFERENCE AND REVIEW IT FREQUENTLY FOR SAFE OPERATION.

NO UTILICE ESTA HERRAMIENTA HASTA HABER LEÍDO Y COMPRENDIDO TODAS LAS INSTRUCCIONES Y NORMAS DE SEGURIDAD CONTENIDAS EN ESTE MANUAL. SI NO LO HACE PODRÍA PROVOCAR ACCIDENTES CON FUEGO, DESCARGA ELÉCTRICA O LESIONES PERSONALES SERIAS. GUARDE ESTE MANUAL DE INSTRUCCIONES PARA SU CONSULTA EN EL FUTURO Y REVÍSELO FRECUENTEMENTE PARA UN USO SEGURO.

THANKS FOR CHOOSING THIS PRODUCT

ADCelco provides you with products at an affordable price, and we would like you to be fully satisfied with this product and our technical support. If any help or advice is needed, please kindly contact us.

INTENDED USE

This charger is intended for indoor use only.

GENERAL SAFETY RULES



WARNING

READ AND UNDERSTAND ALL INSTRUCTIONS.

Failure to follow all instructions listed below may result in electric shock, fire and/or serious injury.

SAVE THESE INSTRUCTIONS FOR FUTURE REFERENCE

RECOGNIZE SAFETY SYMBOLS, WORDS AND LABELS

The safety instructions provided in this manual are not intended to cover all possible conditions and practices that may occur when operating, maintaining and cleaning power tools.

Always use common sense and pay particular attention to all the **DANGER**, **WARNING**, **CAUTION** and **NOTE** statements of this manual.



This is the safety alert symbol. It is used to alert you to potential personal injury hazards. Obey all safety messages that follow this symbol to avoid possible injury or death.



DANGER

DANGER indicates an imminently hazardous situation which, if not avoided, will result in death or serious injury.



WARNING

WARNING indicates a potentially hazardous situation which, if not avoided, could result in death or serious injury.



CAUTION

CAUTION indicates a potentially hazardous situation which, if not avoided, may result in minor or moderate injury.

NOTE

NOTE provides additional information that is useful for proper use and maintenance of this tool. If a **NOTE** is indicated make sure it is fully understood.

WARNING LABEL IDENTIFICATION



Indoor use only.



Read Manuals Before Operating Product.

IMPORTANT SAFETY RULES

⚠ DANGER

When using power tools, always prevent exposure and breathing of harmful dust and particles.

WARNING: Some dust created by power sanding, sawing, grinding, drilling and other construction activities contains chemicals known to the State of California to cause cancer, birth defects or other reproductive harm.

Some examples of these chemicals are:

- Lead from lead-based paints.
- Crystalline silica from bricks and cement and other masonry products, and arsenic and chromium from chemically-treated lumber.

Your risk from these exposures varies, depending on how often you do this type of work. To reduce your exposure to these chemicals: work in a well ventilated area, and work with approved safety equipment, such as dust masks that are specially designed to filter out microscopic particles.

WARNING: Handling the power cord on corded products may expose you to lead, a chemical known to the State of California to cause cancer and birth defects or other reproductive harm. *Wash hands after handling.*

SAFETY RULES

NOTE

This instruction manual contains important safety and operation procedures for ACDelco Tools' battery packs and charger. Before using the battery packs and charger, read this manual, the matching tool's instruction manual, and all labels on the battery packs, charger and tool.

⚠ WARNING

To reduce the risk of injury, charge ACDelco Tools designated battery packs only in ACDelco Tools designated chargers. Other types of chargers may cause

personal injury or damage. Do not wire a battery pack to a power supply plug or car cigarette lighter. Battery packs will be permanently disabled or damaged.

Use ACDelco Tools designated battery packs only on ACDelco Tools designated tools. Use with other tools may result in risk of fire, electric shock or personal injury.

Avoid dangerous environments. Do not charge battery pack in rain, snow, damp or wet locations. Do not use battery pack or charger in the presence of explosive atmospheres (gaseous fumes, dust or flammable materials) because sparks may be generated when inserting or removing battery pack, possibly causing fire.

Charge in a well ventilated area. Do not block charger vents. Keep them clear to allow proper ventilation. Do not allow smoking or open flames near a charging battery pack. Vented gases may explode.

Maintain charger cord. When unplugging charger, pull plug rather than cord to reduce the risk of damage to the electrical plug and cord. Never carry charger by its cord. Keep cord from heat, oil and sharp edges. Make sure cord will not be stepped on, tripped over or subjected to damage or stress. Do not use charger with damaged cord replaced immediately with identical replacement parts.

Do not use an extension cord unless it is absolutely necessary. Using the wrong, damaged or improperly wired extension cord could result in the risk of fire and electrical shock. If an extension cord must be used, plug the charger into a properly wired 16 gauge or larger extension cord with pins that are the same number, size and shapes as the pins on the charger. Make sure that the extension cord is in good electrical condition.

Charger is rated for 120 volt AC only. Charger must be plugged into an appropriate receptacle.

Use only recommended attachments. Use of an attachment not recommended or sold by the battery charger or battery pack manufacturer may result in a risk of fire, electric shock or personal injury.

Unplug charger when not in use. Remove battery packs from unplugged chargers.

To reduce the risk of electric shock, always unplug charger before cleaning or maintenance. Use a Ground Fault Circuit Interrupter (GFCI) to reduce shock hazards.

Do not burn or incinerate battery packs. Battery packs may explode, causing personal injury or damage. Toxic fumes and materials are created when battery packs are burned.

Do not crush, drop, or damage battery packs. Do not use a battery pack or charger that has received a sharp blow, been dropped, run over, or damaged in any way.

Do not disassemble. Incorrect reassembly may result in the risk of electric shock, fire or exposure to battery chemicals. If it is damaged, take it to a ACDelco Tools service center.

English

Battery chemicals cause serious burns. Never allow contact with skin, eyes, or mouth. If a damaged battery pack leaks battery chemicals, use rubber or neoprene gloves to dispose of it. If skin is exposed to battery fluids, wash with soap and water and rinse with vinegar. If eyes are exposed to battery chemicals, immediately flush with water for 20 minutes and seek medical attention. Remove and dispose of contaminated clothing.

Do not short circuit. A battery pack will short circuit if a metal object makes a connection between the positive and negative contacts on the battery pack. Do not place a battery pack near anything that may cause a short circuit, such as coins, keys or nails in your pocket. A short circuited battery pack may cause fire and personal injury.

Store your battery pack and charger in a cool, dry place. Do not store battery pack where temperatures may exceed 105°F (40.5°C) such as in direct sunlight, a vehicle or metal building during the summer. Charger will charge the battery when the battery's internal temperature is between 32°F (0°C) and 113°F (45°C). When the battery temperature is outside that range, charging will not occur.

Maintain battery pack performance. Recommend to fully recharge the battery pack every 3 months if the tool is idle.

BATTERY CARE

CAUTION

When batteries are not in the tool or the charger, keep them away from metal objects. For example, to protect terminals from shorting DO NOT place batteries in a tool box or pocket with nails, screws, keys, etc. Fire or injury may result.

DO NOT PUT BATTERIES INTO FIRE OR EXPOSE TO HIGH HEAT. They may explode.

BATTERY DISPOSAL

CAUTION

Do not attempt to disassemble the battery or remove any component projecting from the battery terminals. Fire or injury may result. Prior to disposal, protect exposed terminals with heavy insulating tape to prevent shorting.

GUIDELINES FOR USING EXTENSION CORDS

CAUTION

If you were intended to operate a power tool over a distance, please refer to the

English

following table for using a suitable extension cord to reduce the risk of fire or electric shock.

If the power cord is damaged, take it to a ACDelco Tools service center.


Protect your extension cords from sharp objects, excessive heat, and damp or wet areas.

Recommended Minimum Wire Gauge for Extension Cords

EXTENSION CORD LENGTH (METER)					
7.5	15	22.5	30	45	60
WIRE GAUGE					
20	20	18	18	16	14

SYMBOLS

The label on your tool may include the following symbols. The symbols and their definitions are as follows:

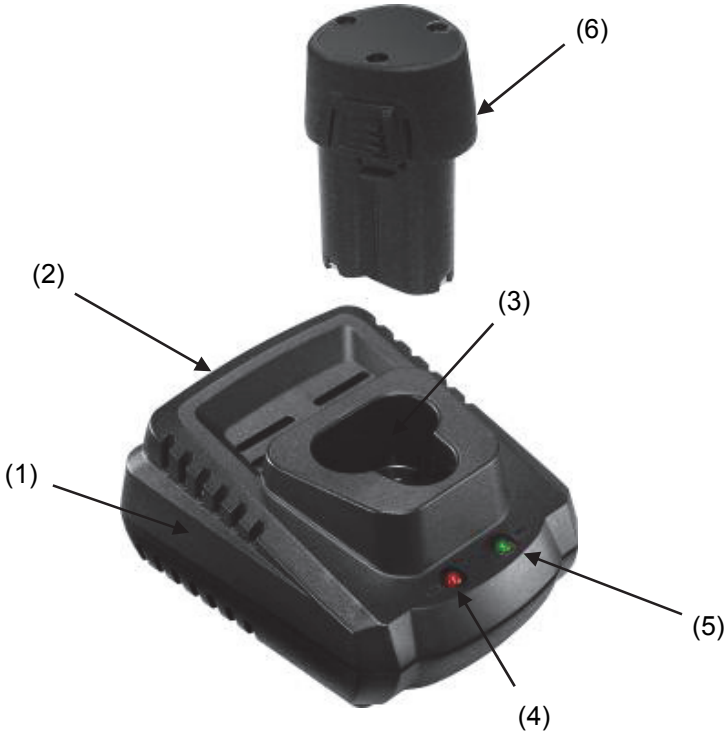
SYMBOL	NAME	EXPLANATION
V	Volts	Voltage (potential)
A	Amperes	Current
Hz	Hertz	Frequency (cycles per second)
~	Alternating Current	Type of Current
≡	Direct Current	Type of Current
	Class II Construction	Denotes Double Insulation

FUNCTIONAL DESCRIPTION

CONTROLS AND COMPONENTS:

1. Charger
2. Cord
3. Battery Compartment
4. Red LED Indicator
5. Green LED Indicator
6. Battery Pack

English



SPECIFICATIONS

Charger Model Number	ADC12US07-99
Input	100-240~Vac, 50-60Hz
Output	12.6 Vdc
Output Amps	1.5 A
Output Power	30W
Charger Weight	0.57 lbs (0.26 kg)

Battery Pack Model Number	AB1207L
Type	Li-ion
Voltage	12 Vdc
Battery Pack Weight	0.37 lbs (0.17 kg)

English

CHARGER LIGHT INDICATOR

LED INDICATOR		SITUATION
GREEN	RED	
Steady Light	No Light	Standing by
No Light	Steady Light	Charging
Steady Light	No Light	Charging is complete
No Light	Blinking Light	Damaged or faulty battery pack

CHARGING BATTERY PACK INSTRUCTIONS

Before attempting to charge the tool, read all of the safety instructions.

1. Check the mains voltage. Make sure the voltage of the power source is the same as the voltage specified on the rating-plate of the charger unit.
2. Plug your mains plug into the power source. Green LED indicator will show a steady light for standing by.
3. Insert battery pack into battery compartment (3) of the charger. Only the Red LED indicator will show a steady light. That indicates that the battery pack is being charged automatically.
4. When the battery pack is fully charged, only the Green LED indicator will show a steady light intelligently.
5. Unplug the battery pack and the charger in turn (unless you would like to charge another battery pack.)

NOTE

The battery pack was discharged after its manufacture. Therefore, it will require 5-10 charges / discharges before it reaches full capacity.

IMPORTANT CHARGING NOTES

CAUTION

Longest life and best performance can be obtained if the battery pack is charged when the surrounding air temperature is between 65°F (18°C) and 75°F (24°C). DO NOT charge battery pack in an air temperature below 40°F (4.5°C), or above 105°F (40.5°C). This is important and will prevent serious damage to battery pack.

The charger was designed to fast charge battery pack between 32°F (0°C) and 113°F (45°C). If the battery pack just inserted is too cold or too hot, the charger will not charge it and only the green LED indicator and the red LED indicator will blink alternatively and continuously. After the battery pack temperature fit standard temperature range, the fast charging procedure will be started automatically.

If battery pack is not charged properly: check battery pack terminals for dirt. Clean with cotton swab and alcohol if necessary.

If battery pack is not still charged properly, take or send charger (and battery pack) to the closest certified Service Center.

Under certain conditions, with the charger plugged into the power source, the exposed charging contacts inside the charger can be shorted by foreign material. Foreign materials of a conductive nature such as, but not limited to, steel wool, aluminum foil, or any buildup of metallic particles should be kept away from charger cavities. Always unplug the charger from the power source when there is no battery pack in the battery compartment. Unplug charger before attempting to clean.

Do not freeze or immerse charger in water or any other liquid.

The battery set should be recharged when it fails to produce sufficient power on jobs that were done previously with ease. Do not continue to use under these conditions. Follow the charging procedures.

WARNING

Don't allow any liquid to get inside charger. Electric shock may result. To facilitate the cooling of the battery pack after use, avoid placing the charger in a warm environment such as in a metal shed, or an uninsulated trailer.

CAUTION

Never attempt to open the charger for any reason. If the plastic housing of the charger breaks or cracks, return to the closest certified Service Center.

NOTE

This product is not user serviceable. There are no user serviceable parts inside the charger. Servicing at the closest certified Service Center is required to avoid damage to static sensitive internal components.

READ ALL OF THE INSTRUCTIONS IN THE BATTERY CHARGER SECTION OF THIS MANUAL BEFORE ATTEMPT TO CHARGE THE BATTERY PACK FOR YOUR TOOL.

Always confirm the battery pack and charger are compatible. Other types of charges may result in a risk of fire, electric shock or personal injury and battery packs will be

permanently disabled or damaged.

IMPORTANT BATTERY PACK NOTES

CAUTION

A Lithium-ion battery pack can remain in the charger without damaging the battery or the charger. The battery will remain fully charged in the charger.

If you remove the battery pack from the battery compartment before the battery is fully charged, it will not cause any damage to the battery.

If several charging operations are performed consecutively, the charger can become warm. It is normal and does not indicate any technical defect.

The efficiency of discharge of the battery will decrease in the low temperature. When the circumstance temperature is lower than -10°C , the battery pack will shut down automatically and it is normal that the power tool is unable to use.

The internal temperature of the battery will continuously increase in repeatedly high power operation or overload. If the pack is overheated, it will disconnect automatically. The power tool does not work until the temperature goes down to the normal temperature.

CAUTION

DO NOT USE THE BATTERY PACK if it is damaged and liquid is leaked from the battery pack cells. If this leakage gets on your skin, please wash affected part immediately and observe any skin reaction. If necessary, please seek medical attention.

MAINTENANCE

WARNING

Disconnect charger from DC outlet before cleaning. Dirt and grease may be removed from the exterior of the charger by using a cloth or a soft non-metallic brush. Do not use water or any cleaning solutions.

CLEANING

With the fan running, blow dirt and dust out of all air vents with dry air at least once a week. Wear safety glasses when performing this. Exterior plastic parts may be cleaned a damp cloth and mild detergent. Although these parts are highly solvent resistant, NEVER use solvent.

ACCESSORIES

Use only accessories that are recommended by the manufacturer for your model. Accessories that may be suitable for one tool may become hazardous when used on another tool.

Recommended accessories for use with your tool are available at extra cost from your local service center.

IMPORTANT: To assure product SAFETY and RELIABILITY, repairs, maintenance and adjustments should be performed by certified service centers or other qualified service organizations, always using identical replacement parts.

PROTECTING THE ENVIRONMENT

Before disposing of damaged, check with your state Environmental Protection Agency to find out about special restrictions on the disposal of tool or return them to a certified service center for recycling.



ACDelco, ACDelco Emblem and the ACDelco related graphics are General Motors Trademarks used under license to Mobiletron Electronics Co., Ltd.

GRACIAS POR ELEGIR ESTE PRODUCTO

ACDelco le ofrece productos a un precio asequible y nos gustaría que quedara completamente satisfecho con este producto y nuestro soporte técnico. Si necesita ayuda o consejo, contacte con nosotros.

USO INTENCIONADO

Este cargador ha sido diseñado para uso exclusivo en interior.

NORMAS DE SEGURIDAD GENERAL

ADVERTENCIA

LEA Y COMPRENDA TODAS LAS INSTRUCCIONES. Si no sigue todas las instrucciones siguientes podría provocar descarga eléctrica, fuego y/o lesiones serias.

GUARDE ESTAS INSTRUCCIONES PARA SU REFERENCIA EN EL FUTURO

RECONOCER LOS SÍMBOLOS, PALABRAS Y ETIQUETAS DE SEGURIDAD

Las instrucciones de seguridad ofrecidas en este manual no pretenden cubrir todas las condiciones y prácticas posibles que puedan ocurrir al utilizar, mantener y limpiar las herramientas de corriente.

Utilice siempre el sentido común y preste especial atención a todos los avisos de **PELIGRO, ADVERTENCIA, PRECAUCIÓN y NOTA** en este manual.



Éste es el símbolo de alerta de seguridad. Se utiliza para avisarle de posibles peligros de lesiones personales. Siga todos los mensajes de seguridad junto a este símbolo para evitar posibles lesiones o muerte.

PELIGRO

PELIGRO indica una situación de peligro inminente que, si no se evita, tendrá como resultado la muerte o lesiones serias.

ADVERTENCIA

ADVERTENCIA indica una situación potencialmente peligrosa que, si no se evita, podría tener como consecuencia la muerte o lesiones serias.

PRECAUCIÓN

PRECAUCIÓN indica una situación potencialmente peligrosa que, si no se evita, podría tener como consecuencia lesiones menores o moderadas.

NOTA

NOTA ofrece información adicional que resulta útil para un uso y mantenimiento adecuados de esta herramienta. Si ve una **NOTA** asegúrese de entenderla por completo.

IDENTIFICACIÓN DE LA ETIQUETA DE ADVERTENCIA



Uso exclusivo en interior.



Lea los manuales antes de utilizar el producto.

NORMAS DE SEGURIDAD IMPORTANTES

PELIGRO

Cuando utilice herramientas de corriente, evite siempre respirar y exponerse al polvo o partículas dañinas.

ADVERTENCIA: El polvo creado por el lijado, serrado, pulido, taladrado y otras actividades de la construcción contiene químicos que provocan según el Estado de California cáncer, defectos de nacimiento u otros daños reproductivos.

Algunos ejemplos de estos químicos son:

- Plomo de pinturas basadas en plomo.
- Sílice cristalino de ladrillos y cemento y otros productos de obra, y arsénico y cromo de madera tratada químicamente.

El riesgo que corre a estas exposiciones varía, dependiendo de la frecuencia con la que realice este tipo de trabajo. Para reducir su exposición a estos químicos: trabaje en un área bien ventilada, y con equipo de seguridad aprobado, como mascarillas antipolvo diseñadas especialmente para filtrar partículas microscópicas.

ADVERTENCIA: Si coge el cable de corriente de los productos con cable podría exponerle al plomo, un químico que provoca según el estado de California cáncer y defectos de nacimiento u otros daños reproductivos. *Lávese las manos tras manipularlos.*

NORMAL DE SEGURIDAD

NOTA

Este manual de instrucciones contiene procedimientos importantes de seguridad y operación para los paquetes de baterías y el cargador ACDelco Tools. Antes de utilizar los paquetes de baterías y el cargador, lea este manual, el manual de instrucciones de la herramienta correspondiente y todas las etiquetas de los paquetes de baterías, cargador y de la herramienta.

ADVERTENCIA

Para reducir el riesgo de lesión, cargue los paquetes de baterías de ACDelco Tools sólo en los cargadores designados ACDelco Tools. Otros tipos de cargadores pueden provocar lesiones personales o daños. No conecte una batería en un enchufe de corriente o en el conector de mechero de un coche. Las baterías quedarán permanentemente inutilizables o dañadas.

Utilice los paquetes de baterías de ACDelco Tools sólo en las herramientas designadas ACDelco Tools. Si los utiliza en otras herramientas podría provocar el riesgo de fuego, descarga eléctrica o lesiones personales.

Evite los entornos peligrosos. No cargue la batería bajo la lluvia, nieve, en lugares con temperatura variable o húmedos. No utilice la batería o el cargador en presencia de atmósferas explosivas (humos gaseosos, polvo o materiales inflamables) pues pueden generarse chispas al insertar o quitar la batería, provocando un posible fuego.

Cargar en una zona bien ventilada. No bloquee las rejillas de ventilación del cargador. Manténgalas libres para permitir una ventilación apropiada. No deje que haya humo o fuego cerca de una batería cargándose. Los gases ventilados podrían explotar.

Cuide el cable del cargador. Cuando desenchufe el cargador, tire del enchufe en lugar del cable para reducir el riesgo de daños en el enchufe eléctrico y en el cable. Nunca transporte el cargador por el cable. Mantenga el cable alejado del calor, aceite o bordes afilados. Asegúrese de que el cable no se pisa, que nadie puede tropezar y que no esté expuesto a daños ni forzado. No utilice el cargador con el cable dañado, cámbielo inmediatamente por otro reemplazo idéntico.

No utilice un cable alargador a menos que sea absolutamente necesario. Si utiliza un cable alargador incorrecto, dañado o con las conexiones mal, podría provocar riesgo de fuego y descarga eléctrica. Si debe utilizar un cable alargador, enchufe el cargador en un cable alargador de calibre 16 o superior con contactos del mismo número, tamaño y forma que los del cargador. Asegúrese de que el cable alargador esté en un buen estado eléctrico.

El cargador está clasificado solamente para 120 voltios AC. El cargador debe enchufarse en un enchufe apropiado.

Utilice solamente los complementos recomendados. El uso de un complemento no recomendado o no vendido por el fabricante del cargador o batería puede provocar el riesgo de fuego, descarga eléctrica o lesiones personales.

Desenchufe el cargador cuando no lo utilice. Quite los paquetes de baterías de los cargadores desenchufados.

Para reducir el riesgo de descarga eléctrica, desenchufe el cargador antes de la limpieza o el mantenimiento. Utilice un interruptor de circuito contra fallos conectado a tierra (GFCI) para reducir peligros de descarga eléctrica.

No queme o incinere paquetes de baterías. Los paquetes de baterías pueden explotar, provocando lesiones personales o daños. Si quema una batería, se crearán

humos y materiales tóxicos.

No aplaste, deje caer ni dañe los paquetes de baterías. No utilice una batería o cargador que haya recibido un golpe seco, que se haya caído, pisado o dañado de algún modo.

No desmontar. El montaje incorrecto puede provocar el riesgo de descarga eléctrica, fuego u otras exposiciones a químicos de las baterías. Si se daña, llévelo al centro de servicio técnico ACDelco Tools.

Los químicos de las baterías provocan quemaduras serias. Nunca deje que entre en contacto con la piel, ojos o boca. Si una batería dañada emite elementos químicos, utilice guantes de goma o neopreno para tirarlo. Si la piel ha estado expuesta a los fluidos de la batería, lávese con jabón y agua y enjuáguese con vinagre. Si los ojos han estado expuestos a los químicos de la batería, láveselos inmediatamente con agua durante 20 minutos y busque atención médica. Quítese y tire toda la ropa contaminada.

No cortocircuitar. Una batería se cortocircuitará si un objeto de metal entra en contacto entre el polo positivo y el negativo de ésta. No coloque una batería cerca de nada que pueda provocar un cortocircuito, como monedas, llaves o clavos en el bolsillo. Una batería cortocircuitada puede provocar fuego y lesiones personales.

Guarde su batería y el cargador en un lugar fresco y seco. No guarde la batería donde las temperaturas puedan superar los 105°F (40,5°C) como la luz directa del sol, un vehículo o un edificio metálico en el verano. El cargador cargará la batería cuando la temperatura interna de la batería esté entre 32°F (0°C) y 113°F (45°C). Cuando la temperatura de la batería esté fuera de esa franja, la carga no se llevará a cabo.

Mantener el rendimiento de la batería. Se recomienda realizar una carga completa de la batería cada 3 meses si la herramienta no se utiliza.

CUIDADOS DE LA BATERÍA

PRECAUCIÓN

Cuando las baterías no estén en el interior de la herramienta o del cargador, manténgalas alejadas de los objetos metálicos. Por ejemplo, para proteger los terminales del cortocircuito NO coloque baterías en una caja de herramientas o en un bolsillo con clavos, tornillos, llaves, etc. Podría provocar fuego o lesiones.

NO COLOQUE LAS BATERÍAS EN EL FUEGO NI LAS EXPONGA A ALTAS TEMPERATURAS. Podrían explotar.

DESECHAR LA BATERÍA

PRECAUCIÓN

No intente desmontar la batería ni quite ningún componente que salga de los terminales de la batería. Podría provocar fuego o lesiones. Antes de desechar, proteja los terminales con cinta aislante gruesa para evitar cortocircuitos.

DIRECTRICES PARA UTILIZAR CABLES ALARGADORES

PRECAUCIÓN

Si va a utilizar la herramienta de potencia a cierta distancia, consulte la tabla siguiente para utilizar el cable alargador correcto y reducir el riesgo de fuego o descarga eléctrica.

Asegúrese de que su cable alargador tenga el cableado correcto y que esté en un buen estado eléctrico. Siempre reemplace un cable alargador dañado o llévelo a un técnico cualificado para repararlo antes de utilizarlo.


Proteja sus cables alargadores de objetos afilados, calor excesivo y zonas húmedas o mojadas.

Calibre mínimo recomendado para cables alargadores

LONGITUD DEL CABLE ALARGADOR (METROS)					
7,5	15	22,5	30	45	60
CALIBRE DEL CABLE					
20	20	18	18	16	14

SÍMBOLOS

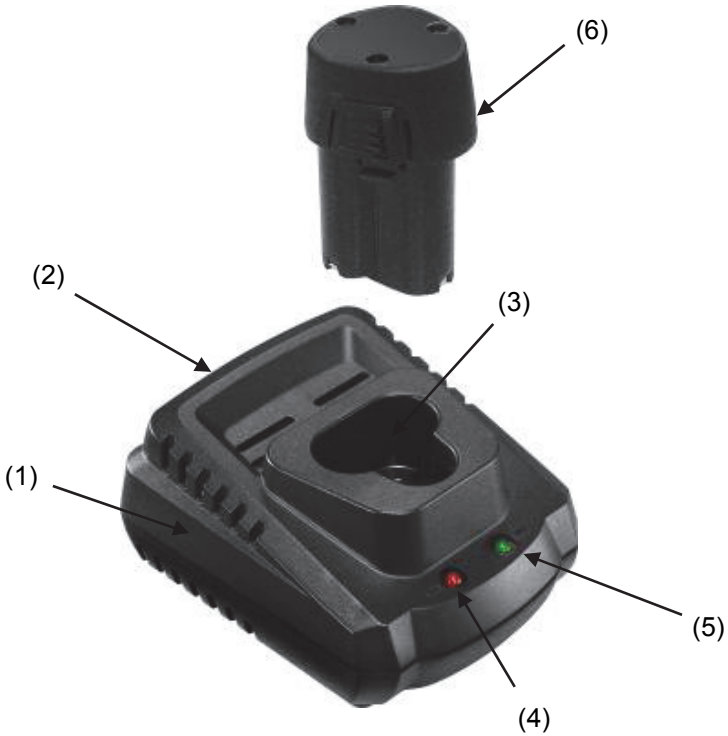
La etiqueta de la herramienta puede incluir los símbolos siguientes. Los símbolos y sus definiciones son los siguientes:

SÍMBOLO	NOMBRE	EXPLICACIÓN
V	Voltios	Voltaje (potencial)
A	Amperios	Corriente
Hz	Hercios	Frecuencia (ciclos por segundo)
~	Corriente alterna	Tipo de corriente
≡	Corriente Directa	Tipo de corriente
	Construcción Clase II	Denota aislante doble

DESCRIPCIÓN DE LAS FUNCIONES

CONTROLES Y COMPONENTES:

1. Cargador
2. Cable
3. Compartimiento de la batería
4. Indicador LED rojo
5. Indicador LED verde
6. Batería



Español

ESPECIFICACIONES

Número de modelo del cargador	ADC12US07-99
Entrada	100-240~ Vac, 50-60Hz
Salida	12.6 Vdc
Amperios de salida	1.5 A
Potencia de salida	30W
Peso del cargador	0.57 lbs (0.26 kg)
Número del modelo de la batería	AB1207L
Tipo	Litio
Voltaje	12 Vdc
Peso de la batería	0.37 lbs (0.17 kg)

INDICADOR LUMINOSO DEL CARGADOR

INDICADOR LED		ESTADO
VERDE	ROJO	
Luz fija	Sin luz	En espera
Sin luz	Luz fija	Cargando
Luz fija	Sin luz	Carga completada
Sin luz	Luz parpadeando	Batería dañada o defectuosa

INSTRUCCIONES DE LA BATERÍA

Antes de cargar la herramienta, lea todas las instrucciones de seguridad.

1. Compruebe el voltaje de la toma de corriente. Asegúrese de que el voltaje de la fuente de corriente sea el mismo que el voltaje especificado en la placa de clasificación de la unidad de carga.
2. Insertar la clavija de su red en la fuente de alimentación. indicador LED verde se mostrará una luz fija durante la espera.
3. Inserte la batería en el compartimento de la batería (3) del cargador. Sólo el indicador LED rojo mostrará una luz fija. Eso indica que la batería está siendo cargada automáticamente.
4. Cuando la batería está completamente cargada, sólo el indicador LED verde se mostrará una luz fija de forma inteligente..
5. Desenchufe la batería y el cargador (a menos que vaya a cargar otra batería)

NOTA

La batería ha sido descargada tras su fabricación. Por lo tanto, necesitará unas 5-10 recargas / descargas antes de alcanzar su capacidad máxima.

NOTAS IMPORTANTES SOBRE LA CARGA

PRECAUCIÓN

Se puede obtener una duración superior y más rendimiento si la batería se carga a temperatura ambiente entre 65°F (18°C) y 75°F (24°C). NO cargue la batería a temperatura ambiental inferior a 40°F (4,5°C), o superior a 105°F (40,5°C). Esto es importante y evitará daños serios en la batería.

El cargador ha sido diseñado para cargar rápido la batería entre 32°F (0°C) y 113°F (45°C). Si la batería insertada está demasiado fría o demasiado caliente, el cargador no la cargará y el indicador LED verde y el LED rojo parpadearán alternativamente y continuamente. Tras recuperar la temperatura normal, la carga rápida de la batería comenzará automáticamente.

Si la batería no se carga adecuadamente: compruebe si los terminales de la batería tienen suciedad. limpie con una gasa de algodón la suciedad de los terminales.

Si la batería no está bien cargada, lleve o envíe el cargador (y la batería) al servicio técnico oficial más cercano.

En ciertas circunstancias, con el cargador enchufado en la fuente de alimentación, los contactos de carga expuestos del interior del cargador pueden ser cortocircuitados por algún material externo. Los materiales externos de naturaleza conductora pueden ser, entre otros, un estropajo de acero, papel de aluminio o cualquier acumulación de partículas metálicas y deberían mantenerse alejados de las cavidades del cargador. Desenchufe siempre el cargador de la fuente de alimentación cuando no haya una batería en el interior del compartimiento. Desenchufe el cargador antes de la limpieza.

No enfríe o meta el cargador en el agua o en cualquier otro líquido.

La batería debería recargarse cuando no produzca potencia suficiente en trabajos que se han realizado anteriormente con facilidad. No continúe utilizándola en estas condiciones. Siga los procedimientos de carga.

ADVERTENCIA

No deje que entre líquido en el interior del cargador. Puede ocurrir una descarga eléctrica. Para facilitar la refrigeración de la batería tras su uso, evite colocar el cargador en un entorno caliente como un cobertizo metálico o una caravana sin aislante.

PRECAUCIÓN

En ningún caso abra el cargador. Si la carcasa de plástico del cargador se rompe o se quiebra, devuélvalo al servicio técnico oficial más cercano.

NOTA

Este producto no requiere mantenimiento por parte del usuario. No hay partes que requieran mantenimiento por parte del usuario en el interior del cargador. Para evitar daños en componentes internos sensibles es imprescindible realizar las reparaciones en el servicio técnico oficial más cercano.

LEA TODAS LAS INSTRUCCIONES EN LA SECCIÓN DEL CARGADOR DE LA BATERÍA EN ESTE MANUAL ANTES DE CARGAR LA BATERÍA PARA LA HERRAMIENTA.

Confirme siempre que la batería y el cargador sean compatibles. Otros tipos de cargas pueden suponer un riesgo de fuego, descarga eléctrica o lesiones personales y las baterías quedarán inutilizables o se dañarán.

NOTAS IMPORTANTES SOBRE LA BATERÍA

PRECAUCIÓN

Una batería de litio puede permanecer en el cargador sin dañar la batería o el cargador. La batería se mantendrá completamente cargada en el cargador.

Si retira la batería del compartimiento de la batería antes de que se cargue por completo, no provocará ningún daño a la batería.

Si realiza varias cargas consecutivamente, el cargador puede calentarse. Es normal y no indica un defecto técnico.

La eficiencia de descarga de la batería disminuirá a baja temperatura. Cuando la temperatura ambiental sea inferior a -10°C , la batería se apagará automáticamente y es normal que la herramienta de potencia no se pueda utilizar.

La temperatura interna de la batería aumentará continuamente cuando se utilice a máxima potencia repetidamente o si se sobrecarga. Si la batería se sobrecalienta, se desconectará automáticamente. La herramienta de potencia no funcionará hasta que la temperatura baje a temperatura normal.

PRECAUCIÓN

NO UTILICE LA BATERÍA si está dañada y sale líquido de los elementos de la batería. Si se derrama líquido sobre su piel, lave la parte afectada inmediatamente y observe cualquier reacción de la piel. Si es necesario, busque atención médica.

MANTENIMIENTO



ADVERTENCIA

Desconecte el cargador de la toma DC antes de la limpieza. La suciedad y la grasa puede quitarse del exterior del cargador utilizando un trapo o un cepillo suave no metálico. No utilice agua ni soluciones de limpieza.

LIMPIEZA

Con el ventilador en funcionamiento, sople la suciedad y el polvo de las rejillas de ventilación con aire seco al menos una vez a la semana. Lleve gafas de seguridad cuando realice esto. Las partes de plástico exteriores pueden limpiarse con un trapo húmedo y detergente suave. Aunque estas partes son muy resistentes a disolventes, NUNCA utilice disolvente.

ACCESORIOS

Utilice solamente accesorios recomendados por el fabricante para su modelo. Los accesorios que pueden ser útiles para una herramienta pueden convertirse en peligrosos al utilizarlos en otra herramienta.

Los accesorios recomendados para usarlos con la herramienta están disponibles para su compra en su centro local de servicios.

IMPORTANTE: Para una mayor SEGURIDAD y FIABILIDAD del producto, las reparaciones, mantenimiento y ajustes deberán realizarse en centros de servicio oficiales u otros servicios técnicos cualificados, utilizando siempre componentes idénticos.

PROTECCIÓN DEL MEDIOAMBIENTE

Antes de tirar una unidad dañada, consulte a su Agencia de Protección Medioambiental si existen restricciones especiales sobre la retirada de herramientas o para devolverlas a un centro de servicios para su reciclaje.



ACDelco™

ACDelco, el Emblema ACDelco y los gráficos relacionados con ACDelco son Marcas de General Motors usados bajo la licencia de Mobiletron Electronics Co., Ltd.

