



ARM 6V SERIES

DIGITAL ANGLE TORQUE WRENCH

PRODUCT INFORMATION MANUAL

Manuel informations du produit

Manual información del producto

English

Français

Español



THIS MANUAL CONTAINS IMPORTANT INFORMATION REGARDING SAFETY, OPERATION, MAINTENANCE AND STORAGE OF THIS PRODUCT.

CE MANUEL CONTIENT DES INFORMATIONS IMPORTANTES CONCERNANT LA SECURITE, L'OPERATION, LA MAINTENANCE ET LE STOCKAGE DE CE PRODUIT.

ESTE MANUAL CONTIENE INFORMACIÓN IMPORTANTE ACERCA DE LA SEGURIDAD, FUNCIONAMIENTO, MANTENIMIENTO Y ALMACENAMIENTO DE ESTE PRODUCTO.

DO NOT ATTEMPT TO OPERATE THE TOOL UNTIL YOU HAVE READ AND UNDERSTOOD ALL INSTRUCTIONS AND SAFETY RULES CONTAINED IN THIS MANUAL. FAILURE TO COMPLY MAY RESULT IN ACCIDENTS INVOLVING FIRE, ELECTRIC SHOCK, OR SERIOUS PERSONAL INJURY. SAVE THIS OWNER'S MANUAL FOR FUTURE REFERENCE AND REVIEW IT FREQUENTLY FOR SAFE OPERATION.

NE PAS TENTER D'OPERER L'OUTIL TANT QUE VOUS N'AVEZ PAS LU ET COMPRIS TOUTES LES INSTRUCTIONS ET REGLES DE SECURITE CONTENUES DANS CE MANUEL. SINON VOUS RISQUEZ DES ACCIDENTS TELS QU'UN INCENDIE, UNE ELECTROCUTION, OU DES BLESSURES CORPORELLES GRAVES. CONSERVEZ CE MODE D'EMPLOI EN CAS DE BESOIN ET RELISEZ-LE SOUVENT POUR UTILISER VOTRE OUTIL EN TOUTE SECURITE.

NO UTILICE ESTA HERRAMIENTA HASTA HABER LEÍDO Y COMPRENDIDO TODAS LAS INSTRUCCIONES Y NORMAS DE SEGURIDAD CONTENIDAS EN ESTE MANUAL. SI NO LO HACE PODRÍA PROVOCAR ACCIDENTES CON FUEGO, DESCARGA ELÉCTRICA O LESIONES PERSONALES SERIAS. GUARDE ESTE MANUAL DE INSTRUCCIONES PARA SU CONSULTA EN EL FUTURO Y REVÍSELO FRECUENTEMENTE PARA UN USO SEGURO.



THANKS FOR CHOOSING THIS PRODUCT

ACDelco provides you with products at an affordable price, and we would like you to be fully satisfied with this product and our technical support. If any help or advice is needed, please kindly contact us.

INTENDED USE

This tool is intended for personal and hand use only.

This digital torque tool display fastener torque specification settings, torque readings and peak hold measurements. Recommended use it indoor.

GENERAL SAFETY RULES

WARNING

READ AND UNDERSTAND ALL INSTRUCTIONS.

Failure to follow all instructions listed below may result in electric shock, fire and/or serious injury. The term "power tool" in all of the warnings listed below refers to your mains-operated (corded) power tool or battery-operated (cordless) power tool.

SAVE THESE INSTRUCTIONS FOR FUTURE REFERENCE

RECOGNIZE SAFETY SYMBOLS, WORDS AND LABELS

The safety instructions provided in this manual are not intended to cover all possible conditions and practices that may occur when operating, maintaining and cleaning power tools.

Always use common sense and pay particular attention to all the **DANGER**, **WARNING**, **CAUTION** and **NOTE** statements of this manual.



This is the safety alert symbol. It is used to alert you to potential personal injury hazards. Obey all safety messages that follow this symbol to avoid possible injury or death.

DANGER

DANGER indicates an imminently hazardous situation which, if not avoided, will result in death or serious injury.

WARNING

WARNING indicates a potentially hazardous situation which, if not avoided, could result in death or serious injury.

CAUTION

CAUTION indicates a potentially hazardous situation which, if not avoided, may result in minor or moderate injury.

NOTE

NOTE provides additional information that is useful for proper use and maintenance of this tool. If a **NOTE** is indicated make sure it is fully understood.

WARNING LABEL IDENTIFICATION



Read Manuals Before Operating Product.



Wear Eye Protection.



Keep body stance balanced and firm. Do not over reach when operating this tool.



The risk of hands, fingers or other body parts being caught or wrapped in gear or other moving parts.



The risk of electrical shock.



Federal Communications Commission.

IMPORTANT SAFETY RULES

⚠ DANGER

Risk of Flying Particles

WARNING: Over-torque can cause breakage. Force against flex stops on flex head can cause head breakage. An out of calibration torque wrench can cause part or tool breakage. Broken hand tools, sockets or accessories can cause injury. Excess force can cause crow foot or flare nut wrench slippage.

WORK AREA

⚠ WARNING

Keep children and bystanders away while operating a power tool. Distractions can cause you to lose control.

Keep work area clean and well lit. Cluttered and dark areas invite accidents.

Do not operate digital torque tools in explosive atmospheres, such as in the presence of flammable liquids, gases or dust. Digital torque tools create sparks which may ignite the dust or fumes.

ELECTRICAL SAFETY

WARNING

Electrical shock can cause injury.

Plastic part is not insulated.

Do not use on live electrical circuits.

PERSONAL SAFETY

WARNING

Stay alert, watch what you are doing and use common sense when operating a power tool. Do not use a power tool while you are tired or under the influence of drugs, alcohol or medication. A moment of inattention while operating power tools may result in serious personal injury.

Use personal safety equipment. Always wear eye protection. Safety equipment such as dust mask, non-skid safety shoes, hard hat, or hearing protection used for appropriate conditions will reduce personal injuries.

Do not over reach. Keep proper footing and balance at all times. This enables better control of the power tool in unexpected situations.

Do not expose digital torque tools to rain or wet conditions. Water entering a digital torque tool will increase the risk of electric shock.

Ratchet mechanism may slip or break if dirty, mismatched or worn parts are used, or direction lever is not fully engaged. Ratchets that slip or break can cause injury.

Always pull-do not push- on the wrench handle and adjust your stance to prevent a possible fall while applying torque.

⚠ CAUTION

For hand use only.

Do not apply excessive torque or force to the tool housing. The torque only applies on the driver head.

Do not shake or shock.

Never use this digital torque tool to loosen fasteners.

This digital torque tool is for hand use only.

Always verify that the digital torque tool capacity matches or exceeds each application before proceeding.

Always verify the calibration of the digital torque tool if you know or suspect its capacity has been exceeded. To ensure accurate measurement periodic recalibration is necessary.

Never force the head of flex head drive against stops.

Keep this digital torque tool away from magnets.

Do not apply excessive force to the LCD panel.

Use the digital torque tool only for the intended use described in this manual. Do not use this digital torque tool as a hammer.

Do not use the digital torque tool if it is not working properly, or if it has suffered any damage.

Be sure all components, including wrenches, extensions, drivers and sockets are rated to match or exceed the torque being applied with tool.

Do not disassemble the digital torque tool.

Observe all equipment, system and manufacturer's warnings, cautions and procedures when using this digital torque tool.

Always using the correct size socket for the fastener being torqued.

Do not use damaged sockets, showing signs of wear or cracks.

Do not apply torque exceeding the rated capacity, regardless of whether the digital torque tool is On or Off. Avoid shock load. Over-torque(120% of Max. torque range) could cause breakage or lose accuracy.

Never operate digital torque tool when powered OFF. Always power digital torque tool ON prior to applying torque.

Do not press ON/ZERO button while torque is being applied.

English

BATTERY TOOL USE AND CARE

CAUTION

Under abusive conditions, liquid may be ejected from the battery, avoid contact. If contact accidentally occurs, flush with water. If liquid contacts eyes, additionally seek medical help. Liquid ejected from the battery may cause irritation or burns.

Do not expose this digital torque tool to dust or sand as this could cause serious damage. Do not expose the digital torque tool to extreme temperature, humidity direct sunlight or shock violently.

SERVICE

Tool service must be performed only by qualified repair personnel. Service or maintenance performed by unqualified personnel may result in a risk of injury.

When servicing a tool, use only identical replacement parts. Follow instructions in the Maintenance section of this manual. Use of unauthorized parts or failure to follow Maintenance Instructions may create a risk of shock or injury.

SPECIFIC SAFETY RULES AND SYMBOLS

CAUTION

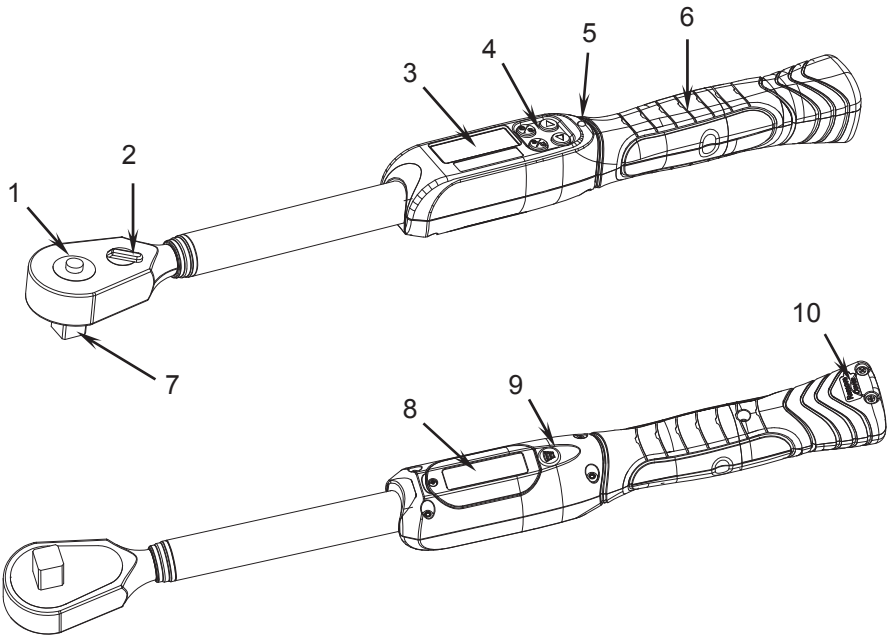
**Recommended operating temperature is 0-50°C(32-122°F).
Always replace damaged fasteners before applying torque.**

SYMBOLS

The label on your tool may include the following symbols. The symbols and their definitions are as follows:

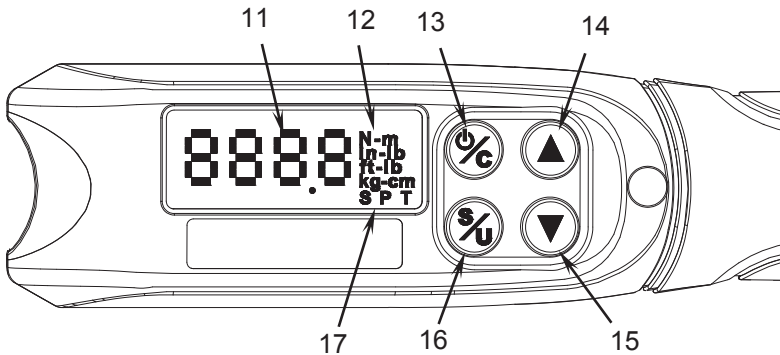
SYMBOL	NAME	EXPLANATION
V	Volts	Voltage (potential)
kg	Kilograms	Weight
==	Direct Current	Type of Current

FUNCTIONAL DESCRIPTION



CONTROLS AND COMPONENTS:

- | | |
|--------------------------|----------------------------|
| 1. Socket Release Button | 2. Reverse Control Button |
| 3. LCD Panel | 4. Operation Button |
| 5. LED Warning Light | 6. Anti-slip Handle |
| 7. 1/2" Square | 8. Calibrate Button Inside |
| 9. Beeper | 10. Battery Cover |



- | | |
|--------------------------|--------------------------|
| 11. Torque Value Display | 12. Measuring Units>(*1) |
| 13. Power/Reset Button | 14. Up Button |

English

15. Down Button

16. Unit/Torque Setting Button

17. Modes Select(*2)

EXPOSITION:

*1 Measuring Units:

1. **N-m**: Newtown Meters
2. **kg-cm**: Kilogram Centimeters
3. **ft-lb**: Foot Pounds
4. **in-lb**: Inch Pounds

*2 Modes:

1. **S**: Set Mode
2. **P**: Peak Mode
3. **T**: Trace Mode

SPECIFICATIONS

Model Number	ARM601-3	ARM601-4
Drive	3/8" Square	1/2" Square
Voltage	6 Vdc	
Head Type	Quick Release Ratchet	
Length	12-3/8" (315 mm)	17-5/16" (440 mm)
Accuracy ►CW	±2% from 20% to 100% of full scale	
Accuracy ►CCW	±3% from 20% to 100% of full scale	
Operation Range	36.9(ft-lb)	147.5(ft-lb)
	443(in-lb)	1770(in-lb)
	50(Nm)	200(Nm)
	510(kg-cm)	2039(kg-cm)
Setting Range	3.7-36.9(ft-lb)	14.8-147.5(ft-lb)
	44-443(in-lb)	177-1770(in-lb)
	5-50(Nm)	20-200(Nm)
	51-510(kg-cm)	204-2039(kg-cm)
Resolution	0.1 ft-lb, 1 in-lb, 0.1 N-m, 1 kg-cm	
Operation Mode	Peak / Trace	
Power Saving Mode	After 60 seconds of No Use	
Operating Temperature	0~50°C (32~122°F)	
Storage Temperature	-10~60°C (14~140°F)	
Battery	AAA (Alkaline) Battery x 4	
Tool Weight	1.41 lbs (0.64kg)	2.20 lbs (1.00kg)

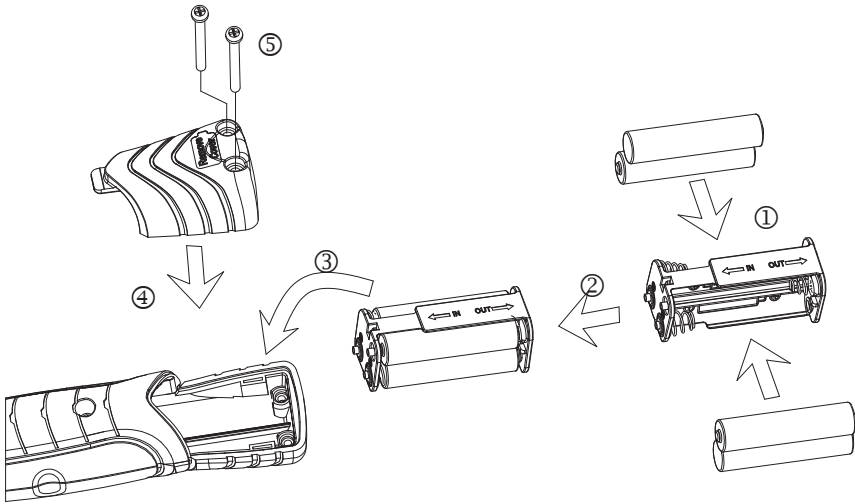
ASSEMBLY

BATTERY INSTALL AND REPLACEMENT

Loosen the 2 screws on the battery cover by a screwdriver.

1. Prepare 4 new coin cells of “AAA (Alkaline) Battery”.
2. Install batteries in the battery cartridge.
3. Install cartridge in the wrench handle.
4. Cover the wrench handle with the battery cover.
5. Tighten the screws to fix the battery cover.

If doing the replacement, then do it reversely.



NOTE

1. When cell capacity is low, the digits on the display will be not clear.
2. Remove the batteries if stored for a long period of time.
3. Keep spare batteries on hand when going on a long trip or to cold areas.
4. Do not mix the type of batteries or combine used batteries with new ones.
5. Sweat, oil and water can prevent a batteries' terminal from making electrical contact. To avoid this, wipe both terminals before loading a battery.
6. Battery life depends on battery quality and the amount of buzzer is used.
7. Dispose of batteries in a designated disposal area. Do not throw batteries into a

fire.

OPERATION

⚠ WARNING

To reduce the risk of injury, wear safety goggles or glasses with side shields. Always remove battery pack before changing accessories or making adjustments.

POWER ON

Press and release the Power Button (13) to turn the digital torque tool on.

ZERO FUNCTION

When powers on, the digital torque tool can be zeroed at measure mode by press and release the Power Button (13).

NOTE

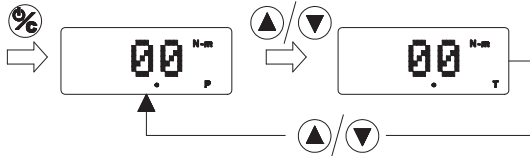
Do not zero at the torque is applying on the digital torque tool.

HOW TO SET PEAK MODE OR TRACE MODE

Press and release the Down Button (15) or Up Button (14) to select the mode you need.

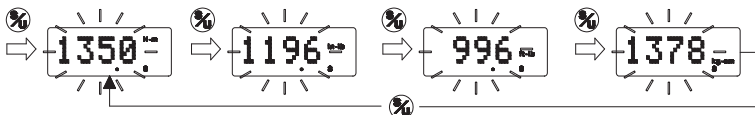
TRACE MODE: When in track mode the wrench will display real-time torque.

PEAK MODE: When in peak mode the wrench will hold the highest measured reading on the display until “zero-clear” by pressing and releasing the Power button (13).



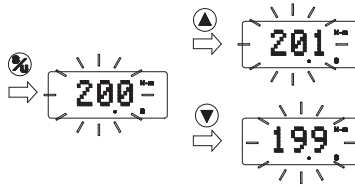
HOW TO SELECT UNIT

1. Press the Setting Button (16) more than 2 seconds to Set Mode.
2. When you see the digits start blinking, press the Setting Button (16) again to select the desired measuring unit.
3. When the desired measuring unit is displayed, press the Setting Button (16) 2 seconds to confirm your selection. (or wait for 5 seconds the system will automatically confirm your selection)



SETTING TORQUE ALARM VALUE

1. Press the Setting Button (16) more than 2 seconds to Set Mode.
2. When you see the digits start blinking, press the Up Button (14) and Down Button (15) discontinuously to adjust the target torque value.
3. If you want to quickly go through to the target torque value, just press it the Up Button (14) and Down Button (15) continuously.
4. When the target torque value is displayed, press the Setting Button (16) 2 seconds to confirm your selection. (or wait for 5 seconds the system will automatically confirm your selection)



NOTE

1. When you are reaching 90% of the target torque value, an intermittent buzzer will start to warn you.
2. When the target torque value is reached, a high-frequency buzzer will warn you not to pull further.

MEMORY FUNCTION

The system will memory the “mode” and “unit” selection which you set even you change coin cells.

RESET MEMORY FUNCTION

To clean the memory, just press the Down Button (15) and Up Button (14) together for 2 seconds.

COUNT FUNCTION

Just press the Power Button (13) and Up Button (14) together to show how much times this wrench has been used.

NOTE

The system will record this time automatically when the torque value reaches the target torque value you set. The counter unit is thousand as shown “K”, and the maximum is 999K.

OVERLOAD ALARM/RECORD

The system will show “999” on the display if the torque exceeds 120% of the maximum torque, and a high-frequency buzzer will warn you not to pull further. After that the “999” will be shown for 1 second every time when you power on this wrench.

NOTE

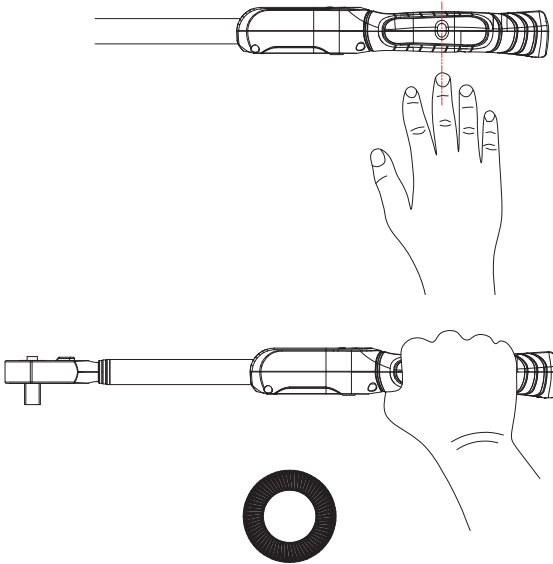
Overload will damage this wrench and lose its accuracy. Please return this wrench to an authorized service center to calibrate it and eliminate the “999”.

AUTO POWER OFF/POWER OFF

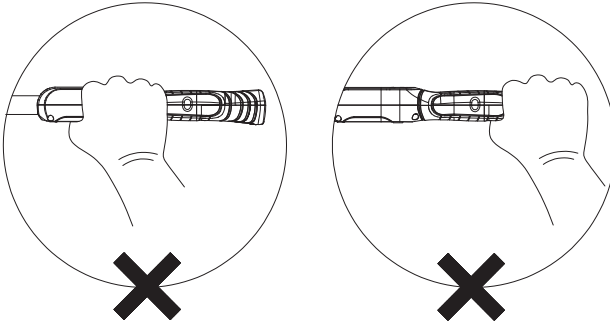
This wrench will be shut off automatically after 60 seconds of no use. Or directly shut off the wrench, just press the Power Button (13) more than 2 seconds.

HOW TO USE AS A TORQUE WRENCH

Connects this wrench and a socket together. Then handle the wrench handle center as shown below.

**INCORRECT OPERATION**

The torque or force only applies on the handle center.



MAINTENANCE

⚠ WARNING

Remove batteries before cleaning.

CLEANING

1. Use a soft, dry, clean-cloth clean the wrench and LCD panel.
2. Clean torque wrench by wiping. Do not immerse.
3. Store torque wrench in protective case at its lowest torque setting. Do not force handle below lowest setting.
4. If the wrench gets wet, wipe it with a dry towel as soon as possible. The salt in seawater can be especially damaging.
5. Do not use organic solvents, such as alcohol or paint thinner when cleaning the wrench.

LUBRICATE

1. The wrench's internal mechanism is permanently lubricated during assembly. **Do not attempt to lubricate the internal mechanism.**

ACCESSORIES

Use only accessories that are recommended by the manufacturer for your model. Accessories that may be suitable for one tool may become hazardous when used on another tool.

Recommended accessories for use with your tool are available at extra cost from your local service center.

IMPORTANT: To assure product SAFETY and RELIABILITY, repairs, maintenance and adjustments should be performed by certified service centers or other qualified service organizations, always using identical replacement parts.

PROTECTING THE ENVIRONMENT

English

Before disposing of damaged, check with your state Environmental Protection Agency to find out about special restrictions on the disposal of tool or return them to a certified service center for recycling.



ACDelco, ACDelco Emblem and the ACDelco related graphics are General Motors Trademarks used under license to Mobiletron Electronics Co., Ltd.

MERCI D'AVOIR CHOISI CE PRODUIT

ACDelco offre des produits à des prix abordables et nous espérons que ce produit et notre support technique vous satisferont pleinement. Si vous avez besoin d'assistance, n'hésitez pas à nous contacter.

UTILISATION PREVUE

Cet outil est uniquement prévu pour une utilisation personnelle et manuelle.

Cet outil dynamométrique numérique affiche les paramètres de spécification du couple de serrage, les lectures de couple et les mesures de la retenue en crête. Il est recommandé de l'utiliser en extérieur.

RÈGLES GÉNÉRALES DE SÉCURITÉ

AVERTISSEMENT

LISEZ ET COMPRENEZ TOUTES LES INSTRUCTIONS. Le non respect des instructions

listées ci-dessous risquera d'engendrer une électrocution, un incendie et/ou des blessures graves. Le terme « outil électrique » dans tous les avertissements ci-dessous réfère à votre outil électrique branché sur le secteur (avec cordon) ou à votre outil électrique alimenté par une batterie (sans cordon).

CONSERVEZ CES INSTRUCTIONS EN CAS DE BESOIN FUTUR

SACHEZ RECONNAITRE LES SYMBOLES, LES MOTS, ET LES AVIS DE SECURITE

Le but des instructions de sécurité fournies dans ce manuel n'est pas de couvrir tous les cas possibles pouvant se présenter pendant le fonctionnement, la maintenance et le nettoyage des outils.

Faites toujours preuve de bon sens et faites particulièrement attention aux instructions marquées **DANGER**, **AVERTISSEMENT**, **ATTENTION** et **AVIS** dans ce manuel.



C'est le symbole d'alerte de sécurité. Il est utilisé pour vous avertir d'un risque de dommages corporels. Obéissez à tous les messages de sécurité qui suivent ce symbole pour éviter tous risques de dommages corporels.

 **DANGER**

DANGER indique une situation dangereuse imminente qui, si elle n'est pas évitée, risque d'entraîner la mort ou des dommages corporels graves.

 **AVERTISSEMENT**

AVERTISSEMENT indique une situation potentiellement dangereuse qui, si elle n'est pas évitée, risque d'entraîner la mort ou des dommages corporels graves.

 **ATTENTION**

ATTENTION indique une situation potentiellement dangereuse qui, si elle n'est pas évitée, risque d'entraîner des dommages corporels mineurs ou modérés.

Français

AVIS

AVIS fournit des informations supplémentaires utiles pour l'utilisation et la maintenance de cet outil. Assurez-vous de comprendre parfaitement les AVIS indiqués.

IDENTIFICATION D'ÉTIQUETTE D'AVERTISSEMENT



Lisez les manuels avant d'utiliser le produit.



Port de protection oculaire.



Positionnez votre corps de manière bien équilibrée et stable. Ne jouez pas au plus malin lorsque vous utilisez cet outil.



Il y a un risque que vos mains, vos doigts ou d'autres parties de votre corps soient prises ou s'enroulent autour de la boîte de vitesse ou d'autres éléments en mouvement.



Risque de choc électrique.



Commission fédérale des communications (FCC en anglais).

RÈGLES IMPORTANTES DE SÉCURITÉ

⚠ DANGER

Risque de particules volantes

AVERTISSEMENT: Un surcouple peut entraîner des cassures. Une force excessive sur les arrêteurs de la tête articulée peut entraîner une cassure de la tête. Une clé dynamométrique qui n'est plus étalonnée peut entraîner une cassure de l'outil ou d'un composant. L'utilisation d'outils manuels, de douilles ou d'accessoires cassés risque d'engendrer des blessures. Une force excessive peut causer un glissement du pied-de-biche ou de la clé polygonale ouverte.

ESPACE DE TRAVAIL

⚠ AVERTISSEMENT

Gardez les enfants et les spectateurs hors d'atteinte pendant le fonctionnement d'un outil électrique. Des distractions peuvent vous faire perdre le contrôle.

Gardez votre espace de travail propre et bien éclairé. Le désordre et le manque d'éclairage sont des conditions propices aux accidents.

N'utilisez pas les outils dynamométriques numériques dans des endroits où il y a des risques d'explosion, comme en présence de liquides inflammables, de gaz ou de poussière. Les outils dynamométriques numériques font des étincelles qui risquent d'enflammer les poussières ou les émanations.

SÉCURITÉ ÉLECTRIQUE

⚠ AVERTISSEMENT

Un choc électrique risque de vous blesser.

Le composant en plastique n'est pas isolé.

N'utilisez pas l'outil sur des circuits électriques sous tension.

SÉCURITÉ PERSONNELLE

⚠ AVERTISSEMENT

Restez attentif, faites attention à ce que vous faites et utilisez votre bon sens lorsque vous utilisez l'outil électrique. N'utilisez pas un outil électrique quand vous êtes fatigué ou sous l'influence de drogue, d'alcool ou de médicaments. Un moment d'inattention pendant l'utilisation de l'outil électrique peut engendrer des blessures corporelles graves.

Utilisez des équipements individuels de sécurité. Portez toujours des protections pour vos yeux. L'utilisation d'équipement de sécurité comme un masque anti-poussière, des chaussures de sécurité anti-dérapantes, un casque de sécurité ou des protections auditives réduiront les risques de blessures corporelles.

Ne jouez pas au plus malin. Gardez constamment vos appuis et votre équilibre. Ceci permet de mieux contrôler votre outil électrique dans des situations inattendues.

N'exposez pas les outils électriques à la pluie ou à l'humidité. Toute pénétration d'eau à l'intérieur de l'outil augmentera les risques de choc électrique.

Le mécanisme de cliquet peut glisser ou casser si des composants sont sales, mal adaptés ou usés, ou si le levier de direction n'est pas engagé à fond. Des cliquets qui glissent ou cassent risquent de vous blesser.

Tirez mais ne poussez pas sur la poignée de la clé et réglez votre mise au point pour éviter une chute lors de l'application du couple.

UTILISATION ET ENTRETIEN D'UNE BATTERIE

⚠ ATTENTION

Prévu uniquement pour une utilisation manuelle.

N'exercez pas un couple ou une force excessive sur la coque de l'outil. Le couple s'applique uniquement sur la tête.

Ne pas secouer et ne pas cogner l'outil.

N'utilisez jamais cet outil dynamométrique numérique pour desserrer des éléments de fixation filetés.

Cet outil dynamométrique numérique est uniquement prévu pour une utilisation manuelle.

Vérifiez toujours que la capacité de l'outil dynamométrique numérique est correspond ou excède l'application avant de procéder.

Vérifiez toujours l'étalonnage de l'outil dynamométrique numérique si savez ou si vous soupçonnez que sa capacité a été dépassée. Pour garantir la précision des mesures, un étalonnage périodique est nécessaire.

Ne forcez jamais la tête articulée au-delà des arrêtoirs.

Gardez l'outil dynamométrique numérique éloigné des objets magnétiques.

N'appliquez pas de force excessive sur le panneau LCD.

N'utilisez l'outil dynamométrique numérique que pour les utilisations décrites dans ce manuel. N'utilisez pas cet outil dynamométrique numérique comme marteau.

N'utilisez pas cet outil dynamométrique numérique s'il ne fonctionne pas correctement ou s'il a été endommagé.

Vérifiez que tous les composants, y compris les clés, les extensions, les moteurs d'entraînement et les douilles supportent un couple équivalent ou supérieur au couple appliqué par l'outil.

Ne démontez pas l'outil dynamométrique numérique.

Respectez tous les avertissements du fabricant, les précautions et les procédures d'utilisation de cet outil, des équipements et du système.

Utilisez toujours une douille de dimension adéquate pour serrer un élément de fixation.

N'utilisez pas des douilles endommagées ou montrant des signes d'usure ou de fêlure.

N'appliquez pas un couple excédant la capacité nominale, que l'outil dynamométrique numérique soit allumé ou éteint. Éviter les effets de choc. Un surcouple (120% de la plage de couple max.) peut causer une fuite ou une perte de précision.

N'opérez jamais l'outil dynamométrique numérique quand il est éteint. Allumez toujours l'outil avant d'appliquer un couple.

N'appuyez pas sur le bouton ON/ZERO pendant l'application d'un couple.

ATTENTION

Dans des conditions abusives, du liquide risque d'être éjecté de la batterie. Évitez tout contact. Si un contact se produit accidentellement, rincez abondamment à l'eau. Si du liquide entre en contact avec vos yeux, consultez votre médecin. Le liquide éjecté de la batterie cause des irritations ou des brûlures.

N'exposez pas cet outil dynamométrique numérique à la poussière ou au sable car cela peut causer de sérieux dommages. N'exposez pas l'outil dynamométrique numérique à des températures extrêmes, à l'humidité, aux rayons directs du soleil ou à des chocs violents.

RÉPARATION

La réparation de l'outil doit être effectuée par un technicien qualifié. Toute réparation ou maintenance effectuée par un technicien non qualifié risquera de causer des blessures.

Lors de la réparation d'un outil, utilisez uniquement des pièces de rechange identiques. Suivez les instructions dans la section Maintenance de ce manuel. L'utilisation de pièces non autorisées ou le non respect des instructions de maintenance créera un risque de choc électrique ou de blessures.

RÈGLES ET SYMBOLES SPÉCIFIQUES DE SÉCURITÉ


ATTENTION

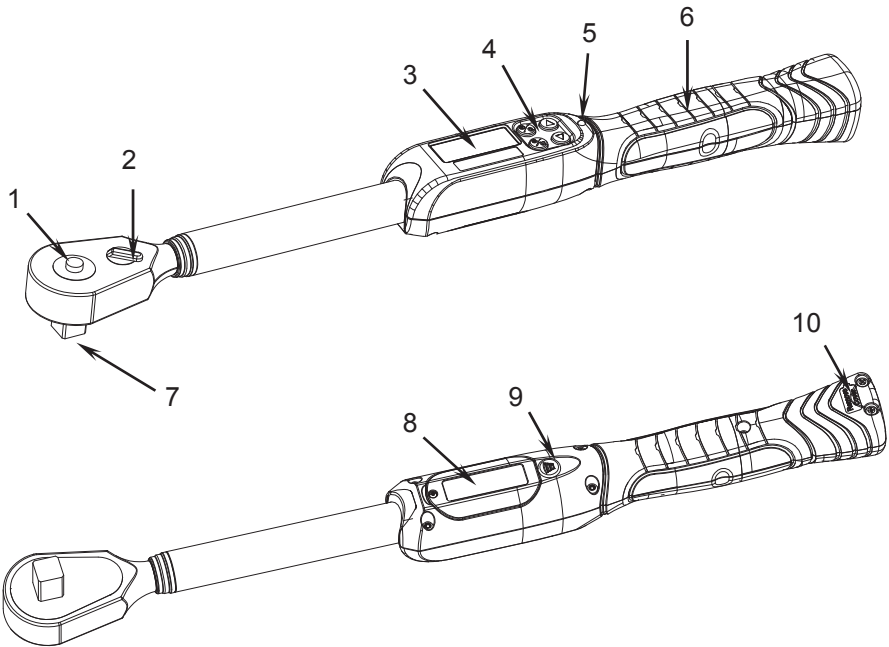
La plage de température de fonctionnement recommandée est 0-50°C (32-122°F).

Remplacez toujours des éléments de fixation endommagés avant d'appliquer un couple.

SYMBOLES

L'étiquette sur votre outil inclut les symboles suivants. Les symboles et leurs définitions sont :

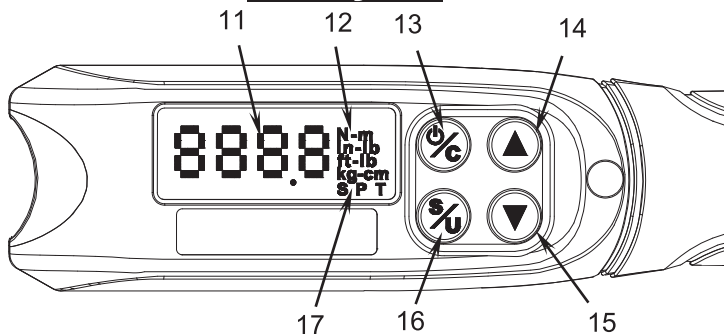
SYMBOLE	NOM	DESCRIPTION
V	Volts	Tension (potentiel)
kg	Kilogrammes	Poids
	Courant direct	Type de courant



COMMANDES ET COMPOSANTS:

- | | |
|---------------------------------------|-------------------------------------|
| 1. Bouton de libération de la douille | 2. Bouton de marche arrière |
| 3. Écran LCD | 4. Bouton d'opération |
| 5. Témoin lumineux d'avertissement | 6. Poignée anti-dérapante |
| 7. 1/2" Carré | 8. Intérieur du bouton d'étalonnage |
| 9. Avertisseur | 10. Capot du compartiment à piles |

Français



- 11. Affichage de la valeur du couple
- 12. Unités de mesure (*1)
- 13. Bouton Marche/Arrêt et Réinitialiser
- 14. Bouton haut
- 15. Bouton bas
- 16. Bouton Configuration Unité/Couple
- 17. Sélection des modes (*2)

EXPOSITION:

*1 Unités de mesure:

1. **N-m:** Newton-mètre
2. **kg-cm:** kilogrammes-centimètres
3. **ft-lb:** pied-livre
4. **in-lb:** pouce-livre

*2 Modes:

1. **S:** Définir le mode
2. **P:** Mode crête
3. **T:** Mode tracé

SPÉCIFICATIONS

Numéro de modèle	ARM601-3	ARM601-4
Entraînement	3/8" Carré	1/2" Carré
Tension	6 Vdc	
Type de tête	Cliquet à libération rapide	
Long.	12-3/8" (315 mm)	17-5/16" (440 mm)
Précision ► CW	±2 % de 20% à 100% de l'échelle totale	
Précision ► CCW	±3 % de 20% à 100% de l'échelle totale	
Plage d'opération	36.9(ft-lb)	147.5(ft-lb)
	443(in-lb)	1770(in-lb)
	50(Nm)	200(Nm)
	510(kg-cm)	2039(kg-cm)
Plage de réglage	3.7-36.9(ft-lb)	14.8-147.5(ft-lb)
	44-443(in-lb)	177-1770(in-lb)

Français

	5-50(Nm)	20-200(Nm)
	51-510(kg-cm)	204-2039(kg-cm)
Résolution	0.1 ft-lb, 1 in-lb, 0.1 N-m, 1 kg-cm	
Mode de fonctionnement	Crête / Tracé	
Arrêt automatique	Après 60 minutes d'inactivité	
Température de fonctionnement	0 à 50°C (32 à 122°F)	
Température de stockage	-10 à 60°C (14 à 140°F)	
Piles	AAA (Alkaline) Batterie x 4	
Poids de l'outil	1.41 lbs (0.64kg)	2.20 lbs (1.00kg)

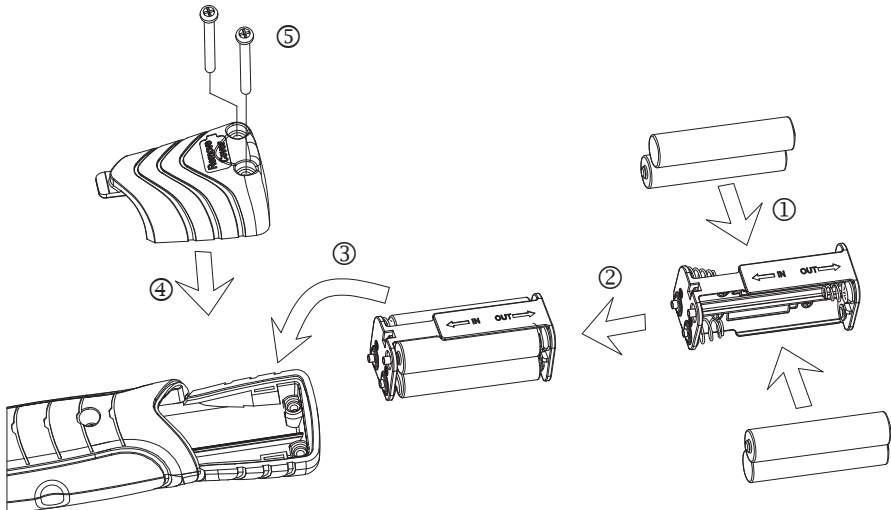
MONTAGE

INSTALLATION ET REMPLACEMENT DES PILES

Desserrez les 2 vis sur le capot des piles avec un tournevis.

1. Préparez 4 piles AAA.
2. Installez-les dans le compartiment à piles.
3. Installez le compartiment à piles dans la poignée de l'outil.
4. Remettez le capot sur la poignée de l'outil.
5. Serrez les vis pour fixer le capot.

Dans le cas d'un remplacement, suivez la même procédure dans le sens inverse.



AVIS

1. Lorsque les piles sont faibles, l'afficheur numérique ne sera plus clair.
2. Retirez les piles en cas de stockage prolongé.
3. Gardez des piles de rechange à portée de main quand vous partez pour un long voyage ou dans des régions froides.
4. Ne mélangez pas des piles neuves avec des piles usagées.
5. La sueur, l'huile et l'eau peuvent gêner un bon contact électrique entre une pile et son connecteur. Pour éviter ce type de situation, essayez les connecteurs avant d'installer une pile.
6. La durée de vie des piles dépend de leur qualité et du nombre d'utilisations de l'alarme.
7. Recyclez les piles usagées dans les points de collecte prévus à cet effet. Ne jetez pas les piles dans le feu.

OPÉRATION

AVERTISSEMENT

Pour réduire les risques de blessures, portez un masque ou des lunettes de sécurité avec écrans latéraux. Retirez toujours la batterie avant de changer les accessoires ou de faire des réglages.

ALLUME

Appuyez et relâchez le bouton Marche/Arrêt (13) pour mettre l'outil dynamométrique numérique sous tension.

FONCTION ZERO

Lors de la mise sous tension, l'outil dynamométrique numérique peut être mis à zéro en mode de mesure en appuyant et en relâchant le bouton Marche/Arrêt (13).

AVIS

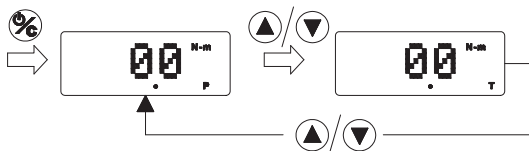
N'effectuez pas une mise à zéro si un couple est appliqué sur l'outil dynamométrique numérique.

COMMENT PUIS-JE SELECTIONNER LE MODE CRETE OU LE MODE TRACE?

Appuyez et relâchez le bouton bas (15) ou le bouton haut (14) pour sélectionner le mode souhaité.

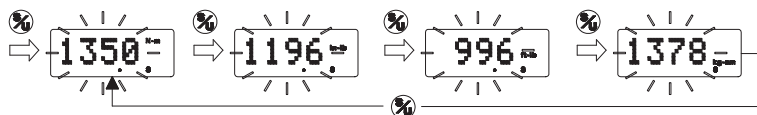
MODE TRACE : En mode tracé, la clé affiche le couple en temps réel.

MODE CRETE : En mode crête, la clé conserve la lecture de mesure la plus haute sur l'afficheur jusqu'à ce qu'une "mise à zéro" soit effectuée (appui et relâche du bouton Marche/Arrêt (13)).



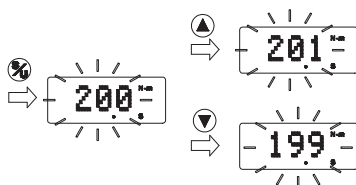
SELECTION DE L'UNITE

1. Appuyez sur le bouton Marche/Arrêt (16) pendant plus de 2 secondes pour définir le mode.
2. Lorsque les chiffres commencent à clignoter, appuyez de nouveau sur le bouton de configuration (16) pour sélectionner l'unité de mesure souhaitée.
3. Lorsque l'unité de mesure souhaitée s'affiche, appuyez sur le bouton de configuration pendant (16) 2 secondes pour confirmer votre sélection. (ou patientez 5 secondes et le système confirmera automatiquement votre sélection)



CONFIGURATION DE LA VALEUR DE L'ALARME DU COUPLE

1. Appuyez sur le bouton Marche/Arrêt (16) pendant plus de 2 secondes pour définir le mode.
2. Lorsque les chiffres commencent à clignoter, appuyez sur le bouton haut (14) et le bouton bas (15) de manière discontinue pour régler la valeur cible du couple.
3. Pour aller directement à la valeur cible du couple, appuyez simplement sur le bouton haut (14) et le bouton bas (15) de manière continue.
4. Lorsque la valeur du couple souhaitée s'affiche, appuyez sur le bouton Marche/Arrêt pendant (16) 2 secondes pour confirmer votre sélection. (ou patientez 5 secondes et le système confirmera automatiquement votre sélection)



AVIS

1. Lorsque vous atteignez 90% de la valeur cible du couple, une alarme intermittente vous avertit.
2. Lorsque la valeur cible du couple est atteinte, une alarme stridente vous avertira de ne plus tirer.

FONCTION MEMOIRE

Le système mémorise la sélection du « mode » et de l'« unité » que vous avez choisi même si vous changez les piles.

REINITIALISER LA FONCTION MEMOIRE

Pour effacer la mémoire, appuyez simultanément sur le bouton bas (15) et le bouton haut (14) pendant 2 secondes.

FONCTION COMPTEUR

Appuyez simultanément sur le bouton Marche/Arrêt (13) et le bouton haut (14) pour afficher la durée d'utilisation de cette clé.

AVIS

Le système enregistre automatiquement cette durée quand la valeur du couple atteint la valeur cible que vous avez définie. L'unité du compteur est le millier comme l'indique le "K", et le maximum est 999K.

ALARME DE SURCHARGE/ENREGISTREMENT

Le système affiche « 999 » à l'écran si le couple excède 120% du couple maximum et une alarme stridente se déclenche pour vous avertir de ne plus tirer. Par la suite, «999 » s'affichera pendant 1 seconde à chaque fois que vous allumez cette clé.

AVIS

La surcharge endommagera la clé et elle perdra sa précision. Renvoyez le clé à un centre de réparation agréé pour l'étalonner et éliminer le message d'erreur («999 »).

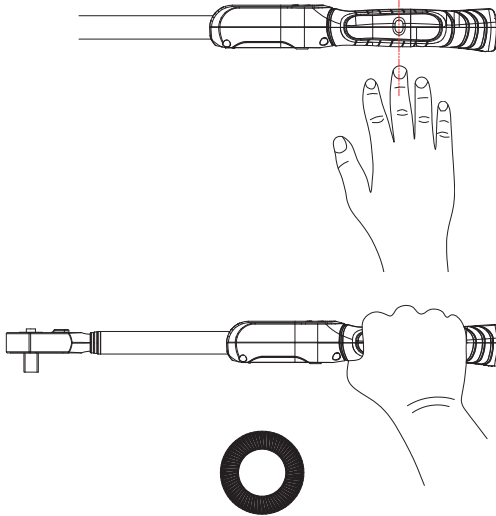
ARRET AUTO/ARRET

Cette clé s'arrête automatiquement après 60 secondes d'inactivité. Ou pour arrêter directement la clé, appuyez simplement sur le bouton Marche/Arrêt (13) plus de 2 secondes.

COMMENT L'UTILISER COMME UNE CLE DYNAMOMETRIQUE?

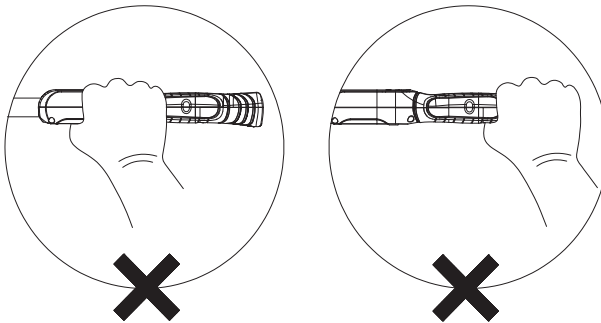
Connectez ensemble cette clé avec une douille. Puis maintenez le centre de la poignée de la clé comme illustré ci-dessous.

Français



FONCTIONNEMENT INCORRECT

Le couple s'applique uniquement au centre de la poignée.



MAINTENANCE

⚠ AVERTISSEMENT

Retirez les piles avant de nettoyer l'outil.

NETTOYAGE

1. Utilisez un chiffon doux, sec et propre pour nettoyer la clé et l'écran LCD.
2. Nettoyez la clé dynamométrique en l'essuyant. N'immergez pas l'outil.
3. Stockez la clé dynamométrique dans un boîtier de protection et réglez-la sur son couple le plus faible. Ne forcez pas la poignée au-delà du réglage le plus faible.
4. Si la clé est mouillée, essuyez-la aussitôt avec une serviette sèche. Le sel dans l'eau salé est particulièrement corrosif.

Français

5. N'utilisez pas des solvants organiques comme de l'alcool ou des diluants pour nettoyer la clé.

LUBRIFICATION

1. Le mécanisme interne de la clé est lubrifié de manière permanente pendant l'assemblage. **N'essayez pas de lubrifier le mécanisme interne.**

ACCESSOIRES

Utilisez uniquement les accessoires recommandés par le fabricant pour votre modèle. Les accessoires adaptés à un outil peuvent devenir dangereux s'ils sont utilisés avec un autre outil.

Les accessoires recommandés pour votre outil sont disponibles auprès de votre centre de services local pour un coût supplémentaire.

IMPORTANT: Pour garantir la SÉCURITÉ et la FIABILITÉ, les réparations, la maintenance et les réglages doivent être effectués par des centres de services certifiés ou d'autres organisations de services agréées en utilisant toujours des pièces de rechange identiques.

PROTECTION DE L'ENVIRONNEMENT

Avant de jeter les composants endommagés, vérifiez auprès de votre agence de protection de l'environnement pour connaître les restrictions spécifiques concernant le recyclage des outils ou leur retour dans un centre de recyclage agréé.



ACDelco, l'emblème de ACDelco et les illustrations associées à ACDelco sont des marques commerciales déposées de General Motors utilisées sous licence à Mobiletron Electronics Co., Ltd.

GRACIAS POR ELEGIR ESTE PRODUCTO

ACDelco le ofrece productos a un precio asequible y nos gustaría que quedara completamente satisfecho con este producto y nuestro soporte técnico. Si necesita ayuda o consejo, contacte con nosotros.

USO INTENCIONADO

Esta herramienta es sólo para uso personal y manual.

Esta herramienta digital de torque muestra los valores de las especificaciones de torque del cierre, lecturas de torque y mediciones de picos. Uso recomendado en interior.

NORMAS DE SEGURIDAD GENERAL

ADVERTENCIA

LEA Y COMPRENDA TODAS LAS INSTRUCCIONES. Si no sigue todas las instrucciones siguientes podría provocar descarga eléctrica, fuego y/o lesiones serias. El término "herramienta de potencia" en todas las advertencias listadas a continuación se refiere a su herramienta de potencia por corriente (con cable) o a herramienta de potencia (sin cable).

GUARDE ESTAS INSTRUCCIONES PARA SU REFERENCIA EN EL FUTURO

RECONOCER LOS SIMBOLOS, PALABRAS Y ETIQUETAS DE SEGURIDAD

Las instrucciones de seguridad ofrecidas en este manual no pretenden cubrir todas las condiciones y prácticas posibles que puedan ocurrir al utilizar, mantener y limpiar las herramientas de corriente.

Utilice siempre el sentido común y preste especial atención a todos los avisos de **PELIGRO, ADVERTENCIA, PRECAUCIÓN** y **NOTA** en este manual.



Éste es el símbolo de alerta de seguridad. Se utiliza para avisarle de posibles peligros de lesiones personales. Siga todos los mensajes de seguridad junto a este símbolo para evitar posibles lesiones o muerte.

PELIGRO

PELIGRO indica una situación de peligro inminente que, si no se evita, tendrá como resultado la muerte o lesiones serias.

ADVERTENCIA

ADVERTENCIA indica una situación potencialmente peligrosa que, si no se evita, podría tener como consecuencia la muerte o lesiones serias.

PRECAUCIÓN

PRECAUCIÓN indica una situación potencialmente peligrosa que, si no se evita, podría tener como consecuencia lesiones menores o moderadas.

NOTA

NOTA ofrece información adicional que resulta útil para un uso y mantenimiento adecuados de esta herramienta. Si ve una NOTA asegúrese de entenderla por completo.

IDENTIFICACION DE LA ETIQUETA DE ADVERTENCIA



Lea los manuales antes de utilizar el producto.



Lleve protección para los ojos.



Mantenga el cuerpo firme y equilibrado. No se sobreesfuerce al utilizar esta herramienta.



Existe el riesgo de pillarse o engancharse las manos, dedos u otras partes del cuerpo en el engranaje u otras partes móviles.



Existe el riesgo de descarga eléctrica.



Comisión Federal de Comunicaciones.

NORMAS DE SEGURIDAD IMPORTANTES

⚠ PELIGRO

Riesgo de partículas flotantes

ADVERTENCIA: Puede romperse con un torque excesivo. Si se fuerzan los topes de flexión sobre el cabezal de flexión puede provocar la rotura del cabezal. Una llave con el torque fuera del límite de calibrado puede provocar que la herramienta o alguna parte se rompan. Las herramientas de mano, bocas o accesorios rotos pueden provocar lesiones. Si aplica fuerza excesiva puede provocar que la llave para racores se escape.

ÁREA DE TRABAJO

⚠ ADVERTENCIA

Mantenga a los niños y curiosos lejos de una herramienta de potencia. Las distracciones pueden provocar que pierda el control de la máquina.

Mantenga el área de trabajo limpia y bien iluminada. Las áreas atestadas y oscuras invitan a los accidentes.

No utilice herramientas de torque digital, como en presencia de líquidos inflamables, gases o polvo. Las herramientas de torque digital crean chispas que pueden incendiar el polvo o los humos.

ADVERTENCIA

La descarga eléctrica puede provocar lesiones.

La parte de plástico no está aislada.

No utilizar en circuitos eléctricos con corriente.

SEGURIDAD PERSONAL

ADVERTENCIA

Manténgase atento, mire lo que está haciendo y utilice el sentido común cuando trabaje con una herramienta de potencia. No utilice una herramienta de potencia si está cansado o bajo la influencia de drogas, alcohol o medicación. Un momento de distracción durante la utilización de herramientas de potencia puede resultar en graves lesiones personales.

Utilice equipo de seguridad personal. Lleve siempre protección en los ojos. El equipo de seguridad como una máscara antipolvo, zapatos de seguridad antideslizantes, casco duro y protección auditiva, cuando se utiliza en las condiciones adecuadas, reducirá las lesiones personales.

No realice sobreesfuerzos. Manténgase bien apoyado y equilibrado con los pies en todo momento. Esto permite un mejor control de la herramienta de potencia en situaciones inesperadas.

No exponga las herramientas de torque digital a la lluvia o ambientes húmedos. Si entra agua en una herramienta de torque digital aumentará el riesgo de descarga eléctrica.

El mecanismo de raqueta puede soltarse o romperse si está sucio, no coincide o si se utilizan partes desgastadas o si la palanca de dirección no está enganchada por completo. Las raquetas que se sueltan o se rompen pueden provocar lesiones.

Siempre tire, no empuje, sobre el mango de la llave y asegure su postura para evitar una posible caída cuando aplique el torque.

PRECAUCIÓN

Sólo para uso manual.

No aplicar torque excesivo o forzar la carcasa de la herramienta. El torque sólo se aplica al cabezal del destornillador.

No agitar ni golpear.

Nunca utilice esta herramienta de torque digital para aflojar cierres.

Esta herramienta de torque digital es sólo para uso manual.

Verifique siempre que la capacidad de la herramienta de torque digital coincida o exceda la necesidad de cada aplicación antes de comenzar.

Verifique siempre el calibre de la herramienta de torque digital si sabe o sospecha que se ha sobrepasado su capacidad. Para mayor seguridad necesita realizar un recalibrado periódico preciso.

Nunca fuerce el cabezal del destornillador de cabezal flexible contra los topes.

Mantenga esta herramienta de torque digital alejada de campos magnéticos.

No aplicar fuerza excesiva en la pantalla LCD.

Utilice la herramienta de torque digital sólo para su uso intencionado descrito en este manual. No utilice esta herramienta de torque digital como martillo.

No utilice la herramienta de torque digital si no funciona correctamente o si ha sufrido daños.

Asegúrese de que todos los componentes, incluyendo llaves, extensiones, destornilladores y bocas están clasificados para coincidir o exceder el torque que se va a aplicar con la herramienta.

No desmonte la herramienta de torque digital.

Fíjese en todas las advertencias del equipo, sistema y fabricante, precauciones y procedimientos cuando utilice esta herramienta de torque digital.

Siempre utilice la boca del tamaño correcto para el cierre que se va a torqulear.

No utilice bocas dañadas, con señales de desgaste o roturas.

No aplique un torque que exceda la capacidad indicada, independientemente de si la herramienta de torque digital está encendida o apagada. Evite la carga eléctrica. Un torque excesivo (120% de la capacidad máxima de torque) podría causar rotura o pérdida de precisión.

Nunca utilice la herramienta de torque digital cuando esté apagada. Siempre encienda la herramienta de torque digital antes de aplicar el torque.

No presione el botón ON/ZERO mientras se está aplicando el torque.

USO Y CUIDADOS DE LA BATERÍA DE LA HERRAMIENTA

PRECAUCIÓN

En condiciones de uso abusivo, podría salir líquido de la batería; evite el contacto directo. Si entra en contacto accidental, lávese bien con agua. Si el líquido entra en contacto con los ojos, además de lavarse, busque ayuda médica. El líquido expulsado de una batería puede causar irritación o quemaduras.

No exponga esta herramienta de torque digital al polvo o a la arena, pues podría provocar daños serios. No exponga la herramienta de torque digital a temperaturas extremas, humedad, luz directa del sol o golpes violentos.

SERVICIO

Las reparaciones de la herramienta deben ser realizadas sólo por personal técnico cualificado. La reparación o mantenimiento realizados por personal no cualificado podría provocar el riesgo de lesiones.

Cuando repare una herramienta, utilice solamente partes de repuesto idénticas. Siga las instrucciones de la sección Mantenimiento en este manual. El uso de partes no autorizadas o si no sigue las instrucciones de mantenimiento puede provocar el riesgo de descarga o lesiones.

NORMAS Y SÍMBOLOS DE SEGURIDAD ESPECÍFICOS

PRECAUCIÓN

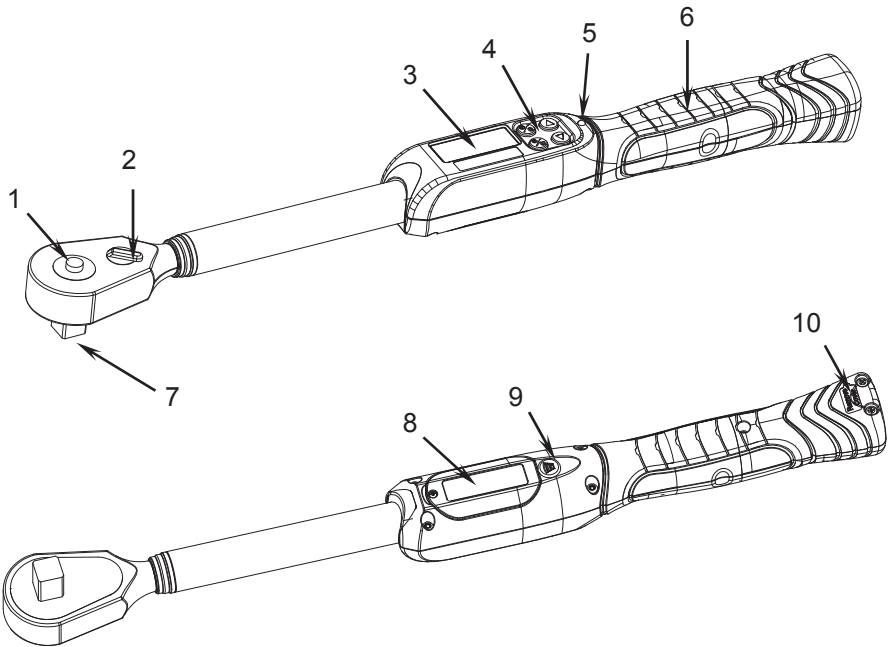
La temperatura de operación recomendada es de 0-50°C(32-122°F).
Cambie siempre los cierres dañados antes de aplicar el torque.

SÍMBOLOS

La etiqueta de la herramienta puede incluir los símbolos siguientes. Los símbolos y sus definiciones son los siguientes:

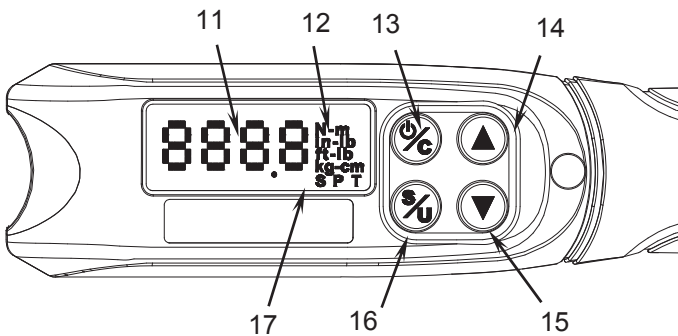
SÍMBOLO	NOMBRE	EXPLICACIÓN
V	Voltios	Voltaje (potencial)
kg	Kilogramos	Peso
===	Corriente Directa (DC)	Tipo de corriente

DESCRIPCIÓN DE LAS FUNCIONES



CONTROLES Y COMPONENTES:

- | | |
|-----------------------------------|---------------------------------|
| 1. Botón de liberación del zócalo | 2 Botón de control inverso |
| 3. Pantalla LCD | 4. Botón de operación |
| 5. LED de luz de advertencia | 6. Agarre antideslizante |
| 7. Cuadro 1/2" | 8. Botón interno de calibración |
| 9. Sonido | 10. Tapa de la batería |



- | | |
|----------------------------------|-----------------------------|
| 11. Pantalla de valor del torque | 12. Unidades de medida.(*1) |
|----------------------------------|-----------------------------|

Español

13. Botón Power/Reset

15. Botón abajo

17. Selección de modos(*2)

14. Botón arriba

16. Botón de configuración de Unidad/Torque

EXPOSICIÓN:

*1 Unidades de medida:

1. **N-m:** Metros newtonianos
2. **kg-cm:** Centímetros por kilogramo
3. **ft-lb:** Libras por pies
4. **in-lb:** Libras por pulgada

*2 Modos:

1. **S:** Ajustar modo
2. **P:** Podo pico
3. **T:** Modo de seguimiento

ESPECIFICACIONES

Número de modelo	ARM601-3	ARM601-4
Eje	3/8" cuadrados macho	1/2" cuadrados macho
Voltaje	6 Vdc	
Tipo de cabeza	Trinquete de liberación rápida	
L	12-3/8" (315 mm)	17-5/16" (440 mm)
Precisión ►CW	±2 % de 20% a 100% de toda la escala	
Precisión ►CCW	±3 % de 20% a 100% de toda la escala	
Rango de operación	36.9(ft-lb)	147.5(ft-lb)
	443(in-lb)	1770(in-lb)
	50(Nm)	200(Nm)
	510(kg-cm)	2039(kg-cm)
Rango de ajuste	3.7-36.9(ft-lb)	14.8-147.5(ft-lb)
	44-443(in-lb)	177-1770(in-lb)
	5-50(Nm)	20-200(Nm)
	51-510(kg-cm)	204-2039(kg-cm)
Resolución	0.1 ft-lb, 1 in-lb, 0.1 N-m, 1 kg-cm	
Modo de operación	Pico / Seguimiento	
Apagado automático	Tras 60 minutos sin usar	
Temperatura de operación	0~50°C (32~122°F)	
Temperatura de almacenamiento	-10~60°C (14~140°F)	

Batería	AAA (Alkaline) Batería x 4	
Peso de la herramienta	1.41 lbs (0.64kg)	2.20 lbs (1.00kg)

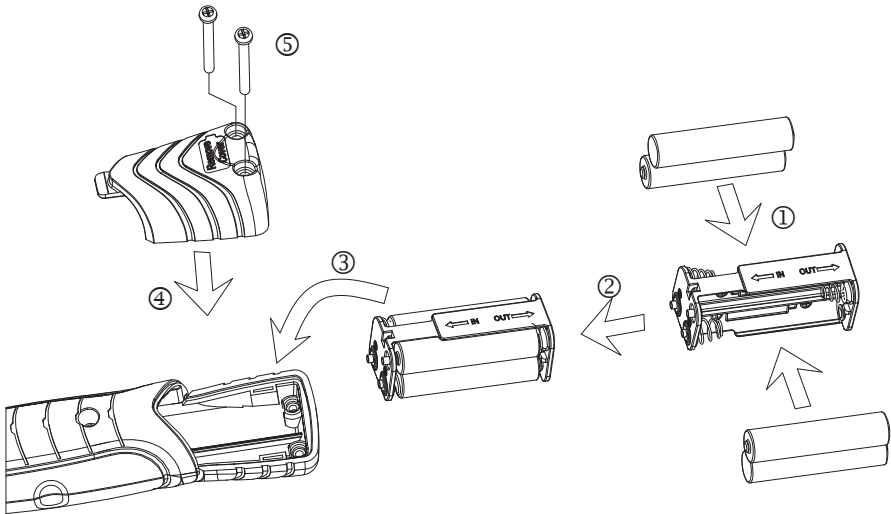
MONTAJE

INSTALACIÓN Y CAMBIO DE BATERÍA

Afloje los 2 tornillos de la tapa de las pilas con un destornillador.

1. Prepare 4 pilas de botón nuevas tipo “pilas AAA (Alkalinas)”.
2. Instale las pilas en el cartucho.
3. Instale el cartucho en el mango de la llave.
4. Cubra el mango de la llave con la tapa de las pilas.
5. Apriete los tornillos para fijar la tapa de las pilas.

Cuando realice el cambio, repita los pasos a la inversa.



NOTA

1. Cuando la capacidad de la pila sea baja, los dígitos de la pantalla no aparecerán claros.
2. Quite las pilas si la herramienta se ha almacenado durante mucho tiempo.
3. Tenga pilas a mano cuando vaya a un viaje largo o a zonas muy frías.
4. No mezcle el tipo de pilas ni combine pilas usadas con pilas nuevas.
5. El sudor, aceite y el agua pueden evitar que el terminal de una pila haga contacto

eléctrico. Para evitar esto, limpie ambos terminales antes de colocar una pila.

6. La duración de una pila depende de la calidad de ésta y la frecuencia de uso del sonido.
7. Tire las pilas en un punto habilitado para ello. No las tire al fuego.

OPERACIÓN

⚠ ADVERTENCIA

Para reducir el riesgo de lesión, lleve gafas de seguridad o gafas con protección lateral. Siempre quite la batería antes de cambiar los accesorios o realizar ajustes.

ENCENDIDO

Presione y suelte el botón de encendido (13) para encender la herramienta de torque digital.

FUNCION CERO

Cuando se encienda, la herramienta de torque digital puede ponerse a cero en modo de medida presionando y liberando el botón de corriente (13).

NOTA

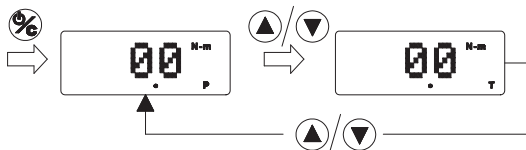
No ponga a cero cuando esté aplicando el torque en la herramienta de torque digital.

COMO AJUSTAR EL MODO PICO O EL MODO DE SEGUIMIENTO

Presione y suelte el botón Abajo (15) o el botón Arriba (14) para seleccionar el modo necesario.

MODO DE SEGUIMIENTO: Cuando está en modo de seguimiento, la llave mostrará un torque en tiempo real.

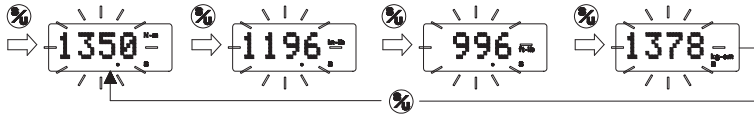
PODO PICO: Cuando está en modo pico la llave mantendrá la lectura de medición más alta en la pantalla hasta que se “ponga a cero” presionando y soltando el botón de encendido (13).



COMO SELECCIONAR LA UNIDAD

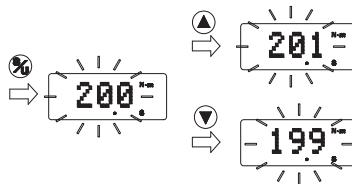
1. Presione el botón de Configuración (16) durante más de 2 segundos para entrar en el modo de Ajuste.
2. Cuando vea que los dígitos comienzan a parpadear, presione el botón de Configuración (16) de nuevo para seleccionar la unidad de medición deseada.

3. Cuando aparezca la unidad de medición deseada, presione el botón de Configuración (16) durante 2 segundos para confirmar su selección. (o espere 5 segundos hasta que el sistema confirme automáticamente su selección)



AJUSTAR EL VALOR DE LA ALARMA DEL TORQUE

1. Presione el botón de Configuración (16) durante más de 2 segundos para entrar en el modo de Ajuste.
2. Cuando vea que los dígitos comienzan a parpadear, presione el botón Arriba (14) y el botón Abajo (15) para ajustar el valor de torque deseado.
3. Si desea pasar rápido por los valores de torque, simplemente mantenga presionado el botón Arriba (14) y el botón Abajo (15).
4. Cuando aparezca el valor de torque deseado, presione el botón de Configuración (16) durante 2 segundos para confirmar su selección. (o espere 5 segundos hasta que el sistema confirme automáticamente su selección)



NOTA

1. Cuando alcance el 90% del valor de torque deseado, comenzará un timbre intermitente de aviso.
2. Cuando se alcance el valor de torque deseado, un timbre más frecuente le avisará para que no tire más.

FUNCION DE MEMORIA

El sistema memorizará la selección de “modo” y “unidad” que ha ajustado incluso cuando cambie las pilas de botón.

RESTAURAR LA FUNCION DE MEMORIA

Para borrar la memoria, simplemente presione el botón Abajo (15) y el botón Arriba (14) juntos durante 2 segundos.

FUNCION DE CONTADOR

Simplemente presione el botón de encendido (13) y el botón Arriba (14) juntos para mostrar las veces que la llave se ha utilizado.

NOTA

El sistema grabará este valor automáticamente cuando el valor del torque alcance el valor de torque deseado que ajustó. El contador muestra los miles con “K”, y el máximo es 999K.

ALARMA/GRABACIÓN DE SOBRECARGA

El sistema mostrará “999” en la pantalla cuando el torque sobrepase el 120% del torque máximo y un timbre frecuente le avisará para que no tire más. Después, el aviso “999” aparecerá 1 segundo cada vez que encienda esta llave.

NOTA

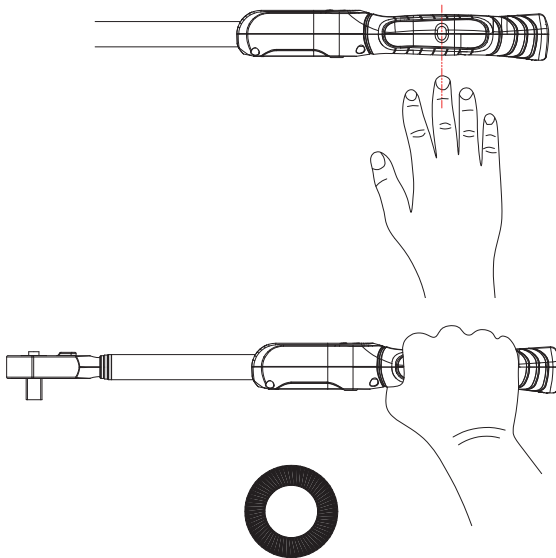
La sobrecarga dañará esta llave y hará que pierda su precisión. Por favor, devuelva esta llave a un centro de servicios autorizado para su calibrarlo y eliminar el mensaje “999”.

APAGADO AUTOMATICO/APAGADO

Esta llave se apagará automáticamente tras 60 segundos si no se utiliza. O directamente apague la llave, simplemente presionando el botón de encendido (13) durante más de 2 segundos.

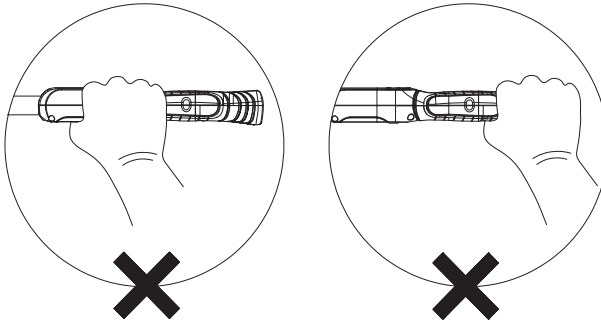
COMO USAR COMO LLAVE DE TORQUE

Conecta esta llave y el zócalo. Luego agarre el centro del mango de la llave como se muestra a continuación.



OPERACION INCORRECTA

El torque o la fuerza sólo se aplican al centro del mango.



MANTENIMIENTO



ADVERTENCIA

Quite las baterías antes de la limpieza.

LIMPIEZA

1. Utilice un trapo suave, seco y limpio para limpiar la llave y la pantalla LCD.
2. Limpie la llave de torque frotando. No la sumerja.
3. Guarde la llave de torque en su carcasa protectora, con su configuración de torque más baja. No fuerce el asa por debajo de su configuración más baja.
4. Si la llave se moja, límpiela con una toalla seca lo antes posible. La sal del agua de mar puede ser muy dañina.
5. No utilice disolventes orgánicos, como alcohol o disolventes de manchas cuando limpie la llave.

LUBRICAR

1. El mecanismo interno de la llave es lubricado continuamente durante el montaje.
No lubrique el mecanismo interno.

ACCESORIOS

Utilice solamente accesorios recomendados por el fabricante para su modelo. Los accesorios que pueden ser útiles para una herramienta pueden convertirse en peligrosos al utilizarlos en otra herramienta.

Los accesorios recomendados para usarlos con la herramienta están disponibles para su compra en su centro local de servicios.

IMPORTANTE: Para una mayor SEGURIDAD y FIABILIDAD del producto, las reparaciones, mantenimiento y ajustes deberán realizarse en centros de servicio

oficiales u otros servicios técnicos cualificados, utilizando siempre componentes idénticos.

PROTECCION DEL MEDIOAMBIENTE

Antes de tirar una unidad dañada, consulte a su Agencia de Protección Medioambiental si existen restricciones especiales sobre la retirada de herramientas o para devolverlas a un centro de servicios para su reciclaje.



ACDelco, el Emblema ACDelco y los gráficos relacionados con ACDelco son Marcas de General Motors usados bajo la licencia de Mobiletron Electronics Co., Ltd.