

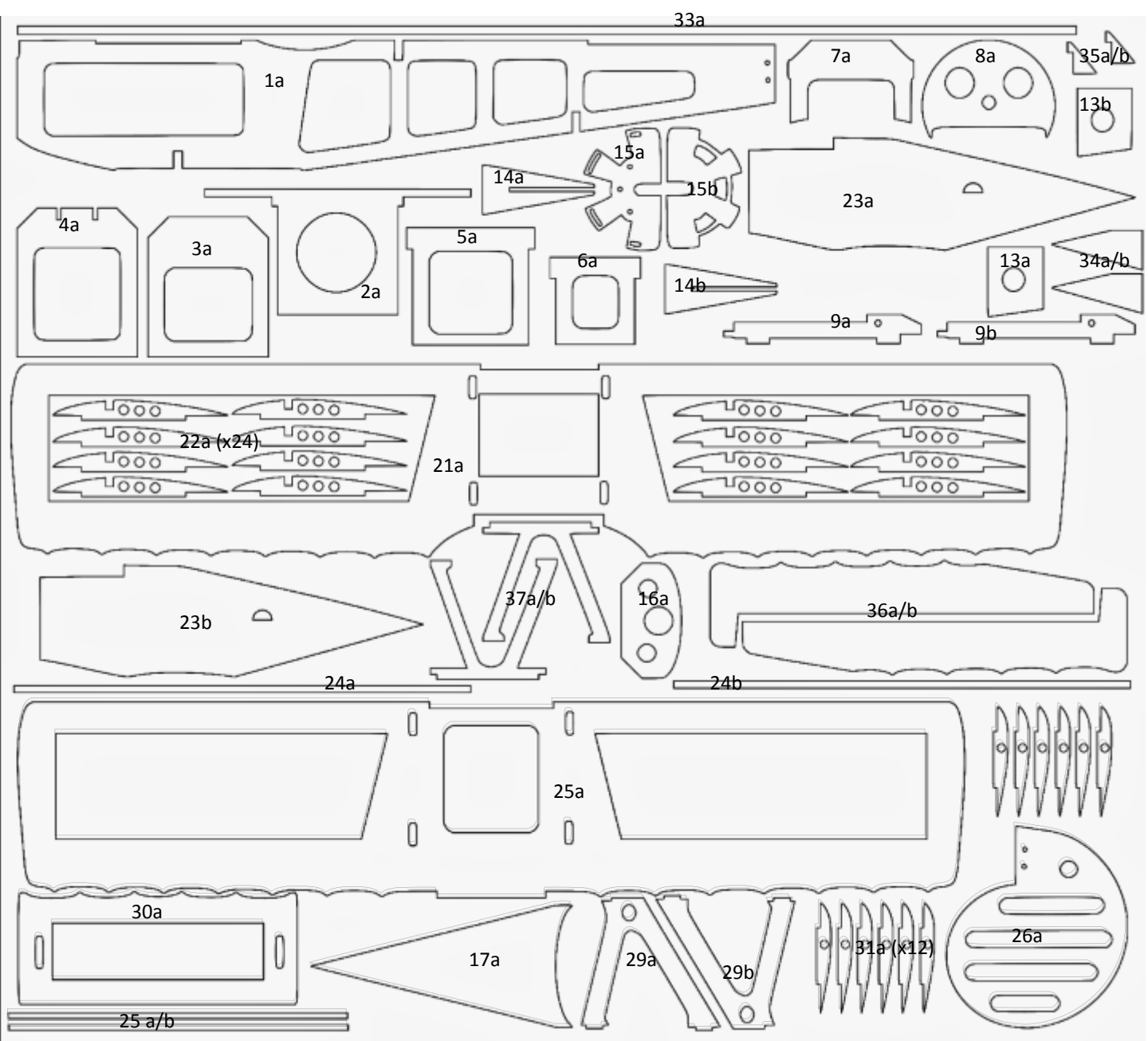


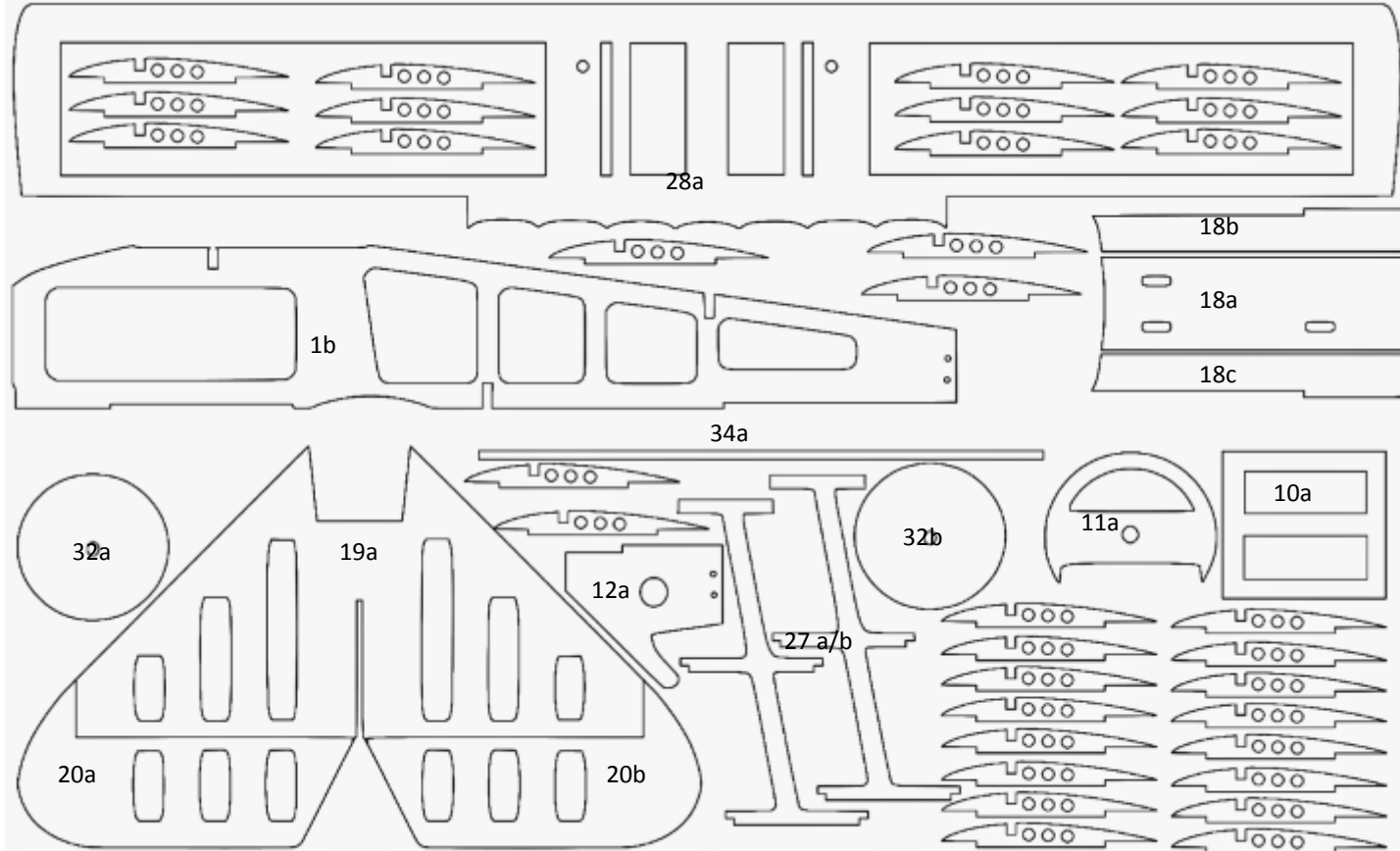
FOKKER Dr1

INSTRUCTION BOOKLET

The following instructions are provided with your Fokker kit to make assembly as easy as possible. Video instructions are available and these instructions are available to download.

The first two sheets are the parts numbers that will help you find and number each part of the kit. These show how the parts arrive in the wooden sheets, you can use this to select each part.





This legend will allow you to identify the parts included in each sheet and are numbered according to layout and order of use.

- 1a. & 1b – Fuselage sides
- 2a – Cross body wing support
- 3a – Near Nose alternative
- 4a - Cockpit front
- 5a – Cockpit rear, tail
- 6a - Tail cross section
- 7a – Nose support frame
- 8a – Front of cowling
- 9a/b – Machine gun profiles
- 10a – Servo Chassis
- 11a – Rear of cowling
- 12a – Tail skid
- 13 a/b – Tail skid brace
- 14a/b – Tail Joints
- 15a/b – Radial engine parts
- 16a – Dash board
- 17a – Tail top section
- 18a/b/c – Engine cover top & Sides
- 19a – Tail main plane
- 20a/b – Tail flaps
- 21a – Centre wing
- 22a – Wing cross sections (x24)
- 23a/b – Fuselage engine sides
- 24a/b - centre wing struts
- 25a – Lower wing
- 26a – Tail upright
- 27a/b – Wing upright struts

- 28a – Top wing
- 29a/b – Undercarriage uprights
- 30a – Undercarriage horizontal wing
- 31a – Undercarriage wing contours (x6)
- 32a/b – Wheel
- 33a – Top wing brace
- 34a/b – Nose decoration
- 35a/b - Dash board supports
- 36a/b - Top wing ailerons
- 37a/b – Wing supports

Other parts included

- Propeller
- Pin & 2x bearing beads
- Sticker set
- Tissue covering

Also needed for assembly

- Super glue or Balsa cement
- Sharp craft knife
- Sand paper (optional)
- Paint (optional)

