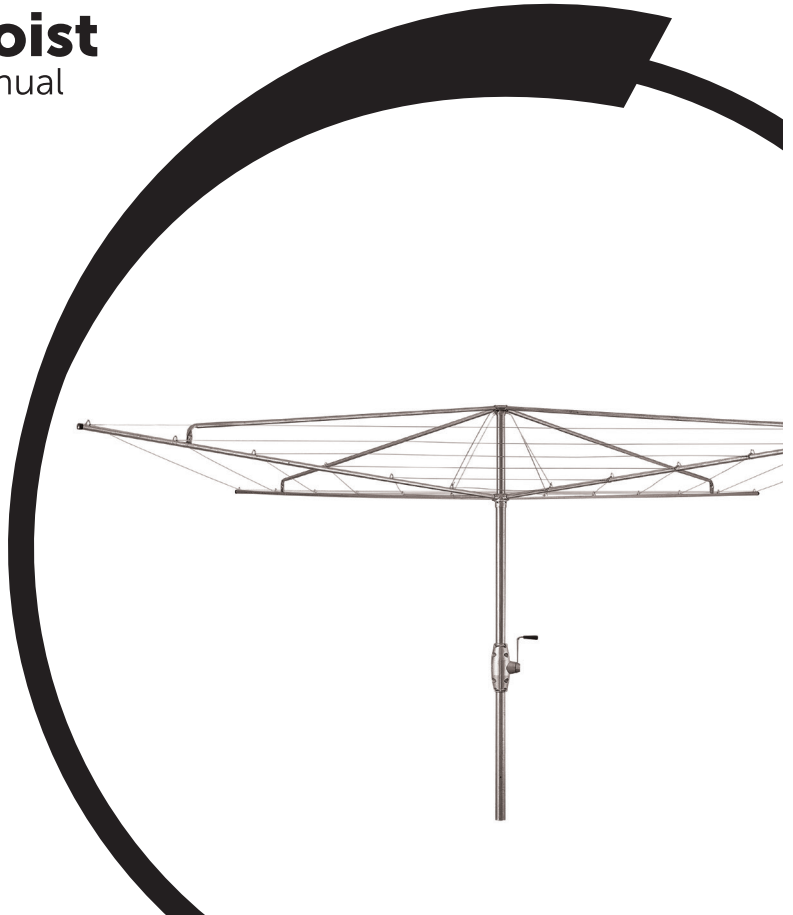




Hills®

Hills Hoist
Product Manual



Congratulations

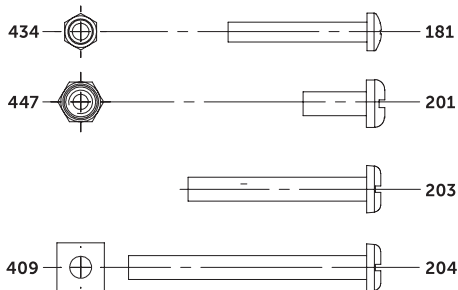
Congratulations on the purchase of your **Hills Hoist**, which will bring you many years of trouble free and efficient outdoor drying.

It is important that you read this Product Manual thoroughly before installation and use. In this way you will benefit from all the design features and enjoy safe use of the product.

Thank you for choosing Hills.

Warning

- Do not allow children or pets to swing on the Hoist or items of laundry.
- Do not use for any purpose other than to hang and dry washing.
- Do not use your Hoist if parts are worn or damaged.
- Patents and registered designs apply to this product.



Hoist Pack contents

| ID | Part name | Qty. |
|-----|----------------------------------|------|
| 796 | Main Standard | 1 |
| 795 | Secondary Standard | 1 |
| 793 | Arm | 4 |
| 794 | Tube stay | 4 |
| 789 | Rod stay | 4 |
| 788 | Galvanised clothesline wire coil | 1 |
| | Accessory pack | 1 |

Accessory Pack contents

| ID | Part name | Qty. |
|-----|----------------------|------|
| 791 | Top cap – upper | 1 |
| 792 | Top cap – lower | 1 |
| 787 | Arm stay bracket | 4 |
| 752 | Arm end cap | 4 |
| 790 | Cross | 1 |
| 181 | Screw RHMT M5 x 35mm | 4 |
| 201 | Screw RHMT M6 x 16mm | 4 |
| 203 | Screw RHMT M6 x 45mm | 4 |
| 204 | Screw RHMT M6 x 60mm | 1 |
| 434 | Nyloc nut M5 | 4 |
| 447 | Nyloc nut M6 | 4 |
| 409 | Square nut M6 | 5 |
| 501 | Wind brake | 1 |
| 502 | Wind brake bush | 1 |

Please retain this Product Manual. Record the following information for future reference.

Product Number (printed on label): _____

Date of purchase: _____

Name and location of store: _____

Receipt Number: _____



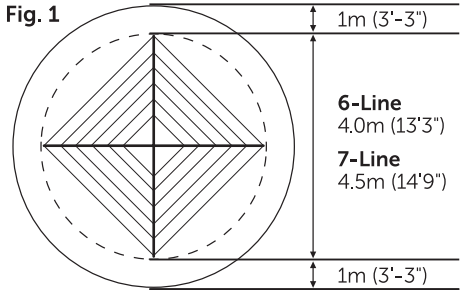
Designed and tested under a
Quality System that meets Hills
demanding quality specifications.

Made in China

Step 1: Select a Suitable Location (Fig. 1)

Minimum recommended clearance on all sides of the Hoist is 1m (3'-3")

Fig. 1

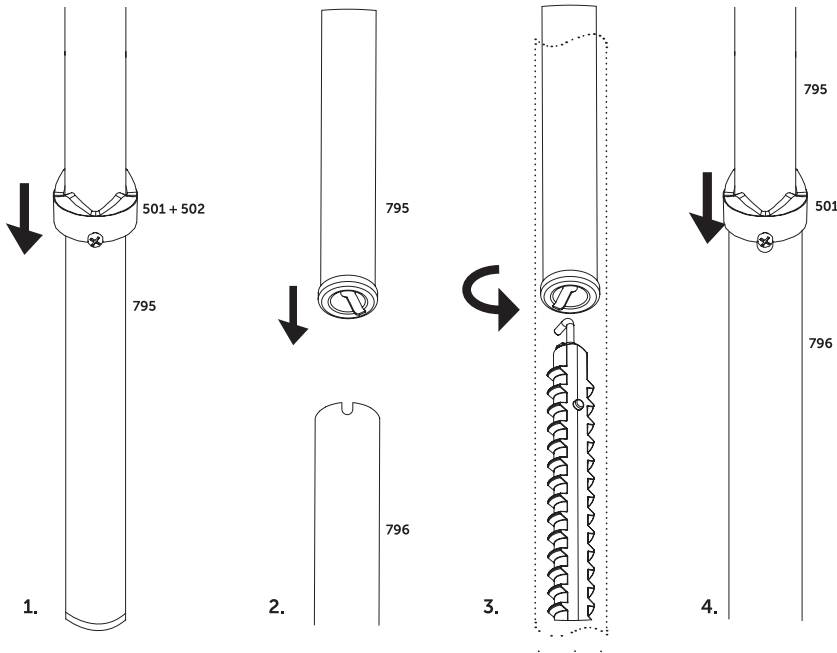


Step 2: Standard Assembly (Fig. 2)

IMPORTANT:

1. Ensure the bush **502** is sitting inside the windbrake **501**. Slide the windbrake onto the secondary standard **795**.
2. Insert secondary standard **795** into top of main standard.
3. Rotate secondary standard **795** until worm hook slides through the slot in the stabiliser plug.
4. Align the wind brake with the main standard indent and screw into place.

Fig. 2



Note: Main Standard tube 796 shown in dotted line for illustration purposes.

Step 3: Install the Standard Assembly (Fig. 3)

1. Dig a 200mm (8") by 800mm (32") hole. At this depth, the clotheslines lowest head height will be 1.6m from the ground.
Note: The hoisting function enables the head to raise up to an additional 440mm.
2. Dig the hole deeper than 800mm if you would like the clothesline to sit lower than 1.6m.
3. Fill the hole with 150mm coarse gravel.
4. Insert standard assembly **795** & **796** into the hole.
5. Dry concrete into position. Ensure to thoroughly compact the dry concrete around the standard assembly using a crowbar.
6. Ensure the standard assembly is vertical.

Step 4: Arm and Stay Assembly

1. Fit end caps **752** to the end of each arm **793** (Fig. 4).
2. Locate arm stay bracket **787** onto the arm **793** and align the mount holes.
Ensure the bracket is assembled as per Fig 6 (with staples up).
3. Squeeze the arm stay bracket **787** together and fasten securely with screws **181** and nuts **434** (Fig. 6).
4. Fit tube stays **794** to arm stay brackets **787** and fasten securely with screws **201** and nuts **447** (Fig. 6).
5. Slide cross **790** onto secondary standard **795**. Align holes and tighten cross screw into position.
6. Fit top cap lower assembly **792** to top of secondary standard **795**. Fasten securely with screw **204** and nut **409** (Fig. 5).
7. Place each arm **793** into the cross **790** and assemble each tube stay **794** into the top cap assembly **791** and **792** with the screw **203**.
Note: Do not fit nuts **409** yet (Fig. 5).

8. Hook the inner rod stays **789** into the innermost staples on the arms. Position other end underneath the top cap lower assembly **792** and onto screw **203**. Fit nuts **409** and tighten (Fig. 5).

Fig. 3

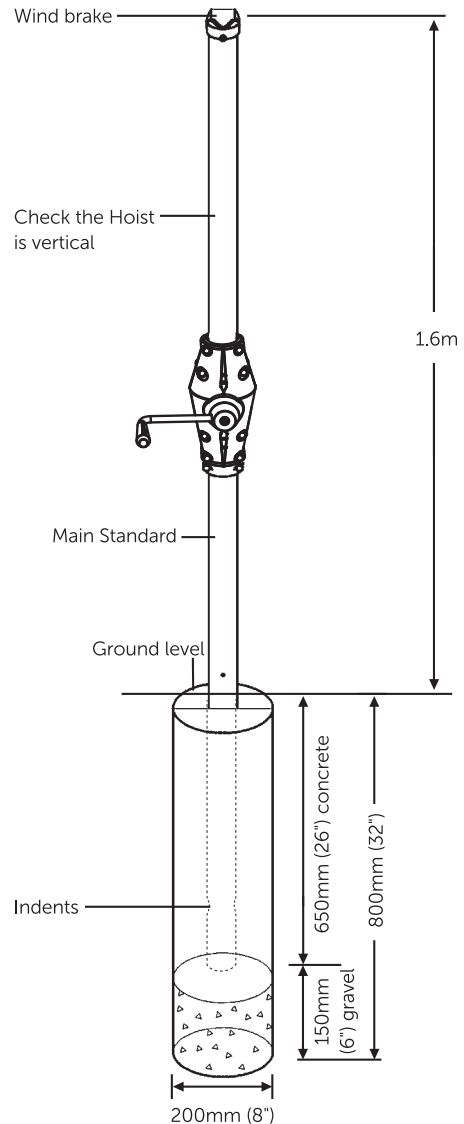


Fig. 4

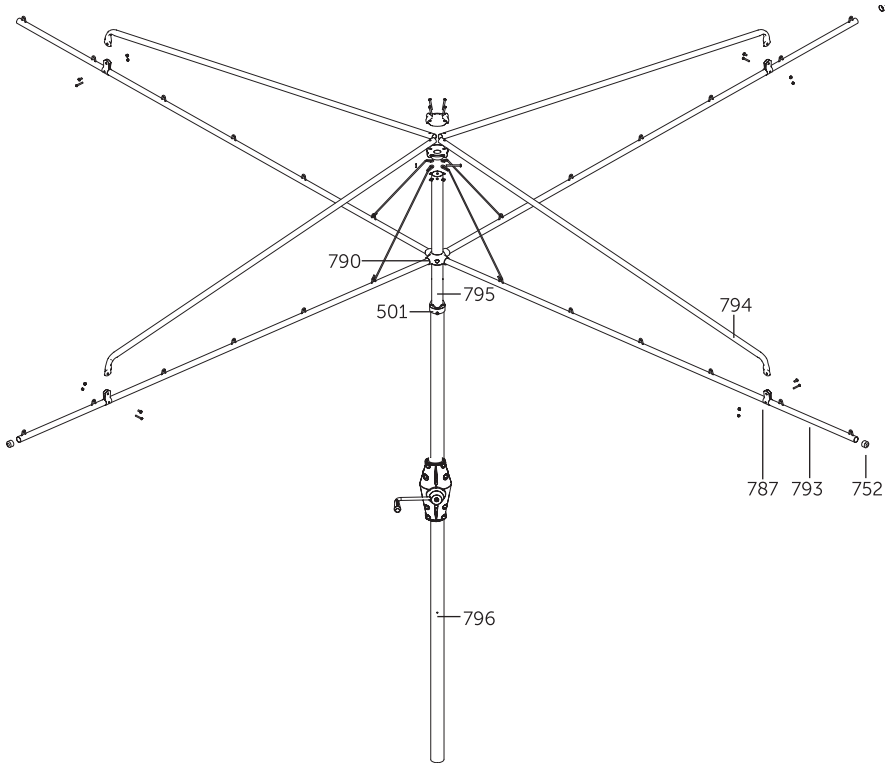


Fig. 5

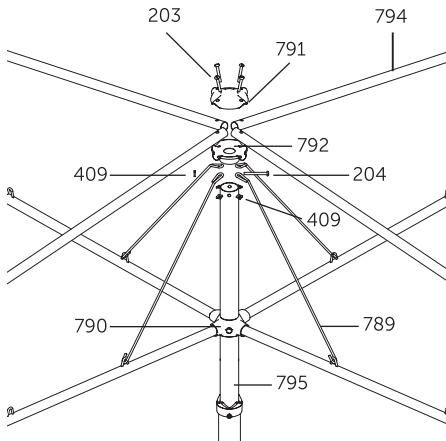
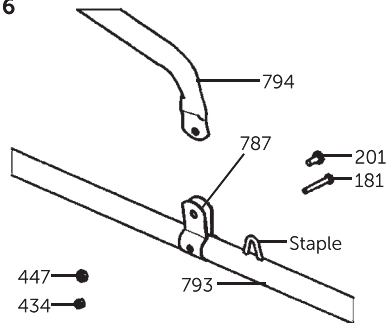


Fig. 6



Step 5: Wire Assembly

Note: Each circuit is wired separately. Wire cutters and pliers are needed to complete this job.

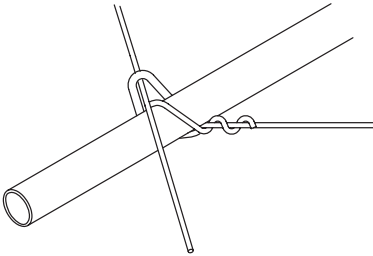
1. To avoid any kinks, unroll the wire.
2. Starting with the outer circuit, thread the wire through each staple.
3. Pull the line taut, and cut leaving 125mm excess on either side.
4. Tension and tie off each line as per **Fig. 7** below.

Note: Leaving more than 125mm excess on either side may result in running out of wire.

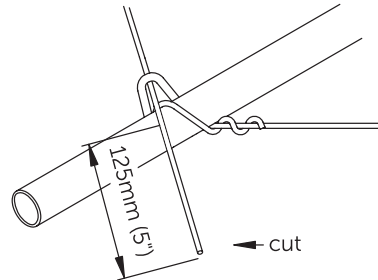
Note: Tie off all wires on one arm. Keep arms square to each other when tensioning lines.

Always wear protective safety glasses when 'wiring-up' your clothesline.

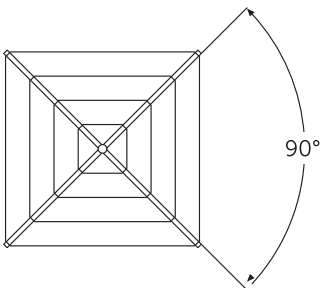
- Fig. 7** 1. Feed the lines through the staples and tie off at one end.



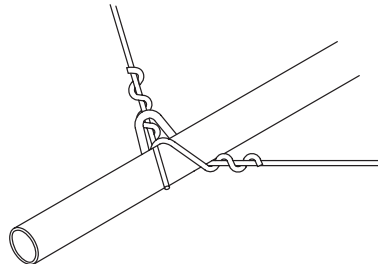
2. Pull lines through staples, tension and cut to length.



Important: Keep arms square to each other when tensioning the lines.



3. Tie lines onto arms.



Step 6: Handle Assembly

1. Ensure that the bolts and nuts on the handle case have not worked loose during transportation.
Re-tighten if needed.

2. The handle must be assembled before use of the Hoist.

Remove the screw from the handle cover.

Remove the cover and fit the handle as shown (**Fig. 8**).

Insert and tighten the screw to secure assembly.

3. Raise the head of the Hoist at least six full turns so that it is free to rotate.

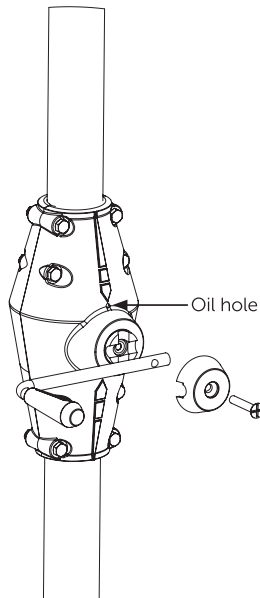
Note: Never leave the Hoist with the cross and wind brake engaged. Use the brake only when you are pegging out the washing and taking it off

Note: Stop turning the handle when winding down the hoist if you feel resistance. Do not continue to turn the handle if it is not easily free to rotate.

Step 7: Concreting

1. Check the clothesline is still vertical.
2. Gradually add water and mix in the concrete so that it is damp enough to hold together when squeezed in your hands.
3. Settle the concrete using a stick.
4. Do not use for 48 hours.

Fig. 8



Hills Handy Hints

- Commence hanging the washing on the inside line starting with the smallest garments and work your way outwards.
- The wind brake assists in the pegging and unpegging of clothes on a windy day by restricting the free rotation of the Hoist. It can be engaged by winding the Hoist fully down.
- To save excess walking, rotate the Hoist by pulling one arm and the wind brake will position in the next bay for loading.
- After hanging out your washing it is recommended that the handle be wound up at least six full turns to disengage the wind brake.
- For faster drying elevate the Hoist fully to collect any breeze. The rotating action of the Hoist gives natural spin drying of your washing.

Spare Parts

The following spare parts are available at www.hillsparts.com.au

| ID | Part name |
|--|--|
| Standard Parts: | |
| 796 | Bottom and Top Main Standard (2 parts) |
| 795 | Secondary Standard |
| 752 | Arm End Caps |
| | Handle Assembly |
| 790, 501, 502 | Cross and Wind Brake Pack |
| 791, 792, 787, 201, 434, 752, 181, 203, 204, 447, 409 | Accessory Pack |

Care and Maintenance

It is a good idea to occasionally inspect all components and check for wear and tear or damage. If there is any damage, parts should be replaced with original Hills spares or the Hoist repaired before using again.

The Hoist should be periodically wiped clean with a damp cloth and mild detergent.

1. To lubricate the worm gear and handle assembly perform the following:
 - a. Apply a few drops of oil through the oil hole in the gear case above the handle shaft (**Fig. 8**). Use any light grade oil or Lanolin based lubricant.

Note: Should the Hoist squeak when rotating, wind the Hoist up and apply (rub) a small amount of bar soap on the elevated section of the secondary standard **795 (Fig.4)**.

| Internal Winding Assembly Parts: | |
|---|-----------------|
| | Crown Wheel |
| | Pinion Assembly |
| | Winding Worm |
| | Full Repair Kit |

Hills Lifetime Warranty*

*AMES Australasia Pty Ltd warrants that this Hills product will be free from defects in manufacturing of the structural parts and winding mechanism for the lifetime of the original purchaser of the product. This warranty does not extend to the galvanised steel wire or the weathered surface finish of the product. If a defect covered by this warranty becomes evident during that period, AMES Australasia Pty Ltd will, at its option, replace the product, supply replacement parts for the product or refund the product. The cost or labour required to install any replacement part or product supplied under a valid warranty claim is not covered.

In the event of a defect covered by this warranty, you should contact the Hills Customer Care Centre using the details below. You will require proof of purchase. Any expenses incurred in making a claim under this warranty are not covered by the warranty.

This warranty does not apply to any defect or damage caused by accident, improper use, abuse, neglect, or unauthorised alteration or repair. This warranty does not apply where the product was not installed in accordance with the product installation instructions. This warranty does not apply to any costs incurred in the installation of the product.

For products purchased in Australia:

Our goods come with guarantees that cannot be excluded under the Australian Consumer Law. You are entitled to a replacement or refund for a major failure and compensation for any other reasonably foreseeable loss or damage. You are also entitled to have the goods repaired or replaced if the goods fail to be of acceptable quality and the failure does not amount to a major failure.

For products purchased in New Zealand:

Our goods come with guarantees that cannot be excluded under the Consumer Guarantees Act. AMES Australasia Pty Ltd will comply with our obligations to you under the Consumer Guarantees Act.

AMES Australasia Pty Ltd

ABN 89 169 427 061

Level 1, 660 Doncaster Road,
Doncaster Vic 3108

Hills Contacts

We are committed to providing you with complete customer satisfaction. If you have any questions or comments about our products or services please contact your nearest Customer Service Centre during their local business hours:

Australia

1300 300 564

New Zealand

0800 021 027

Email

hhl.enquiries@amesau.com

Hills Websites

hillshome.com.au

Hills Home Living

hillshome.com.au/need-help

Hills Consumer Advice

