

The logo consists of two thick, black, curved lines that sweep upwards and to the right, resembling a stylized hill or a protective arch.

**Hills**®

**Premium  
120 and 170  
Portable  
Clotheslines**

Product Manual



## Congratulations

Congratulations on the purchase of your new **Hills Portable Clothesline**, which will bring you many years of trouble-free and efficient drying, both indoors and outdoors. It is important that you read this product manual thoroughly before assembly and use. In this way, you will benefit from all of the design features and enjoy safe use of the product. Thank you for choosing Hills.

## Warning

- **Caution:** Do not push or pull your Portable Clothesline across the floor as this could lead to breakage of the legs.
- To move the clothesline, lift it completely from the floor (it may require two persons to avoid injury to yourself or damage to the product).
- Do not allow children or pets to swing on the Portable Clothesline or items of laundry.
- Ensure when opening and closing your Portable Clothesline that your hands are positioned where they will provide support and will not be caught in moving parts.
- Do not use for any purpose other than to hang and dry washing.
- Not to be used as a child's toy.
- Do not use your Portable Clothesline if parts are worn or damaged.
- Inspect regularly – do not use if damaged.
- Dispose of packaging thoughtfully.

Please retain this Product Manual. Record the following information for future reference.

Product number: \_\_\_\_\_

Date of purchase: \_\_\_\_\_

Name and location of store: \_\_\_\_\_

\_\_\_\_\_

\_\_\_\_\_

## Carton contents

Part name	Qty.
Spreader and Hinge Assembly	1
Arm Assembly	2
Leg Assembly - LH	2
Leg Assembly - RH	2
Leg Brace	2
Hanging Bracket	1
Door Adaptor	1
Line	2
Accessory pack contents ( <b>Fig. 2</b> ). (includes):	1
4 x M6 x 12 low profile screw	
8 x M6 x 16 countersunk screw	
4 x M6 x 30 button head screw	
4 x M6 nyloc nut	
1 x Door Adaptor screw	
1 x Hex Key – 4mm	



Designed and tested under a  
Quality System that meets Hills  
demanding quality specifications.

Made in China

Fig. 1

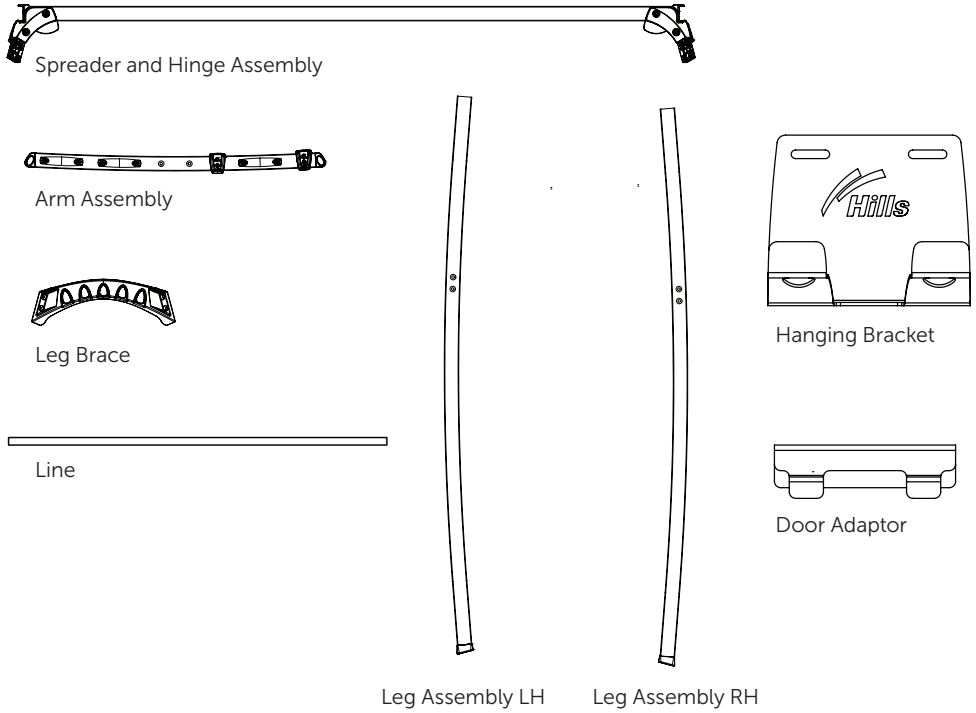
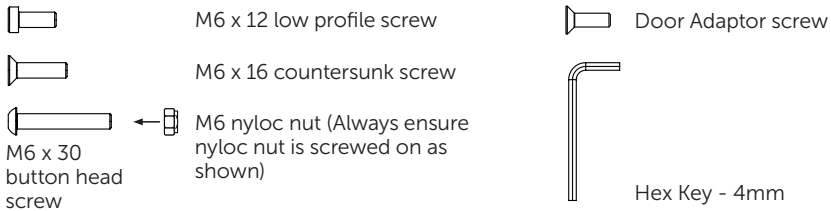


Fig. 2



**Note:** Parts are not drawn to scale.

The Hills Portable Clothesline is quick and easy to assemble. Just follow the steps below which are suitable for both the 17m (10 line) and 12m (8 line) models.

**Note:** All diagrams in this manual show the Portable 120 model.

## Step 1 – Rotate the Hinges into the open position

- 1.1 Place the spreader and hinge assembly on a flat surface.
- 1.2 Pull the latch out firmly (Fig. 3).
- 1.3 Whilst holding the latch out, rotate the hinge to the 'open' position until the latch 'clicks' into place (Fig. 4).
- 1.4 Repeat at other end.

Fig. 3

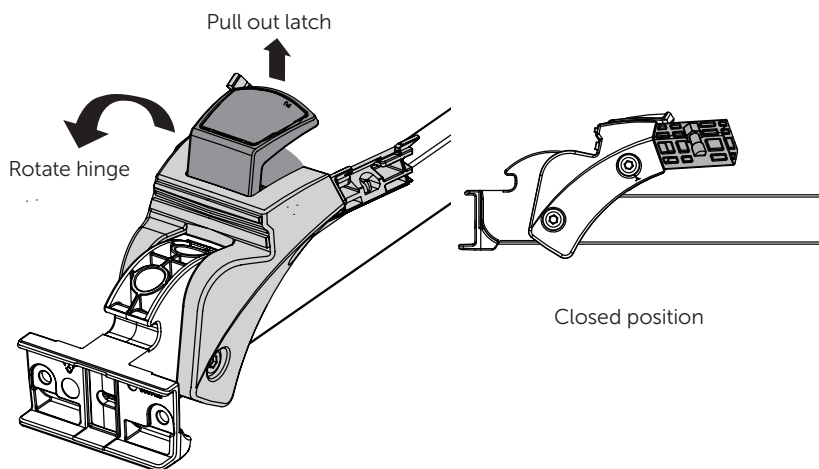
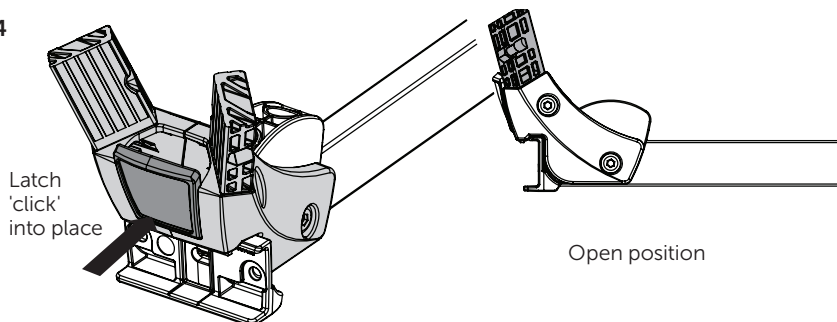


Fig. 4



## Step 2 – Attach the Legs to the Hinge Assemblies

2.1 Fasten the legs as shown in Steps 1-4.

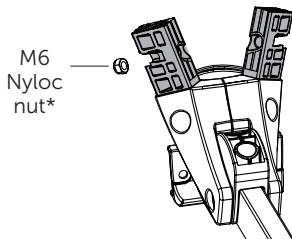
**Step 1** Locate the M6 nut on the moulded leg section of the hinge moulding (**Fig. 5**).  
\*Nylon ring of the nut must face outward.

**Step 2** Fit the leg tube (ensuring mount hole is oriented as shown in **Fig. 6**).  
**Note:** Check leg orientation (as per diagram in **Fig. 7**) to ensure the threaded inserts for securing the leg brace are facing each other.

**Step 3** Insert and fasten securely the M6 x 30 button head screws using the hex key (**Fig. 8**).

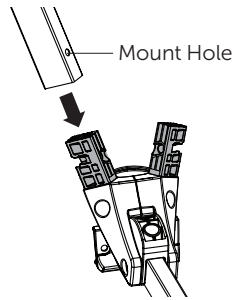
**Step 4** Repeat for all legs.

Fig. 5



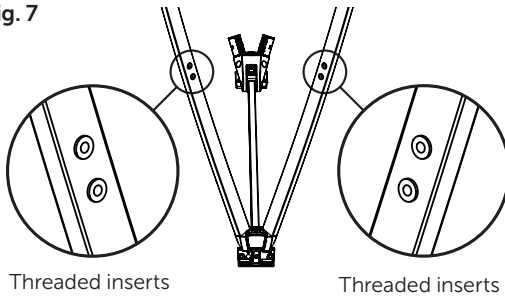
Step 1

Fig. 6



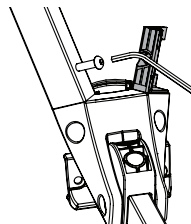
Step 2

Fig. 7



Step 3

Fig. 8

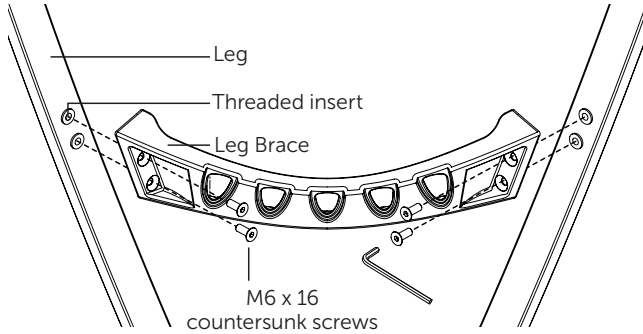


Step 4

### Step 3 – Attach the Brace to the Legs

- 3.1 Using the M6 x 16 countersunk screws, attach the Leg Brace to the 4 threaded inserts, using the hex key (Fig. 9).
- 3.2 Fasten securely.
- 3.3 Repeat at other end.

Fig. 9



### Step 4 – Turn the Portable Clothesline over and stand on the ground

as shown (Fig. 10).

Fig. 10



## Step 5 – Attach the Arms

- 5.1 Locate the arms into the recess in each end of the Hinge Assemblies, ensuring the screw holes and insert fasteners align.
- 5.2 Insert the M6 x 12 low profile screws and fasten securely using the hex key (**Fig. 11**).  
**Note:** Ensure the arms are assembled with the curve up (**Fig. 12**).

Fig. 11

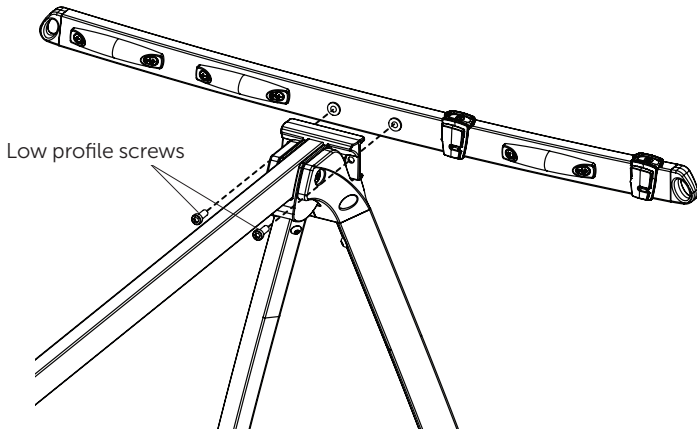
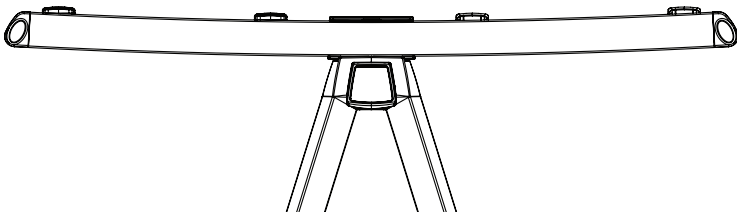


Fig. 12

Arms correctly assembled curve up



## Step 6 – Attach the Line

**6.1** Fasten the line to the innermost line tensioner as shown in steps 1-11.

**Step 1** Thread a line tie off cap onto one end of the PVC line (**Fig. 13**).

**Step 2** Insert the line into the slot of an inner line tie off saddle and through the side (**Fig. 14**). Pull through 15cm+ of excess line for tensioning.

**Step 3** Loop the line around the groove in the line tie off saddle (**Fig. 15**). Pull tight to prevent the line from slipping.

**Step 4** Feed the line through the line's sleeves (**Fig. 16**).

**Note:** It is useful to kink or twist the line when feeding it through the line sleeves to make assembly easier.

**Step 5** Continue feeding the line through the line sleeves ensuring all lines are parallel. Refer to **Fig. 17** for the threading pattern for your product.

Fig. 13

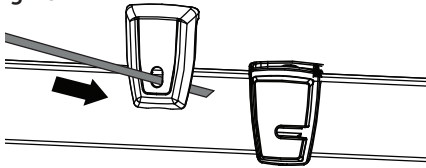


Fig. 14

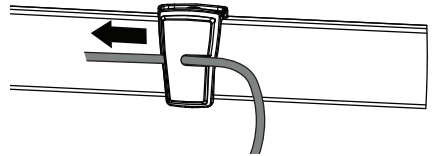


Fig. 15

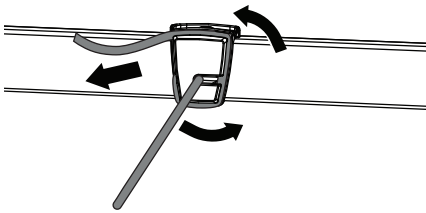


Fig. 16

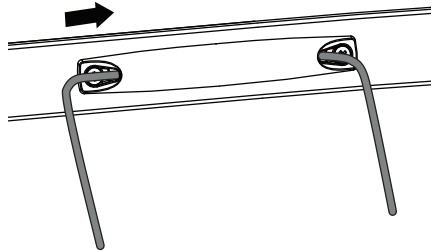
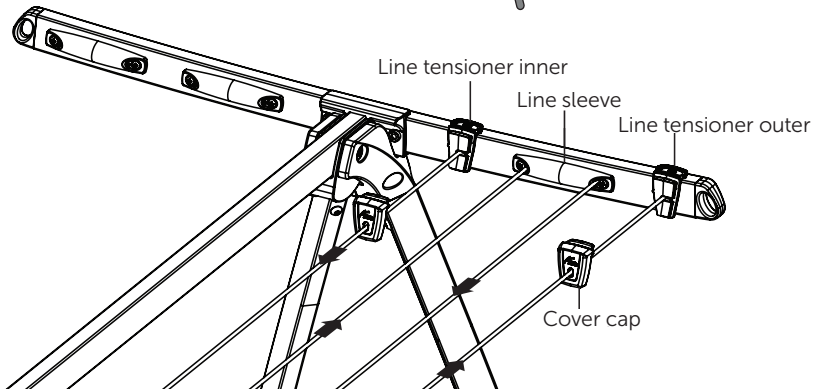


Fig. 17





**Step 6** When you reach the tie off end of the line, thread another line tie off cap (**Fig. 18**).

**Step 7** Insert the line into the slot of the last line tie off saddle (**Fig. 19**).

**Warning:** Do not tighten the line yet.

**Step 8** Repeat steps for the other side.

**Step 9** Tighten the line on each side by pulling it 'through' the line sleeves and repeating the tie off procedure with the outer line tensioner.

**Note:** Do not over tighten the line, as you can distort the frame.

**Step 10** Trim off excess PVC line at dotted line (**Fig. 20**). Make sure the line is firmly pulled back into the line tie off saddle.

**Step 11** Push the PVC line end securely into the saddle (**Fig. 21**).

**Step 12** Fit the line tie off caps over the line tie off saddles (**Fig. 22**).

Fig. 18

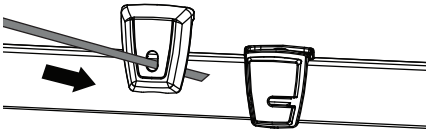


Fig. 19

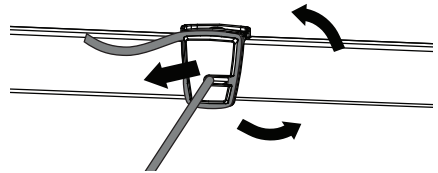


Fig. 20

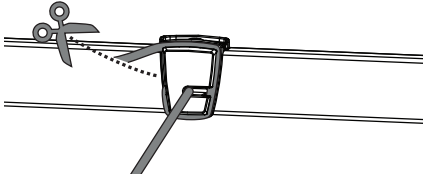


Fig. 21

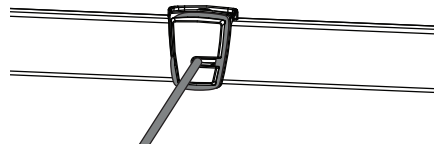
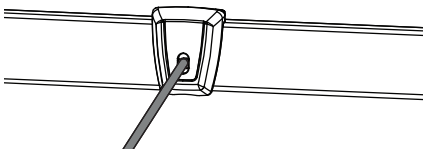


Fig. 22



Your Portable Clothesline is now ready to use.

## Step 7 – Line tensioning

To re-tension lines if required:

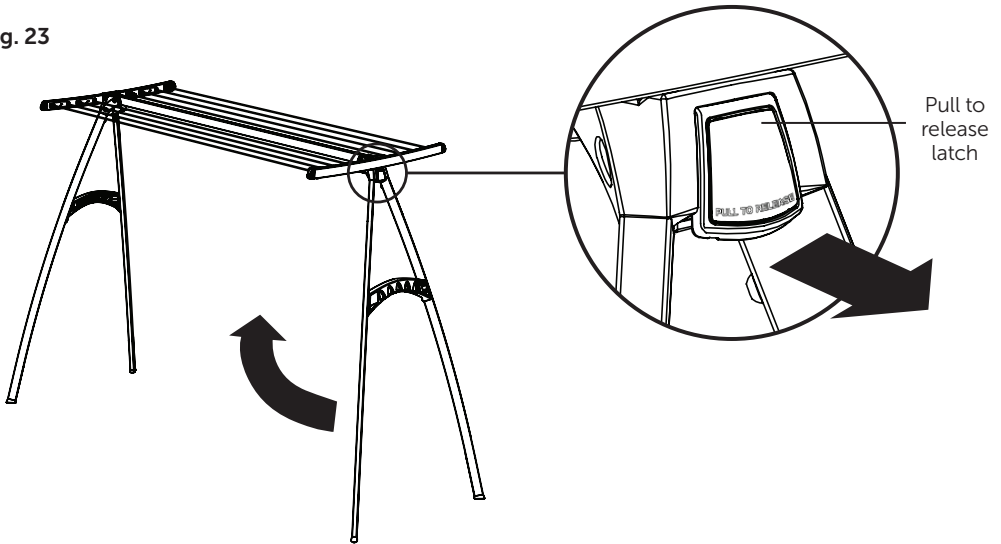
- 7.1 Remove either cover cap on the arm.
- 7.2 Untie the existing line.
- 7.3 Repeat steps as described on pages 8 and 9.

**Note:** Do not over tighten the line, as you can distort the frame.

## Step 8 – Folding and Unfolding

- 8.1 To fold away your Portable Clothesline, pull the latch out firmly with one hand, while supporting and rotating the legs up and around with your other hand. Keep rotating until the latch 'clicks' back into place, locking the legs closed (**Fig. 23**).

Fig. 23



**8.2** Place the folded end on the ground (**Fig. 24**).

**8.3** Release the latch at the other end, and fold the legs, while bringing the product to a vertical position (**Fig. 25**).

**Note:** Check the legs are not caught in the lines before trying to unfold. Always ensure your hands are positioned where they will provide support and will not be caught in moving parts.

Fig. 24

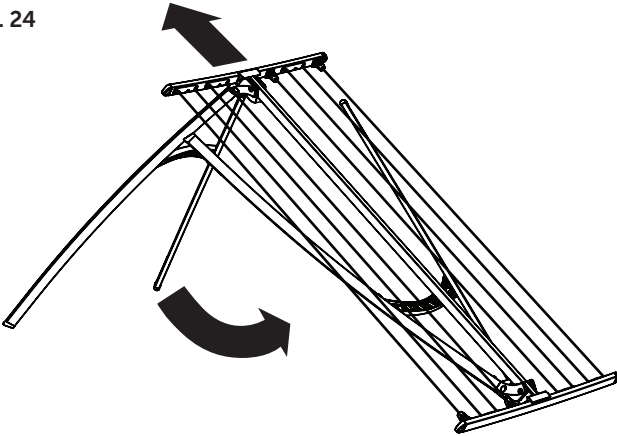
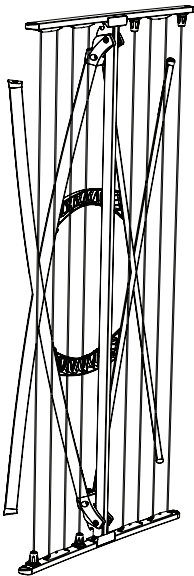


Fig. 25



## Step 9 – Hanging Bracket

To hang your Portable Clothesline for convenient storage, a hanging bracket has been included (Fig. 26).

**9.1** The hanging bracket can be fastened to almost any wall or vertical surface, using appropriate fasteners (not supplied).

The hanging bracket and door adaptor can be used over most doors.

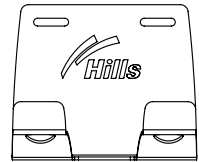
**9.2** Simply place the hanging bracket and door adaptor over your door.

Place the Portable Clothesline on the hanging bracket, ensuring it is centred on the door and does not make contact with door handles, surrounding furniture and walls, when the door is opened and closed (Fig. 27).

Secure the door adaptor to the top of the door with the small screw provided.

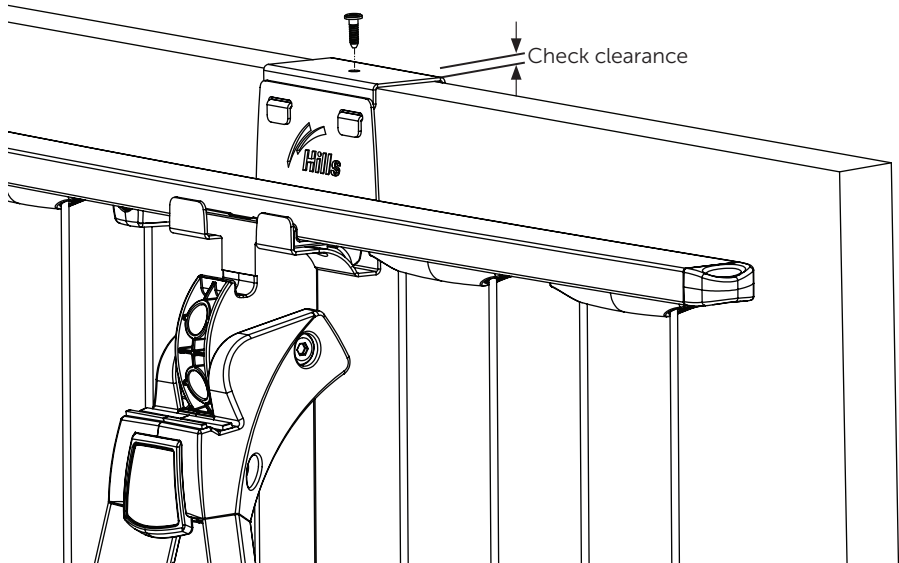
**Note:** Check there is clearance between the top edge of the door and door frame for the door adaptor and screw before fixing.

Fig. 26



Hanging Bracket

Fig. 27



## Hills Handy Hints

Heavy or large items like thick towels, sheets and quilts can be dried on the Portable Clotheslines. We recommend placing them over the inner lines, leaving the outer lines for smaller objects. We also recommend spreading the load over two lines to allow more air circulation for faster drying. Sheets can be folded in half and dried over two lines.

Quilts can be dried by laying them over the Portable Clothesline then pegging the ends/corners together to lift them off the floor. When placing washing on the Portable Clothesline, ensure the weight is balanced and washing is placed evenly on both sides.

The Hills Portable Clothesline can be used almost anywhere but should not be used in strong wind conditions unless it is placed in a protected area and secured.

The Hills Portable Clothesline can be stored when not in use.

The brace that supports the legs includes holes that provide additional hanging space.

Place pegs over the seams in your clothing to avoid or minimise peg marks on the fabric.

## Care and Maintenance

It is a good idea to occasionally inspect all components and check for wear and tear or damage.

The Portable Clothesline should be periodically wiped clean with a damp cloth and mild detergent.

## Hills Warranty

AMES Australasia Pty Ltd warrants that this Hills product will be free from defects in manufacturing of the frame and lifting mechanisms for the lifetime of the original purchaser of the product. This warranty does not extend to plastic hanging line or the surface finish of the product from weathering. If a defect covered by this warranty becomes evident during that period, AMES Australasia Pty Ltd will, at its option, replace the product, supply replacement parts for the product or refund the product. The cost or labour required to install any replacement part or product supplied under a valid warranty claim is not covered.

In the event of a defect covered by this warranty, you should contact the Hills Customer Service Centre using the details below. You will require proof of purchase. Any expenses incurred in making a claim under this warranty are not covered by the warranty.

This warranty does not apply to any defect or damage caused by accident, improper use, abuse, neglect, or unauthorised alteration or repair. This warranty does not apply where the product was not installed in accordance with the product installation instructions. This warranty does not apply to any costs incurred in the installation of the product.

## For products purchased in Australia

Our goods come with guarantees that cannot be excluded under the Australian Consumer Law. You are entitled to a replacement or refund for a major failure and compensation for any other reasonably foreseeable loss or damage. You are also entitled to have the goods repaired or replaced if the goods fail to be of acceptable quality and the failure does not amount to a major failure.

## For products purchased in New Zealand

Our goods come with guarantees that cannot be excluded under the Consumer Guarantees Act. AMES Australasia Pty Ltd will comply with our obligations to you under the Consumer Guarantees Act.

## AMES Australasia Pty Ltd

ABN 89 169 427 061

Level 1, 660 Doncaster Road

Doncaster, Vic 3108

## Hills Contacts

We are committed to providing you with complete customer satisfaction. If you have any questions or comments about our products or services please contact your nearest Customer Service Centre during their local business hours:

### **Australia**

1300 327 293

### **New Zealand**

0800 021 027

### **Email**

[hills@amesau.com](mailto:hills@amesau.com)

### **Website**

[hillshome.com.au](http://hillshome.com.au)

**AMES Australasia Pty Ltd**  
A.B.N 89 169 427 061  
Issue Sep 2021  
HD10777f

