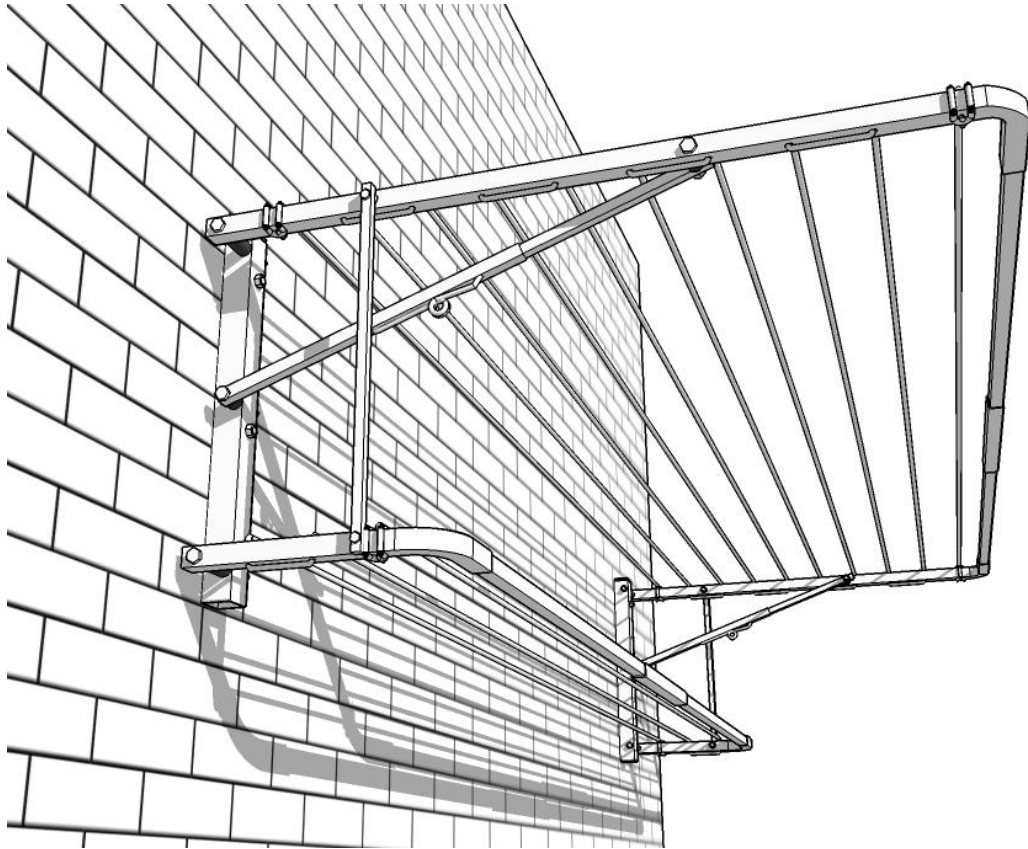


**Air Dry**  
clotheslines



# Low Line Attachment

*Assembly instructions*

# Air Dry

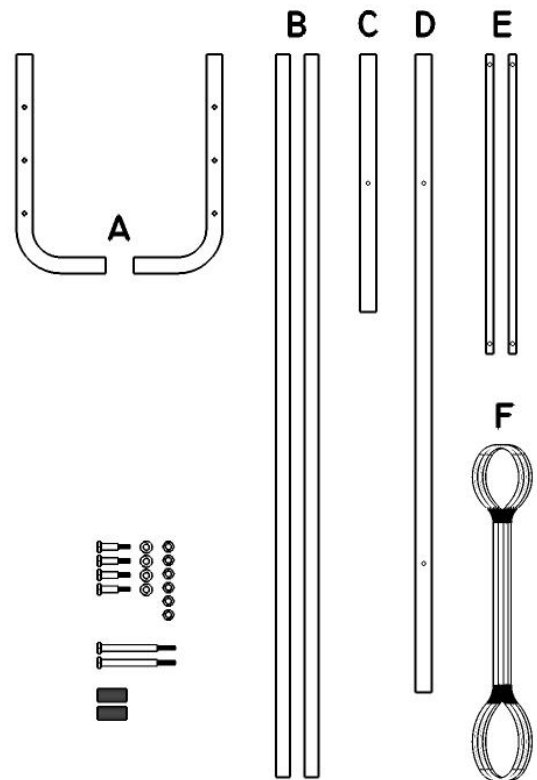
clotheslines

Thank you for purchase of our *Low Line* attachment.

This manual includes a set of assembly instructions along with a user guide. Please thoroughly read through these to acquaint yourself before starting the assembly and use of the clothesline.

## Assembly Parts:

- A. 2 x Low Line Arms
- B. 2 x Spreaders
- C. 1 x Small Joiner (<2400 width clotheslines only)
- D. 1 x large Joiner (2700/3000 width clotheslines only)
- E. 2 x Low Line Stays
- F. 1 x Cord Bundle



## Accessory Kit:

- 4 x 50mm bolts
- 4 x washers
- 6 x nuts
- 2 x 120mm bolts
- 2 x large spacers

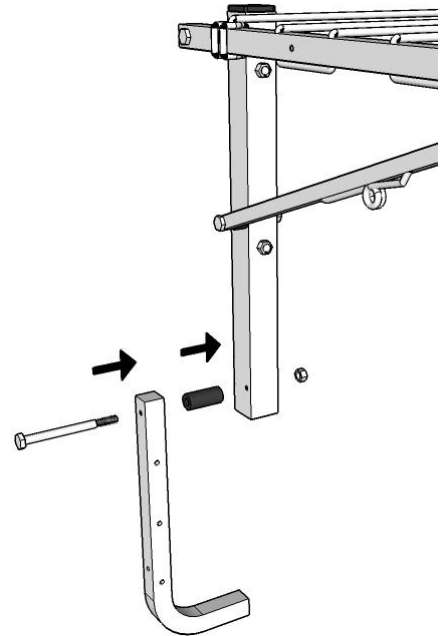
## Assembly instructions

### Step 1:

Once the main frame is assembled, take one low line arm and have it bending inwards, matching the shape of the larger main arm on the same side.

Working from the outside of the clothesline, thread the 120mm bolt through the top of the low line arm followed by the large spacer. Then continue to insert the bolt through the low line hole on the wall bracket/ post and secure with a nut.

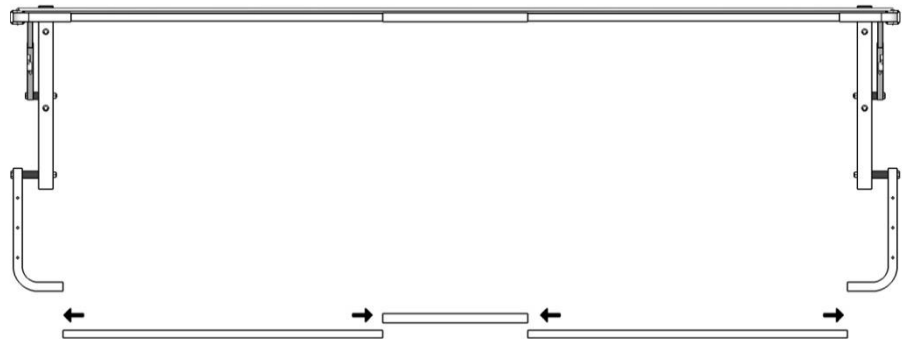
Repeat this step on the opposite side.



### Step 2: Assembling the front bars

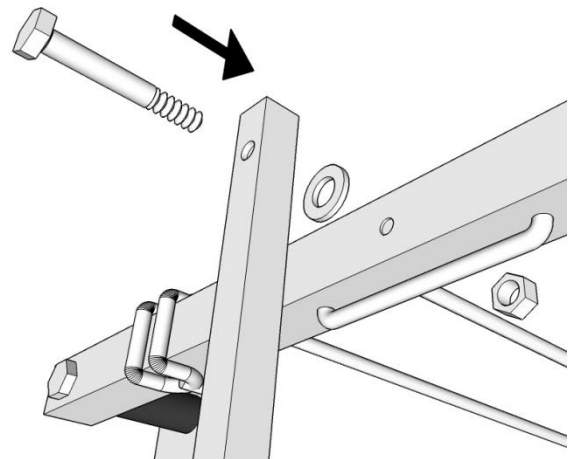
Place the spreaders on the ground. Insert the 2 spreaders into each end of the joiner to make one long bar.

Place each end of the bar into the ends of the low line arms.

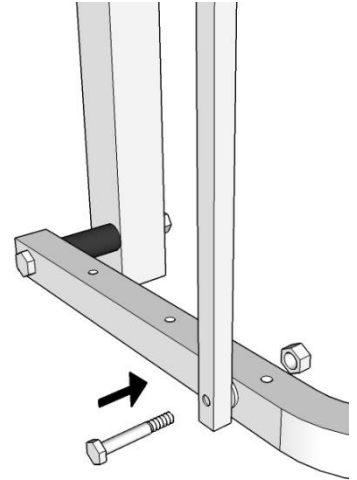


### Step 3: Attach the Low Line Stays

Working from the outside of the clothesline again, thread the 50mm bolt through the end of the low line stay. Place a washer on the bolt and thread the bolt through the low line hole on the main arm and secure with a nut.



Repeat this bolt configuration, this time attaching the stay to the low line arm directly under the main arm. Secure with a nut. Repeat on the opposite side.



### Step 4: Wiring

Once the low line is securely attached, use the main wiring instructions to complete installation.

