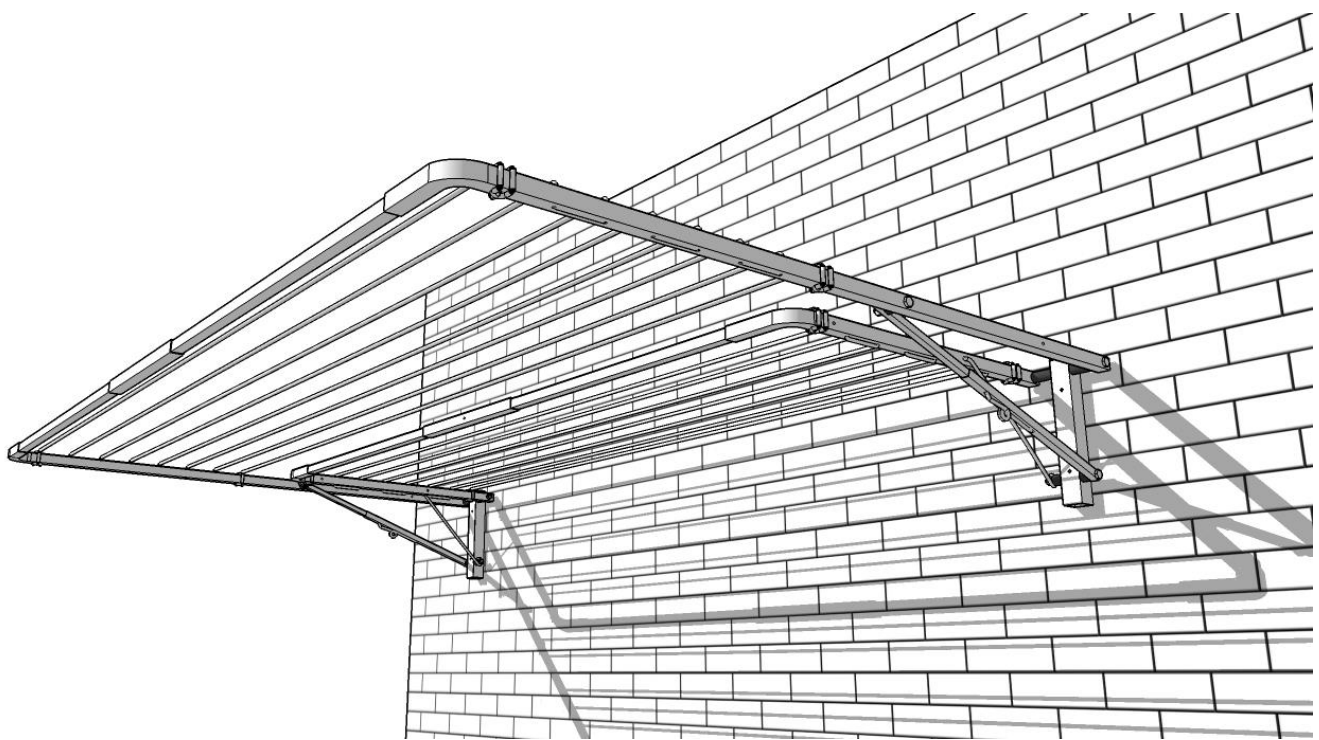


**Air Dry**  
clotheslines



# Twin Fold Clothesline

*Assembly instructions*

## Air Dry Clotheslines

Thank you for purchasing our *Twin Fold* clothesline. We hope this clothesline fulfils your laundry needs and continues to remain a benefit for years to come.

This manual includes a set of assembly instructions along with a user guide. Please thoroughly read through these to acquaint yourself with the product before starting the assembly and use of the clothesline.

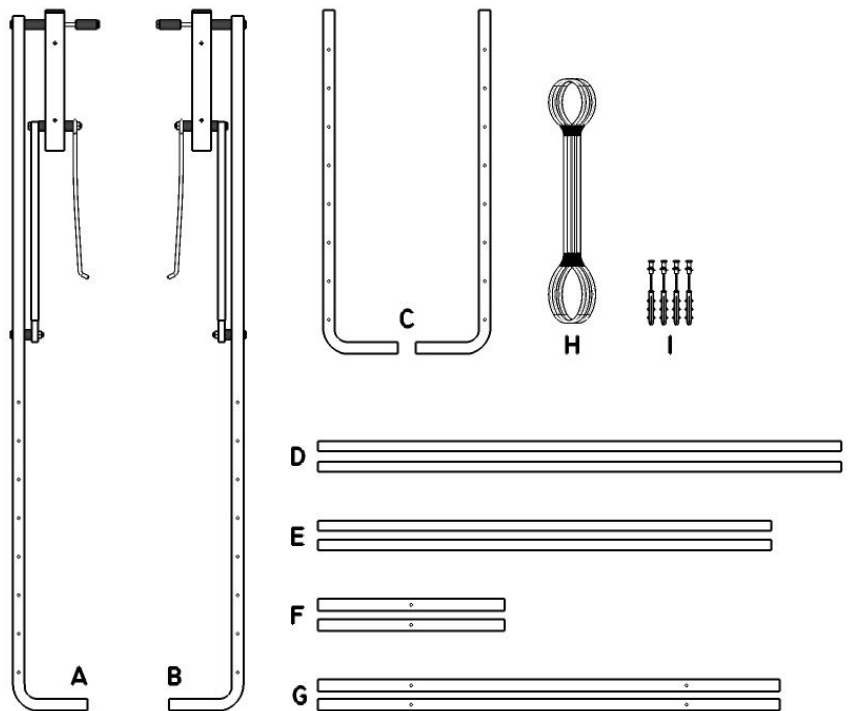
### Assembly instructions

**Step 1:** Open packaging and check off contents

Do **NOT** open the arm assembly until it is mounted on the wall/ posts

#### Assembly Parts:

- A. 1 x Left Arm Assembly
- B. 1 x Right Arm Assembly
- C. 2 x 750 arms
- D. 2 x Long Spreaders
- E. 2 x Short Spreaders
- F. 2 x Small Joiners (2400 width clotheslines only)
- G. 2 x Large Joiners (3000 width clotheslines only)
- H. 2 x Cord bundles
- I. 4 x Wall Plugs



#### Tools required:

- Masonry Drill – 10mm bit
- 13mm spanner
- Tape measure
- Marker

- Spirit level
- Cord cutters

*Air Dry Clotheslines* are designed to be installed onto **masonry** walls only. **Not** to be installed onto weatherboard walls, cladding or timber walls. **Not** recommended for installation onto fencing. Ground Mount Kits are available for these installations.

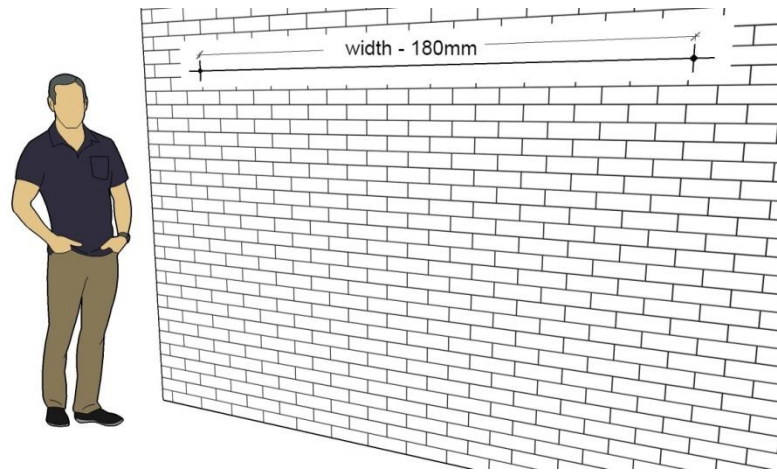
Soft surface recommended for assembly to avoid scratches.

Custom width modifications can be made by cutting the required amount equally from each end of the spreader to achieve the desired width.

## Step 1: Layout

To determine the clothesline height, add 100-150mm to the height of the user.

Formula to find the bracket hole centres– using the overall width of the clothesline ordered, **subtract** 180mm and this will give you the distance between the wall bracket **hole** centres. (For example, for a 2400 clothesline the holes should be 2220mm apart.)



Use the tape measure and **mark** the location for the first wall bracket hole. From this mark, using the hole centre measurement, measure across the wall and mark the wall for the second wall bracket.

Make sure to leave a 100mm clearance on the outside of the wall brackets.

**Do not** drill holes into mortar.

## Step 2:

Using a 10mm masonry drill bit, drill approximately 50mm into the wall at both marks



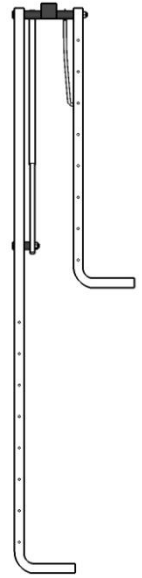
### Step 3: Assembly

Place the arm assemblies on the ground with the wall side sticker facing the ground. Undo the nut at the top of the assembly and thread the 750 arm onto the bolt. Make sure the arm is facing the same direction as the outer 1500 arm. Secure with the nut. Tighten with the 13mm spanners. Complete this on both assemblies.

### Step 4:

Push the orange wall plug through the top hole of the first wall bracket. Make sure the **wall side** sticker is facing the wall. Strut spring must always face the wall when not engaged. Approximately 40mm will be visible out the rear of the bracket. Place this into the first drill hole on the wall. Tighten using the 13mm spanner.

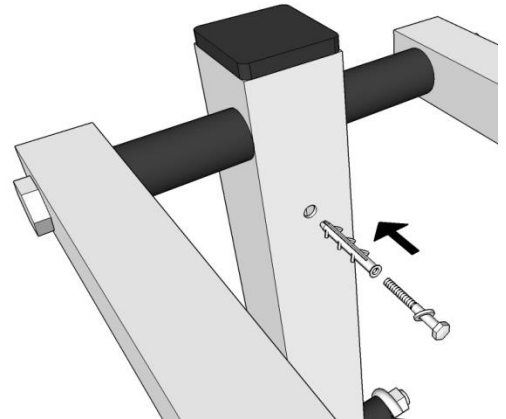
**Note:** Do not insert the wall plug directly into the wall. It **must** go through the bracket first.



### Step 5:

Using the spirit level, make sure the bracket is vertically level and adjust if necessary.

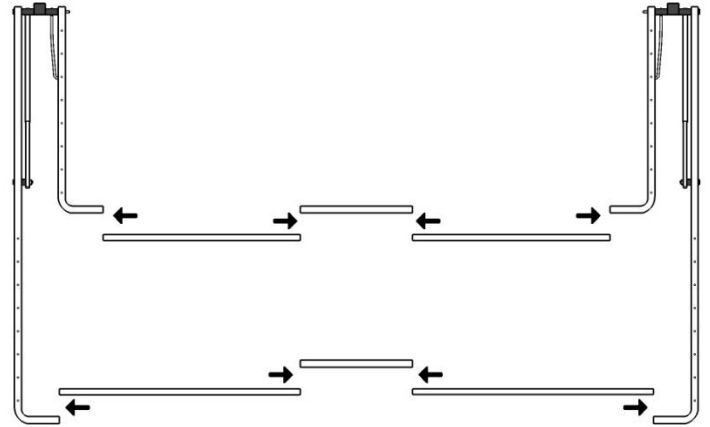
Once level, insert the 10mm masonry drill bit through the wall bracket's **bottom** hole and drill into the wall approximately 50mm. Push the orange wall plug through the bottom hole as before and secure with the washer and screw. Repeat these steps to attach the remaining arm assembly to the wall.



### Step 6: Assembling the front bars

**Inner frame:** Place the small spreaders on the ground. Insert the 2 spreaders into each end of the joiner to make one long bar. Place each end of the bar into the ends of the 750 inner frame arms.

**Outer Frame:** Place the large spreaders on the ground. Insert the 2 spreaders into each end of the joiner to make one long bar. Place each end of the bar into the ends of the 1500 outer frame arms.



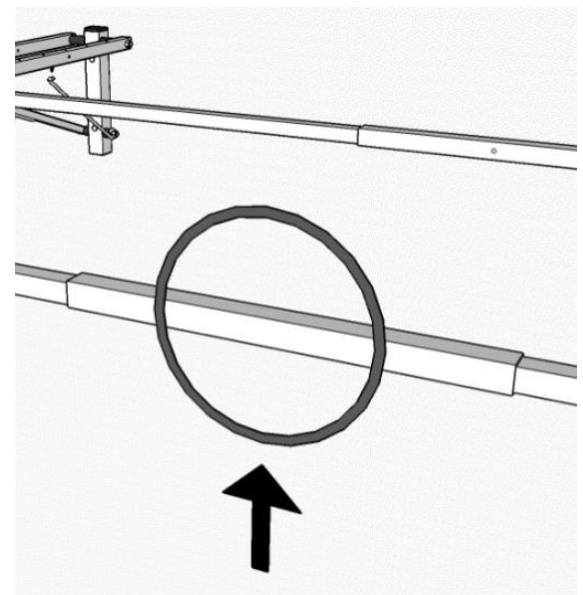
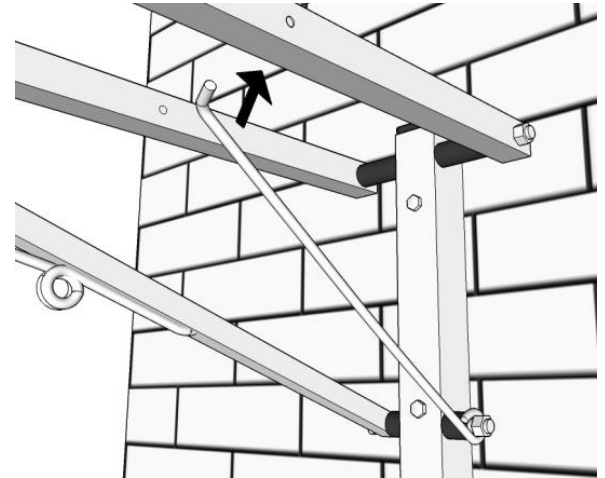
### Step 7:

Lifting and lowering the **inner** frame: Lift the front bar and insert the inner stay into the hole of each arm.

Lifting and lowering the **outer** frame: Lift the front bar evenly from the **centre** slightly past horizontal until you hear both struts click and engage. Gently release the front bar. To disengage the struts and lower the frame, lift the bar evenly from the **centre** until both struts click and lower the frame.

**Please note**, if the front bar is lifted in an uneven manner, both struts will not engage. If this happens, reset by disengaging the strut and lower the frame. Start the process again, making sure to place your hands directly in the **centre** and lifting evenly.

**Warning:** Do not continue to lift the bar past the engaging point (struts clicking) as this will break the strut mechanism and a new strut will be needed at the cost of the consumer.



## Step 8: Wiring

### Parts Required:

- 2 x bundles of cord
- Scissors or wire cutters (not supplied)

Unravel the bundle of cord.

Take one end of the cord and thread the cord up through the first hole at the front of the arm. You may start from either side. Leave 300mm at the start for tying off on completion.

Bring the cord across to the opposite arm and thread it down the corresponding hole. Thread it back up the second hole next to it and bring the cord across to the opposite arm and down the second hole. See figure 8a. Repeat this process until all holes have been occupied leaving 300mm at the end for tying off on completion.

Once all holes have been threaded, bring each end of the cord around from the bottom of the frame, around to the outside of the frame. Place the cord under the previous line of cord and bring back to the outside of the frame to create an anchor tie off point. See figure 8b.

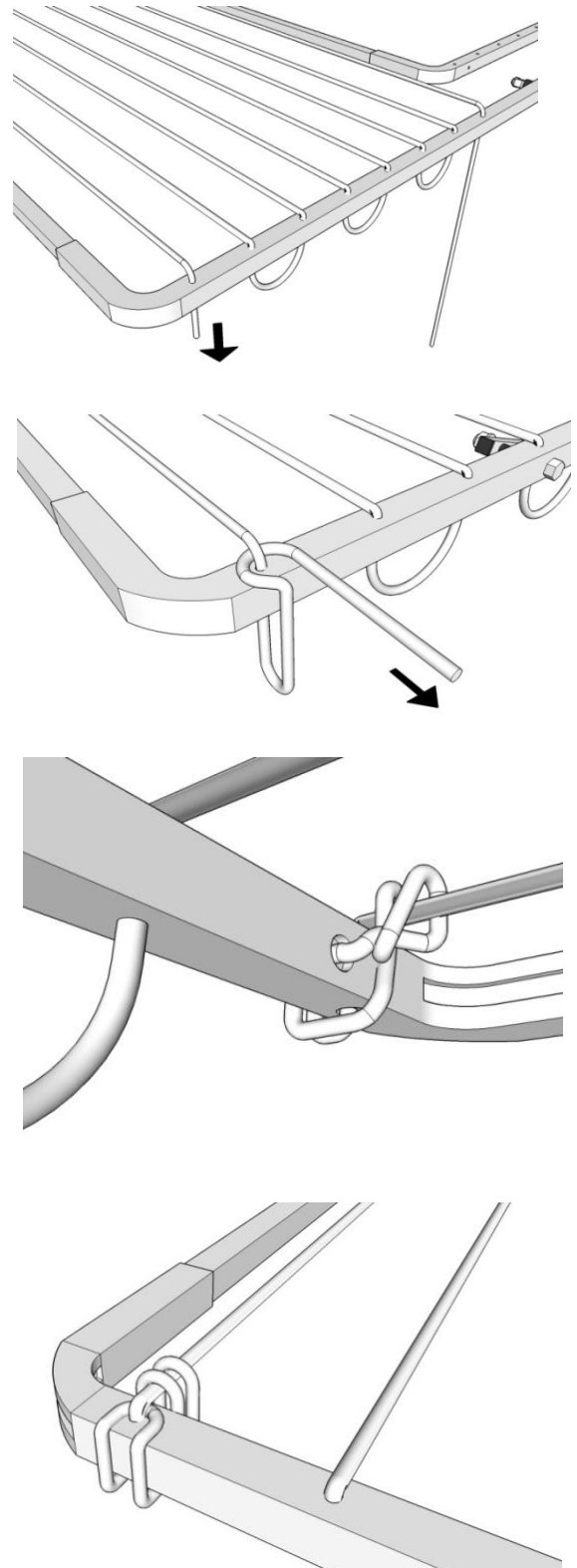
Starting from the front of the clothesline, place your hands in the centre of the first cord and pull downwards to remove slack out of the line.

Repeat this process on every line of cord. When you have tightened the last cord, release the end anchor tie off point and re-tighten.

Repeat this process for further tensioning. Once you are happy with the tension of the cord, complete both anchor tie off points with 2 x half hitch knots.

Cut off the remaining cord using wire cutter/ scissors, leaving 100mm to be tucked into the inner arm hole. See figure 8c.

Repeat for wiring the adjacent frame.



Air Dry Clotheslines are manufactured and warranted by Sky Dry Clotheslines

### **Warranty Limitations**

*Sky Dry Clotheslines* provide no other warranties or depictions other than those already stated in this Warranty. The maximum limit of *Sky Dry Clotheslines* liability under this warranty, is product or part replacement.

### **Warning**

- This clothesline is not to be used for swinging or climbing on
- This clothesline is only to be used for the intended purpose of air drying of laundry in line with the operating instructions.
- Discontinue use of the clothesline if any of the parts are damaged or worn.
- In the circumstance of high winds, the clothesline should be folded down

### **Warranty**

*Sky Dry Clotheslines* complies completely with the Consumer Laws as prescribed by the *Competition and Consumer Act 2010*. A link to the Act on their website:

<https://www.accc.gov.au/about-us/australian-competition-consumer-commission/legislation>

No liability (whether expressed or implied) of any kind whatsoever, is accepted by *Sky Dry Clotheslines* for any consequential loss, damage, or injury arising as a result of any defect in the products, subject to the requirements of any applicable Act or legislation and to the extent permitted by law.

Our products are backed with guarantees that cannot be revoked under Australian consumer law. A major failure entitles you to a replacement or refund, as well as compensation for any foreseeable loss or damage. If the items fail to be of acceptable quality and the fault does not amount to a major failure, you have the right to have them repaired or replaced.

### **Warranty Definitions**

1. *Sky Dry Clotheslines* (ABN 25 583 866 427)
2. Products manufactured by or on behalf of *Sky Dry Clotheslines* are referred to as products.
3. The term "warranty" refers to the length of time that *Sky Dry Clotheslines'* products are covered under its warranty. It commences on the day the item is purchased. Any replacement or repair of a product or part does not result in an extension of the original warranty period.

4. Workmanship is a term used to define the work done on or by *Sky Dry Clotheslines* in the areas of product manufacture, assembly, packing, and handling.

### Warranty Duration

The following warranty is offered for the *Sky Dry Clotheslines* products. This warranty is in addition to that required by the *Competition and Consumer Act 2010*

1. 11 years from the date of purchase

Any part of the '*Steel frame*' that has failed due to corrosion will be repaired or replaced at our option. The components described as the 'steel frame' is made up of square hollow steel parts.

2. 12 months from the date of purchase

Any component that fails because of faulty workmanship or defective materials will be repaired or replaced at our discretion.

This includes line wire.

If the product is or has been used commercially, the complete unit is covered by a one-year warranty period.

### Warranty Claims

*Sky Dry Clotheslines* advises that if the clothesline, or any component of it, fails due to a problem deriving from workmanship or a material fault at any time throughout the warranty period, we shall choose to repair or replace the part or product. In order for this to occur the following procedure must be followed:

1. When the consumer notices an issue or a flaw, they should contact *Sky Dry Clotheslines* immediately. In order to avoid further damage, the consumer should discontinue usage of the product.

When submitting your claim, we will require as a minimum the following information:

Name, address, contact number, email address, place of purchase, original proof of purchase (receipt), detailed description of the problem (photographs are very helpful)



Contact details are as follows:

- *Sky Dry Clotheslines*
- PO Box 571X Leumeah NSW 2560
- [sales@skydry.com.au](mailto:sales@skydry.com.au)
- [www.skydryclotheslines.com.au](http://www.skydryclotheslines.com.au)

2. Once we have received your claim it will be reviewed to determine whether it is a major or minor defect or fault

*Sky Dry Clotheslines* may be required to arrange for inspection of the item. Depending on the outcome of that review we will decide to either repair or replace the part or product.

3. The expense of filing a warranty claim must be covered by the buyer. The purchaser is liable for all transportation costs, as well as any damages or losses, incurred in transporting this appliance to and from the premises of *Sky Dry Clotheslines* or its authorised service agents.
4. Any part replacements due to approved warranty claims will be sent to you free of charge (including delivery) with replacement instructions

### **Warranty Exclusions**

*Sky Dry Clotheslines* should only be used for air drying laundry, and they should be utilised according to the operating instructions provided.

The warranty **excludes** the following:

- Damage during shipping or transportation
- Damage through regular wear and tear
- Damage caused through misuse or abuse
- Damage due to an incorrect installation
- Damage to overloading
- Damage due to the installation and use of non-genuine parts
- Damage due to abnormal or excessive weather conditions, e.g., storm damage, hail, fire, high winds, high humidity, excessive salt spray (coastal proximity – regular rinsing with fresh water may assist in prolonging components), chemical fallout
- Damage due to hiring out the unit to any person or persons
- Damage or faults due to installation of covers