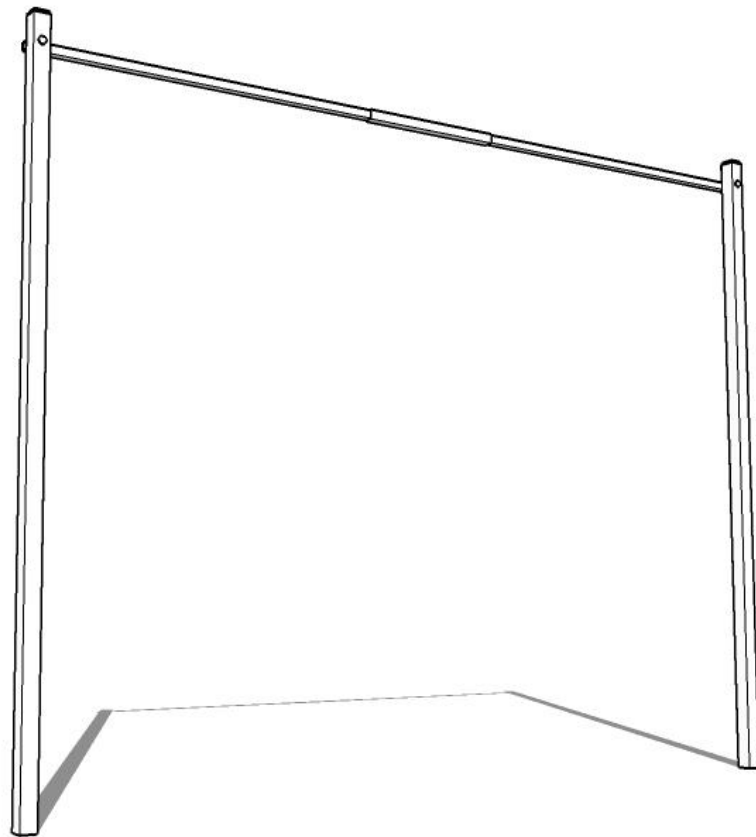


Air Dry
clotheslines

Ready Made Ground Mount Kit

Assembly instructions



Air Dry

clotheslines

Thank you for your purchase of our *Ready Made Ground Mount Kit*.

This manual includes a set of assembly instructions along with a user guide. Please thoroughly read through these to acquaint yourself before starting the assembly and use of the clothesline.

Parts:

- A. 2 x Posts
- B. 2 x spreaders*
- C. 1 x Small Joiner (up to 2400 width clotheslines only)**
- D. 1 x Large Joiner (over 2400 width clotheslines only)

1 x Accessory kit:

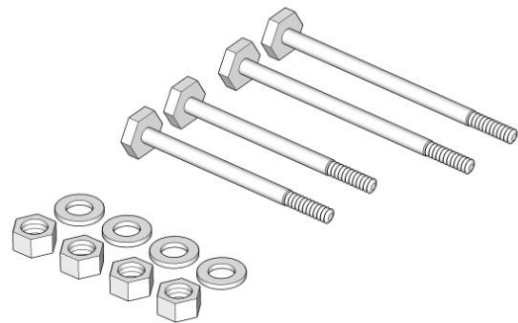
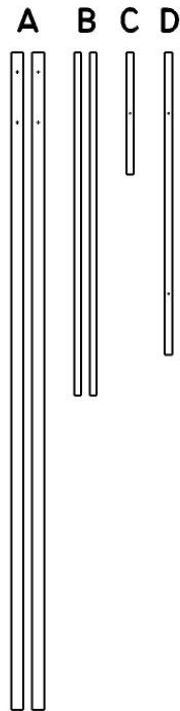
- 2 x 120mm bolts
- 2 x 90mm bolts
- 4 x nuts
- 4 x washers

Tools required:

- Post hole digger
- 13mm spanner or socket and ratchet
- Measuring tape
- 1-2 bags concrete mix
- Ground marker *
- Spirit level

**Clotheslines 1200 width and under have 1 spreader only*

***Clotheslines 1200 width and under do not require joiners*



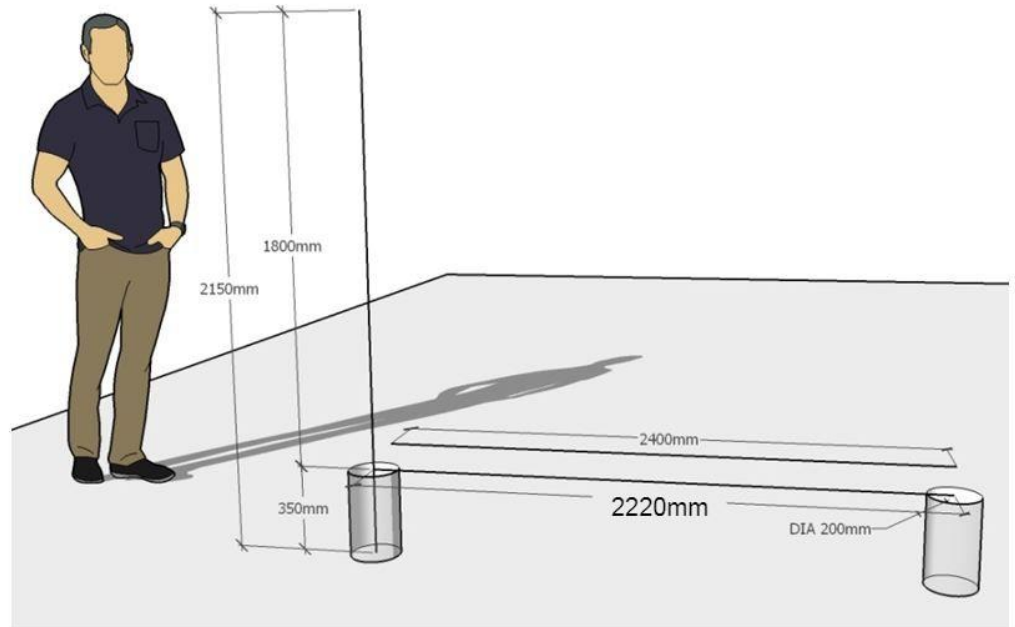
Soft surface recommended for assembly to avoid scratches.

Custom width modifications can be made by cutting the required amount equally from each end of the spreader to achieve the desired width.

Assembly instructions

Step 1: Formula to find the post hole centres

Using the overall width of the clothesline ordered, subtract 180mm and this will give you the distance between the post hole **centres**. Use the tape measure and mark the location for the first post hole. From this mark, using the hole centre



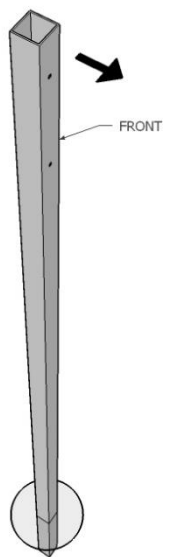
measurement, measure across the ground and mark the location for the second post.

Step 2:

At these marked locations, dig 2 holes - 200mm diameter, for the posts. The hole depth depends on the desired height of the clothesline. Standard posts are 2150 in length. Standard height above ground is 1800. Leg extension kits are available if extra height is required or if installation is on sloped land. Otherwise add 50-100mm to the height of the user as the height of the top posts.

Step 3:

Mix the concrete as per the manufacturer's instruction. Place one post inside the hole. Make sure that the double holes are facing front/ back. Check the height of the post and adjust accordingly. Pour the mixed concrete around the posts filling the hole 50%- 75%. Repeat with the opposite post.

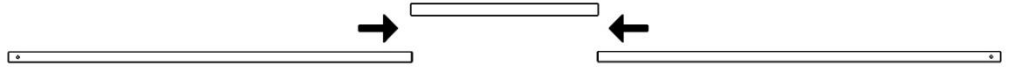


Step 4:

Assembling the rear bar

Parts required:

- 2 x Spreaders
- 1 x Joiner



Take 2 spreader bars and insert them into each end of the joiner to make one long bar.

Make sure to leave the ends with the holes outside and facing the same direction.

Step 5:

Attaching the clothesline unit

- 2 x 120mm bolts
- 2 x 90mm bolts
- 4 x nuts
- 4 x washers
- New long spreader bar (Step 4)

Make sure that the **wall side** sticker is facing the post and the strut spring is facing backwards, away from you. Take the 120mm bolt with a washer and insert it through the top hole of the arm assembly and through the post. Lift one end of the long spreader bar and place it onto the bolt and secure with a nut. Take the 90mm bolt with the washer, place it through the bottom hole on the arm assembly then through the post and secure with a nut.

Repeat with the opposite arm assembly. Measure the distance between the top of the posts and the bottom of the post and make sure this is the same and parallel. Adjust if needed.

Continue installation using your clothesline wall mounted instructions.

