

Air Dry
clotheslines



Ground Mounted Clothesline

Assembly instructions

Air Dry

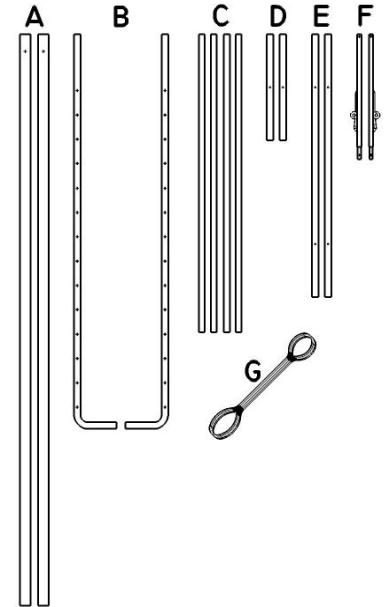
clotheslines

Thank you for purchase of our *Ground Mounted* clothesline. We hope this clothesline fulfils your laundry needs and continues to remain of benefit to you and your family.

This manual includes a set of assembly instructions along with a user guide. Please thoroughly read through these to acquaint yourself before starting the assembly and use of the clothesline.

Parts:

- A. 2 x Posts
- B. 2 x Arms
- C. 4 x Spreaders*
- D. 2 x Small Joiners (up to 2400 width clotheslines)**
- E. 2 x Large Joiners (over 2400 width clotheslines)
- F. 2 x Struts
- G. 1 x Cord Bundle

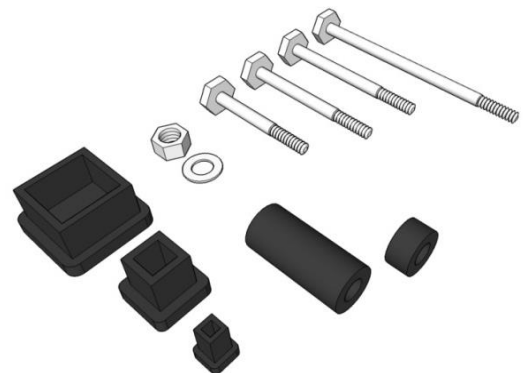


**Clotheslines under 1200 width have 2 spreaders only*

***Clotheslines under 1200 width do not require joiners*

1 x Accessory kit:

- 2 x 120mm bolts
- 2 x 80mm bolts
- 2 x 75mm bolts
- 2 x 60mm bolts
- 8 x nuts
- 2 x washers
- 2 x Large 45mm spacers
- 4 x Small 10mm spacers
- 2 x 40/40 large caps –Posts
- 2 x 22/22 medium caps - Spreaders
- 2 x 12/12 small caps - Struts



Tools required:

- Post hole digger
- 13mm spanner or socket and ratchet
- Measuring tape
- 1-2 bags concrete mix
- Ground marker
- Spirit level
- Cord cutters

Soft surface recommended for assembly to avoid scratches.

Custom width modifications can be made by cutting the required amount equally from each end of the spreader to achieve the desired width.

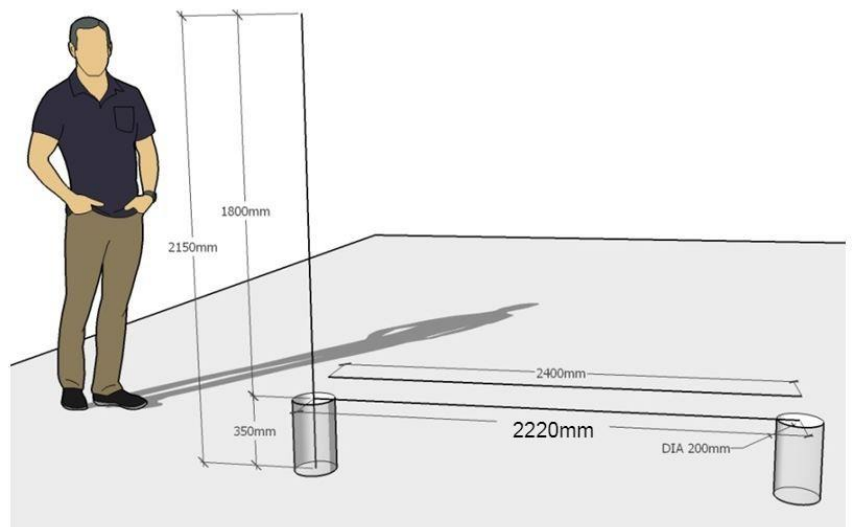
Assembly instructions

Step 1: Formula to find the post hole centres

Using the overall width of the clothesline ordered, subtract 180mm and this will give you the distance between the post hole **centres**. Use the tape measure and mark the location for the first post hole. From this mark, using the hole centre measurement, measure across the ground and mark the location for the second post.

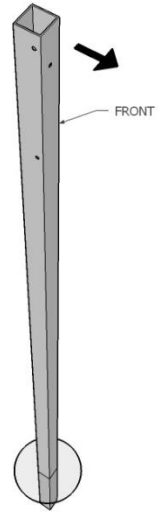
Step 2:

At these marked locations, dig 2 holes - 200mm diameter, for the posts. The hole depth depends on the desired height of the clothesline. Standard posts are 2150 in length. Standard height above ground is 1800. Leg extension kits are available if extra height is required or if installation is on sloped land. Otherwise add 50-100mm to the height of the user as the height of the top posts.



Step 3:

Mix the concrete as per the manufacturer's instruction. Place one post inside the hole. Make sure that the singular hole is facing front/ back and the dual holes are on the side, offset towards the front. Check the height of the post and adjust accordingly. Pour the mixed concrete around the posts filling the hole 50%- 75%. Repeat with the opposite post. Place 40/40 large end caps onto the top of each post. May need a hammer to put into place.



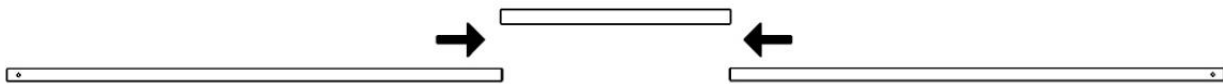
Step 4: Assembling the rear bar

Parts required:

- 2 x Spreaders
- 1 x Joiner

Take 2 spreader bars and insert them into each end of the joiner to make one long bar.

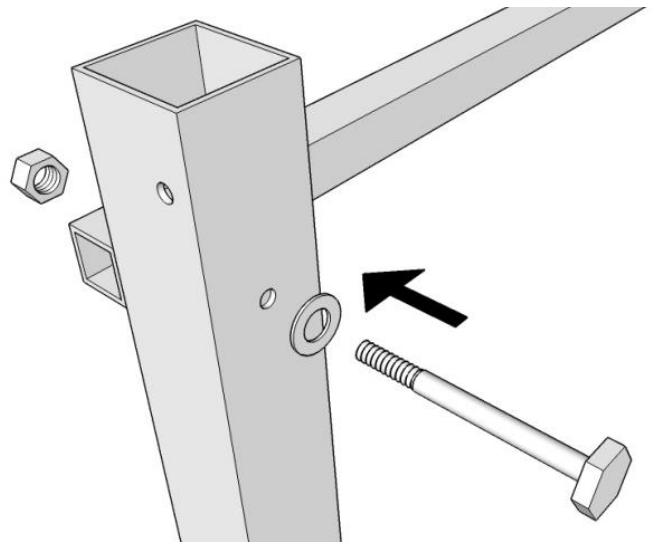
Make sure to leave the ends with the holes **outside** and facing the same direction.



Step 5: Parts required

- 2 x 75mm bolts
- 2 x nuts
- 2 x washers
- New long spreader bar (Step 4) – insert 25/25 medium end caps

Take the 75mm bolt with a washer and insert it through the front of the top singular hole of the post and out the back. Lift one end of the long spreader bar and place it onto the bolt and secure with a nut. Repeat with the opposite end. Measure the distance between the top of the posts and the bottom of the post and make sure this is the same and parallel. Adjust if needed.

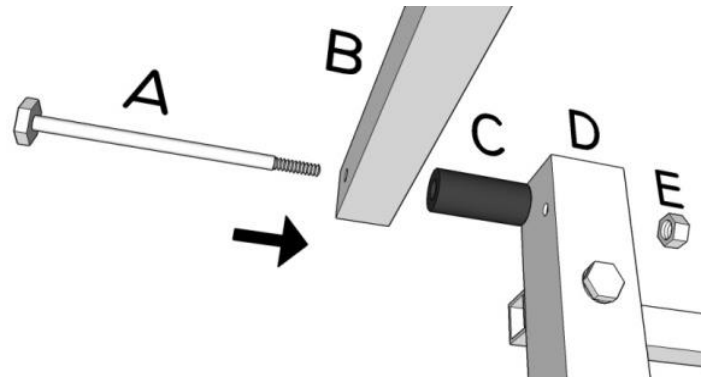


Step 6: Assembling the arm/strut mechanism

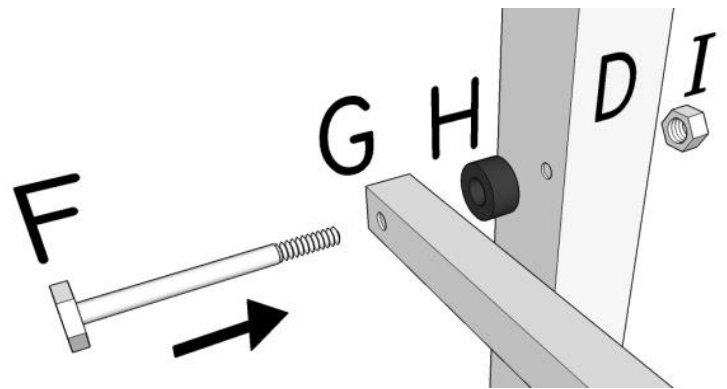
Parts required:

- 2 x 120mm bolts
- 2 x 80mm bolts
- 2 x 60mm bolts
- 6 x Nuts
- 2 x Large 45mm spacer
- 4 x Small 10mm spacer
- 2 x Arms
- 2 x Struts – insert 12/12 small end caps

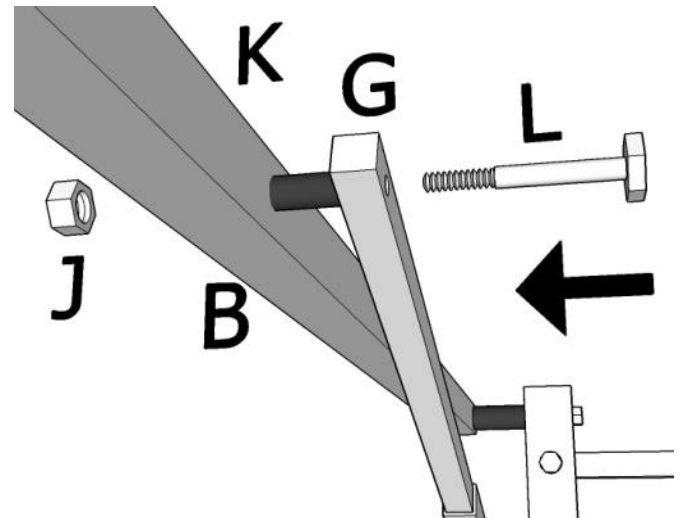
Working from the outside to the middle, thread the 120mm bolt (A) through the arm (B) followed by the 45mm spacer (C). Insert the bolt through the top hole on the post (D) and finishing by locking with a nut (E).



Working from the outside to the middle, thread the 80mm bolt (F) through the top of the strut (G) followed by a 10mm spacer (H). Making sure to have the strut spring facing backwards and away from you, thread the bolt through the second hole on the post (D) and finishing by locking with a nut (I).



Working from the inside to the outside, thread the 60mm bolt (L) through the hole at the bottom of the strut (G) followed by the 10mm spacer (K). Insert the bolt through the second hole in the arm (B) and finish by locking with a nut (J). See Figure 6. This eliminates the end of bolt rubbing on the posts. Tighten all nuts once the arms section has been assembled.

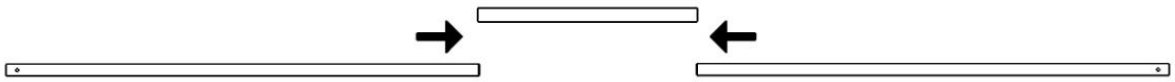


Step 7: Assembling the front bar

Parts required:

- 2 x Spreaders
- 1 x Joiner

Place the spreaders on the ground. Insert the 2 spreaders into each end of the joiner to make one long bar. Place each end of the bar into the ends of the arms.



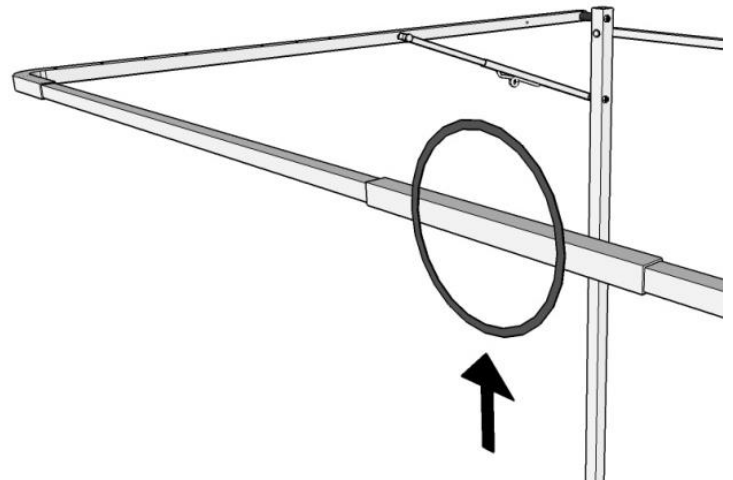
Step 8: Lifting and lowering the frame

Lifting: Lift the front bar evenly from the **centre** slightly past horizontal until you hear both struts click and engage. Gently release the front bar.

Lowering: To disengage the struts and lower the frame, lift the bar evenly from the **centre** until both struts click and lower the frame.

Please note: if the front bar is lifted in an uneven manner, both struts will not engage. If this happens, reset by disengaging the strut and lower the frame. Start the process again, making sure to place your hands directly in the **centre** and lifting evenly.

Warning: Do not continue to lift the bar past the engaging point (struts clicking) as this will break the strut mechanism and a new strut will be needed at the cost of the consumer.



Step 9: Wiring

Parts Required:

- 1 x bundles of cord
- Scissors or wire cutters (not supplied)

Unravel the bundle of cord.

Take one end of the cord and thread the cord up through the first hole at the front of the arm. You may start from either side. Leave 300mm at the start for tying off on completion.

Bring the cord across to the opposite arm and thread it down the corresponding hole. Thread it back up the second hole next to it and bring the cord across to the opposite arm and down the second hole. See figure 9a. Repeat this process until all holes have been occupied leaving 300mm at the end for tying off on completion.

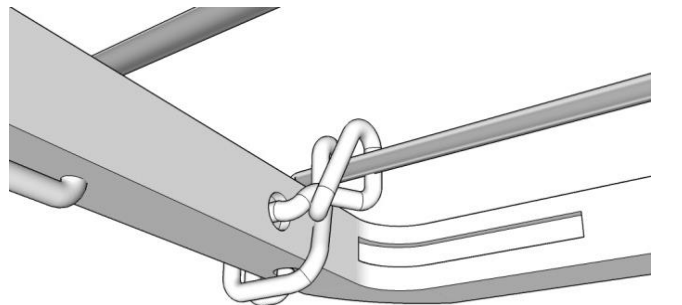
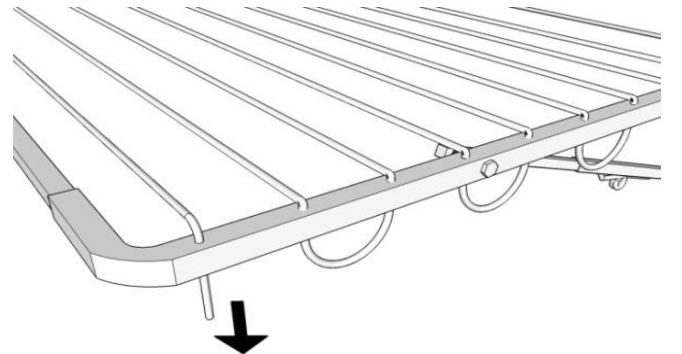
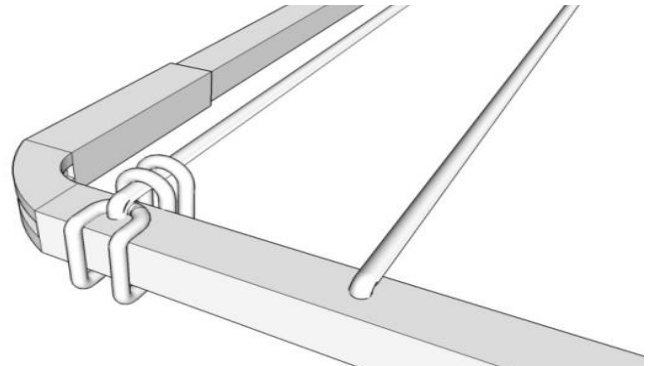
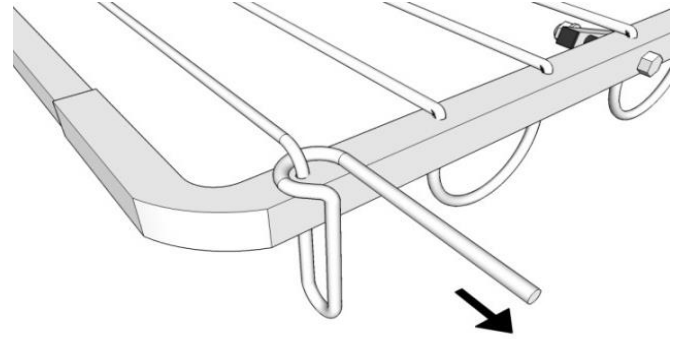
Once all holes have been threaded, bring each end of the cord around from the bottom of the frame, around to the outside of the frame. Place the cord under the previous line of cord and bring back to the outside of the frame to create an anchor tie off point. See figure 9b.

Starting from the front of the clothesline, place your hands in the centre of the first cord and pull downwards to remove slack out of the line.

Repeat this process on every line of cord. When you have tightened the last cord, release the end anchor tie off point and re-tighten.

Repeat this process for further tensioning. Once you are happy with the tension of the cord, complete both anchor tie off points with 2 x half hitch knots.

Cut off the remaining cord using wire cutter/ scissors, leaving 100mm to be tucked into the inner arm hole. See figure 9c.



Step 10: Final adjustments

Lower the frame to the fold down position

Horizontal checks:

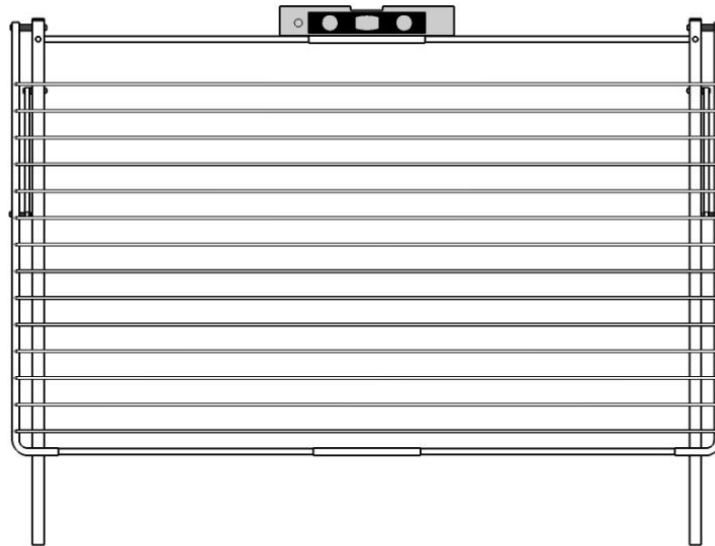
Sit the spirit level on the rear spreader bar. Make sure this is level. Post adjustment may be needed. Raising and lowering the post height can be done by lifting and packing concrete as needed.

Vertical checks:

Place the spirit level on front/ rear side of the post and also sides of the posts and make sure level. Repeat concrete packing method for adjustments.

Once clothesline is installed and square, fill the remainder of the holes with mixed concrete.

Leave clothesline in the fold down position and allow 48-72 hours for concrete to set or as per manufacturer's instructions.



Air Dry Clotheslines are manufactured and warranted by Sky Dry Clotheslines

Warranty Limitations

Sky Dry Clotheslines provide no other warranties or depictions other than those already stated in this Warranty. The maximum limit of *Sky Dry Clotheslines* liability under this warranty, is product or part replacement.

Warning

- This clothesline is not to be used for swinging or climbing on
- This clothesline is only to be used for the intended purpose of air drying of laundry in line with the operating instructions.
- Discontinue use of the clothesline if any of the parts are damaged or worn.

Warranty

Sky Dry Clotheslines complies completely with the Consumer Laws as prescribed by the *Competition and Consumer Act 2010*. A link to the Act on their website:

<https://www.accc.gov.au/about-us/australian-competition-consumer-commission/legislation>

No liability (whether expressed or implied) of any kind whatsoever, is accepted by *Sky Dry Clotheslines* for any consequential loss, damage, or injury arising as a result of any defect in the products, subject to the requirements of any applicable Act or legislation and to the extent permitted by law.

Our products are backed with guarantees that cannot be revoked under Australian consumer law. A major failure entitles you to a replacement or refund, as well as compensation for any foreseeable loss or damage. If the items fail to be of acceptable quality and the fault does not amount to a major failure, you have the right to have them repaired or replaced.

Warranty Definitions

1. *Sky Dry Clotheslines* (ABN 25 583 866 427)
2. Products manufactured by or on behalf of *Sky Dry Clotheslines* are referred to as products.
3. The term "warranty" refers to the length of time that *Sky Dry Clotheslines'* products are covered under its warranty. It commences on the day the item is purchased. Any replacement or repair of a product or part does not result in an extension of the original warranty period.
4. Workmanship is a term used to define the work done on or by *Sky Dry Clotheslines* in the areas of product manufacture, assembly, packing, and handling.

Warranty Duration

The following warranty is offered for the *Sky Dry Clotheslines* products. This warranty is in addition to that required by the *Competition and Consumer Act 2010*

1. 11 years from the date of purchase

Any part of the '*Steel frame*' that has failed due to corrosion will be repaired or replaced at our option. The components described as the 'steel frame' is made up of square hollow steel parts.

2. 12 months from the date of purchase

Any component that fails because of faulty workmanship or defective materials will be repaired or replaced at our discretion.

This includes line wire.

If the product is or has been used commercially, the complete unit is covered by a one-year warranty period.

Warranty Claims

Sky Dry Clotheslines advises that if the clothesline, or any component of it, fails due to a problem deriving from workmanship or a material fault at any time throughout the warranty period, we shall choose to repair or replace the part or product. In order for this to occur the following procedure must be followed:

1. When the consumer notices an issue or a flaw, they should contact *Sky Dry Clotheslines* immediately. In order to avoid further damage, the consumer should discontinue usage of the product.

When submitting your claim, we will require as a minimum the following information:

Name, address, contact number, email address, place of purchase, original proof of purchase (receipt), detailed description of the problem (photographs are very helpful)

Contact details are as follows:

- *Sky Dry Clotheslines*
- PO Box 571X Leumeah NSW 2560
- info@skydry.com.au
- 0492 225 470

- www.skydryclotheslines.com.au
- 2. Once we have received your claim it will be reviewed to determine whether it is a major or minor defect or fault

Sky Dry Clotheslines may be required to arrange for inspection of the item. Depending on the outcome of that review we will decide to either repair or replace the part or product.

- 3. The expense of filing a warranty claim must be covered by the buyer. The purchaser is liable for all transportation costs, as well as any damages or losses, incurred in transporting this appliance to and from the premises of *Sky Dry Clotheslines* or its authorised service agents.
- 4. Any part replacements due to approved warranty claims will be sent to you free of charge (including delivery) with replacement instructions

Warranty Exclusions

Sky Dry Clotheslines should only be used for air drying laundry, and they should be utilised according to the operating instructions provided.

The warranty **excludes** the following:

- Damage during shipping or transportation
- Damage through regular wear and tear
- Damage caused through misuse or abuse
- Damage due to an incorrect installation
- Damage to overloading
- Damage due to the installation and use of non-genuine parts
- Damage due to abnormal or excessive weather conditions, e.g., storm damage, hail, fire, high winds, high humidity, excessive salt spray (coastal proximity – regular rinsing with fresh water may assist in prolonging components), chemical fallout
- Damage due to hiring out the unit to any person or persons
- Damage or faults due to installation of covers