

RAMBO BIKES



Scan the QR code for a video of step-by-step assembly and operation

TAKES YOU PLACES YOU'VE NEVER BEEN

Rambo Bikes

22844 230th Ave | Centerville, IA 52544

2nd Edition, April 2023, Published by Rambo Bikes, Centerville Iowa. All rights reserved.

TABLE OF CONTENTS

GENERAL WARNINGS.....

IDENTIFYING HITCH PARTS.....

ASSEMBLY.....

FEATURES OF YOUR HAULER.....

OPERATING INSTRUCTIONS.....

INSPECTION BEFORE EVERY USE.....

MAINTENANCE AND CARE.....

TROUBLESHOOTING GUIDE.....

STANDARD LIMITED WARRANTY.....

CONTACT INFO

Email: cs@rambobikes.com | Phone: (952) 283-0777 | Website: rambobikes.com

GENERAL WARNINGS:

Should you have any questions about the assembly and/or use of this product, or any other Rambo Bikes product(s) do not hesitate to call one of our customer service representatives at (952) 283-0777 or visit Rambo Bikes online at rambobikes.com. Our customer service representatives will answer any questions you may have about any of the complete line of Rambo Bike's products.

PLEASE READ AND OBSERVE THE INSTRUCTIONS CAREFULLY BEFORE YOU USE THE PRODUCT AND KEEP THEM IN A SAFE PLACE FOR FUTURE USE. CHECK THE PARTS LIST AFTER OPENING THE PAGE. MAKE SURE THAT ALL THE PARTS ARE FULLY ASSEMBLED ACCORDING TO THE INSTRUCTIONS BEFORE FITTING IT ON YOUR CAR.

THE USER IS RESPONSIBLE FOR ASSEMBLY AND INSTALLATION OF THIS PRODCUT, AND THE MANUFACTURER DISCLAIMS ANY LIABILITY DUE TO IMPROPER FIT OR USE OF THE PRODUCT.

DO NOT PERMIT CHILDER TO USE THIS EQUIPMENT. DO NOT PERMIT OTHERS TO USE THIS PRODUCT UNTILL THEY HAVE READ THE INSTRUCTION MANUAL.

FAILURE TO PROPERLY INTALL THIS BIKE CARROR AND/ OR BIKES, MAY CAUSE DAMAGE TO THE VEHICLE AND/ OR THE BIKES AND MAY RESULT IN PERSONAL INJURY OR PROPERTY DAMAGE.

DO NOT USE THIS PRODUCT FOR PURPOSES OTHER THAN THOSE FOR WHICH IT IS DESIGNED. DO NOT MODIFY ANY COMPONENTS OF THE PRODUCT. REMOVE THE CARRIER FROM THE VEHICLE IF NOT IN USE.

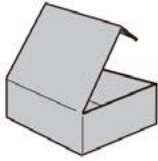
DO NOT USE THE CARRIER TO CARRY MORE BIKES THAN RECOMMENDED. THE WEIGHT LIMIT OF EACH BIKE CANNOT EXCEED 72 LBS.

THE BIKE CARRIER IS DESIGNED TO BE ATTACHED DIRECTLY ONTO VEHICLES WITH A 2 INCH HITCH RECIVER. DO NOT ATTACH TO MOTORHOMES/CAMPERS/RV'S. ONLY ATTACH TO CLASS 2 HITCHES, NOT TO TRAILERS, OR BEHIND MOTORHOMES/CAMPERS OR RV'S.

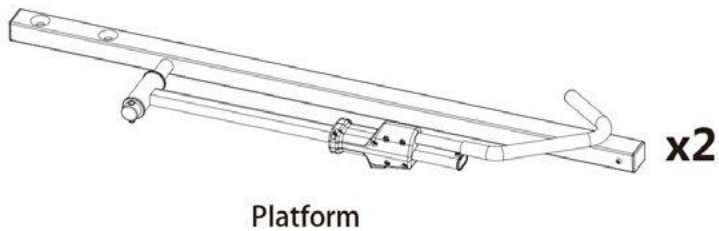
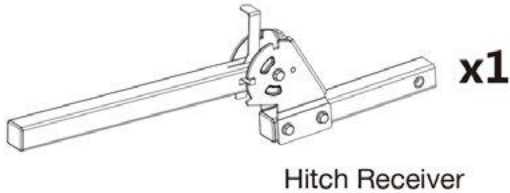
THIS BIKE RACK IS NOT INTENDED FOR TRANSPORTING TANDEM OR RECUMBENT BICYCLES. DO NOT TRANSPORT BICYCLES WITH ATTACHED BABYSEATS, PANNIERS, WHEEL COVERS, FULL BIKE COVERS.

WHEN TRANSPORTING EBIKES, ALWAYS BE SURE TO REMOVE THE BATTERY. BATTERIES LEFT ON THE BIKE MAY FALL OFF WHEN DRIVING, OR ADD ADDITONAL WEIGHT TO THE BIKE THAT IS NOT NEEDED. MOST EBIKE BATTERIES WEIGH 8LBS, REMOVING THE BATTERY WILL LOWER THE TOTAL BIKE WEIGHT SIGNIFICANTLY.

IDENTIFYING HITCH PARTS



PARTS



HARDWARE



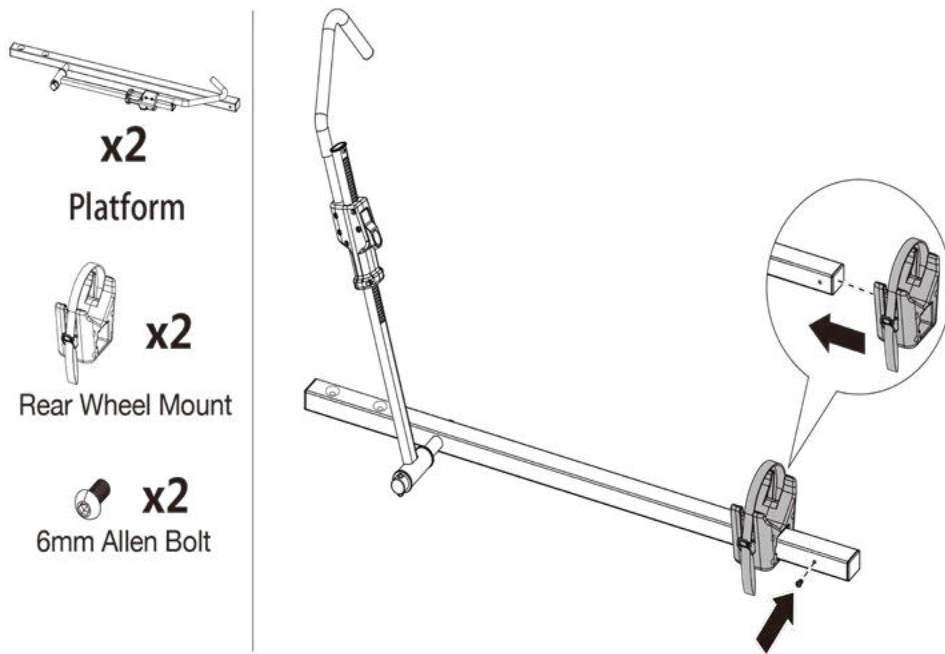
PARTS

Part #	Description	Qty
RP-184-01	Hitch Receiver	1
RP-184-02	Rear Wheel Mount	2
RP-184-03	Front Wheel Tray	2
RP-184-04	Bottom Clamping Bracket	2
RP-184-05	Top Clamping Bracket	2
RP-184-06	Platform	2

HARDWARE

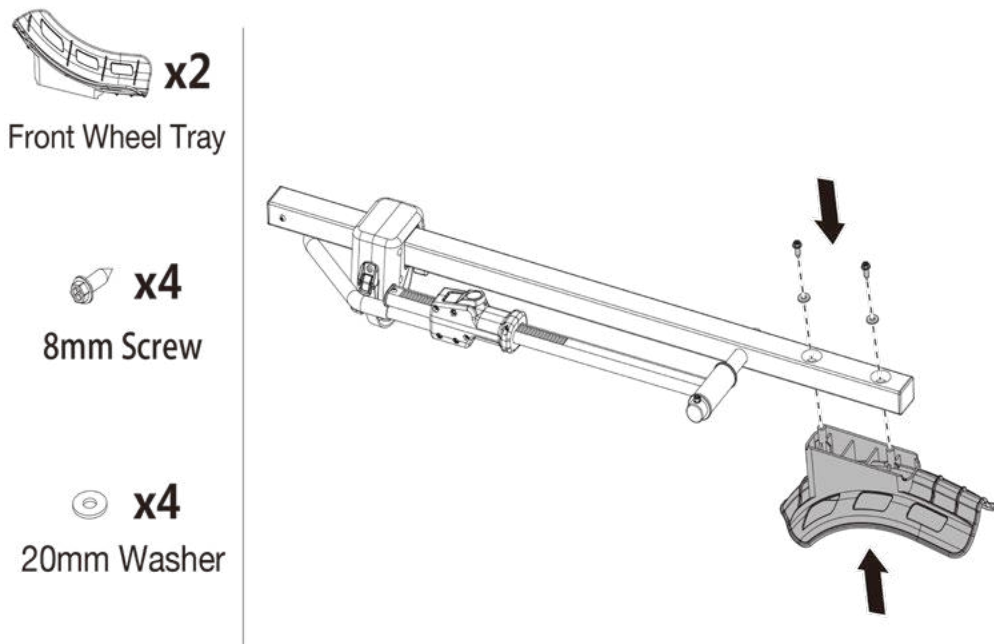
Part #	Description	Qty
RP-184-20	Cotter Key	1
RP-184-21	20mm Washer	4
RP-184-22	16mm Washer	1
RP-184-23	30mm Washer	1
RP-184-24	16mm Hitch Bolt	1
RP-184-25	8mm Screw	4
RP-184-26	6mm Allen Bolt	2
RP-184-27	8mm Allen Bolt	8
RP-184-28	10mm Pivot Locking Bolt	1
RP-184-29	Front Wheel Strap	2

ASSEMBLY

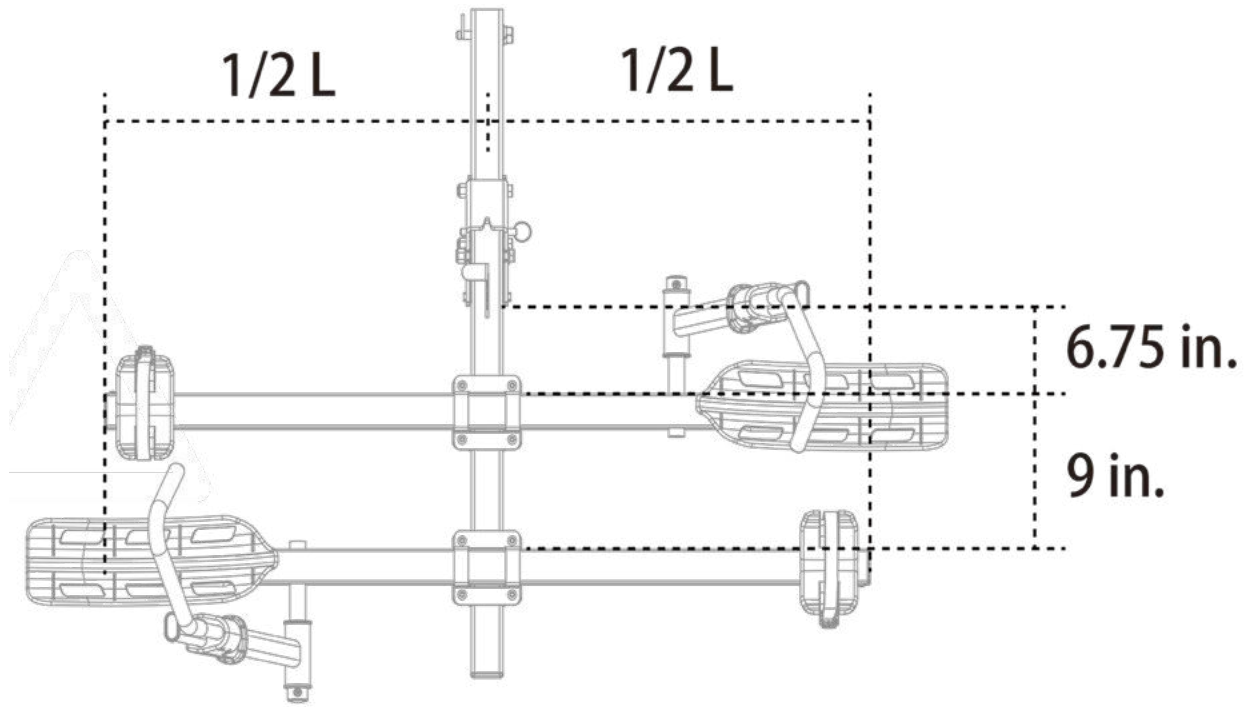


Pre Assembly

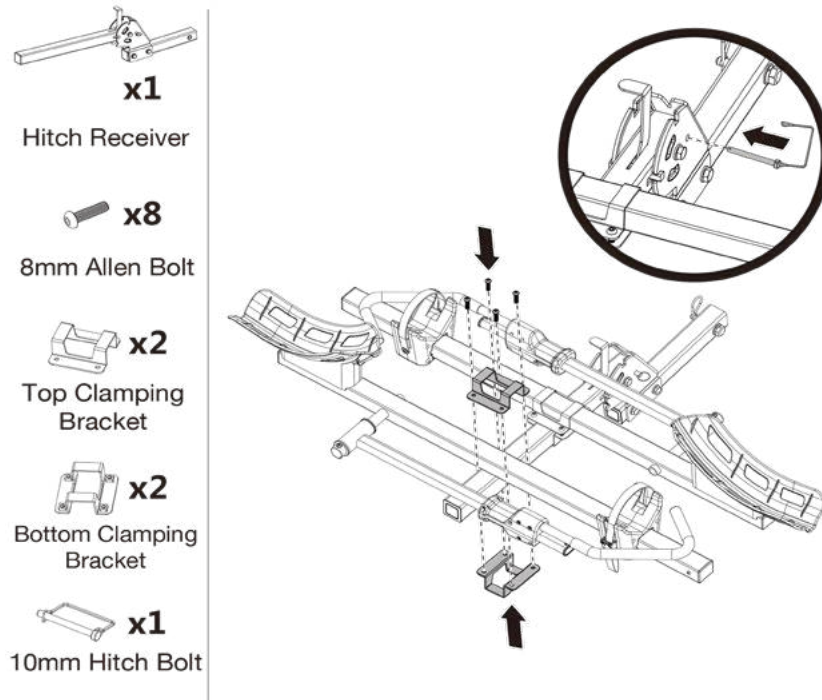
Step 1. Install the rear wheel mount onto the platform. Then install the short 6mm Allen bolt to the platform. As shown above.



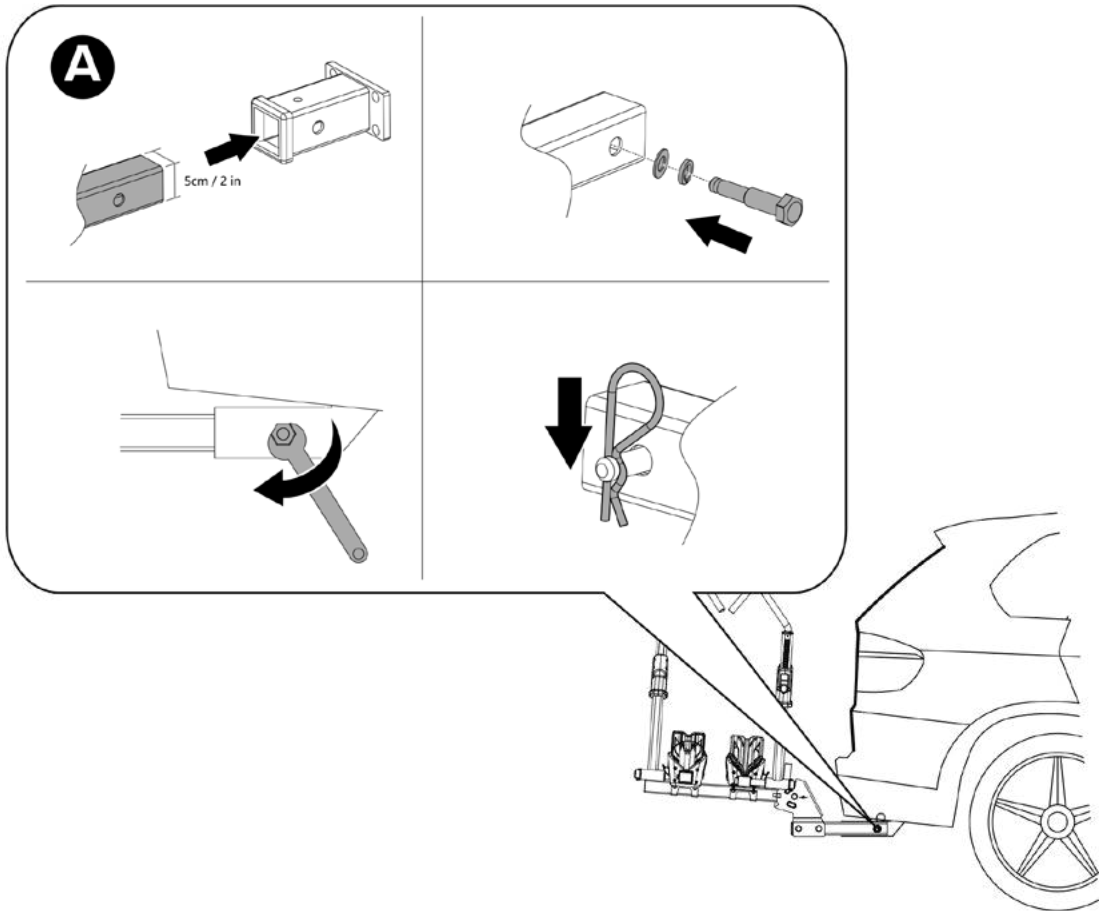
Step 2. Install the front wheel tray to the platform using two 8mm screws and two 20mm washers. *Note: be sure the front wheel clamp and front wheel tray are positioned as Figure 2 shows above.



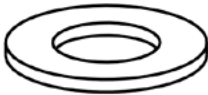
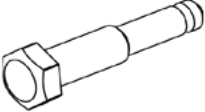


Step 3. First, review the measurement chart shown above. Then install the front platform onto the hitch receiver, making sure the front wheel clamp is forward toward the vehicle. Attach the platform with the top clamping bracket and bottom clamping bracket using four 8mm Allen bolts. Make sure to alternate sides when tightening to ensure an even and tight fit. *Note: with the front wheel clamp folded down, ensure the hitch folding lever has enough clearance to function properly.



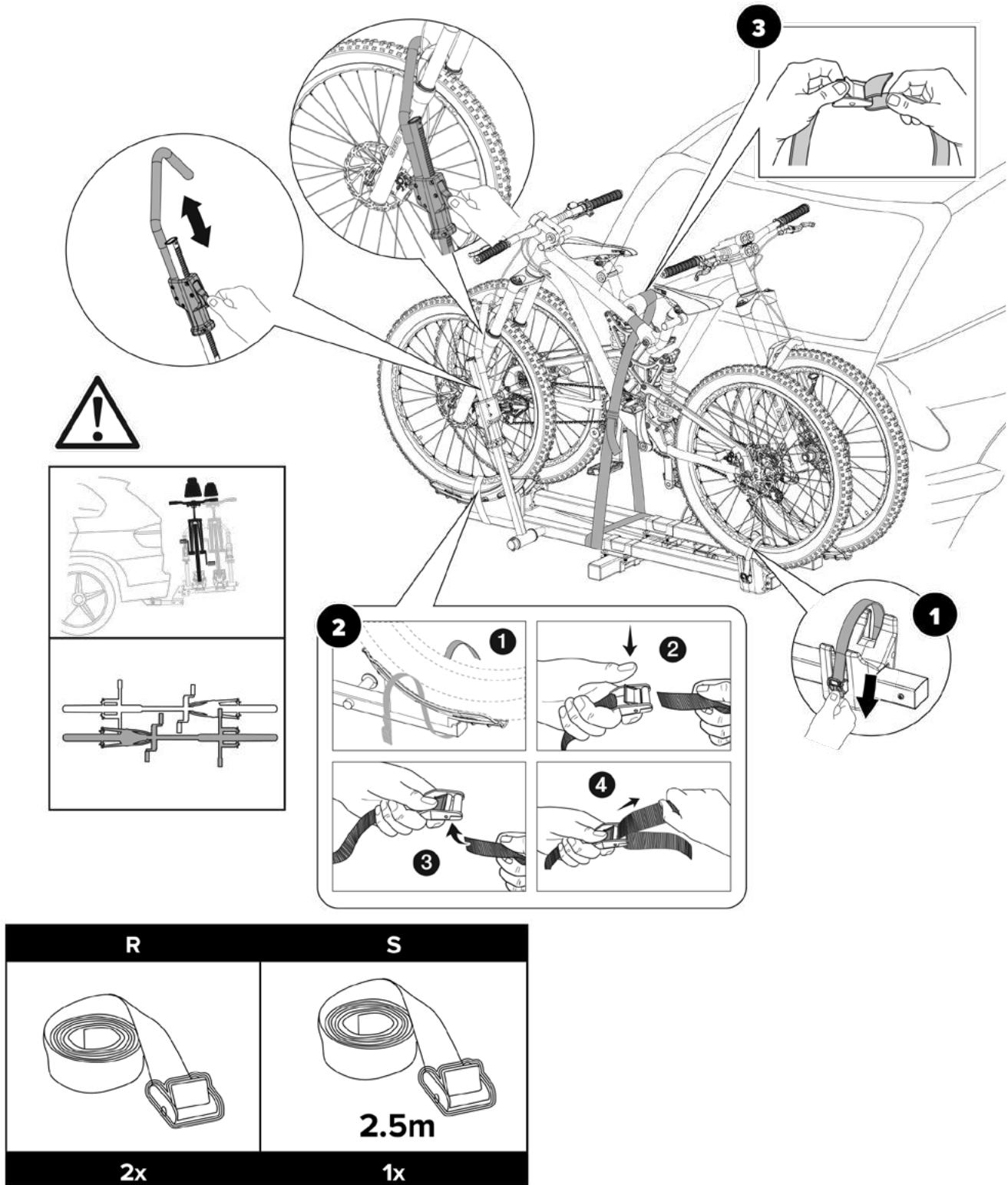
Step 4. Review the measurement chart on Figure 3. Then repeat the same process for the second platform. Making sure the front wheel clamp is on the outside (backside) of the bike hauler as shown above.



G	I	J	K
			
1x	1x	1x	1x

Step 5. Before installing confirm your vehicle uses a 2" hitch receiver. Then, install the hitch receiver into your vehicle, making sure the vehicle hitch hole and the hitch receiver holes are aligned. Insert the lock washer, onto the bolt followed by the large washer. Next insert the hitch bolt and tighten until secure. Once secured install the cotter key onto the hitch bolt as shown above.

SAFETY STRAPS

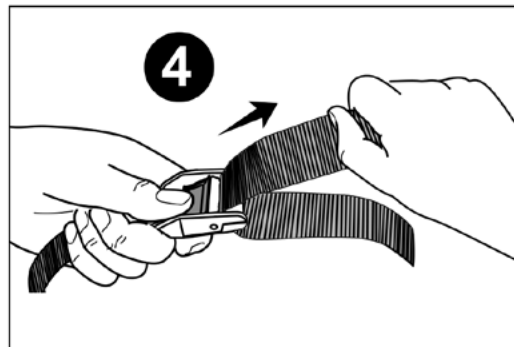
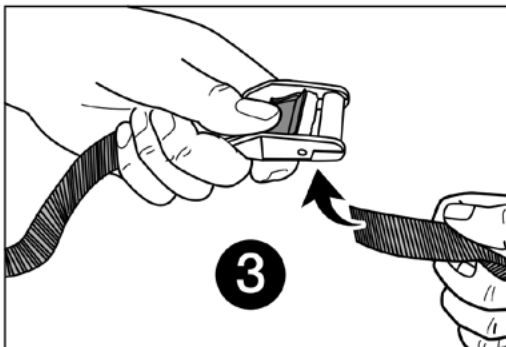
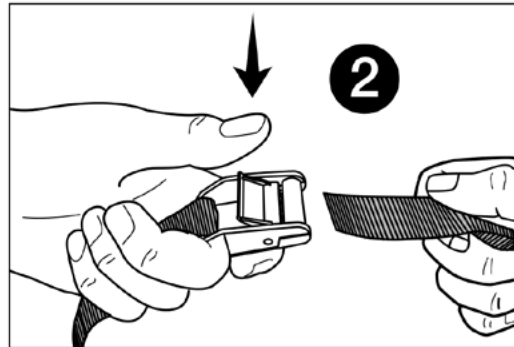
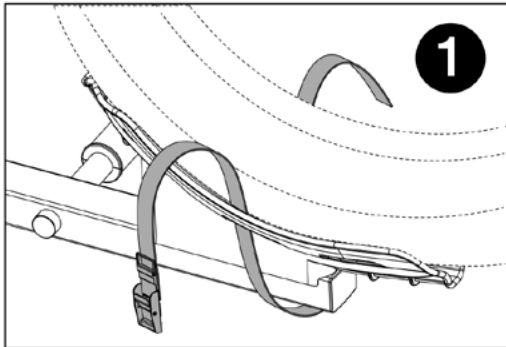
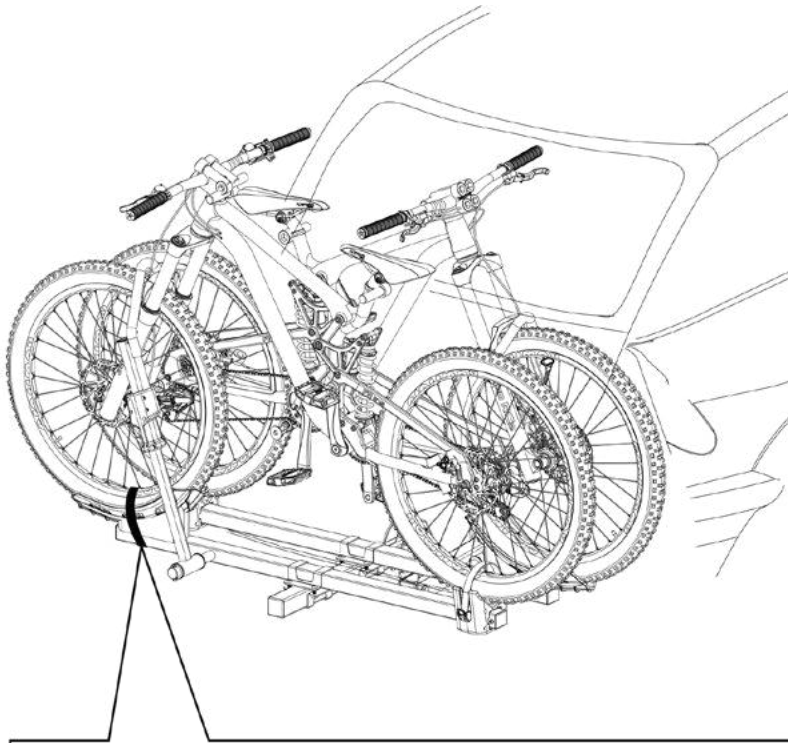


Fasten the bike rear wheel to the rear wheel mount.

Fasten the front wheel to the front wheel tray using the short safety strap.

Fasten the bike frame(s) to the carrier platform using the long safety straps (8ft strap)

HOW TO USE YOUR SAFTEY STRAPS

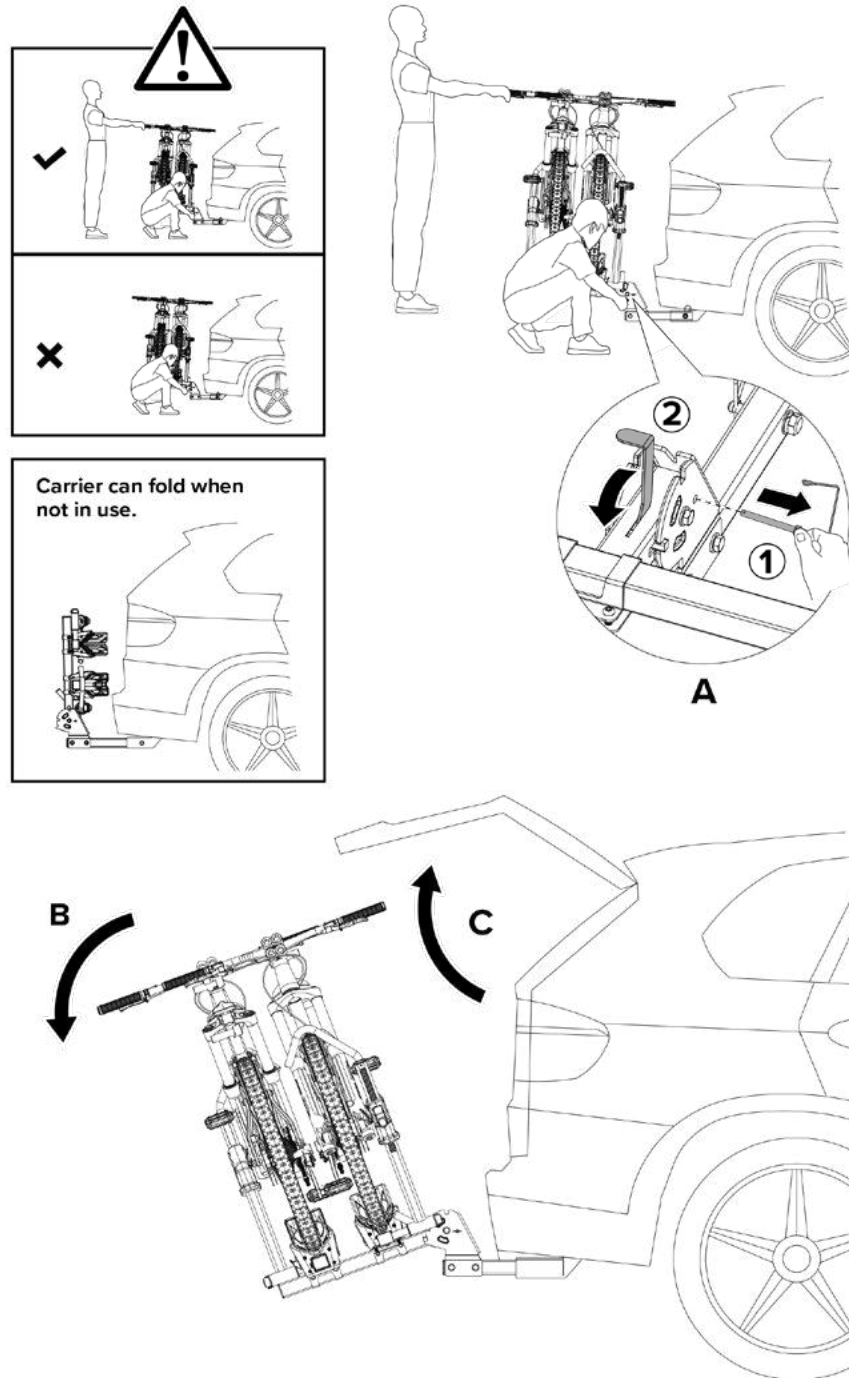


Wrap support strap through the front wheel tray and around the bike wheel.

Push down on the cam buckle and feed the tag end of the strap through the cam buckle.

Pull the tag end until the safety strap is tight, double check that the strap is tight.

FEATURES OF YOUR HAULER









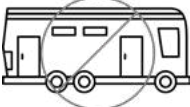
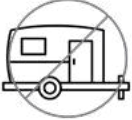



Your bike carrier has two folding options, one options allows the carrier to fold down to allow access to your SUV rear door. The second option allows you to fold the bike carrier up when not hauling bikes.

To fold the bike carrier down, remove the safety pin from the pivot. Then, with the help of another person, slightly lift up and pull the pivot lever to disengage the locking device and gently lower the bike(s) down. Repeat this step to put the bike(s) back into the level position, confirming the carrier is locked into position and the safety pin is re-instated.

To fold the bike carrier up, remove the safety pin from the pivot bracket. Then pull the pivot lever and raise the carrier to the folded up position. Then reinstall the safety pin. Repeat this step to put the bike carrier back into the level position, confirming the carrier is locked into position and safety pin is reinserted.

ROAD SAFETY

-  The bike rack will add extra length to your vehicle and bikes may increase width and height. Be aware when traveling in narrow spaces or low clearance. Also add extra attention when backing up.
-  The load of the bike carrier and bicycles will affect driving. Do not exceed 65mph.
-  Drive slowly over speed bumps, potholes or ruff raods. Follow road speed limits and lower speed if necessary. Failure to follow these instructions could result in damage to bikes, bike carrier or vehicle.
-  It is not recommended to drive off road, doing so could cause damage to bike, bike carrier and vehicle.
-  Before driving inspect that your bike carrier has enough clearance to the ground. Especially when going up and down approaches or driveways.
-  If you hit a pothole or bump in the road, but sure to stop and inspect the bikes and the carrier that everything is secure and in place. Failure to stop and inspect could result in bike, bike carrier and vehicle damage.
-  Always remove bike carrier before attempting to use an automatic car wash.
-  **DANGER! DO NOT MOUNT THIS CARRIER TO RVS, TRAVEL TRAILERS, OR OTHER MID-AXLE VEHICLES THAT MAY HAVE CAUSE TOO MUCH TORQUE DURING TRANSPORT:** Torque from the mid-axle tires on RVs and travel trailers can cause too much strain on the carrier, causing damage to your bicycle carrier and/or possibly creating loss of stability or swaying of the carrier, leading bicycles to fall out of place entirely during transportation. Failure to follow this warning can lead to serious injury or even death.  
-  **DANGER! STRAPPING YOUR HEAVY BIKES FOR SECURE TRANSPORT:** DK2 recommends the use of an additional bike rack support strap with all hitch-mounted carriers. We recommend a rack strap with a cambuckle for added support and security.

MAINTENANCE AND CARE

Always inspect your bike carrier for signs of wear, corrosion, fatigue or any broken parts before each use.

It is recommended to store your bike carrier inside a garage or storage shed. Keep the carrier out of the elements to help extend the life of the carrier.

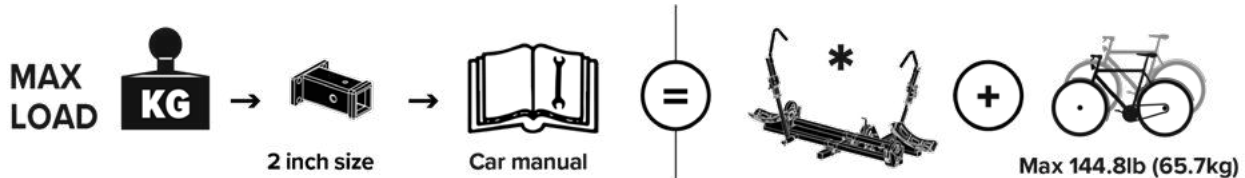
If not in use it is best to remove from your vehicle and store in your garage or storage shed.

Lubercate bolts in order to avoid corrosion.

If using in winter with salty roads be sure to wash your carrier after use.

This product is not intended to be used in extreme weather conditions, especially the sea coast.

Only use on 2" hitch receiver.



STANDARD LIMITED WARRANTY

Bicycle Lifespan. Rambo Bikes™ have an expected lifespan depending on the level of care and/or use. Misuse, neglect, and abuse will significantly reduce the expected lifespan of your bike. Some types of riding styles - competition, jumping, downhill racing, and extreme conditions or climates - will all impact the lifespan of your bike and its components. These types of riding may cause premature failure of your bike and its components. This warranty does not extend to any failures associated with this type of riding, or to any Rambo products that have been subject to misuse, neglect, abuse, or improper storage, or if the product is modified or altered in any way other than as directed by official Rambo Bike instructions. Always have your bike periodically inspected by a qualified bicycle technician. These inspections are crucial for the safety of you and others around you as well as extending the lifespan of your Rambo.

Limited Lifetime Frame Warranty Rambo bike frames are warranted against factory defects for the lifetime of the original purchaser if they remain the owner of the Rambo bike. This warranty is non-transferable. Your Rambo frame is warranted against premature failure caused by faulty workmanship or materials, as determined by Rambo Bikes. Frames must be returned to Rambo Bikes at the owner's expense for determination of defect and/or replacement. If a frame replacement is found to be warranted by Rambo Bikes, a comparable frame (depending on availability) will be issued to the original purchaser. Front forks and suspension forks do not have a lifetime warranty!

Warranty Beyond the lifetime frame warranty, Rambo Bikes warrants all bikes, enclosed hardware (where applicable) and accessories to be free from defects in material and workmanship for a period of twelve months from the original date of purchase. Some components on your Rambo bike such as brakes, tires, tubes, chains, grips, motors, and cables are not warranted against normal wear. If you find a product to be defective, contact Rambo at 952-283-0777. All components must be returned at the owner's expense for inspection. Product repairs and/or updates not covered by the warranty will be provided at a set rate. At its sole discretion, Rambo will determine whether the component will be covered under this warranty. This warranty is in lieu of all other warranties expressed or implied. You may have certain legal rights that extend beyond this warranty in certain states. Terms and Conditions of this Limited Warranty This limited warranty does not cover installation, disassembly, adjustments of components, normal wear and tear, damage caused by improperly installed parts or components, installation and use of aftermarket accessories or storage fees. Any installation of a powerplant (motor electric or internal combustion) other than powerplants supplied directly by Rambo Bikes immediately voids this warranty. Some parts and components may from time to time become obsolete or discontinued. Rambo Bikes reserves the right to substitute any component at its sole discretion. This is the only warranty provided or honored by Rambo Bikes, and no other warranty will be honored unless specifically provided for by law. No implication of merchantability or fitness for a particular purpose has been made by Rambo Bikes.

General Rambo Bikes™ will not be held liable for any damages resulting from breach of warranty or for sums beyond the purchase price of the product. Rambo Bikes is not liable for lost profits or goodwill; downtime; damage or destruction of items or equipment used with, or in conjunction with Rambo Bikes™; personal injury or loss; or any other damages. This agreement is the entire agreement between you and Rambo Bikes™, and supersedes any prior agreements, representations, or proposals; and may be changed only by written agreement with Rambo Bikes™. Waiver by any party or breach of this agreement will not constitute a waiver of any subsequent default or breach of the same of different kind. The invalidity of any provision of this agreement shall not affect the validity of the other provisions hereof. This agreement shall be governed by laws of the State of IOWA, U.S.A. Rambo Bikes™; Centerville, IA 52544

***** PRODUCT REGISTRATION *****

Please complete this card and mail to Rambo or visit RamboBikes.com and submit registration online to activate your warranty.

Product _____ Model Number/Serial Number _____

Owner's Name _____ Purchase Date _____

Street Address _____

City _____ State _____ Zip Code _____

E-mail Address _____ Phone _____

Purchased From (Dealer Name) _____

How did you hear about us: ___ Catalog ___ Webpage ___ Friend ___ Magazine

Other, Please Explain _____

WWW.RAMBOBIKES.COM

RAMBO BIKES

TAKES YOU PLACES YOU'VE NEVER BEEN

Rambo Bikes

22844 230th Ave | Centerville, IA 52544

2nd Edition, April 2023, Published by Rambo Bikes, Centerville Iowa. All rights reserved.