

RAMBO

ELECTRIC BIKES

R250L-B LIL' WHIP



Scan the QR code for a video of step-by-step assembly



TAKES YOU PLACES YOU'VE NEVER BEEN

Rambo Bikes

22844 230th Ave

Centerville, IA 52544

First Edition, December 2022, Published by Rambo Bikes, Centerville Iowa. All rights reserved.

TABLE OF CONTENTS

INTRODUCTION.....	page 1
GENERAL WARNINGS.....	page 3
RULES FOR SAFE RIDING.....	page 5
GENERAL RIDING INFORMATION.....	page 8
INSPECTION BEFORE EVERY RIDE.....	page 9
IDENTIFYING BIKE PARTS.....	page 10
ASSEMBLY.....	page 11
MAINTENANCE AND CARE.....	page 16
BATTERY CHARGING AND STORAGE.....	page 17
OPERATING INSTRUCTIONS.....	page 20
STANDARD LIMITED WARRANTY.....	page 21

Contact Information

Email: cs@rambobikes.com

Phone: 952-283-0777

Website: rambobikes.com

Serial Number

This is a good time to record your serial number on your bike. The serial number is located in in two locations, one spot is a white sticker on the outside of the bike box. The second is on the bike headtube (below where the handlebar mounts on the frame).

GENERAL WARNINGS:

Should you have any questions about the assembly and/or use of this product, or any other Rambo Bikes product(s) do not hesitate to call one of our customer service representatives at 952-283-0777 or visit Rambo Bikes online at rambobikes.com. Our customer service representatives will answer any questions you may have about any of the complete line of Rambo Bike's products.

PLEASE MAKE SURE TO READ THE ENTIRE MANUAL AND UNDERSTAND ALL WARNINGS AND CAUTIONS BEFORE ALLOWING A CHILD TO OPERATE THIS BIKE

WARNING: ADULT OR PARENTAL SUPERVISION AND RESPONSIBILITY IS REQUIRED

WARNING: CHILDREN UNDER THE AGE OF 8 YEARS SHOULD NOT BE ALLOWED TO HANDLE OR USE THE BATTERY CHARGER

WARNING: MISUSE OR IMPROPER USE OR OPERATION OF THIS PRODUCT CAN LEAD TO LOSS OF CONTROL AND CAN POSSIBLY RESULT IN DEATH OR SERIOUS INJURY. THERE ARE POTENTIAL RISKS AND HAZARDS ASSOCIATED WITH RIDING A BIKE. CAUTION IS REQUIRED.

WARNING: THIS PRODUCT IS NOT DESIGNED FOR CHILDREN UNDER THE AGE OF 4 YEARS OR HEAVIER THAN 75 LBS

CAUTION: OBSERVE CONDITIONS AND MAINTAIN SAFE RIDING PRACTICES

WARNING: PRODUCT UNDER POWER AND MOVING PARTS

WARNING: BEWARE OF ELECTRICAL FIRE OR SHOCK

ALWAYS WEAR AN ASTM OR CPSC CERTIFIED HELMET AND PROTECTIVE ATTIRE INCLUDING SHOES.

KEEP THIS INSTRUCTION MANUAL IN A SAFE PLACE FOR FUTURE REFERENCE.

FAILURE TO READ AND STRICTLY COMPLY WITH THE INSTRUCTIONS CONTAINED IN THIS INSTRUCTION MANUAL MAY RESULT IN SERIOUS INJURY OR DEATH.

THE SAFE USE AND OPERATION OF THIS PRODUCT IS THE SOLE RESPONSIBILITY OF THE USER. IT IS ALSO THE SOLE RESPONSIBILITY OF THE OWNER TO PROVIDE ANY PERSON(S) WHO BORROW OR PURCHASE THIS PRODUCT WITH THESE INSTRUCTIONS. FAILURE TO FOLLOW THESE INSTRUCTIONS MAY RESULT IN SERIOUS INJURY OR DEATH! ADDITIONALLY, FAILURE TO FOLLOW THIS INSTRUCTION MAY SUBJECT YOU TO PERSONAL LIABILITY PENALTIES AS DETERMINED BY THE U.S. JUDICIAL SYSTEM.

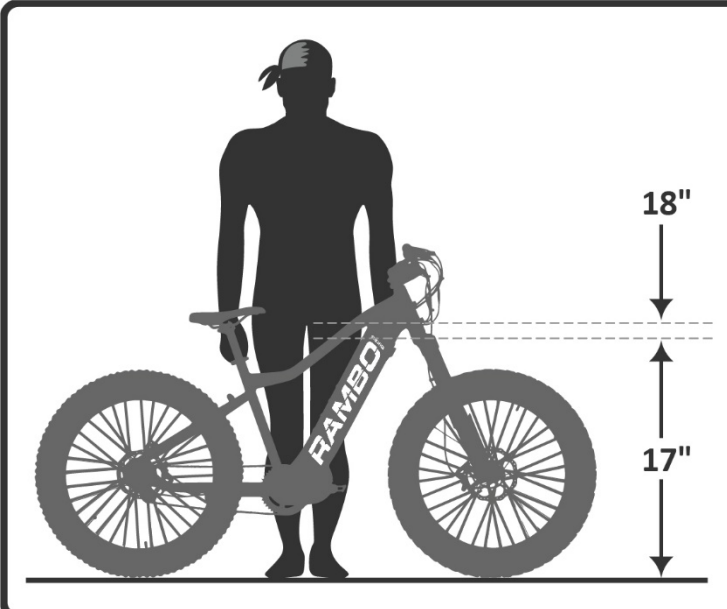
IT IS THE RESPONSIBILITY OF THE PARENT TO KNOW THE LOCAL LAWS AND REGULATIONS WHERE EBIKES ARE PERMITTED. CHECK WITH YOUR LOCAL LAW INFCORMENT IF YOU HAVE QUESTIONS.

Recommended Rider Size:

No rider under the age of 4 should be permitted to use the bike. It is up to the parents' discretion to know and understand if their child is able to ride the bike safely. While 4 is the minimum age, it is an estimate as kids grow differently and have different skill levels.

No Child should ride the bike if they cannot reach the ground while seated.

If the child is not comfortable on the bike, they should not attempt to ride the bike.



The diagram shows a silhouette of a person standing next to a bicycle. A horizontal dashed line indicates the top of the bicycle's frame. A vertical double-headed arrow to the right of the person shows a distance of 18 inches from the ground to the top of the frame. Another vertical double-headed arrow below that shows a distance of 17 inches from the ground to the top of the frame. The bicycle frame has the word 'RAMBO' written on it.

SIZE GUIDE:

When standing over the bike, there should be a minimum of 1.0" between your crotch and the top point of the tube with your feet flat on the ground.

18" is the minimum leg length for this model.

RULES FOR SAFE RIDING

You must ensure that you understand the safe operation of this bike and follow all traffic, bike laws and regulations in the area in which the bike is being operated. These may include rules regarding helmets, reflectors, and lights. A few important general rules for riding include but are not limited to:

- Wear a helmet that meets ASTM or CPSC safety testing requirements.
- Have reflectors and lights installed on your bike
- Use proper hand signals
- Avoid loose clothing
- Ride on the correct side of the road with flow of traffic
- Always wear brightly colored and reflective clothing
- Ride single file if riding with others
- Obey all traffic laws and regulations
- Watch for parked car doors opening unexpectedly
- Watch for pedestrians stepping out, pets and children playing near roadways
- Never carry a passenger
- Never ride with earbuds or headphones
- Always obey traffic signals
- Use caution when crossing railroad tracks and carefully cross at a 90 degree angle
- Mount a horn or bell on to your bike to signal others of your approach, before riding fast or in more difficult conditions, try riding at slower speeds in a flat, open area to test the function and performance features on your bike. Consult your local bike shop if you have specific needs on parts and functionality of your bike. Many areas offer cyclist courses or classes which can be found online or through your local bike shops.

Wet Weather Conditions

Use extra caution when riding in wet weather. Your brake stopping power will be diminished in wet conditions no matter what type of brake system you have; all are affected by wet weather. In order to ensure you can stop safely in wet conditions, ride more cautiously and slowly and brake earlier than you would in normal road and weather conditions. Never ride in storms with high winds and lightning.

Check the lights and reflectors

Make sure the reflectors are mounted in the proper position and they do not have any cracks or visible damage. All lighting should be inspected to be sure they have fresh batteries and working properly.

Check frame, fork, and components

If you notice that the frame or fork has any visible damage, cracks, dents, or you hear any unusual noises while riding or other problems, do not ride your bike. If at any time you notice a shimmy or wobble immediately slow down and take your bike to your local bike shop for inspection and/or repair. Carefully inspect your bike before and after each ride. Certain types of impacts can affect the components of your bike and cause them to fail unexpectedly. After any impact or crash, thoroughly inspect all the parts of your bike for damage. A crash or other impact can put extraordinary stress on the bike. An impact or high force is any situation such as hitting a hole or obstacle in the road, such as a bump or curb.

A BIKE IS A MECHANICAL DEVICE. MATERIALS AND MECHANISMS ARE SUBJECT TO FATIGUE AND STRESS. OVER TIME, COMPONENTS CAN FAIL ONCE THEY HAVE EXCEEDED THEIR USEFUL LIMITS AND LIFE. PRODUCT LIFE IS OFTEN RELATED TO THE KIND OF TREATMENT AND RIDING YOU SUBMIT YOUR BIKE TO. HARD AND AGGRESSIVE RIDING ALONG WITH NEGLECT WILL SHORTEN THE PROJECTED LIFESPAN OF YOUR BIKE AND ITS COMPONENTS. IF NOT PROPERLY MAINTAINED, YOUR BIKE AND ITS COMPONENTS CAN FAIL CAUSING SERIOUS INJURY OR DEATH.

Night Riding and Poor Visibility

Riding at dawn, dusk, during poor visibility or night riding is extremely dangerous. Your reflectors are not a substitute for required bike lights. Motorists and pedestrians may not be able to see a bicyclist during poor visibility conditions. Consult your local bike shop for night riding equipment if you choose to accept the risk of riding during these conditions.

RIDING A BICYCLE IN LOW LIGHT CONDITIONS WITHOUT PROPER LIGHTING AND REFLECTORS ATTACHED TO YOUR BIKE IMPAIRS YOUR ABILITY TO SEE AND BE SEEN BY OTHER MOTORIST OR PEDESTRIANS. THIS GREATLY INCREASES THE CHANCE YOU WILL BE INVOLVED IN AN ACCIDENT THAT COULD LEAD TO SERIOUS INJURY OR DEATH. USE A LIGHT ON THE FRONT AND REAR OF YOUR BIKE AND BE SURE ALL REFLECTORS ARE IN PLACE BEFORE RIDING IN LOW LIGHT CONDITIONS.

Unsafe Riding

While not all accidents can be avoided the list below outlines a few examples of things that can decrease your risk of serious injury or death.

- Pay attention and avoid distractions while riding
- Maintain both hands on the handlebars at all times
- Avoid bike stunts and/or aggressive riding
- When carrying gear make sure it is securely attached to your bike and/or rack
- Never strap or latch any item to your bike in an area not designed to carry gear
- Only carry gear on your racks and within the standard weight limits of the rack

- Do not ride while intoxicated or using medications which might make you drowsy
- Never carry a passenger while riding
- Avoid riding in mud if possible, mud may cause loss of traction resulting in loss of control of your bike

CERTAIN TYPES OF RIDING SIGNIFICANTLY INCREASE STRESSES AND ABNORMAL WEAR AND TEAR ON YOUR BIKE. THESE ARE JUST A FEW TYPES OF RIDING THAT CAN ADVERSELY AFFECT YOUR SAFETY AND LIFESPAN OF YOUR BICYCLE AND COMPONENTS, SUCH AS COMPETITION OR STUNT RIDING, DOWNHILL RACING/RIDING, JUMPING YOUR BIKE.

Avoid riding too fast

Higher speeds create higher risks and greater forces in the event of a crash. At higher speeds, it is more likely that wheels will slip, or that a small bump can create a significant impact to your frame or fork. Keep your bicycle under control at all times. For children, the limit of speed for safe riding is much lower, so parents should strictly enforce this rule.

Off-Road or Backcountry Riding

Always use special care when riding off-road or in remote areas. If you are unfamiliar with off-road riding start out on moderate terrain and slowly build your skills until you are confident you can ride on trails and unimproved roads. Remember, keep your bike under control at all times and never attempt an obstacle that is beyond your skill level. Riding at an increased speed in rough conditions greatly increase your risk of serious injury or death.

Special Considerations for Remote Areas

- While riding on rough terrain even if only a short distance, share your destination and route with another adult
- Never ride alone in remote areas
- Carry a signaling device such as a whistle, cell phone, or 2-way radio
- Take identification and emergency food and drink with you
- Wear appropriate clothing and safety gear for the type of riding you plan
- Carry a first aid kit

Respect local regulations and rules / Private Property

Remember each area in which you may ride your bike may have specific regulations. Always respect private property and never trespass. Respect the rights of others you may be sharing the trail with. ie: hikers, cyclists, equestrians. Stay on your designated trail and do not destroy vegetation and minimize your impact on the

environment. If you are unsure of your local laws or regulations, please contact your local conversation officer before riding on designated wildlife areas

A BIKE LIKE ANY MECHANICAL DEVICE IS SUBJECT TO FATIGUE, STRESS AND WEAR. OVER TIME AND DUE TO USE, THE FRAME AND ITS COMPONENTS CAN FAIL. THE ENVIRONMENT AND TYPE OF RIDING THE BIKE IS SUBJECT TO CAN GREATLY REDUCE ITS USEFUL LIFESPAN. IF PROPER CARE AND MAINTANCE ARE NOT PREFORMED YOUR BIKE AND/OR ITS COMPONENTS CAN FAIL CAUSING SERIOUS INJURY OR DEATH.

GENERAL RIDING INFORMATION

Once you have inspected your bike and all components are in proper working condition, you are ready to test ride your new bike. A few important general rules for riding include but are not limited to:

- Strap on your helmet that meets ASTM or CPSC safety testing requirements
- Have reflectors and lights installed on your bike
- Use proper hand signals
- Avoid loose clothing
- Ride on the correct side of the roadway with flow of traffic
- Always wear brightly colored and reflective clothing
- Ride single file if riding with others
- Obey all traffic laws and regulations and traffic signals
- Watch for parked car doors opening unexpectedly
- Watch for pedestrians stepping out, pets and children playing near roadways
- Keep a safe stopping distance between you and other vehicles
- Never carry a passenger
- Never ride with earbuds or headphones
- Use caution when crossing railroad tracks and carefully cross at a 90 degree angle
- Mount a horn or bell on to your bike to signal others of your approach.

Braking: Your bike is equipped with one hand brake. The hand brake operates the rear brake. Take time to familiarize yourself with the braking system.

When preparing to slow down or stop, gently apply both front and rear hand brakes at the same time being careful not to over apply the front brake which could cause you to lose control and fall. Before riding your bike for the first time please follow the "Brake Burn in Procedure" in your owner's packet. Replacement Pads and Rotors are available from Rambo Bikes. Always replace pads and rotors at the same time to ensure maximum performance and lifetime.

AVOID APPLYING SUDDEN OR EXCESSIVE FORCE TO THE FRONT BRAKE SYSEM. DOING THIS CAN CAUSE YOUR FRONT WHEEL TO LOCK UP AND YOUR REAR WHEEL COULD LIFT UP AND LOOSE CONTACT WITH THE GROUND. SLIDE YOUR WEIGHT BACK ON THE SEAT AND APPLY PRESSURE TO BOTH THE FRONT AND THE REAR BRAKES AT THE SAME TIME.

INSPECTION BEFORE EVERY RIDE

Before every ride, inspect the bike with the following check list. If any part of the bike fails the inspection, repair the bike by following the information provided in this manual or take the bike to your bike shop for service. Never ride a bike with a damaged part; have it replaced.

Tires and Wheels

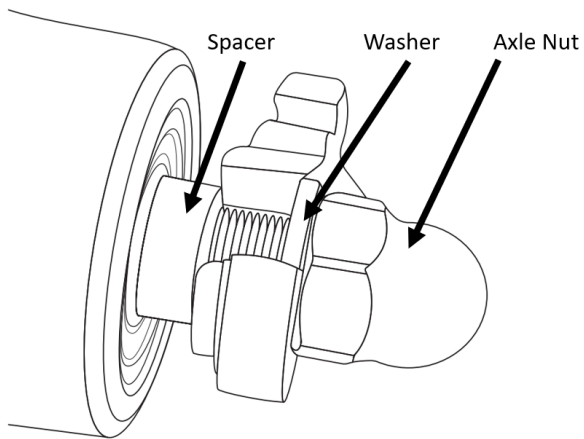
- Spin each wheel and check that the tires are in good shape with no cuts or abrasions. If these are found, replace the tire immediately.
- Inspect the rim for trueness by spinning it and watching for any side-to-side or up-and-down wobble. If any movement is noted do not ride this bike until the rim is repaired
- Check the tire inflation. Make sure to check tire pressures using a tire pressure gauge. The tires should be set between 20 psi and 35 psi

NEVER SET TIRE PRESSURE BELOW 20PSI OR ABOVE 35 PSI

A WHEEL ATTACHMENT DEVICE THAT IS NOT PROPERLY ADJUSTED AND CLOSED MAY ALLOW THE WHEEL TO BE LOOSE OR COME OFF UNEXPECTEDLY, CAUSING YOU TO LOSE CONTROL AND FALL. MAKE SURE THE WHEELS ARE PROPERLY ATTACHED BEFORE RIDING THE BIKE.

Wheel Retention System:

- Your bike comes with a bolt on style front axle, make sure front tire is centered on the fork. Once centered, secure wheel to the front fork with a washer and nut on each side.
- Check that the disc brake operates properly.
- Illustration below shows the correct tightening of the front wheel.



Brake Reach

Some bikes have adjustable brake levers. These can be adjusted to fit each individual rider's specific needs. For example, if you have a short reach you may need the levers adjusted closer to the handlebar. This adjustment or brake lever replacement should be done by a qualified bike technician or bike shop.

Handlebar stem and front wheel alignment

- Make sure the front wheel and handlebar stem are aligned in the proper orientation to each other.
- Turn the handlebar from side to side with the front wheel locked between your knees to test the stem connection of the fork. If any movement is noted do not ride the bike until this is corrected.
- Inspect cable routing to be sure the handlebars can turn freely without binding or pinching the cables. Check to be sure that your hand grips on the handlebars are in good condition and the bars are not protruding through the grip.

Seat Position

The saddle should be adjusted for proper fit and is an important factor in riding safely. Be sure that the rider is able to put both feet flat on the ground when seated. Ensure that the saddle is straight and level.

Seat and Seat Post

Check that the seat is securely mounted on the seat post by lifting up and down on the seat. This should not tilt or move. Next, check the security of the seat post in the frame by attempting to rotate the seat. If the seat rotates, then the seat tube is not properly clamped in to the frame.

Digital Version



ASSEMBLY

Tools Required

One (1) 16mm wrench

One (1) 4mm Allen wrench

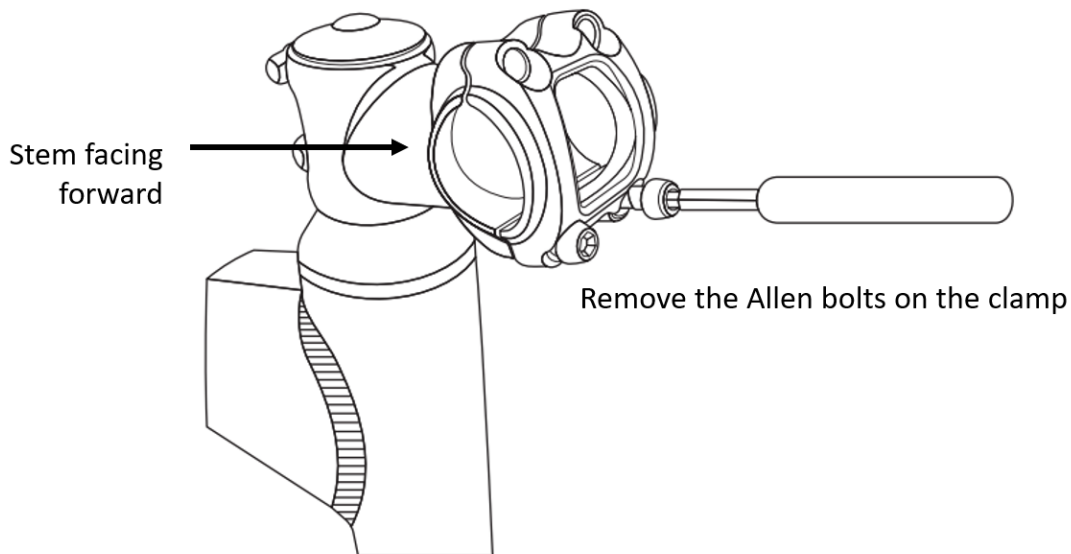
Side cutting pliers

Air Pump

BEFORE DOING ANY WORK ON YOUR BIKE ALWAYS BE SURE TO REMOVE THE BATTERY.

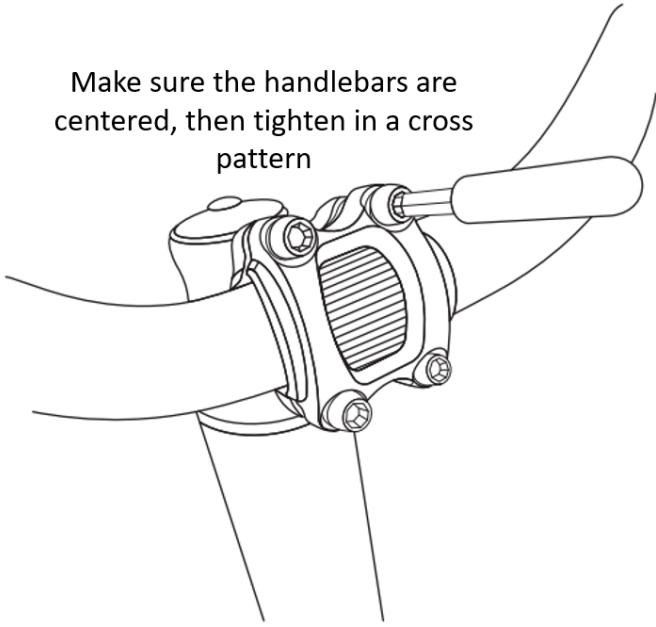
First remove the bike from the box and remove all protective packaging and zip ties using a side cutting pliers. BE SURE NOT TO CUT ANY ELECTRICAL WIRES OR BRAKE CABLES.

Once the packaging material is removed from the bike, remove the Allen bolts from the handlebar clamp using a 4mm Allen wrench. At this time be sure to turn the stem so it is facing forward. As shown below.



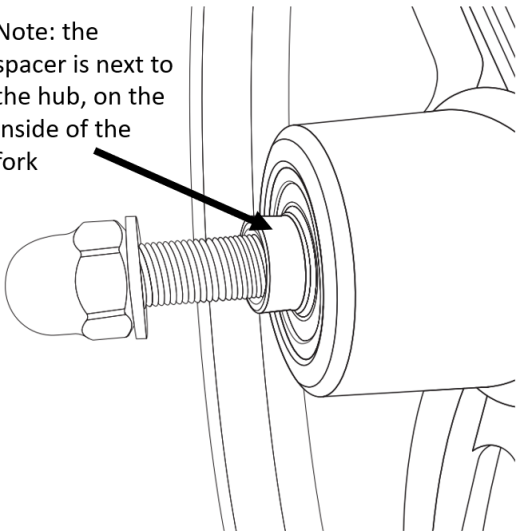
Next, install the handlebars to the stem using a 4mm Allen wrench. Be sure to tighten the Allen bolts in a cross pattern when tightening. Tighten to 45 IN-LBS or 5 NM (Make sure the stem is pointed forward) as shown below.

Make sure the handlebars are centered, then tighten in a cross pattern

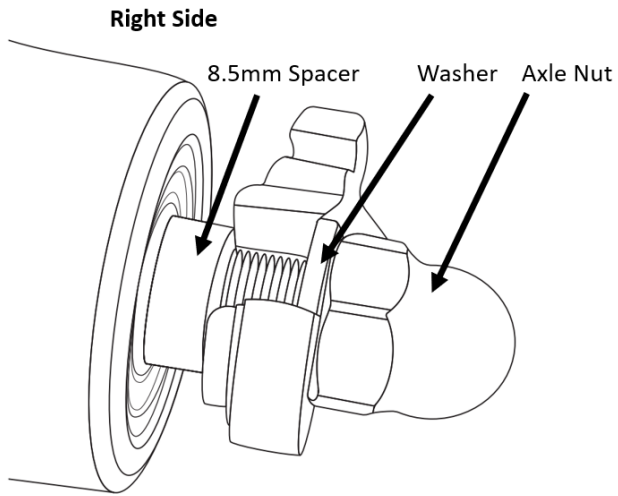


Then flip the bike upside down so that the bike is resting on the seat and the handlebars. Loosen the axle nuts from the axle, then put the wheel into the fork making sure wheel spacers are on the inside of the fork on both sides. As shown below.

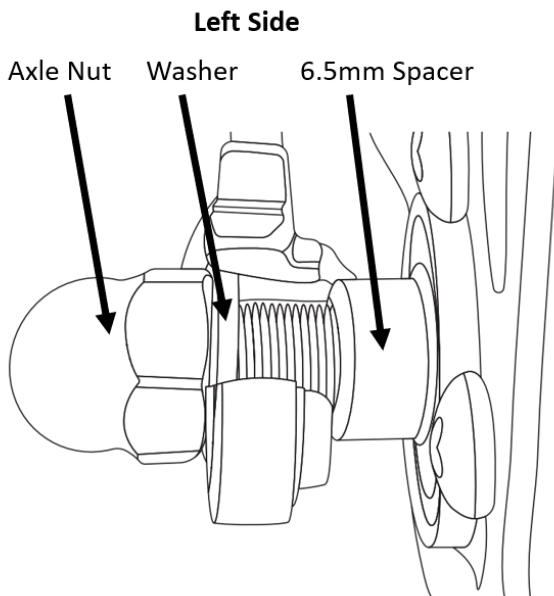
Note: the spacer is next to the hub, on the inside of the fork



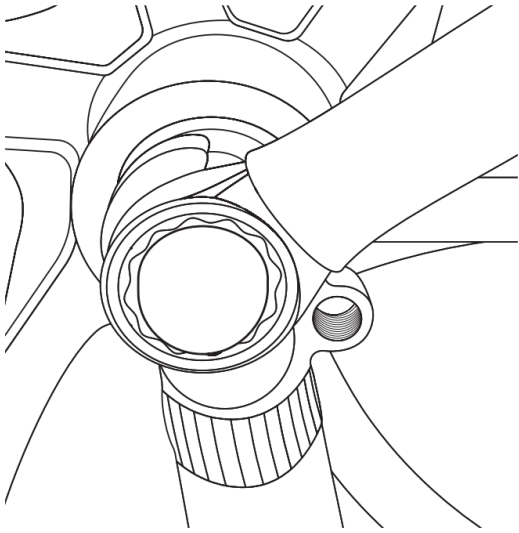
The Right side of the wheel will use the wider 8.5mm spacer between the hub and fork as shown below.



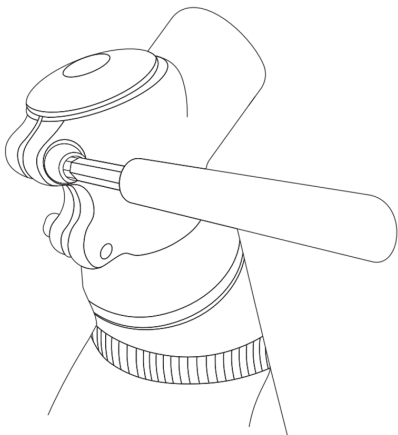
The Left side of the wheel will use the narrower 6.5mm spacer between the hub and the fork as shown below.



Then use a 16mm wrench to tighten the axle nuts firmly. As shown below.



Flip the bike over onto the wheels and be sure to check that the handlebars are aligned with the front tire. Then tighten both sides of the stem to the fork using a 4mm Allen wrench, tighten to 45 IN-LBS or 5 Nm.



Then Check the tires for proper air pressure, the minimum and maximum air pressure should be between 20psi-35psi.

Once the bike is assembled, fully charge the battery, and install the battery into the bike frame being sure to insert the key and turn clockwise to open the battery latching system. Installing and removing battery directions are on pg. 16

MAINTENANCE AND CARE

MOTOR AND CONTROLLER CAN BE VERY HOT, CAUSING BURNS AND SEVERE INJURY. BE SURE THESE COMPONENTS HAVE HAD TIME TO COOL BEFORE ATTEMPTING TO DO ANY MAINTENANCE.

BEFORE DOING ANY WORK ON YOUR BIKE ALWAYS BE SURE TO REMOVE THE BATTERY.

Service: Before every ride complete the bike inspection outlined in the section “Inspection before every ride”. If you identify any areas that need adjustment or service, take your bike to a qualified bike technician for repair and service.

Before and after every ride: Check wheels and tire inflation, Check handlebar and stem, Check brakes, Check seat and seat post, Check lights and reflectors, Check frame, fork, and components. Clean your bike and remove any grass or debris on your bike especially from your drivetrain system. Never clean your brake pads or rotor with any type of lubricant.

Monthly: Clean your bike thoroughly and remove any grass or debris on your bike especially from your drivetrain system. Squeeze and inspect brake for wear and proper working order. Check reflectors, lights, and seat/seat post for excess wear or damage. Check the frame, fork, handlebars, and stem for cracks and damage. Check each pedal to make sure they are not loose. Make sure there is no rust or kinks in the control cables or cable housing. Check your wheel rims for excessive wear and dents or for any loose or damaged spokes. Check your tires for tire inflation and excessive wear, cuts, or abrasions. Check each foot platform for damage.

Every 3 months: Check reflectors, lights, and seat/seat post for excess wear or damage. Check the frame, fork, handlebars, and stem for cracks and damage. Lubricate handlebar stem and seatpost. Check each foot platform for damage. Make sure there is no rust or kinks in the control cables or brake housing. Check your wheel rims for excessive wear and dents and for loose or damaged spokes. Check your tires for tire inflation and excessive wear, cuts, or abrasions. Check crankset and bottom bracket. Inspect and lubricate brake levers. Lubricate bottom bracket bearings, wheel bearings.

If you are uncomfortable with any service or general maintenance to your bike, please visit your local bike shop for service and maintenance.

Take your bike to your local bike shop for inspection after 30 days or if you think something is wrong with your bike take it in immediately.

Your bike and components are subject to wear and fatigue. If a component’s life cycle is exceeded, it can suddenly fail which may cause serious injury or death.

Take your bike to your local bike shop for repair and service if you notice any of the following or any other wear and fatigue

IF ANY SIGNS OF WEAR, DAMAGE OR FATIGUE, DO NOT RIDE YOUR BIKE. TAKE YOUR BIKE IMMEDIATELY TO A LOCAL BIKE SHOP FOR REAIR AND SERVICE!

Replacement parts can be purchased by contacting Rambo bikes at: rambobikes.com

A list of Certified Repair Centers can also be found at: rambobikes.com/dealer-locator

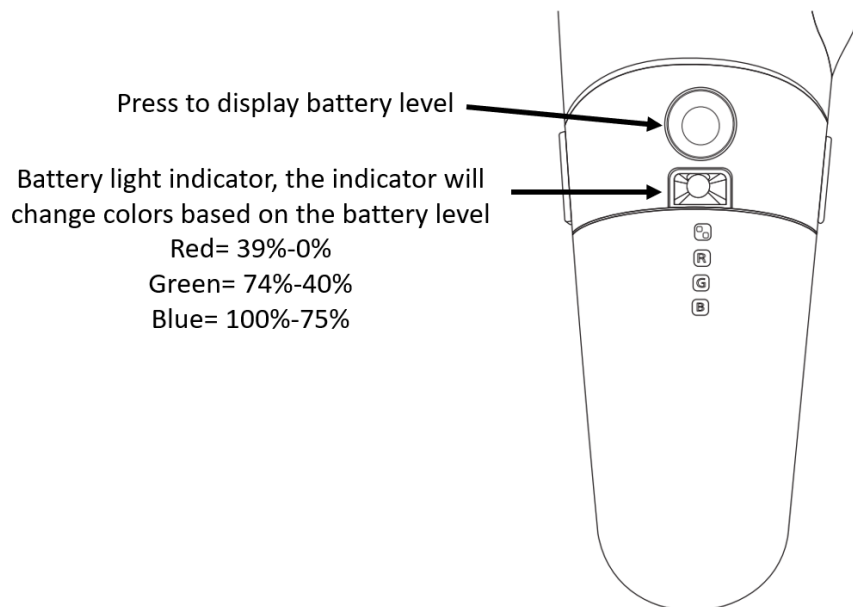
BATTERY INSTALLATION/REMOVAL

CHARGING/STORAGE

WARNING: NO CHILD UNDER THE AGE OF 8 YEARS OLD SHOULD ATTEMPT TO CHARGE THE BATTERY ON THEIR OWN.

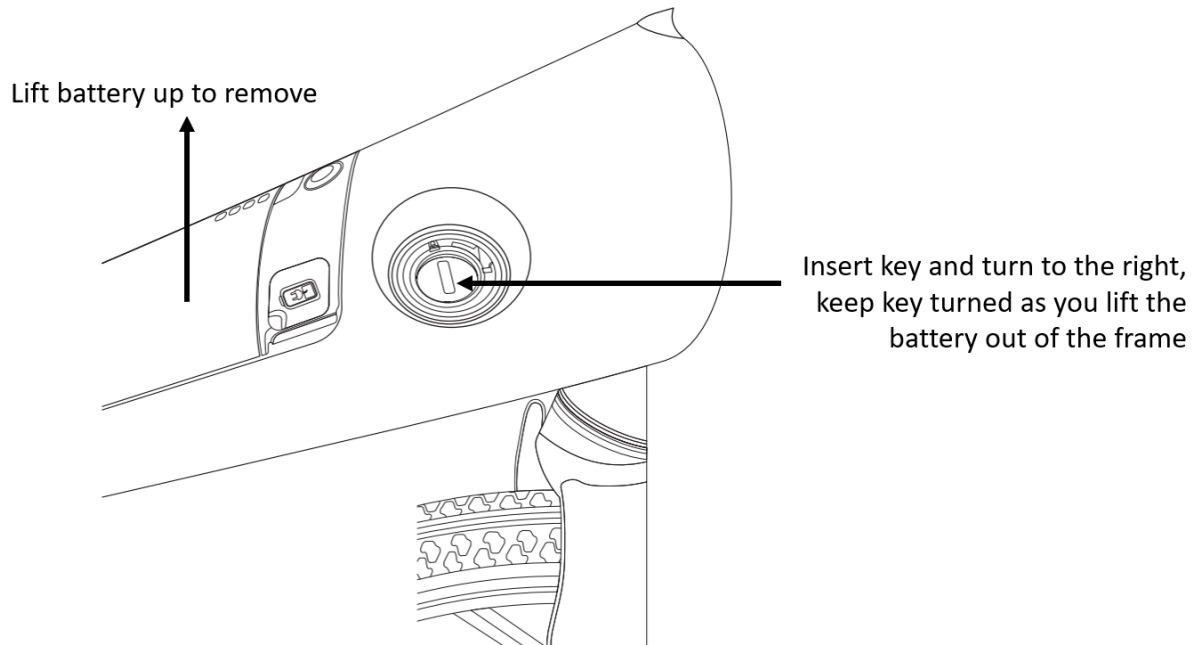
WARNING: DO NOT SHORT CIRCUIT, DO NOT CRUSH, DO NOT HEAT OR INCINERATE, DO NOT IMMERSE IN ANY LIQUID, DO NOT DISASSEMBLE.

Checking Battery Level:



Installing/Removing Battery:

Insert the key into the keyhole, then turn the key clockwise as indicated on the keyhole, this will unlock the battery latch and allow you to lift the battery in/out of the frame. (the process is the same whether you are installing the battery or removing)



Charging:

Do not charge the battery at temperatures below freezing and above 113 Fahrenheit (45 Celsius)

ONLY USE CHARGER THAT IS SUPPLIED WITH THE BIKE TO CHARGE THE BATTERY, DO NOT USE ANY OTHER CHARGER.

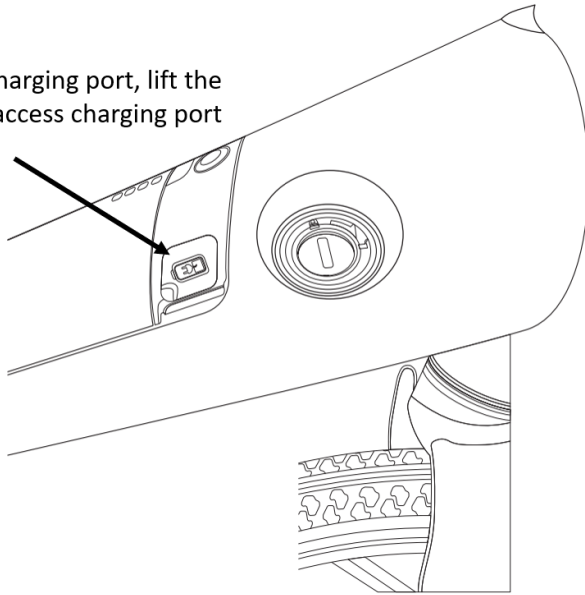
WARNING: DO NOT CHARGE BATTERY FOR LONGER THAN 12 HOURS

WARNING: ALWAYS CHARGE IN A DRY AREA

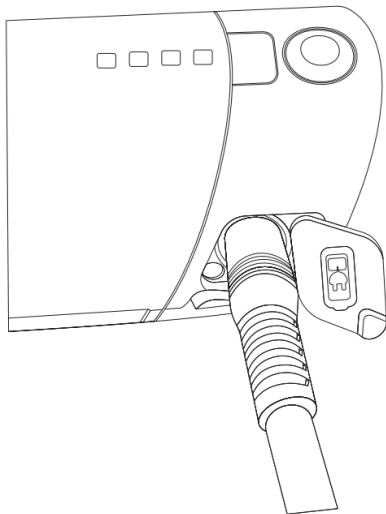
The battery can be charged while on the bike, make sure to turn the bike off before charging the battery and/or removing the battery.

Never charge the battery for more than 6 hours.

Battery charging port, lift the rubber plug to access charging port

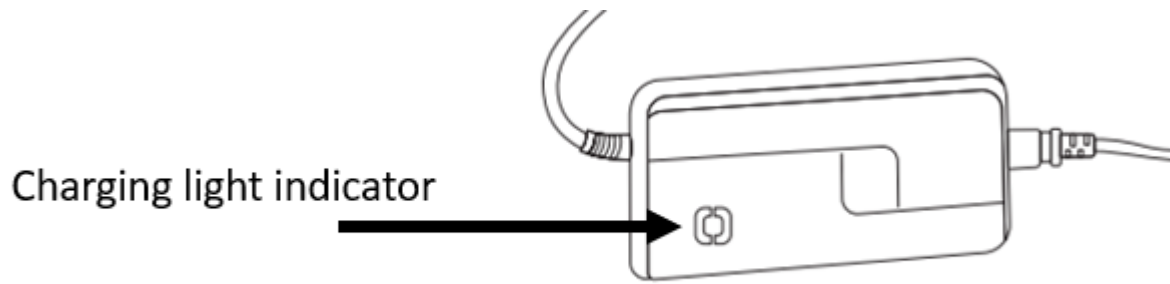


Install the charging plug into the battery charging port, as shown below.



When charging the charger will display red, and once fully charged the charger will turn green.

Charging will take approximately 4hrs depending on the battery level.



Storage:

Always store the battery in a dry place with temperature above freezing and below 113 degrees Fahrenheit (45 Celsius)

It is best practice to store the battery with a charge above 50%

To extend the life of your battery it is best to discharge and charge every 3 months.

OPERATING INSTRUCTIONS

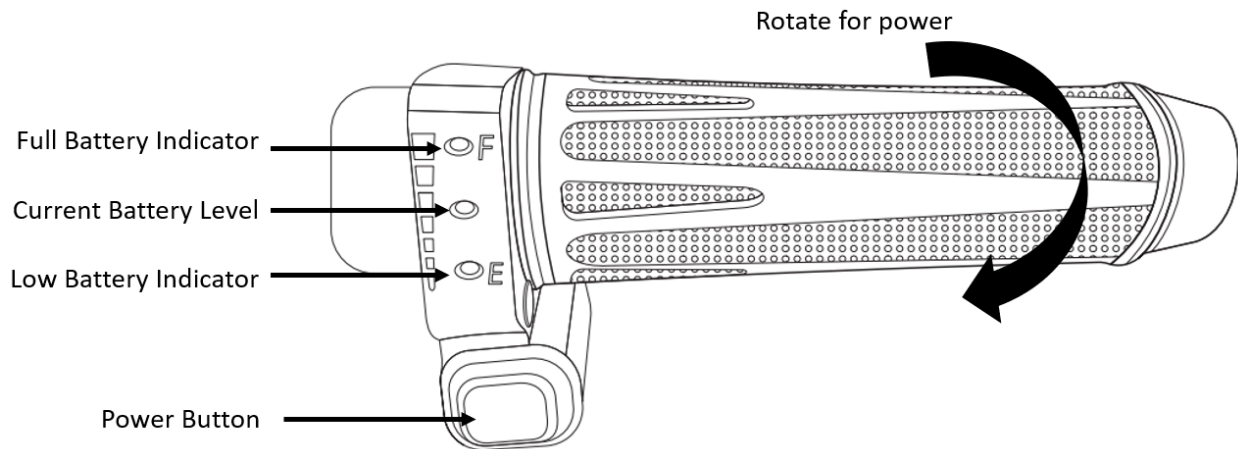
Before operating be sure rider is capable of keeping balance by testing the bike without using the motor to ensure the rider is capable.

Be sure the seat height is set properly; the rider should be able to put both feet on the ground while fully seated. The seat post has a minimum insertion point, be sure not to extend the seat beyond this line.

When using for the first time, be sure to practice in a safe environment with no obstacles or hazards.

ALWAYS WEAR AN ASTM OR CPSC CERTIFIED HELMET AND PROTECTIVE ATTIRE INCLUDING SHOES.

THROTTLE OPERATION



First, press the power button to turn on the bikes electrical system, the battery indicator will light up showing the bike is now powered on.

The left side of the grip displays the power level, the center light (current battery level) will move up/down depending on the battery's power level.

Twist the grip downwards to engage the motor, twisting the grip further will produce more motor power. Twisting the grip less will produce less motor power.

This bike is also equipped with pedal assist. This means that when you are pedaling the bike there is a sensor that senses the bike is being pedaled and will offer motor assistance to the rider. When the rider stops pedaling the motor assistance will stop.

Any time the brakes are applied there is an electrical motor cutoff, this insures that not only are the brakes slowing the bike down, but the motor is disengaged and cannot power the bike until the brakes are disengaged.

STANDARD LIMITED WARRANTY

Bicycle Lifespan. Rambo Bikes™ have an expected lifespan depending on the level of care and/or use. Misuse, neglect and abuse will significantly reduce the expected lifespan of your bike. Some types of riding styles - competition, jumping,

downhill racing, and extreme conditions or climates - will all impact the lifespan of your bike and its components. These types of riding may cause premature failure of your bike and its components. This warranty does not extend to any failures associated with this type of riding, or to any Rambo products that have been subject to misuse, neglect, abuse, or improper storage, or if the product is modified or altered in any way other than as directed by official Rambo Bike instructions. Always have your bike periodically inspected by a qualified bicycle technician. These inspections are crucial for the safety of you and others around you as well as extending the lifespan of your Rambo.

Limited Lifetime Frame Warranty Rambo bike frames are warranted against factory defects for the lifetime of the original purchaser as long as they remain the owner of the Rambo bike. This warranty is non-transferable. Your Rambo frame is warranted against premature failure caused by faulty workmanship or materials, as determined by Rambo Bikes. Frames must be returned to Rambo Bikes at the owner's expense for determination of defect and/or replacement. If a frame replacement is found to be warranted by Rambo Bikes, a comparable frame (depending on availability) will be issued to the original purchaser. Front forks and suspension forks do not have a lifetime warranty!

Warranty Beyond the lifetime frame warranty, Rambo Bikes warrants all bikes, enclosed hardware (where applicable) and accessories to be free from defects in material and workmanship for a period of twelve months from the original date of purchase. Some components on your Rambo bike such as brakes, tires, tubes, chains, grips, motors and cables are not warranted against normal wear. If you find a product to be defective, contact Rambo at 952-283-0777. All components must be returned at the owner's expense for inspection. Product repairs and/or updates not covered by warranty will be provided at a set rate. At its sole discretion, Rambo will determine whether the component will be covered under this warranty. This warranty is in lieu of all other warranties expressed or implied. You may have certain legal rights that extend beyond this warranty in certain states. Terms and Conditions of this Limited Warranty This limited warranty does not cover installation, disassembly, adjustments of components, normal wear and tear, damage caused by improperly installed parts or components, installation and use of aftermarket accessories or storage fees. Any installation of a powerplant (motor electric or internal combustion) other than powerplants supplies directly by Rambo Bikes immediately voids this warranty. Some parts and components may from time to time become obsolete or discontinued. Rambo Bikes reserves the right to substitute any component at its sole discretion. This is the only warranty provided or honored by Rambo Bikes, and no other warranty will be honored unless specifically provided for by law. No implication of merchantability or fitness for a particular purpose has been made by Rambo Bikes.

General Rambo Bikes™ will not be held liable for any damages resulting from breach of warranty or for sums beyond the purchase price of the product. Rambo Bikes is not liable for lost profits or goodwill; downtime; damage or destruction of items or equipment used with, or in conjunction with Rambo Bikes™; personal injury or loss; or any other damages. This agreement is the entire agreement between you and Rambo Bikes™, and supersedes any prior agreements, representations, or proposals; and may be changed only by written agreement with Rambo Bikes™. Waiver by any party or breach of this agreement will not constitute a waiver of any subsequent default or breach of the same of different kind. The invalidity of any provision of this agreement shall not affect the validity of the other provisions hereof. This agreement shall be governed by laws of the State of IOWA, U.S.A. Rambo Bikes™; Centerville, IA 52544

***** PRODUCT REGISTRATION ***** Please complete this card and mail to

Rambo or visit RamboBikes.com and submit registration online to activate your warranty. Product

_____ Model Number/Serial Number _____ Owner's Name

_____ Purchase Date _____ Street Address

_____ City

_____ State _____ Zip Code _____ E-mail Address

_____ Phone _____ Purchased From

(Dealer Name) _____ How did you hear about

us: ___ Catalog ___ Webpage ___ Friend ___ Magazine Other, Please Explain

_____ WWW.RAMBOBIKES.COM

