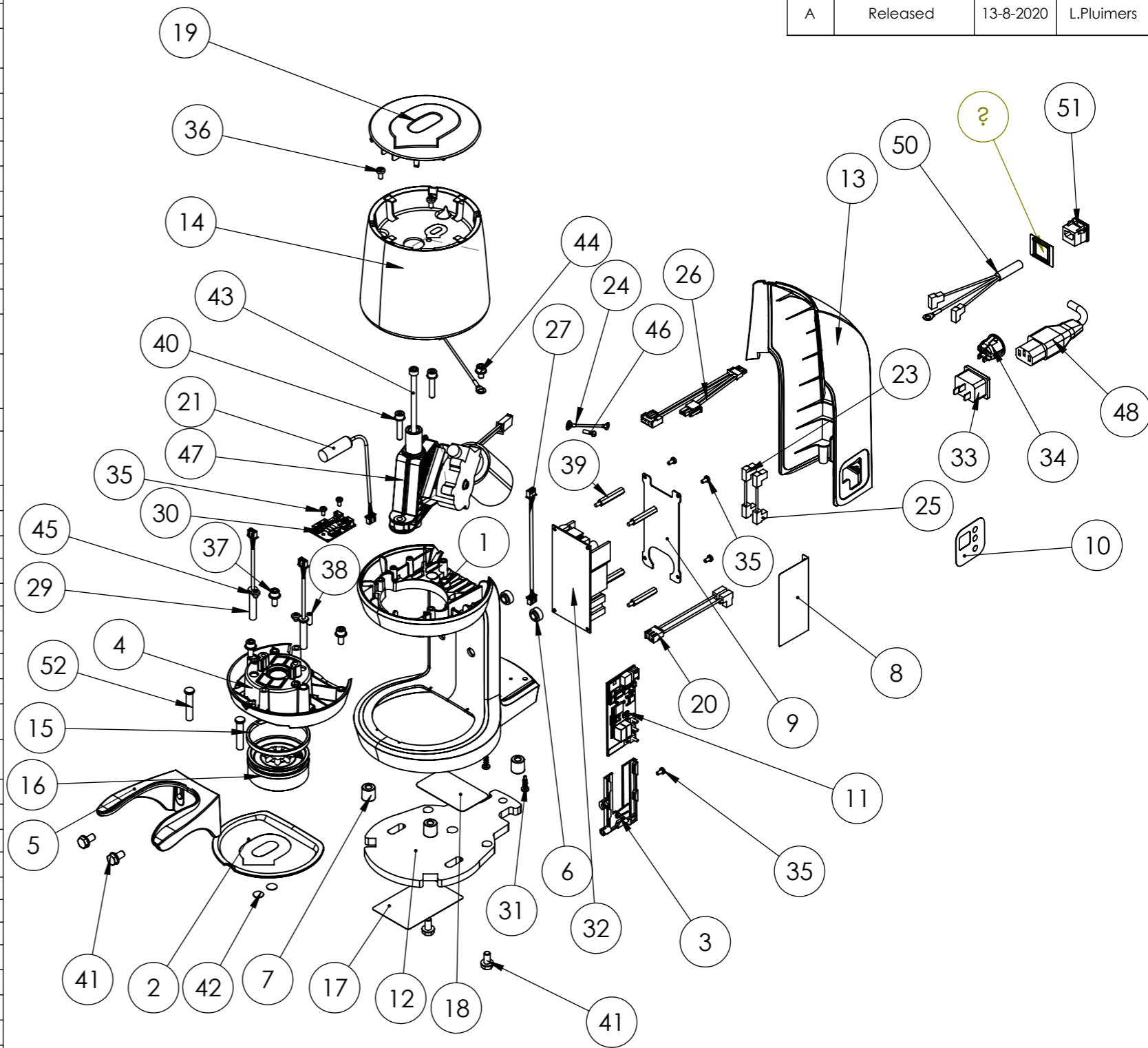


ITEM NO.	PART NUMBER	DESCRIPTION	QTY.
1	1-210-0014-2	Main body - Q1 - Black. Main body Q1 white = part 1-210-0013-2	1
2	1-210-0030-2	Coffee ground basket - Q1 - black	1
3	1-210-0026-3	Motor controller - support frame	1
4	1-210-0007-6	Upper clamp - 71mm - Q1/Q2 for tamper base range 56-59mm. For range 53-55 Upper clamp 66mm - Q1/Q2 is required = part 1-210-0012-4	1
5	1-210-0307-1	Lower clamp - Q1 - matt chromium	1
6	1-110-0025-1	Rivet bushes crimp nut	2
7	1-210-0035-2	Rubber foot Q-line, NBR	4
8	1-210-0044-1	Shielding foil	1
9	1-210-0036-2	Shielding plate AC/DC converter	1
10	1-210-0059-1	Display sticker - Q1	1
11	1-210-0101-1	Motor controller - Q1/Mini	1
12	1-210-0040-4	Counter weight Q1/Q2	1
13	1-210-0174-3	Main housing - back cover - Q1 - Black. White back cover Q1 = part 1-210-0304-1	1
14	1-210-0175-2	Main housing - middle cover - Q1 - Black. White middle cover Q1 = part 1-210-0305-1	1
15	1-210-0047-1	Wear ring 61x2.5mm, for tamper base 56-59mm. For tamper base 53-55mm wear ring 57x2.5mm is required = part 1-210-0048-1	1
16	1-210-0105-4	Tamper base Q2 - 58.3mm + non-stick finishing (stainless steel), tamper base Q2 - 58.0mm = part 1-210-0106-3, 57.3mm = part 1-210-0109-2, 54.3mm = part 1-210-0081-2, 53.0mm = part 1-210-0108-2	1
17	1-210-0064-1	Product information label	1
18	1-210-0323-1	Sticker tamp setting Q1-M4, sticker with tamp setting P0-P2: P0 = speedy tamp P1 = precise (slow) P2 = single tamp	1
19	1-210-0176-2	Main housing - top cover - Q1 - Black. White top cover = part 1-210-0303-1	1
20	1-410-0001-3	Input cable converter	1
21	1-410-0022-1	Induction sensor + connector	1
22	1-410-0005-2	Grounding cable	1
23	1-410-0008-2	On/off switch cable, brown	1
24	1-410-0009-3	Earthing cable DC motor	1
25	1-410-0006-2	On/off switch cable, brown	1
26	1-410-0012-3	Motor cable and input cable controller board	1
27	1-410-0026-1	Cable to sensor connection board + connectors (only for portafilter levelling system)	1
28	1-410-0025-1	Induction sensor 6.5mm + connector (long cable, (only for portafilter levelling system)	1
29	1-410-0024-1	Induction sensor 6.5mm + connector (short cable, (only for portafilter levelling system)	1
30	1-410-0023-1	Sensor controller board (only for portafilter levelling system)	1
31	1-110-0031-1	PT screw for plastic, 4x12mm	2
32	1-110-0001-1	AC/DC converter	1
33	1-110-0015-1	C13 power entry socket	1
34	1-110-0014-1	On/off switch	1
35	1-110-0022-2	Cross head screw M3x8	7
36	1-110-0029-2	Cross recessed raised cheese head screw M4x10	3
37	1-110-0088-1	Hexagon head cap screw M5x12 + washer (SEM)	3
38	1-110-0037-1	Hexagon socket set screw M5x12	1
39	1-110-0089-1	M3x30 spacer	4
40	1-110-0020-1	Hexagon head cap screw M5x25 (SEM)	2
41	1-110-0098-1	Hexagon head cap screw M6x14 + washer (SEM)	4
42	1-110-0023-1	Magnet 10x0.6mm, neodymium	2
43	1-110-0075-1	Hexagon head cap screw M5x100, locking bolt for tamper base	1
44	1-110-0143-1	Hexagon head cap screw M5x8 + tooth lock washer (SEM)	1
45	1-110-0133-1	Cross head screw m4x4, Zinc plated	2
46	1-110-0073-2	Metal screw 2.9x12, Zinc plated	1
47	1-310-0001-2	Drive unit Q1 (GEN 5)	1
48	1-110-0016-1	Power cable - EU plug. Part 1-110-0018-1 = AUS plug, 1-110-0007-1 = Japan plug, 1-110-0017-1 = UK plug, 1-110-0011-1 = USA plug	1
49	1-210-0032-1	Cable fixation support, for hard-wired only	1
50	1-410-0007-4	Power cable KOREA + connectors, hard-wired. Australian hard-wired = part 1-410-0027-1	1
51	1-110-0021-1	Cable fixation clamp, for hard-wired version only	1
52	1-210-0098-1	Dummy sensor - 6.5mm, POM. For units without extra portafilter sensors.	2



REVISIONS			
REV.	DESCRIPTION	DATE	APPROVED
A	Released	13-8-2020	L.Pluimers

Geometric dimensioning and tolerancing according to NEN-ISO1101 and NEN-ISO 2768-1	FINISH:	DO NOT SCALE DRAWING	DEBUR AND BREAK SHARP EDGES
Barista Technology B.V. Kotterstraat 14 3133 KW Vlaardingen The Netherlands		Part name: <b>PUQPRESS Q1 (GEN 5)</b>	
MATERIAL:	Part number: All model variants		A3
WEIGHT: g	Doc: 110-1	Page: 1 of 1	