

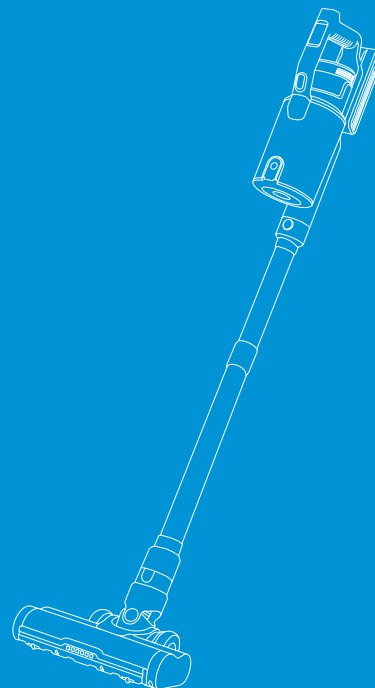
# CORDLESS VACUUM CLEANER

## USER MANUAL

---

Elite S6

Laresar



## LANGUAGE

English ..... 02-23

日语 ..... 24-45

# CONTENTS

<b>1.IMPORTANT SAFETY WARNING</b>	<b>4</b>
1.1 Precautions When Using	-4
1.2 Notes on the Battery Pack	-5
1.3 Notes on Charging	-6
1.4 Storage and Maintenance Precautions	-7
<b>2.PACKAGE CONTENT</b>	<b>9</b>
<b>3.OVERVIEW</b>	<b>11</b>
3.1 Overview	-11
3.2 Animated Screen Indicators	-12
<b>4.ASSEMBLING &amp; USE</b>	<b>13</b>
4.1 Product Assembling and Use	-13
4.2 How to Use	-14
4.3 Abnormal Indicator	-15
<b>5.CHARGING METHODS</b>	<b>16</b>

5.1 Charging Methods	-16
5.2 Wall Mount	-17
<b>6.MAINTENANCE</b>	<b>18</b>
6.1 Main Body Cleaning	-18
6.2 Empty the Dust Cup	-18
6.3 Clean the Filter	-19
6.4 Brush Roller Cleaning	-20
<b>7.SPECIFICATION</b>	<b>20</b>
<b>8.TROUBLESHOOTING</b>	<b>21</b>
<b>9.WARRANTY</b>	<b>22</b>

# 1.IMPORTANT SAFETY WARNING

**⚠ATTENTION:** Before using this machine, please read all instructions in the manual and cautionary markings on the machine carefully.

## 1.1 Precautions When Using

01. This Laesar machine is not intended for use by persons (including children) with reduced physical, sensory or reasoning capabilities, or lack of experience and knowledge, unless they have been given supervision or instruction concerning use of the machine by a person responsible for their safety.
02. Use only as described in this Laesar User Manual. If the machine is not working as it should, if it has received a sharp blow, if it has been dropped, damaged, left outdoors, or dropped into water, do not use and contact the Laesar Support Team.
03. Suitable for dry locations ONLY. Do not install, charge or use this machine outdoors, in a bathroom or within 10 feet (3 meters) of a pool. Do not use on wet surfaces and do not expose to moisture, rain or snow.
04. When using this machine, please keep hair, loose clothing, fingers, and all parts of the body away from openings and moving parts. Do not point the hose, aluminium alloy tube or other accessories at your eyes or ears or put them in your mouth.
05. Do not use to pick up hard objects, such as glass slag, needles, nails, etc.
06. Do not touch the charger with wet hands to avoid electric shock.
07. Use only Laesar recommended accessories and replacement parts.
08. Do not use without the dust cup and filter(s) in place.

09. When removing or replacing a motorized brush bar, be careful not to pull the power button until the cleaner head has been reassembled.

10. Do not water or spill liquid onto the vacuum cleaner. If that happens, it will increase the risk of electric shock.

11. Use extra care when cleaning on stairs.

12. Please do not use the vacuum cleaner to suck the detergent, kerosene, soot, wet dust, water, sewage, matches and other items.

13. Please do not use a vacuum cleaner to suck up small particles such as cement, gypsum powder, wall powder, or large objects such as toy paper balls, otherwise it will cause the vacuum cleaner to block and the motor to burn out.

## 1.2 Notes on the Battery Pack

01. Do not throw the battery pack away, and it should be safely disposed in accordance with local regulations.

02. Do not use a battery pack or machine that is damaged or modified. Damaged or modified batteries may exhibit unpredictable behavior resulting in fire, explosion or risk of injury.

03. Do not incinerate batteries or expose to high temperatures, as they may explode.

04. The battery is a sealed unit and under normal circumstances poses no safety concerns. In the unlikely event that liquid leaks from the battery, do not touch the liquid as it may cause irritation or burns, and observe the following precautions:

Skin contact – can cause irritation. Wash with soap and water.

Inhalation – can cause respiratory irritation. Expose to fresh air and seek medical advice.

Eye contact – can cause irritation. Immediately flush eyes thoroughly with water for at least 15 minutes. Seek medical attention.

Disposal – wear gloves to handle the battery and dispose of immediately, following local ordinances or regulations.

05. When the battery pack is not in use, keep it away from paper clips, coins, keys, nails, screws or other small metal objects that could make a connection from one terminal to another.

### 1.3 Notes on Charging

01. Before use, check the charger cord for signs of damage or ageing. A damaged or entangled charger cord increases the risk of fire and electric shock.

02. Never modify the charger in any way.

03. The charger has been designed for a specific voltage. Always check that the mains voltage is the same as that stated on the rating plate

04. Unplug the charger when not in use for extended periods.

05. When your vacuum cleaner is fully charged, needs to be cleaned or repaired, please unplug the charger in time and do not pull the power cord directly.

06. Do not pull the cord to disconnect from a socket, grasp the plug and pull to disconnect.

07. Don't wrap the cord around the charger when storing.

08. Please fully recharge the battery, when first used or used after long time storage. If the product is not used for long time, please make sure the battery is recharged and used each three months at least.

09. If smoke or fire occurs during charging, unplug the charger immediately, and use a fire extinguisher to put out the fire. Do not use water to extinguish the fire, it will increase the risk of electric shock.

10. Follow all charging instructions and do not charge the battery pack or the machine outside of the temperature range specified in the instructions. Charging improperly or at a temperature outside of the specified range may

damage the battery and increase the risk of fire. To ensure maximum battery life, Laesar recommends the following:

When not in use the machine should be stored at room temperature. Recommended range: 64°F (18°C) to 82°F (28°C).

The ambient temperature range for operation and charging should be 50°F (8°C) to 86°F (35°C).

### 1.4 Storage and Maintenance Precautions

01. Please store the product under cool and dry environment. Please avoid long-time sunshine on the product.

02. The charger must be removed from the socket before removing the battery, cleaning or maintaining the appliance.

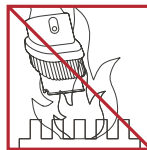
03. Please use dry cloth to clean the vacuum cleaner. Please do not use gas or liquid that can make the surface cracked or color faded.

04. Do not apply any fragrance or scented product to the filter(s) of this machine. The chemicals in such products are known to be flammable and can cause the machine to catch fire.

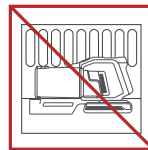
05. Do not carry out any maintenance other than that shown in this manual, or advised by the Laesar Support Team.

06. Do not disassemble the machine as incorrect reassembly may result in an electric shock or fire. Contact the Laesar Support Team when a service or repair is required.

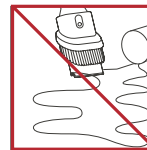
## SAVE THESE INSTRUCTIONS



Do not use near open flames.



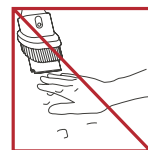
Do not store near heat sources.



Do not pick up water or liquids.



Do not pick up burning objects.



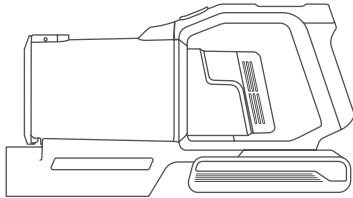

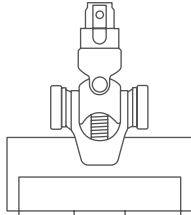
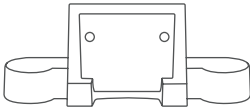
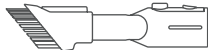

Do not put hands near the brush bar when the machine is in use.


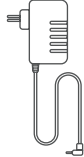
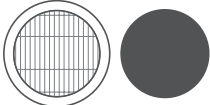





Do not place on or near the cooker.

## 2.PACKAGE CONTENT

Please check and confirm the accessories and parts according to the following sheet before using.

Main Body	Retractable Tube	Motorized Brush Head
		
Wall Mount (Screw*2, Expansion Nails*2)	2 in 1 Upholstery Brush	Long Crevice Nozzle
		

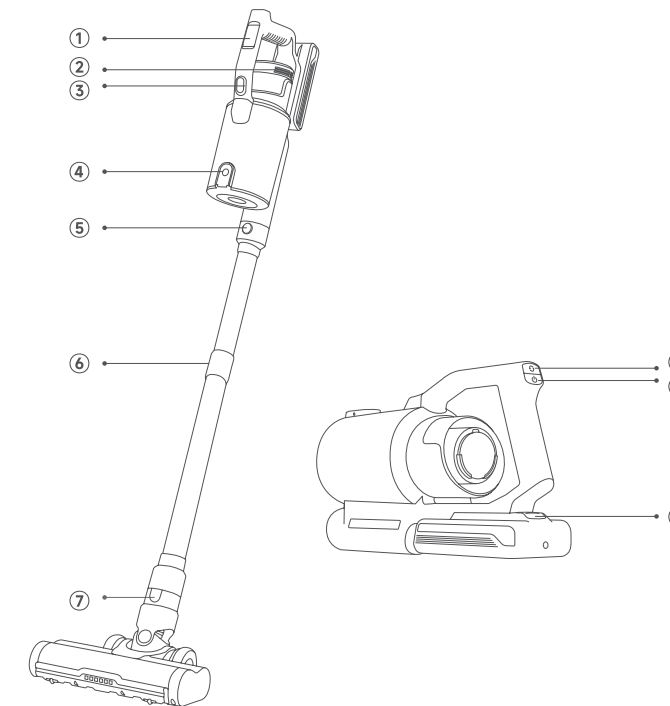
Battery Pack	Charger	Filtre HEPA & Sponge
		
Mini Cleaning Brush	User Manual	Fragrance Card
		

## 3.OVERVIEW

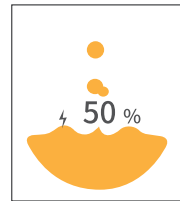
### 3.1 Overview

Introduction of components:

01. Animated Display
02. Fragrance Purification
03. Dust Tank Release Button
04. Dust Release Button
05. Main Body Removal Button
06. Telescopic Rod Adjustment
07. Electric Floor Brush Removal Button
08. Speed Control Button
09. Switch Button
10. Battery Removal Button



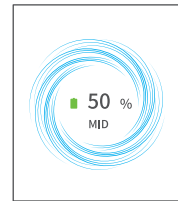
### 3.2 Animated Screen Indicators



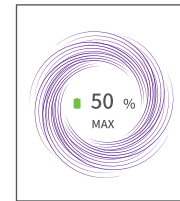
Charging Indication



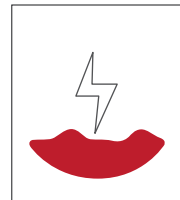
Suction - Low



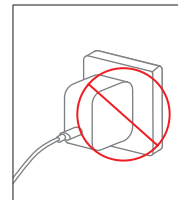
Suction - Mid



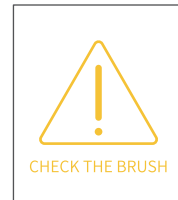
Suction - High



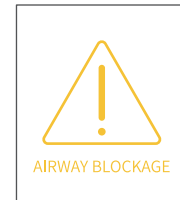
Low Battery Reminder



Roller Stall



Airway Blockage

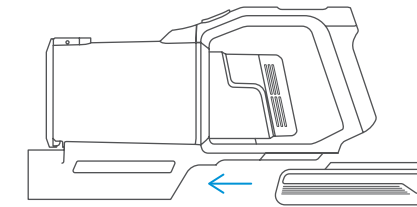


Wrong Adapter

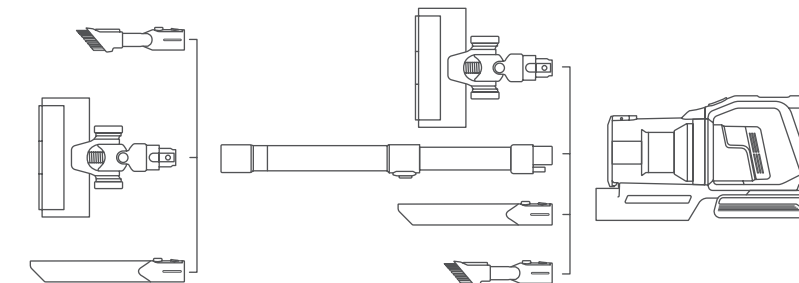
## 4.ASSEMBLING & USE

### 4.1 Product Assembling and Use

#### 4.1.1 Install the Battery Pack



#### 4.1.2 Install Cleaning Accessory





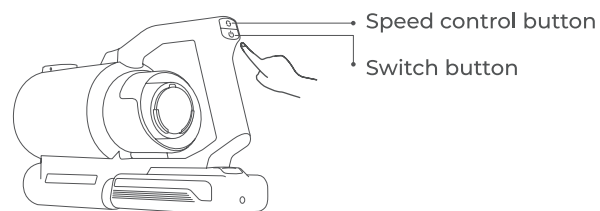
## 4.2 How to Use



### Before use, make sure that

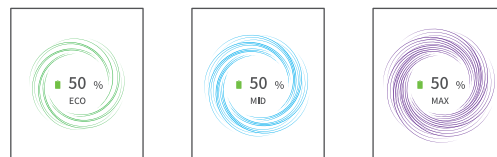
- The battery is fully charged, and fixed in place.
- The dust cup and filters are cleaned, dried, and fixed in place.

### 4.2.1 Start to Work



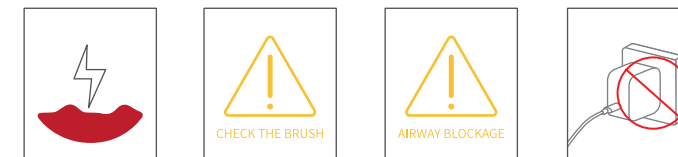
Press the switch button, the appliance will start to work. Press the button again to shut down the appliance.

### 4.2.2 Select Cleaning Mode



- Long press the switch button to power on/off
- Start from the suction level at the last shutdown
- Press the speed control button to change the speed
- Animation screen display meaning: purple is high speed, blue is medium speed, green is low speed

## 4.3 Abnormal Indicator

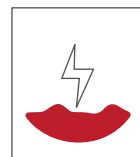


- When the battery is low, the screen flashes red animation to remind you that it needs to be charged.
- When the ground brush is blocked, the screen will play a blocked-rotor check animation, prompting you to remove the roller and clean the garbage.
- After the motor is completely blocked for 5 seconds, the machine stops running, and the screen displays an error message for 90 seconds and then shuts down or restarts. Please remove the vacuum cleaner and check the floor brush/pipe/filter to see if there is any garbage blockage.
- When the wrong adapter is used, the screen will play the wrong animation for 60 seconds and then turn off, and the animation will prompt that the adapter parameters are correct.

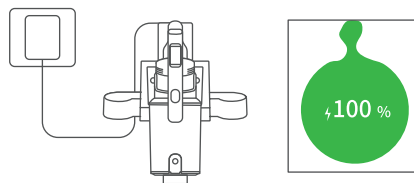
## 5.CHARGING METHODS

### 5.1 Charging Methods

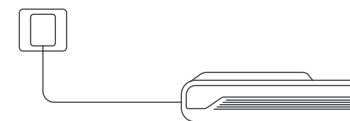
When the battery indicator on the screen is under 30% and power off , the product has to be charged soon.



Method 1: The product can be charged on the storage wall-mount. The digital screen will be showed the charging process ,when at 100%, the battery is full.



Method 2: The battery package can be pulled out and charged separately. The battery indicator light will be flashing in blue when being charged and turn blue when the battery is full.



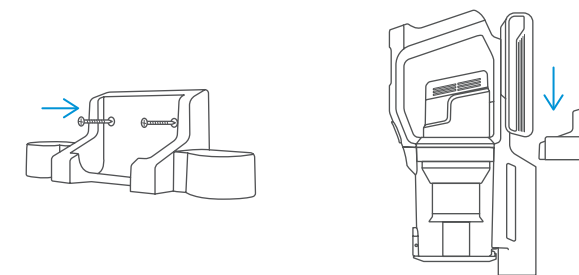
- Blue light flashing (Charging)
- Blue light (Fully Charged)

### 5.2 Wall Mount



#### Warning

- Please make sure there is no gas, water or electrical cables and wires behind the mounting area.
- To avoid the dock dropping down, please make sure it must be installed firmly.

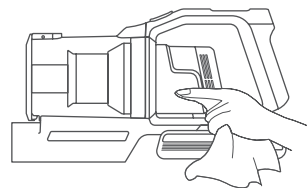


## 6.MAINTENANCE

Please clean it regularly to prolong the service life of the vacuum cleaner.

### 6.1 Main Body Cleaning

- Turn off the power before cleaning the body.
- Please use a neutral detergent, wipe the body with half-wet cloth.
- Please avoid sun exposure and store in a cool and dry place.



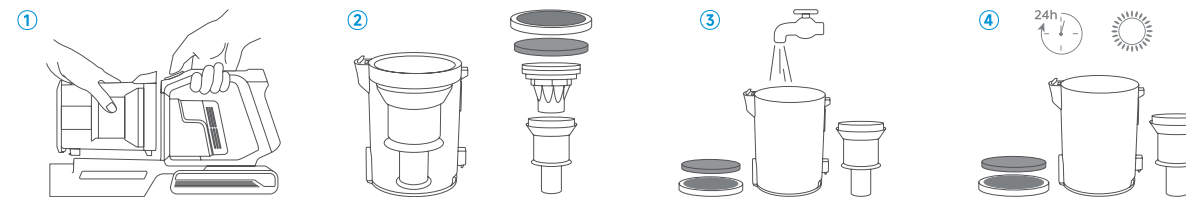
### 6.2 Empty the Dust Cup

- Press the dust cup release button to empty the dust.
- When using, if the garbage in the dust cup exceeds MAX line, please empty it in time.



### 6.3 Clean the Filter

The dust cup release lever is pulled back and the dust cup can be disengaged and unlocked for cleaning.



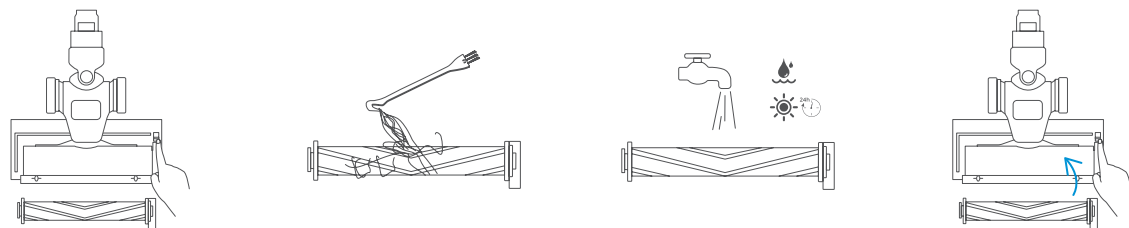
#### Note



- The filter case and HEPA filter have to be cleaned once in two weeks. The HEPA filter has to be replaced Every two months if necessary. Please ensure the filters are completely dry before reassembly.

## 6.4 Brush Roller Cleaning

**Note:** After long periods of use, the bristle may be jammed by hair or similar build-up. It's recommended to clean the brush roller periodically to ensure efficient operation and maintain suction.



## 7.SPECIFICATION

Product	Cordless Vacuum Cleaner
Model	Elite S6
Rated Voltage	25.9V $\equiv$
Unit Dimension	250*160*1080mm
Cleaning Modes	Low/Middle/High

## 8.TROUBLESHOOTING

ISSUE	CAUSE	SOLUTION
Weak suction power	<ol style="list-style-type: none"> <li>① Filter element blocked/deformed</li> <li>② The expansion tube is blocked by foreign objects</li> <li>③ Air leakage from broken brush hose</li> </ol>	<ol style="list-style-type: none"> <li>① Clean/replace the filter</li> <li>② Clean the telescopic tube</li> <li>③ Contact customer service to replace the floor brush</li> </ol>
Cannot be turned on	<ol style="list-style-type: none"> <li>① The switch of vacuum cleaner is not working</li> <li>② The filter system is blocked and the main unit is blocked to trigger automatic protection</li> <li>③ Battery damage/short circuit in other parts</li> </ol>	<ol style="list-style-type: none"> <li>① Contact customer service to replace the switch</li> <li>② Clean/replace the filter</li> <li>③ Contact customer service for investigation</li> </ol>
The brush does not rotate	<ol style="list-style-type: none"> <li>① The brush is entangled with hair</li> <li>② The electric floor brush is damaged/short-circuited</li> <li>③ Metal tube short circuit failure</li> </ol>	<ol style="list-style-type: none"> <li>① Clean the hair on the roller</li> <li>② Contact customer service to replace the brush</li> <li>③ Contact customer service to replace the metal tube</li> </ol>
Battery cannot be charged	<ol style="list-style-type: none"> <li>① Loose charging port</li> <li>② Wrong adapter</li> <li>③ Adapter/battery damaged</li> </ol>	<ol style="list-style-type: none"> <li>① Reconnect charging</li> <li>② Use the correct adapter</li> <li>③ Contact customer service to replace the adapter/battery</li> </ol>
Auto shutdown after power on	<ol style="list-style-type: none"> <li>① Battery is not fully charged (wrong adapter/loose charging port)</li> <li>② The filter system is blocked, the host blockage triggers automatic protection</li> <li>③ Short circuit of the telescopic tube/folding tube/electric floor brush</li> </ol>	<ol style="list-style-type: none"> <li>① Reconnect charging / use the correct adapter</li> <li>② Clean/replace the filter</li> <li>③ Contact customer service for replacement</li> </ol>

## 9.WARRANTY

### The 2-Year Limited Warranty

- Your Laresar machine has a 2-year warranty against original defects in material and workmanship, when used for private household purposes in accordance with the Laresar Instruction Manual.
- This warranty provides, at no extra cost to you, all labor and parts necessary to ensure your machine is in proper operating condition during the warranty period.

### WHAT IS COVERED?

According to the requirements outlined in this instruction manual, subject to the following conditions and exclusions.

Only applies to purchases made from authorized retailers of Laresar.

This warranty will only be valid if the machine is used in the country in which it was sold.

### WHAT IS NOT COVERED?

Laresar shall not be liable for costs, damages or repairs incurred as a result of:

- Machines purchased from an unauthorized dealer.
- Careless operation or handling, misuse, abuse and/or lack of maintenance or use not in accordance with the Laresar Instruction Manual.
- The machines are used for commercial or rental purposes in addition to normal domestic use.
- Use of parts not in accordance with the Laresar Instruction Manual.
- Use of parts and accessories other than those produced or recommended by Laresar.

- External factors unrelated to product quality and use, like accidental water damage.
- Repairs or alterations carried out by unauthorized parties or agents.
- Normal wear and tear, including Dust Cup, Belt, Filter, HEPA, Brush Roller, and Power Cord (or where external damage or abuse is diagnosed), carpet or floor damage due to use not in accordance with manufacturer's instructions or failure to turn the brush roller off when necessary.
- Reduction in battery discharge time due to battery age or use.

### HOW TO CLAIM?


Please keep your proof of purchase. To make a claim under our Limited Warranty, you need to provide your original purchase receipt with the purchase date and order number on it.

All work will be carried out by Laresar or its authorized agency.

Any replaced defective parts will become the property of Laresar.

Service under this warranty will not extend the period of this warranty.

If your machine is not functioning properly, or you still have any questions after reading this manual carefully, please feel free to contact us, we will try our best to provide you with a satisfactory solution.



E-mail our Customer Service:  
**support01@laresar.us**

---

Laresar is here to help and we are glad to serve you.

