

03DTSHCR0707FGD2TW-V1

DIP TREATED SHIPLAP CORNER 7X7 FULLY GLAZED DOORS 2 TALL WINDOW

BEFORE YOU START PLEASE READ INSTRUCTIONS CAREFULLY

- Check the pack and make sure you have all the parts listed.
- When you are ready to start, make sure you have the right tools at hand (not supplied) including a Phillips screwdriver, Stanley knife, Wood saw, Step ladder, Hammer and a Drill with 2mm bit.
- Ensure there is plenty of space and a clean dry area for assembly.

LOCATION FOR YOUR GARDEN BUILDING

A minimum of 60cm should be left around the perimeter of your garden building to allow access for maintenance, annual treatment and to allow air flow around the building.

Where possible you should avoid placing your garden building underneath large trees to prevent the tree causing damage to the building.

TIMBER

As with all natural materials, timber can be affected during various weather conditions. For the duration of heavy or extended periods of rain, swelling of the wood panels may occur. Warping of the wood may also occur during excessive dry spells due to an interior moisture loss. Unfortunately, these processes cannot be avoided but can be helped. It is suggested that the outdoor building is sprayed with water during extended periods of warm sunshine and sheltered as much as possible during rain or snow.

Once your garden building has been installed it will need to be treated as soon as possible and annually to prevent the timber from deteriorating and to waterproof it. This is required to maintain the anti-rot guarantee.

Dip Treated buildings - Require a preservative treatment to protect against rot and decay and a waterproof treatment to prevent water ingress

Pressure Treated buildings - Require a waterproof treatment to prevent water ingress

Log Cabins - Are supplied untreated and require a preservative and waterproofing treatment.

BUILDING A BASE

When thinking about where the building and base is going to be constructed:
Ensure that there will be access to all sides for maintenance work and annual treatment.

Ensure the base is level and is built on firm ground, to prevent distortion. Refer to diagrams for the base dimensions, The base should be slightly smaller than the external measurement of the building, i.e. The cladding should overlap the base, creating a run off for water. It is also recommended that the floor be at least 25mm above the surrounding ground level to avoid flooding.

TYPES OF BASE

- Concrete 75mm laid on top of 75mm hard-core.
- Slabs laid on 50mm of sharp sand.

Whilst all products manufactured are made to the highest standards of Safety and in the case of childrens products independently tested to EN71 level, we cannot accept responsibility for your safety whilst erecting or using this product.



x2 All buildings should be erected by two adults



Winter = High Moisture = Expansion
Summer = Low Moisture = Contraction



2mm Drill bit

For ease of assembly, you **MUST** pilot drill all screw holes and ensure all screw heads are countersunk.

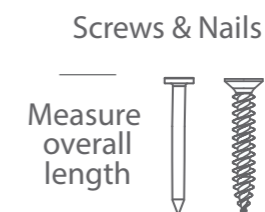


CAUTION

Every effort has been made during the manufacturing process to eliminate the prospect of splinters on rough surfaces of the timber. You are strongly advised to wear gloves when working with or handling rough sawn timber.

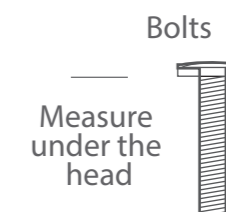


For ease of assembly, you will need a tape measure to check dimensions of components.



Screws & Nails

Measure overall length



Bolts

Measure under the head

To identify the fixings required for each step use a measuring tape.

****Protim Aquatan T5 (621)****

Your building has been dip treated with **Aquatan**.

Aquatan is a water-based concentrate which is diluted with water, the building has been treated by the correct application of Aquatan solution and then allowed to dry.

Aquatan is a decorative finish to colour the wood, which is applied industrially to timber fence panels and garden buildings.

Aquatan undiluted contains: boric acid, sodium hydroxide 32% solution, aqueous mixture of sodium dioctyl sulphosuccinat and alcohols: 2, 4, 6-trichlorophenol.



REGISTER FOR YOUR
ANTI-ROT
GUARANTEE TODAY

PLEASE SCAN HERE:



For assistance please contact customer care on: 01636 821215

**Mercia Garden Products Limited,
Sutton On Trent,
Newark,
Nottinghamshire,
NG23 6QN**

www.merciagardenproducts.co.uk

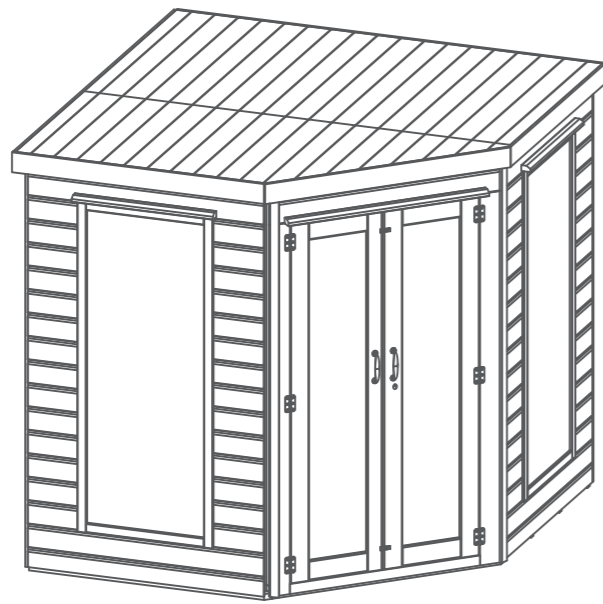


Overall Dimensions:

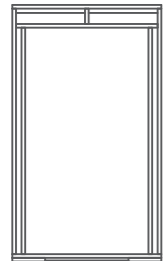
Width = 2075mm
Depth = 2074mm
Height = 2006mm

Base Dimensions:

Width = 1958mm
Depth = 1958mm



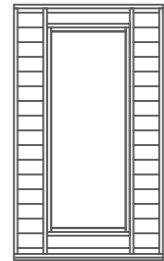
1



Door Panel
QTY 1

AI-03S11SHDD1135X1946-V1

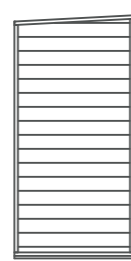
2



Window Panel
QTY 2

AI-03S11SH1TFWC1135X1946-V1

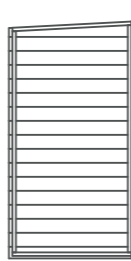
3



Large Right Panel
QTY 1

AI-01S11SHPGR952X1947-V1

4



Small Right Panel
QTY 1

AI-01S11SHPGR980X1897-V1

5



Large Left Panel
QTY 1

AI-01S11SHPL952X1947-V1

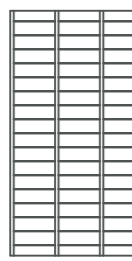
6



Small Left Panel
QTY 1

AI-01S11SHPL980X1897-V1

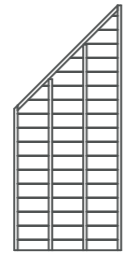
7



Floor
1103x1958mm
QTY 1

AI-R11MBF1103X1958-V1

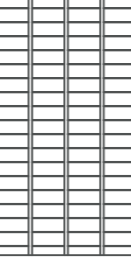
8



Angled Floor
855x1958mm
QTY 1

AI-R11MBAF855X1958-V1

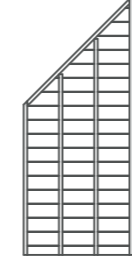
9



Roof
1175x2050mm
QTY 1

AI-S11MBPR1175X2050-V1

10



Angled Roof
875x2050mm
QTY 1

AI-S11MBANGRR875X2050-V1

11



Master Door
QTY 1

AI-STDFGMD475X1720-V1

12



Secondary Door
QTY 1

AI-STDFGSD475X1720-V1

13



Locating Block 28x28x240mm QTY 2

FS2828-240mm

14



Roof Support Block 44x58x350mm QTY 1

F4458-G-390mm

15



Door Strip 12x40x996mm QTY 1

S1240-996mm

16



Door Strip 12x40x1740mm QTY 2

S1240-1740mm

17



Cover Trim 12x40x1900mm QTY 2

S1240-1900mm

18



Cover Trim 12x40x1918mm QTY 4

S1240-1918mm

19



Panel Joint Frame 28x28x1806mm QTY 1

FS2828-1806mm

20



Roof Support Bar 44x44x2106mm QTY 1

F4444-2106mm

21



Fascia 12x95x2050mm QTY 2

S1295-1258mm

22



Fascia 12x95x1212mm QTY 3

S1295-1212mm

23



Rear Roof Frame 28x28x2050mm QTY 1

FS2828-2050mm

24



Front Roof Frame 28x28x1175mm QTY 1

FS2828-1175mm

25



Rear Cover Trim 12x60x1800mm QTY 2

S1260-1800mm

26



Rear Panel Framing 28x28x1905mm QTY 1

FS2828-1905mm

27



Front Panel Framing 28x28x1135mm QTY 1

FS2828-1135mm

28



Rain Guard - 28x44x680mm QTY 2

RG2844-680mm

29



Rain Guard - 28x44x990mm QTY 1

RG2844-990mm

30



Turn Button Qty 2

PI-07-0034

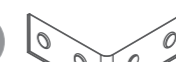
31



Felt QTY 1

PI-07-0016

32



L-Bracket Qty 2

PI-07-0012

33



Butt Hinge Qty 6

PI-07-0066

34



Pad Bolt QTY 2

PI-07-0114

35



Press Lock Qty 1

PI-07-0162

36



Handle Qty 2

PI-07-0081

Nail Bag

There may be extra screws present in the nail bag

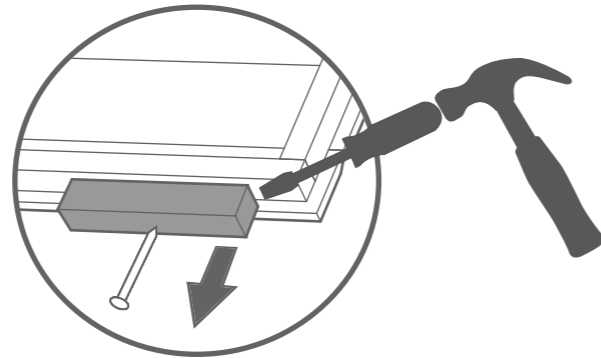


Pre Assembly

Before assembling remove the transportation blocks from the bottom of each panel.

Take care removing the blocks as to not damage the panels. Tap with a flat headed screwdriver and hammer.

Dispose of the blocks once removed.



Step 2

Parts needed - No.3 QTY 1
No.4 QTY 1
No.5 QTY 1
No.6 QTY 1

Fix Large Right Panel (No.3) to Small Right Panel (No.4) and Fix Large Left Panel (No.5) to Small Left Panel (No.6) using 4x50mm screws per join.

8x50mm Screws



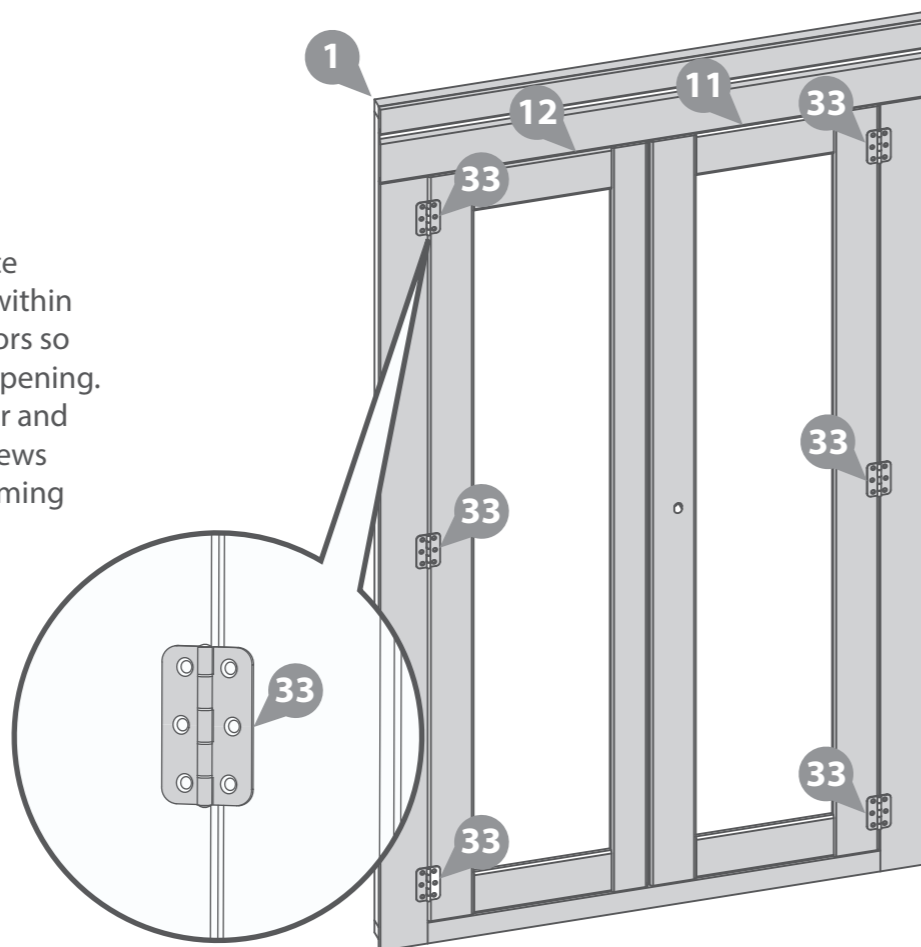
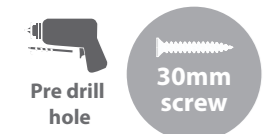
Step 1

Parts needed - No.1 QTY 1
No.11 QTY 1
No.12 QTY 1
No.33 QTY 6

Lay the Door Panel (No.1) on a flat surface and Place the doors (No.11 and No.12) within the Door Panel aperture. Position the doors so that they are equally spaced within the opening. Fix the Butt Hinges (No.33) onto the door and Door Panel as shown. Ensure that the screws go through the cladding and into the framing behind.

****PLEASE NOTE**** Before fitting the hinges, ensure the inner door framing is the correct way round as shown in the illustration.

36x25mm Screws

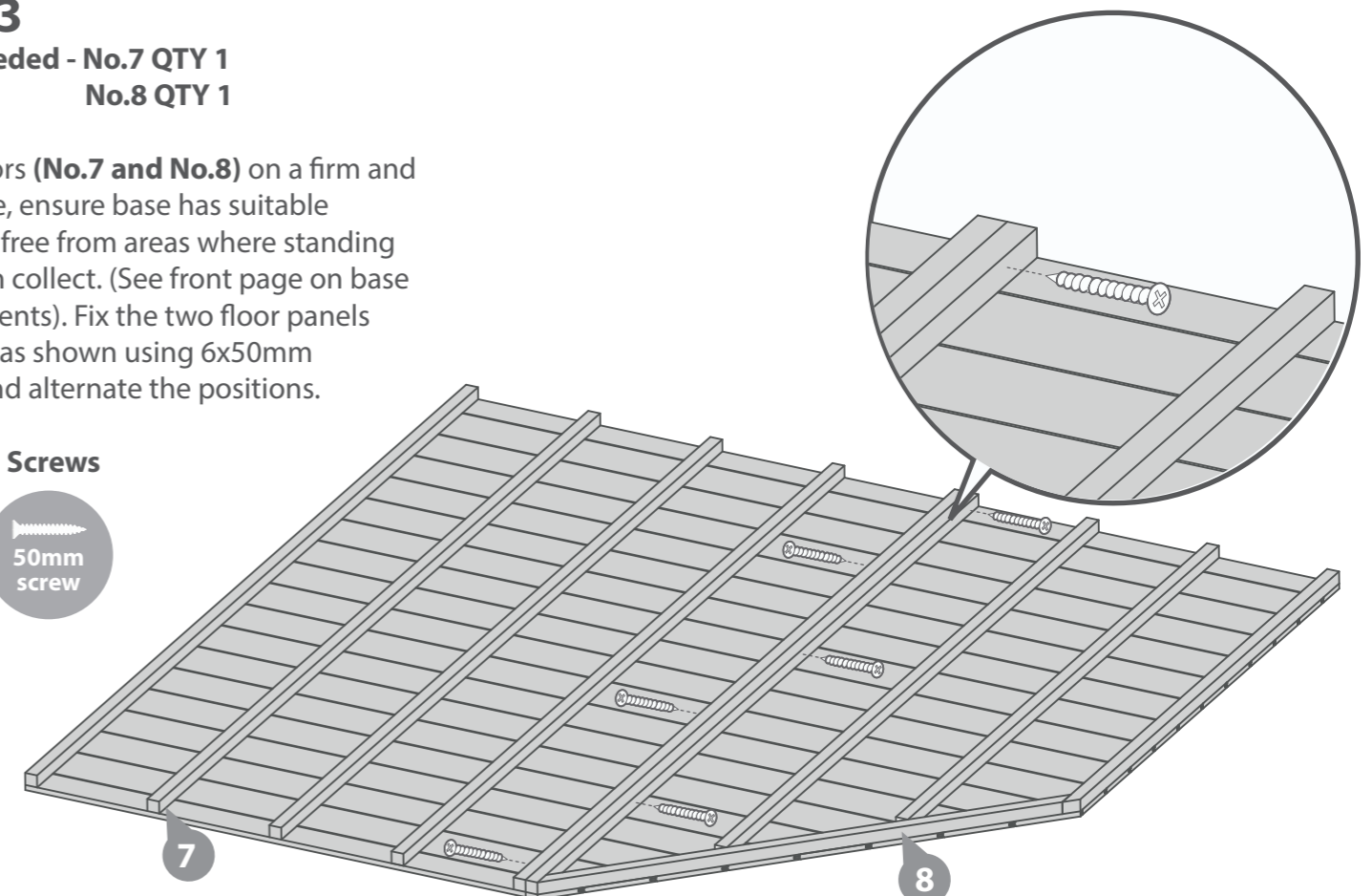


Step 3

Parts needed - No.7 QTY 1
No.8 QTY 1

Place floors (No.7 and No.8) on a firm and level base, ensure base has suitable drainage free from areas where standing water can collect. (See front page on base requirements). Fix the two floor panels together as shown using 6x50mm screws and alternate the positions.

6x50mm Screws



Step 4

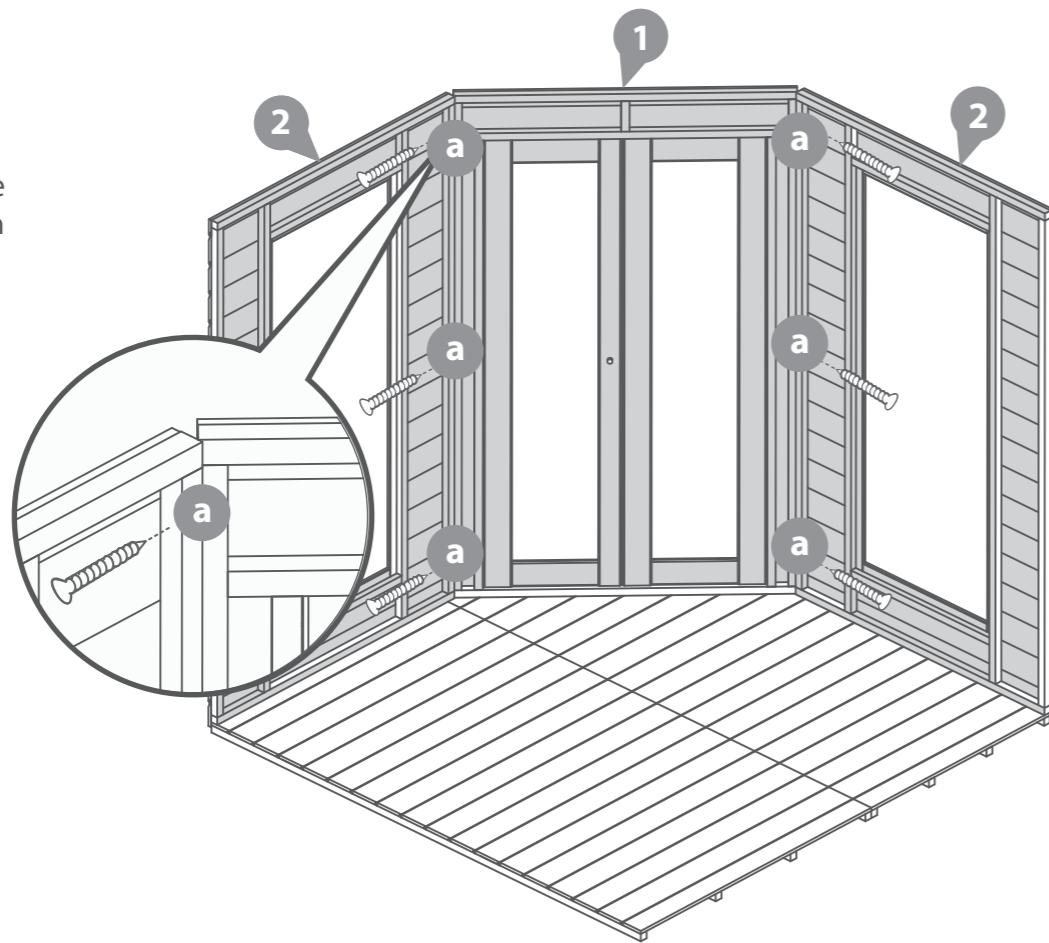
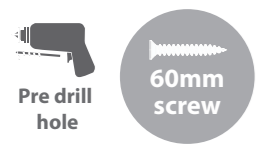
Parts needed - No. 1 QTY 1
No. 2 QTY 2

Place the Door Panel (No. 1), the Window Panels (No. 2) (in which layout is most suitable to yourself) onto the floor.

Fix the corners with 60mm screws as shown in the illustration.

Do not secure the building to the floor until the roof is fitted.

6x60mm Screws



Step 6

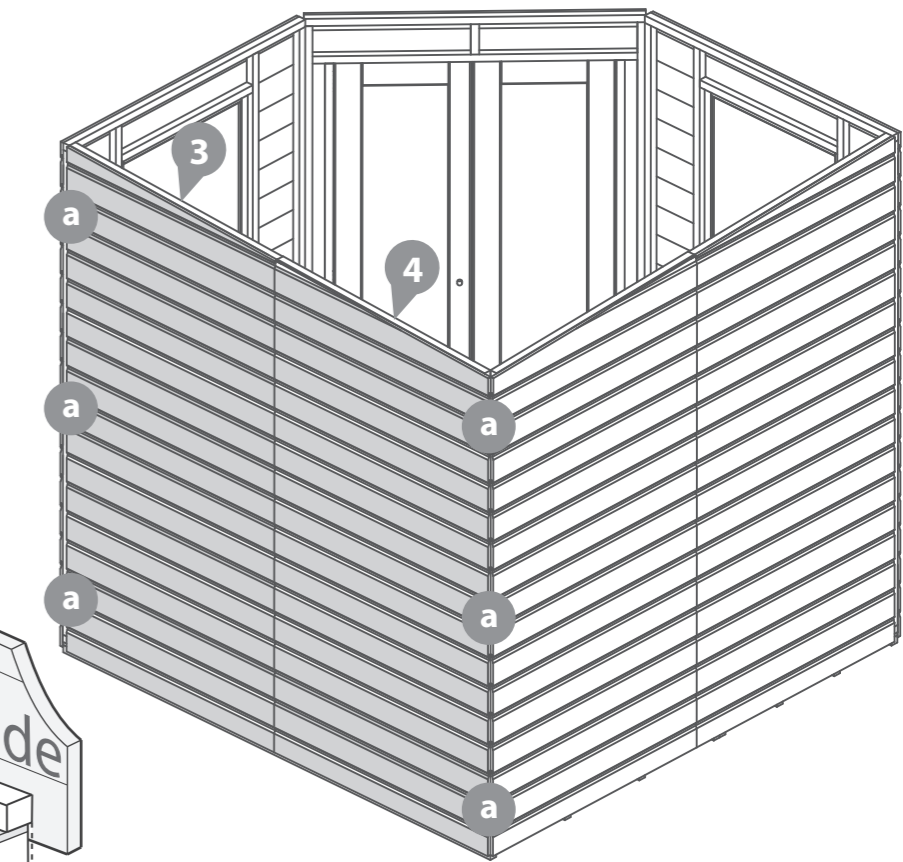
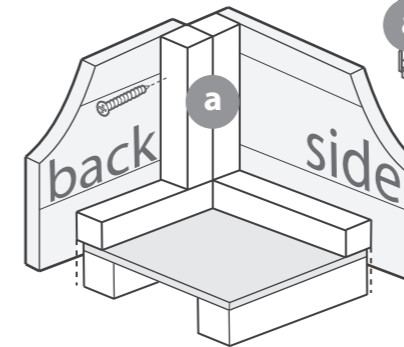
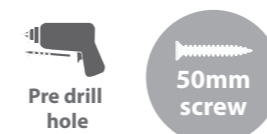
Parts needed - No. 3 QTY 1
No. 4 QTY 1

Using the same method outlined in Step 5 place the two already assembled Right Panels (No.3 and No.5) against the floor and other Panels securing using 6x50mm screws.

From the inside fix the corners with 3x50mm screws as shown in the illustration.

Do not secure the building to the floor until the roof is fitted.

6x50mm Screws



Step 5

Parts needed - No.5 QTY 1
No.6 QTY 1
No.19 QTY 1

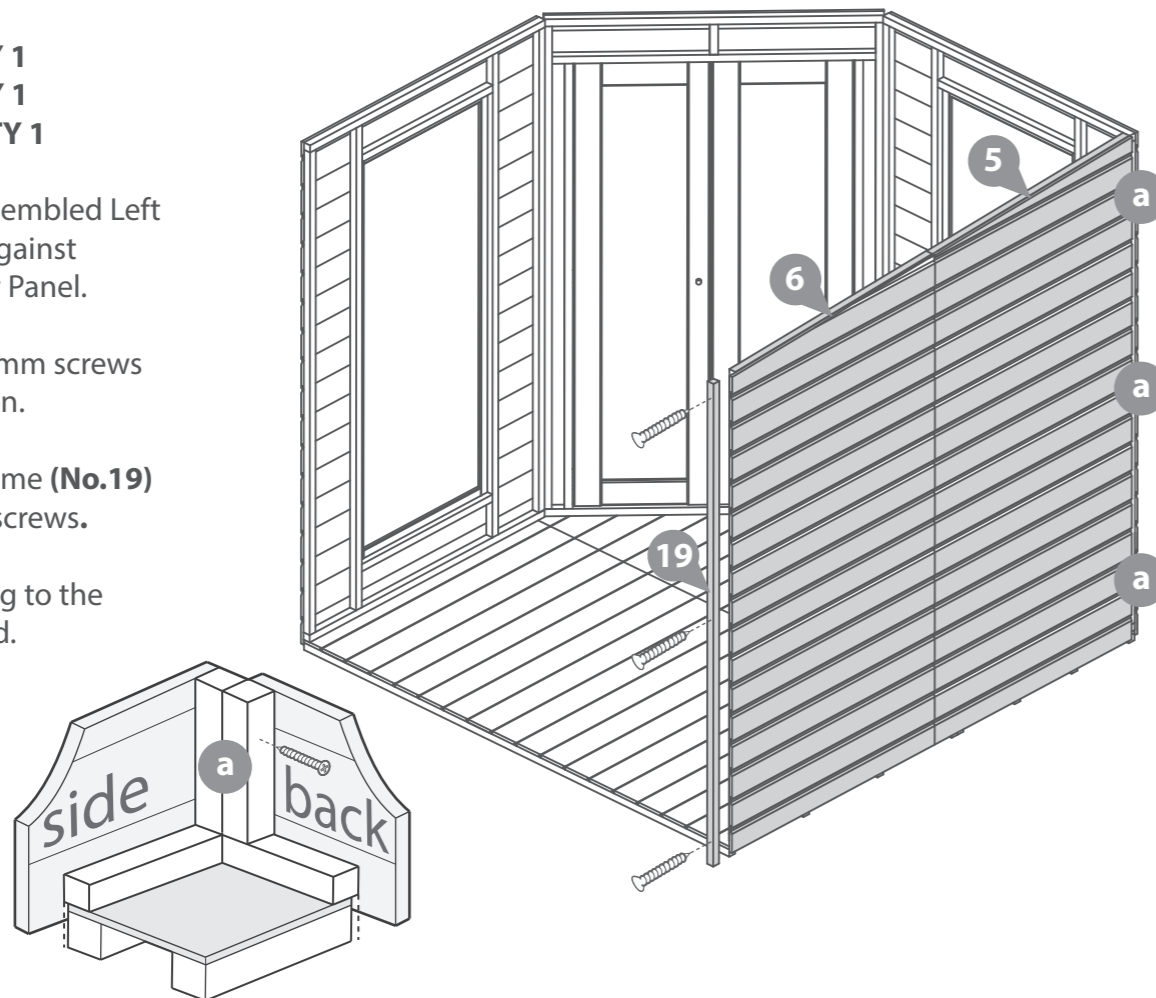
Place the two already assembled Left Panels (No.5 and No.6) against the floor and the Window Panel.

Fix the corners with 3x50mm screws as shown in the illustration.

Attach the Panel Joint Frame (No.19) into place with 3x50mm screws.

Do not secure the building to the floor until the roof is fitted.

6x50mm Screws



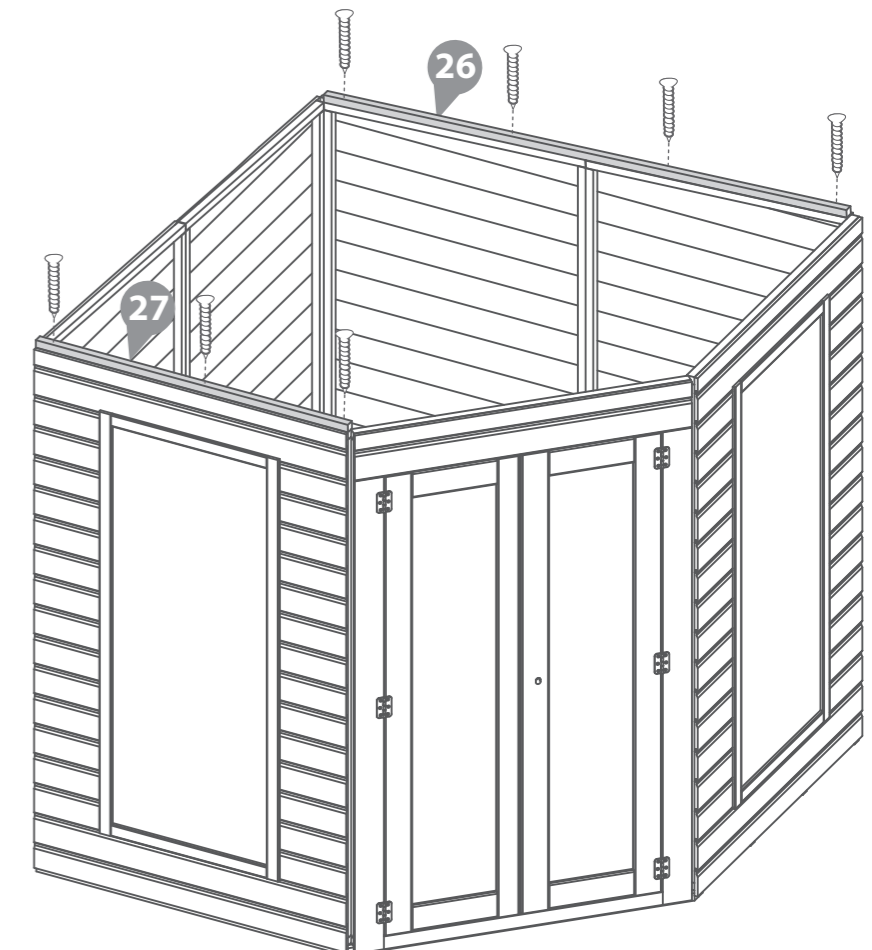
Step 7

Parts needed - No. 26 QTY 1
No. 27 QTY 1

Place the Rear Panel Framing (No.26) on top of the Right Panels. Fix in place using 4x50mm screws.

Place the Front Panel Framing (No.27) on top of the Window Panel. Fix in place using 3x50mm screws.

7x50mm Screws

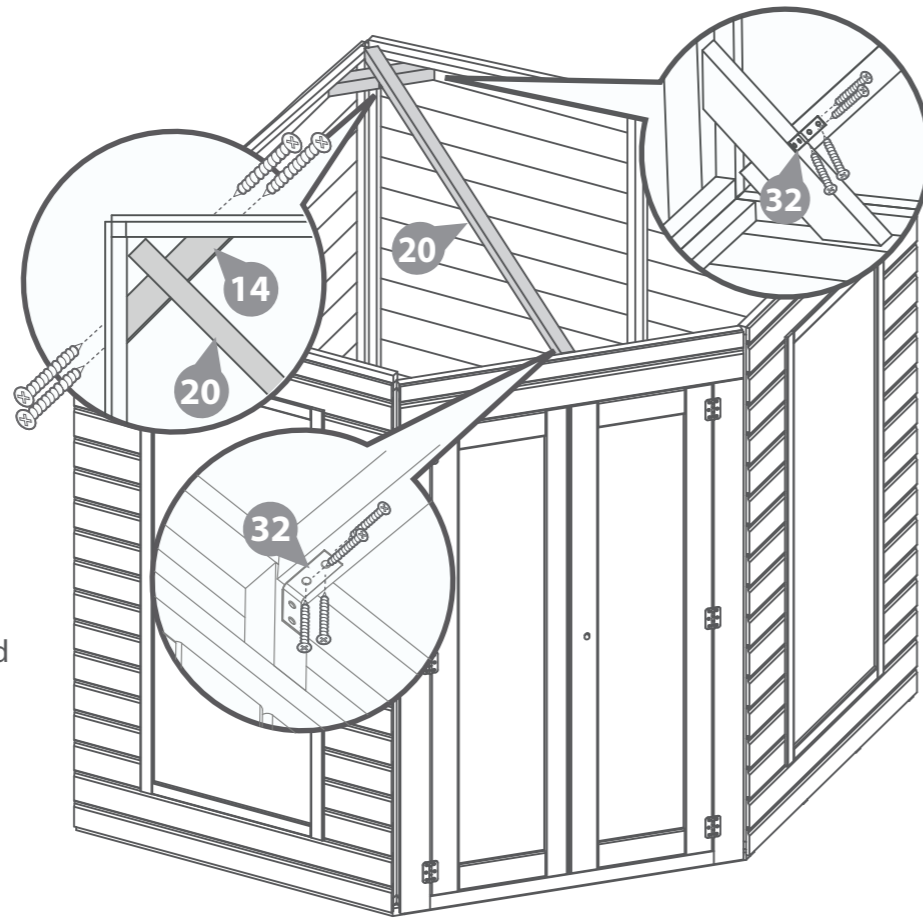


Step 8

Parts needed - No.14 QTY 1
No.20 QTY 1
No.32 QTY 2

First position the Roof Support Bar (No.20) in the centre of the building between the back corner and the door panel. Ensure the top of the roof support bar runs level with building. Line the Roof Support Block (No.14) with the Roof Support Bar & mark its position. Secure the roof block in place using 4x40mm screws. Screw through the boards into the block from the outside.

Secure the Roof Support Bar (No.20) to the door panel using the "L" Bracket (No. 32) and 4x30mm Screws. Fix the other "L" Bracket to the Roof Support Block (No. 14) to the underside of the Roof Support Bar (No. 20).



8x30mm Screws
4x40mm Screws

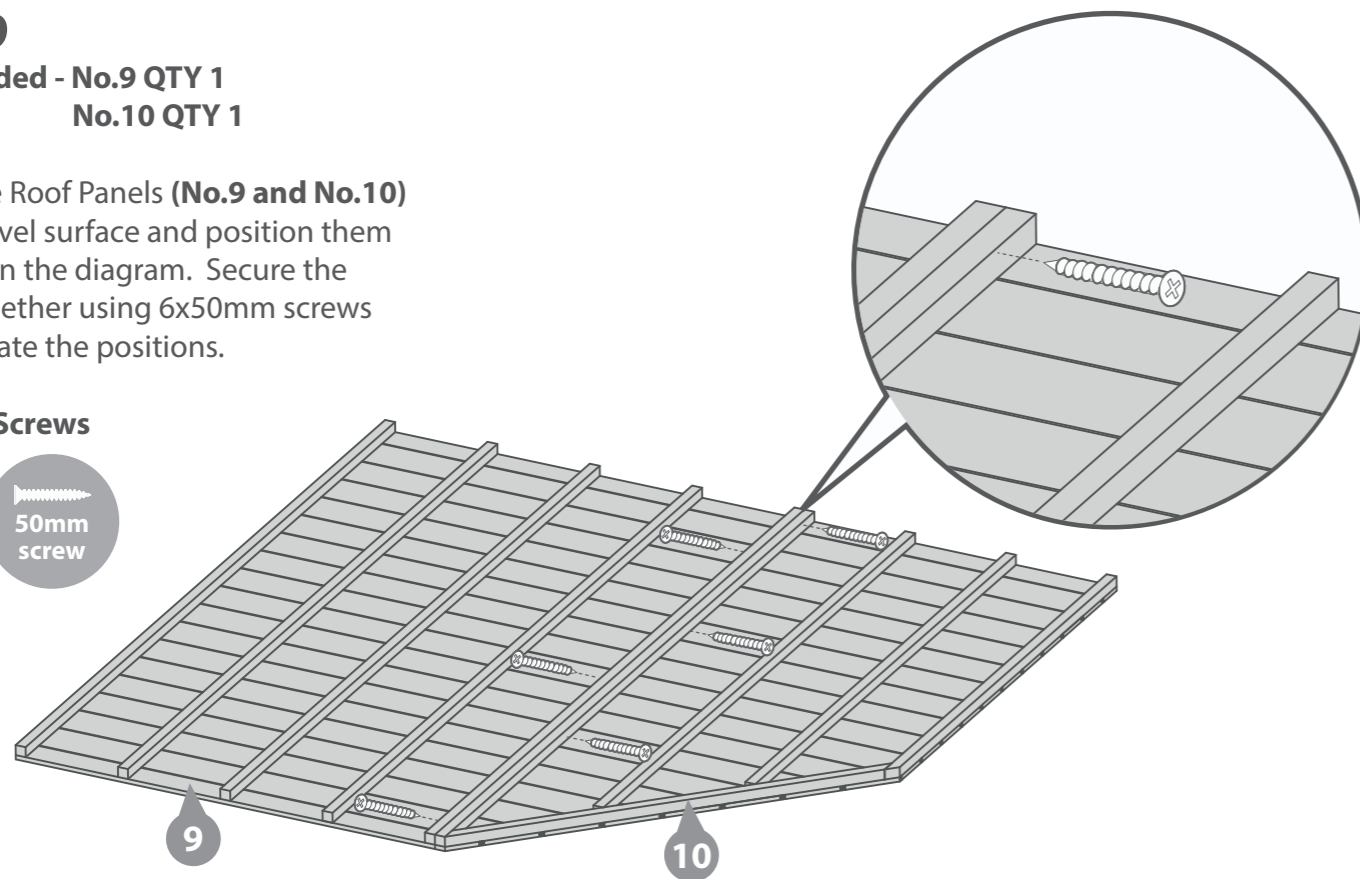


Step 9

Parts needed - No.9 QTY 1
No.10 QTY 1

Layout the Roof Panels (No.9 and No.10) on a flat level surface and position them as shown in the diagram. Secure the panels together using 6x50mm screws and alternate the positions.

6x50mm Screws



Step 10

Parts needed - No.13 QTY 2
No.23 QTY 1
No.24 QTY 1

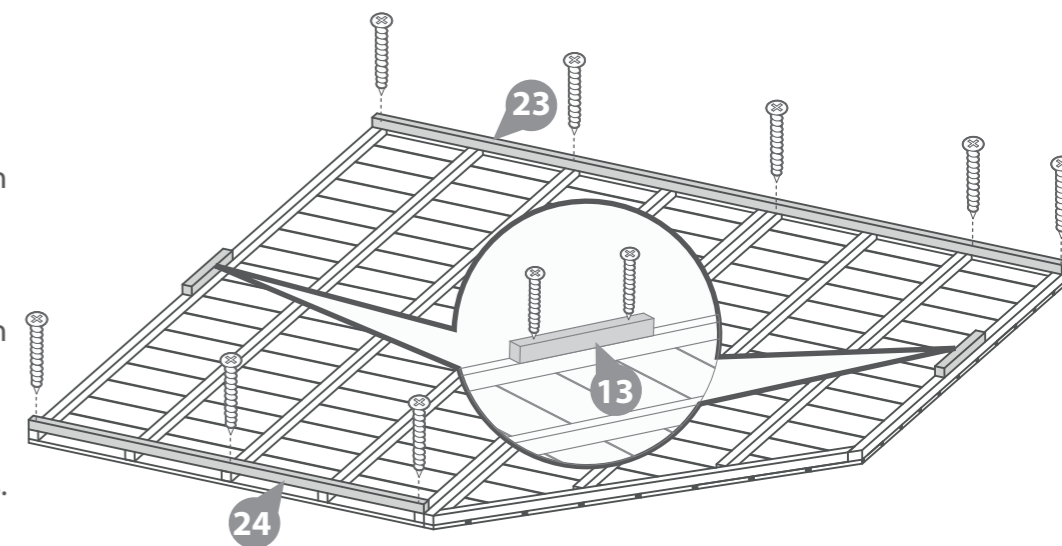
Attach the front (No.24) roof framing to the roof as shown in the illustration using 3x30mm screws.

Attach the rear (No.23) roof framing to the roof as shown in the illustration using 5x30mm screws.

*Ensure to fix the framing the opposite direction to the roof bearers.

Fix the Locating Blocks (No.13) to the opposing sides to the roof framing (these blocks are to help square the roof when fitted).

12x40mm Screws



** If Shed add on pack has been purchased, do not fit No.23 the rear roof framing until instructed to do so in the Shed add on Pack instructions**

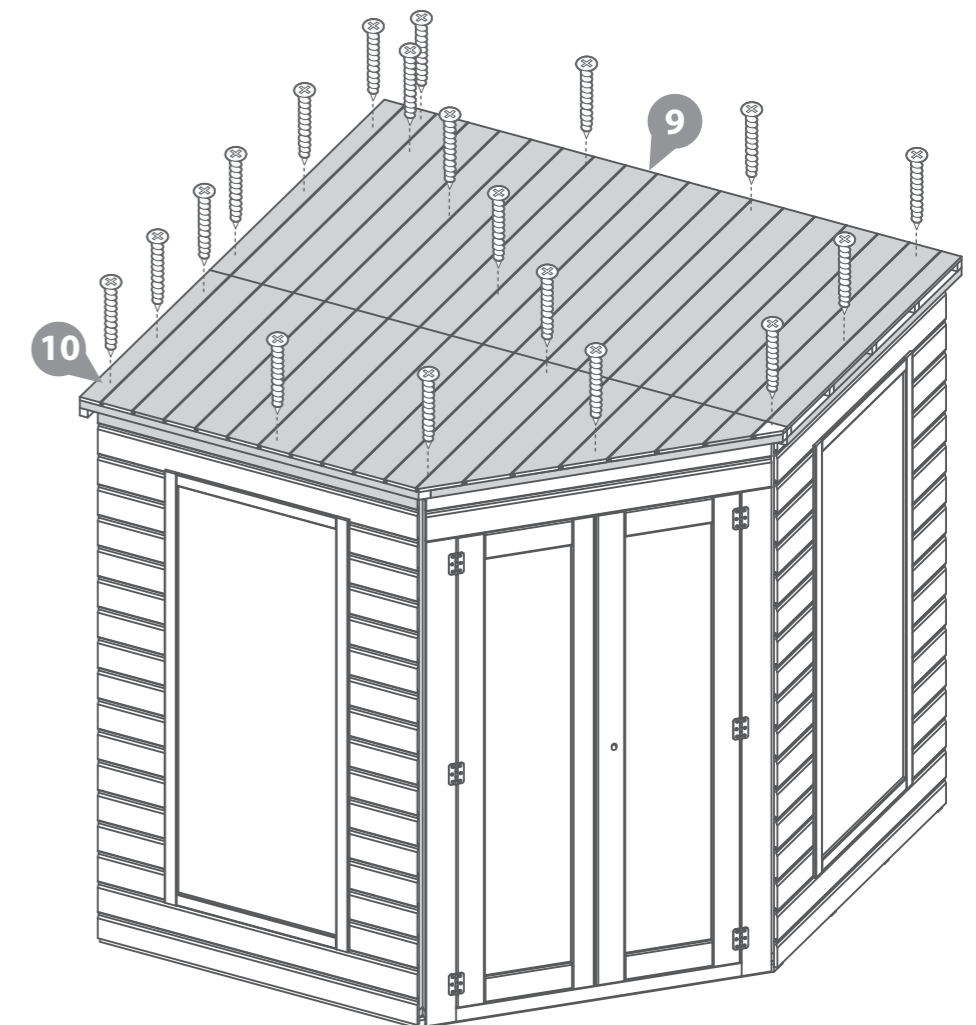
Step 11

Parts needed - No.9 QTY 1
No.10 QTY 1

Place both Roof sections (No.9 and No.10) on top of building, ensure roof framing slots over each side equally all the way around.

Fix Roof Panels into position using 50mm screws ensuring that they line up with the vertical framing inside the building and along the length of the internal roof support bar.

19x50mm Screws

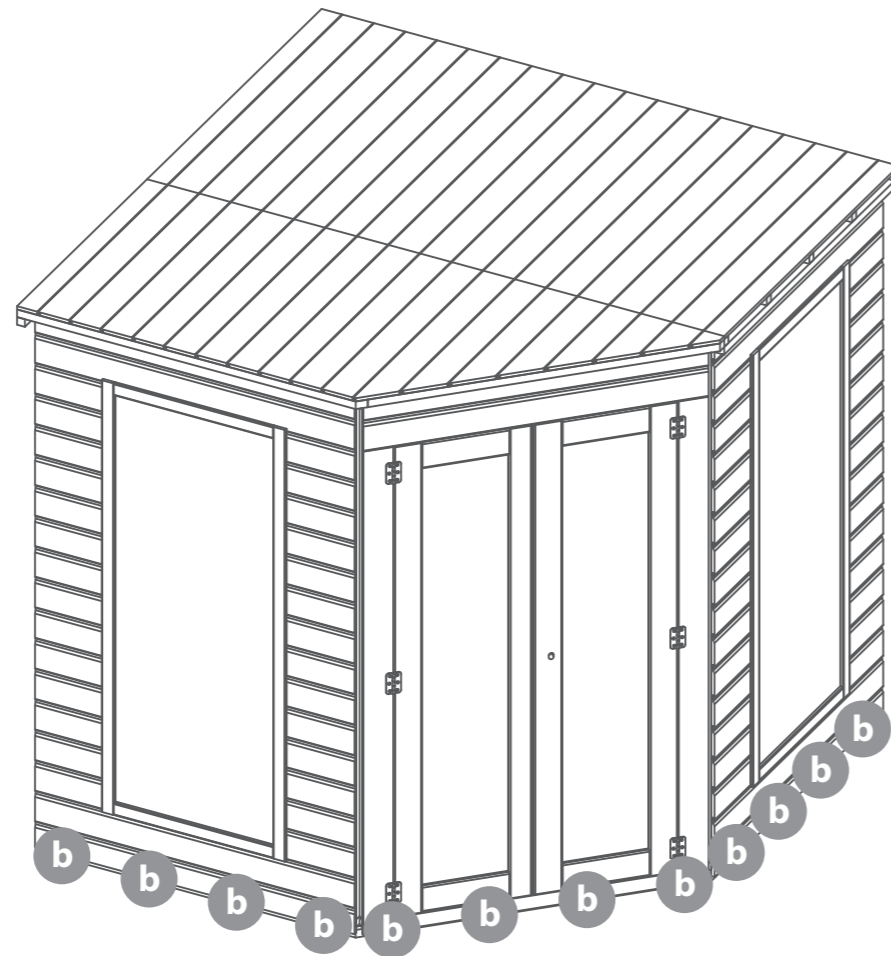


Step 12

Secure the building to the floor. Fix the panels onto the floor using 50mm screws in alignment with the floor joists

**Ensure to screw through the framing into the floor bearers.*

20x50mm Screws



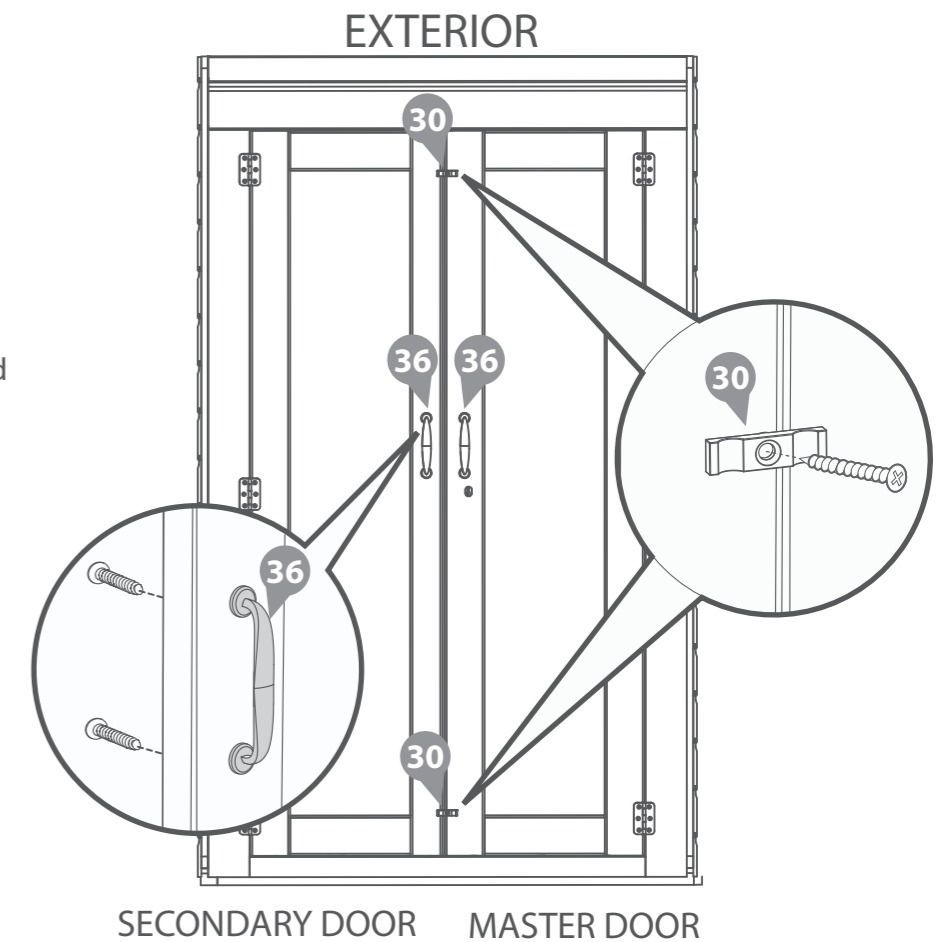
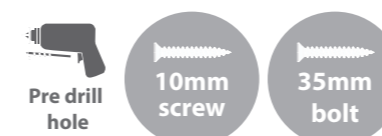
Step 14

Parts needed - No. 30 QTY 2
- No. 36 QTY 2

Fix the door handles (No.36) to the outside of the master and secondary door using the 35mm bolts provided.

Fix the Turn buttons (No.30) at the top and bottom of the Master door using 2x30mm screws.

2x30mm Screws 4x35mm Bolts

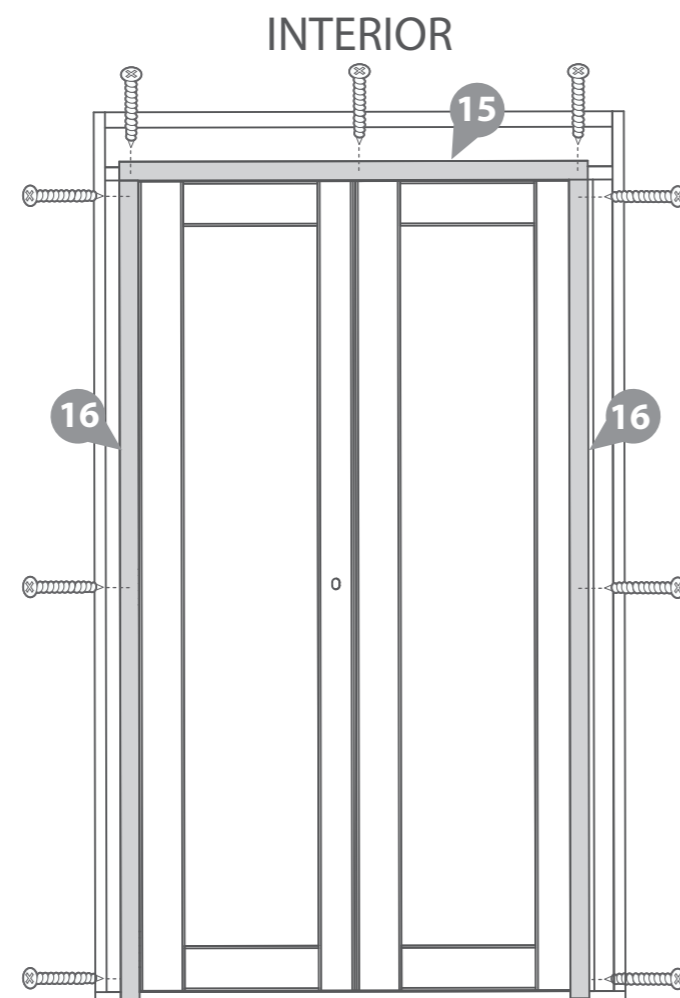
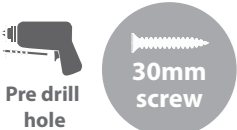


Step 13

Parts needed - No.15 QTY 1
- No.16 QTY 2

Fit the Door Strip (No.15 and No.16) to the framing of the door panel, secure using 3x30mm screws per strip

9x30mm Screws



Step 15

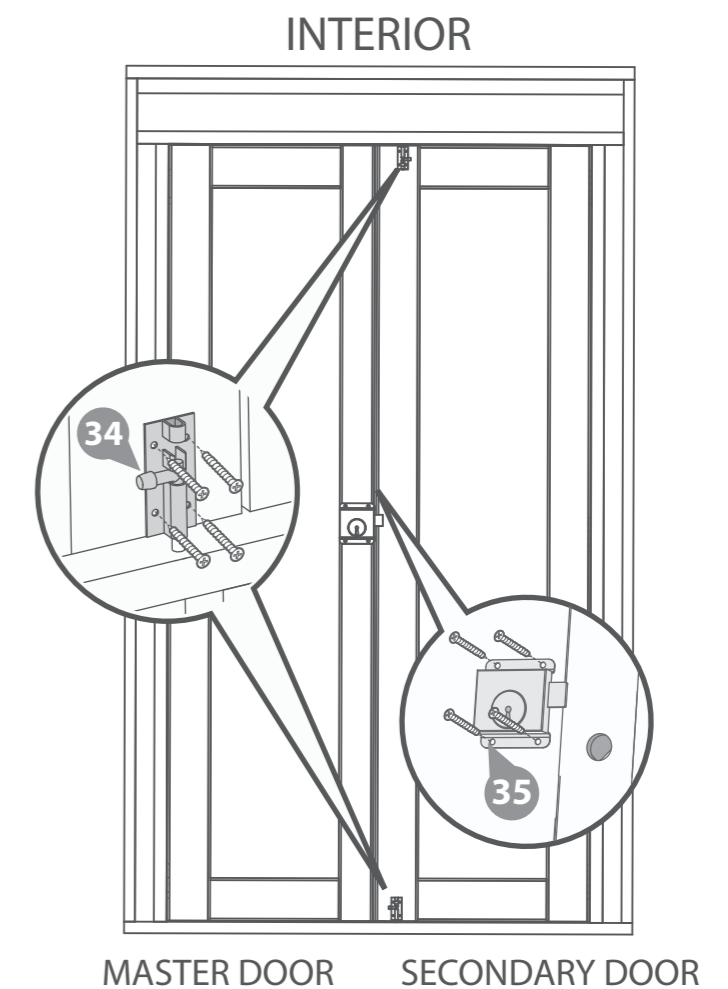
Parts needed - No.34 QTY 2
No.35 QTY 1

Secure the barrel bolts (No.34) to the top & bottom of the secondary door using 6x10mm screws.

Attach the press lock (No.35) to the master door with 4x25mm screws, aligning the barrell with the key hole.

**Ensure the key turns and locks properly before fixing to the door.*

12x10mm Screws 4x25mm Screws



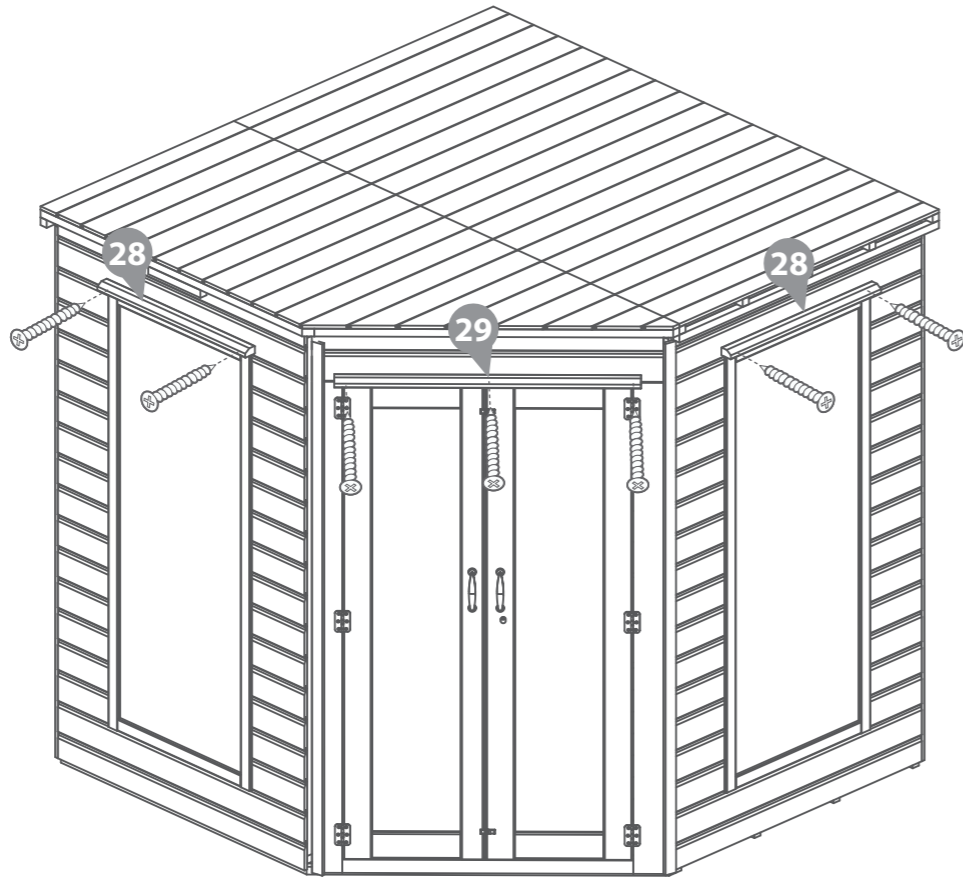
Step 16

Parts Needed - No.28 QTY 2
- No.29 QTY 1

Fix the rain guards (No.28) above each window, securing in place using 2x50mm screws per guard, ensuring to screw through the framing.

Fix the rain guard (No.29) above the door, secure using 3x50mm screws, ensuring to screw through to the framing

7x50mm Screws

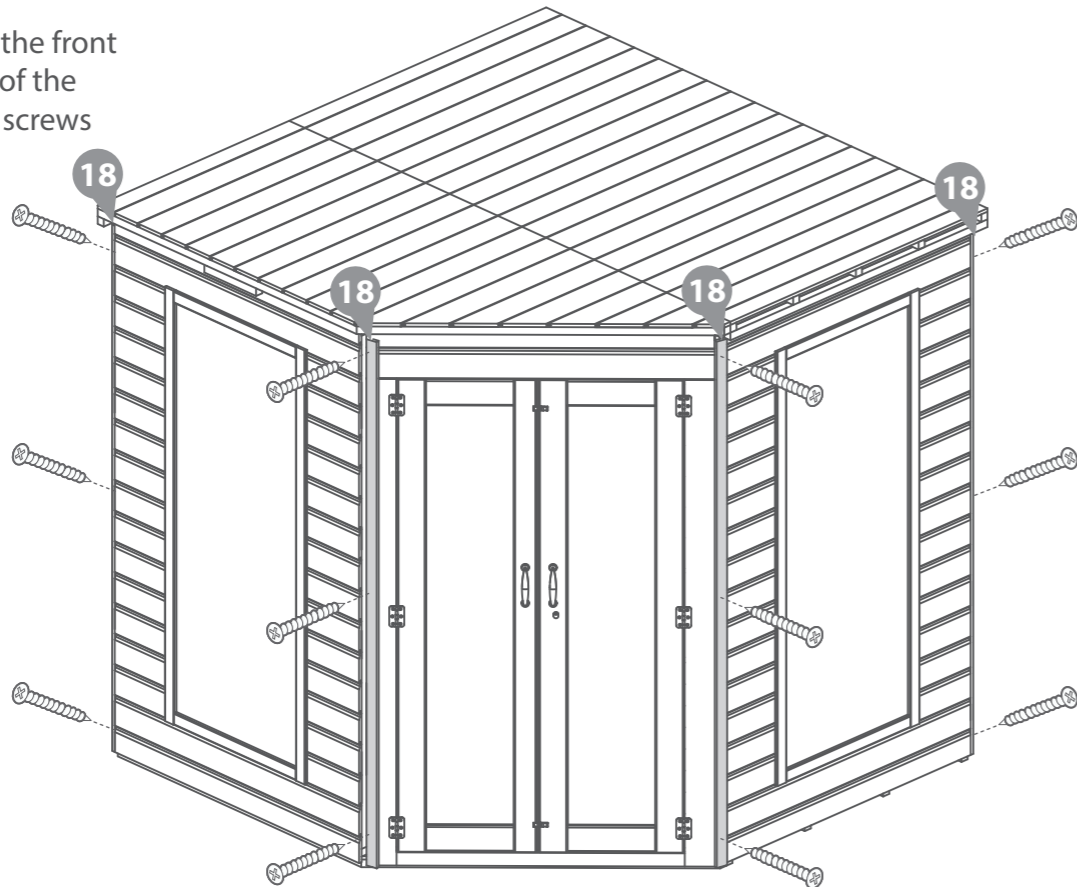
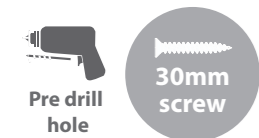


Step 17

Parts needed - No. 18 QTY 4

Fit the Cover Trims (No.18) to the front of the building onto the joins of the panels, secure using 3x30mm screws per cover trim.

12x30mm Screws



****If Shed add on Pack has been purchased, please move onto the Add on Pack Instructions****

Step 18

Parts needed - No. 31 QTY 1

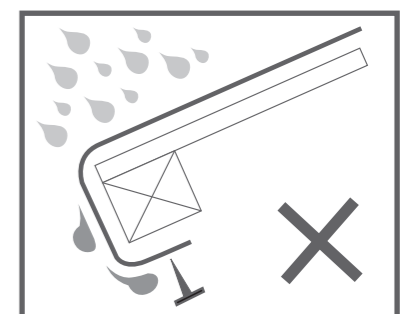
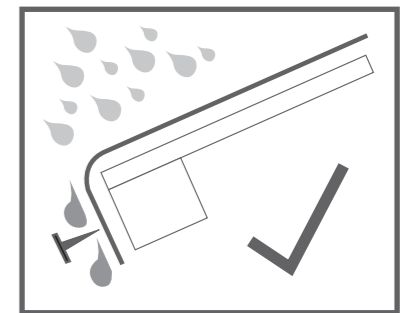
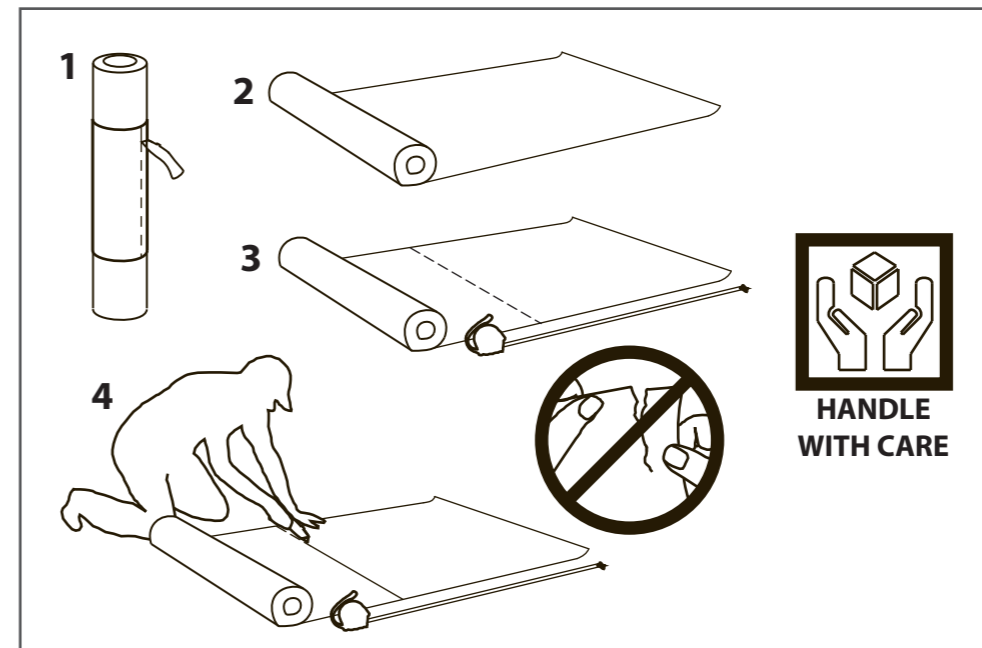
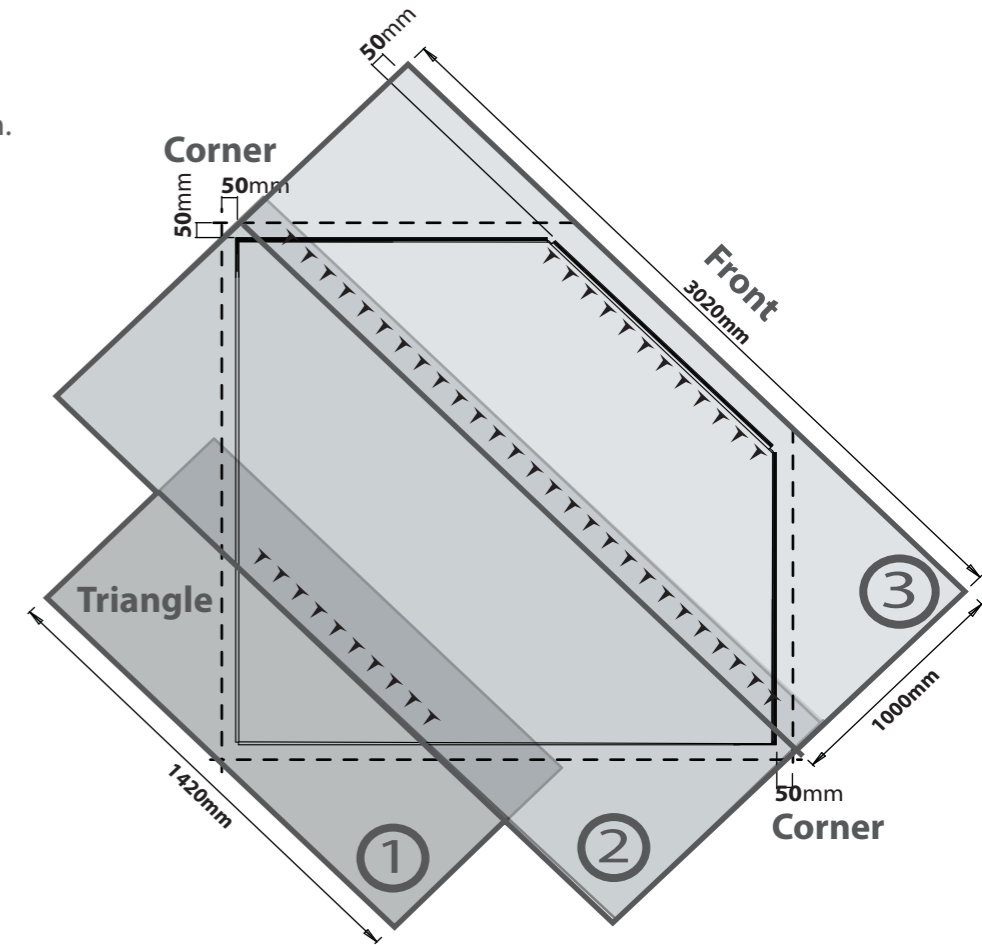
Cut three strips from the roll of felt (No. 31), 2x3020mm and 1x1420mm in length. Place the sheets of felt onto the roof panels working from the back corner and align as shown in the diagram ensuring strip 3 over hangs the front by 50mm. with equal spacing at each corner.

**Ensure strip 1 is the first piece placed down then lay sheet 2 and then 3. Make sure each sheet overlaps the next by at least 100mm creating a run off.*

Use a fascia as a guide to mark out the angled cuts including 50mm overhang.

Cut the sides as shown in diagram at the dotted lines, use fascia width as a cutting guide. Cut the triangle with 50mm overhang again using fascia as a guide.

100x Felt Tacks



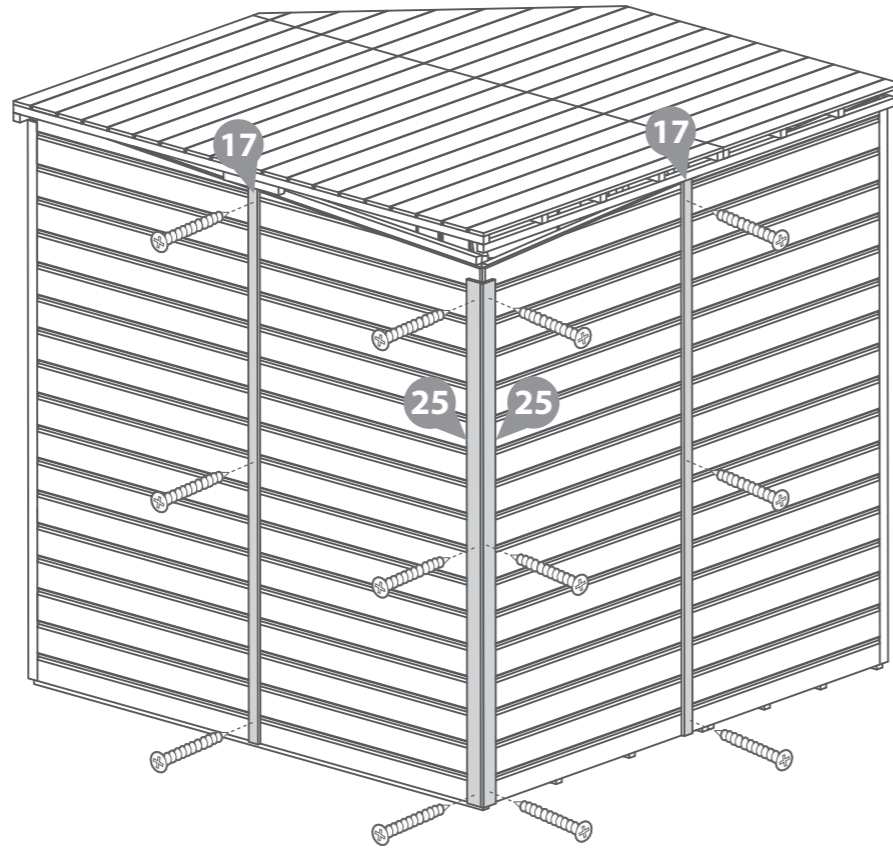
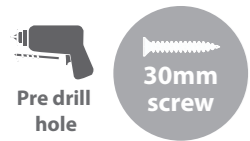
Step 18

Parts needed - No. 17 QTY 2
- No. 25 QTY 2

Fit the Cover Trims (No.17) to the back of the building onto the joins of the panels, secure using 3x30mm screws per cover trim.

Fix the rear cover trims (No.25) to the back of the building, aligning with the edge of the panel.

12x30mm Screws



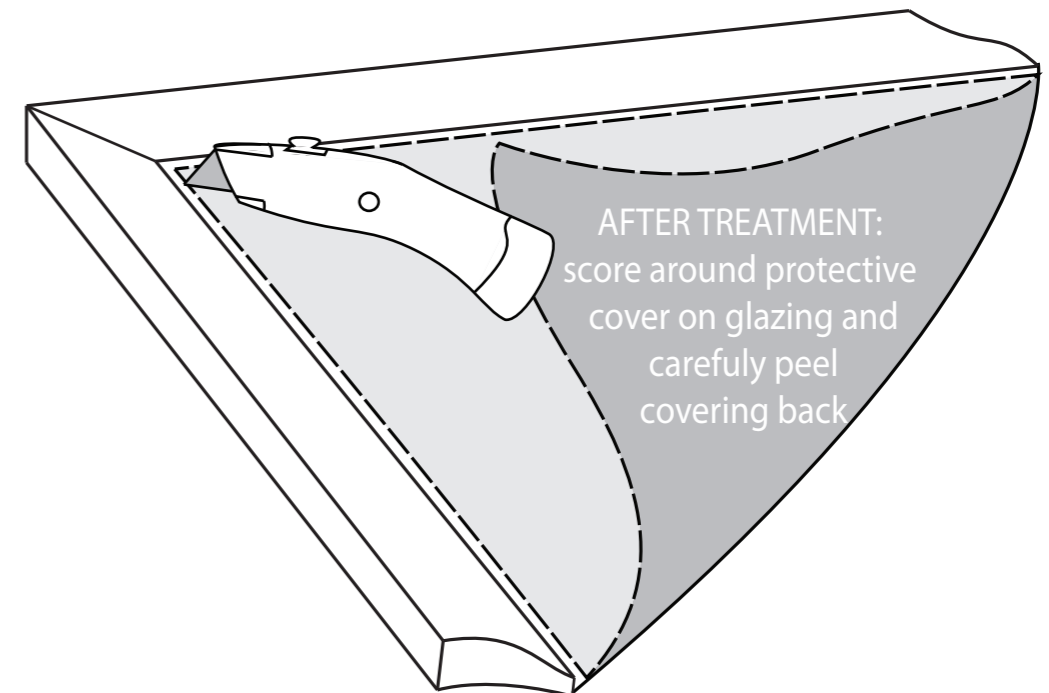
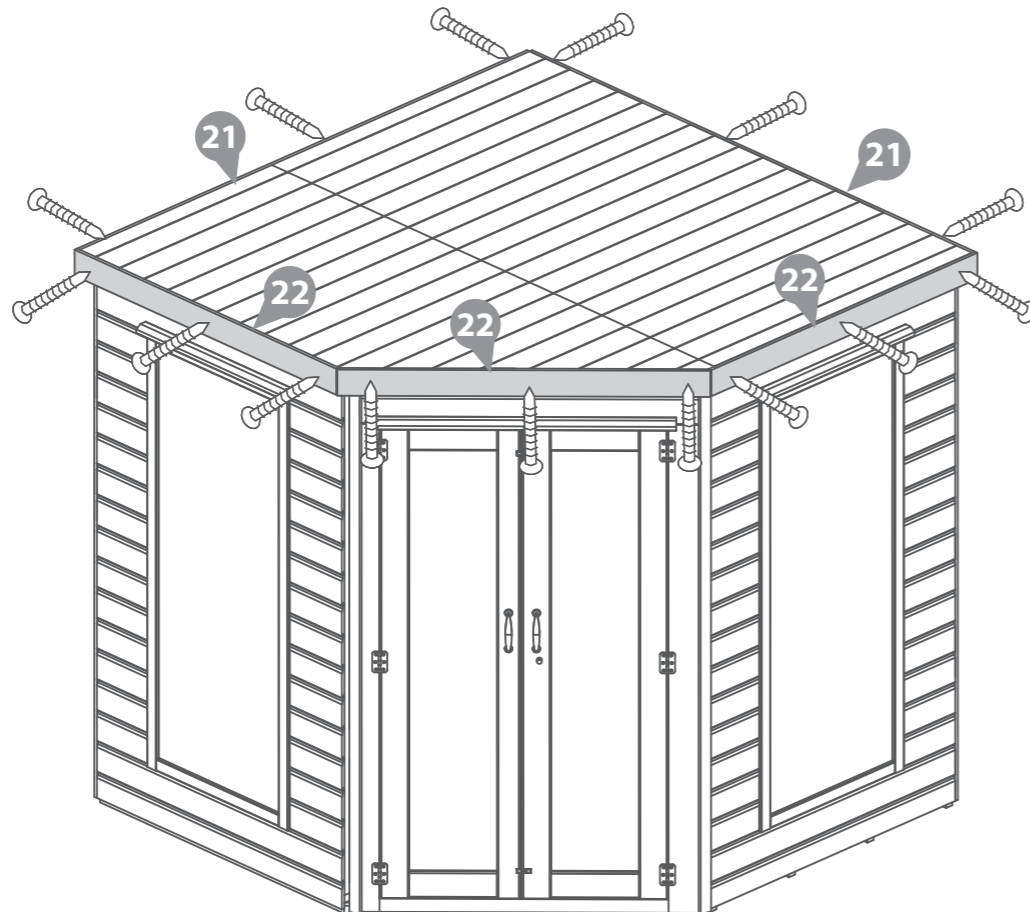
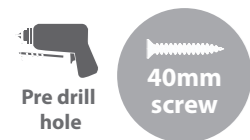
Step 20

Parts needed - No. 21 QTY 2
No. 22 QTY 3

Fit the fascias (No.21 and No.22) to the building over the felt and secure in place with 3x40mm screws per cover trim.

Make sure the fascias at the back of the building fit lower than the roof height to allow water to run off.

15x40mm Screws



All our garden buildings have been designed and manufactured with care and attention to be the perfect addition to your outdoor space. To ensure you do get the best out of your new garden building and to increase the longevity we advise that you follow the product instructions and our manufacturer's recommendations as detailed below. Thank you for choosing a Mercia Garden product!

1 Choosing the most suitable location for your garden building...

A minimum of 60cm should be left around the perimeter of your garden building to allow access for maintenance, annual treatment and to allow air flow around the building.

Where possible you should avoid placing your garden building underneath large trees to prevent the tree causing damage to the building.

2 Preparing the base for your garden building...

All our buildings must be built on a firm, level base to ensure the longevity of the building and prevent the wood from distorting. We recommend either concrete, concrete slabs or a wooden base, such as our 'Portabase'.

The base should be slightly smaller than the external measurement of the building, i.e. the cladding should overlap the base, creating a run off for water and preventing water from pooling underneath the building.

We also recommend that the floor of the garden building is a minimum of 25mm above the surrounding ground level to avoid flooding.

3 After installation...

Once your garden building has been installed it will need to be treated as soon as possible and annually to prevent the timber from deteriorating and to waterproof it. This is required to maintain the anti-rot guarantee.

Dip Treated buildings - Require a preservative treatment to protect against rot and decay and a waterproof treatment to prevent water ingress

Pressure Treated buildings - Require a waterproof treatment to prevent water ingress

Log Cabins/Insulated Garden Rooms - Are supplied untreated and require a preservative and waterproofing treatment

We also recommend using a silicon sealant on the inside and outside of the windows as soon as possible after assembly and treatment to fully seal the windows.

Roofing felt/covering should be checked annually and replaced or fixed accordingly.

4 General maintenance and wood characteristics

As wood is a natural material it may be affected by the following:

Shrinkage and warping - The timber used in the construction of your garden building will have retained some of its natural moisture content. The moisture content of the timber will vary, depending upon prevailing environmental conditions, which will result in the components either naturally expanding or contracting. As the components dry out shrinkage may occur. A good waterproofing treatment from the start is the best protection to minimise the effect of moisture loss/intake.

In extended periods of very warm weather getting some moisture to the building will help the overall balance. You can do this by spraying it down lightly with a garden hose. In contrast after snow fall try to remove the snow as best as possible from the roof to prevent moisture intake and to remove the extra weight.

Top tip - using a garden brush will help you to reach the highest part of the building to remove snow and any debris left from bad weather.

Damp and mould - During the winter months, cold and damp conditions can result in an increased amount of moisture within your garden building, especially when used infrequently. Condensation can form on the timber and other items stored within your garden building. If left this moisture is likely to cause mould and mildew. To prevent the build-up of moisture, we recommend leaving the door or windows of your building open from time to time, to allow the fresh air to circulate. We also advise against storing wet or damp items in your garden building as this will also increase the level of moisture in the building. If mould or mildew does start to form within your building we recommend using an anti-mould cleaner to remove it and to prevent it spreading, which if left untreated could permanently damage your garden building.

Splits, cracks and knots - You may notice small splits and cracks in some components or holes may appear where knots shrink and fall out. This will not affect the structure of your Garden building however if you wish to fill them this can be easily done using any good quality wood filler.

Sap - is naturally occurring in wood and may appear in some boards of your garden building. If you wish to remove the sap, we advise waiting until it is dry and then using a sharp knife to carefully remove it. If the removal of the sap causes a hole in the timber, we recommend using a good quality wood filler to fill it.

For more handy hints and tips on how to care and maintain your garden building please refer to the MGP Customer Portal at www.mgplogistics.co.uk

Any further questions?

Contact our
Customer Service
Team on:
01636 821215

1 Manufacturer's Warranty

All Mercia Garden Products are supplied with a 1 year warranty on all parts against manufacturing defects.
This warranty does not cover movement, warping or splitting of timber products over time.

This warranty will be voided if any of the following occur:

1. The building has been customised or modified/adapted in any way.
2. The person claiming is not the original purchaser of the building.
3. Any damage has been caused by or as a result of misuse.
4. The building has not been maintained and cared for in accordance to our advisories and manufacturer's recommendations.
5. The building has not been treated annually or as per the manufacturer's recommendations, please ensure receipts are kept to validate this claim.
6. The building has not been erected, fitted or installed as per the supplier instructions.
7. The building has not been erected on a suitable sized firm flat, solid level concrete/slab base or placed on pressure treated bearers.
8. The building is or has been placed with 2 feet (60cm) of any obstructions (walls, trees, plants, fences etc.) which can allow moisture to penetrate the timber.
9. The roofing felt has been incorrectly fitted or damaged allowing water ingress, or not properly maintained.
10. Any windows and joints have not been sealed, inside and out, with silicone or other watertight sealant.
11. Any timber has been cut, pierced or drilled without subsequent application of approved cut-end treatment.

2 Anti-rot Guarantee

Mercia Garden Products offer a 10 year anti-rot guarantee on all dip treated (a preparatory treatment) and 15 years on all pressure treated products. This guarantee covers solid timber against rot, decay, blue stain and insect attack.

To validate the guarantee the building must be treated with a recognised wood preserver/water proof top coat (as detailed within manufacturer's recommendations) as soon as possible after assembly and annually thereafter.

This guarantee does not cover movement, warping or splitting of timber products over time.

This guarantee will be voided if any of the following occur:

1. The building has been customised or modified/adapted in any way.
2. The person claiming is not the original purchaser of the building.
3. Any damage is caused by or as a result of misuse.
4. The building has not been maintained and cared for in accordance to our advisories and manufacturer's recommendations.
5. The building has not been treated annually or as per the manufacturer's recommendations, please ensure receipts are kept to validate this claim.
6. The building has not been erected, fitted or installed as per the supplier instructions.
7. The building has not been erected on a suitable sized firm flat, solid level concrete/slab base or placed on pressure treated bearers.
8. The building is or has been placed with 2 feet (60cm) of any obstructions (walls, trees, plants, fences etc.) which can allow moisture to penetrate the timber.
9. The roofing felt has been incorrectly fitted or damaged allowing water ingress, or not properly maintained.
10. Any windows and joints have not been sealed, inside and out, with silicone or other watertight sealant.
11. Any timber has been cut, pierced or drilled without subsequent application of approved cut-end treatment.