

CHEFMAN

CHEFMAN

Barista Pro Plus ESPRESSO MACHINE

QUICK START GUIDE

- Accessories and Features
- Control Panel
- Before First Use
- How to Fill the Portafilter with Coffee
- How to Fill the Portafilter with a Capsule
- How to Place the Portafilter on the Brew Head
- How to Make an Espresso
- How to Make a Cappuccino
- How to Make a Latte
- Cleaning and Maintenance

RJ54-BP-BLACK

@mychefman

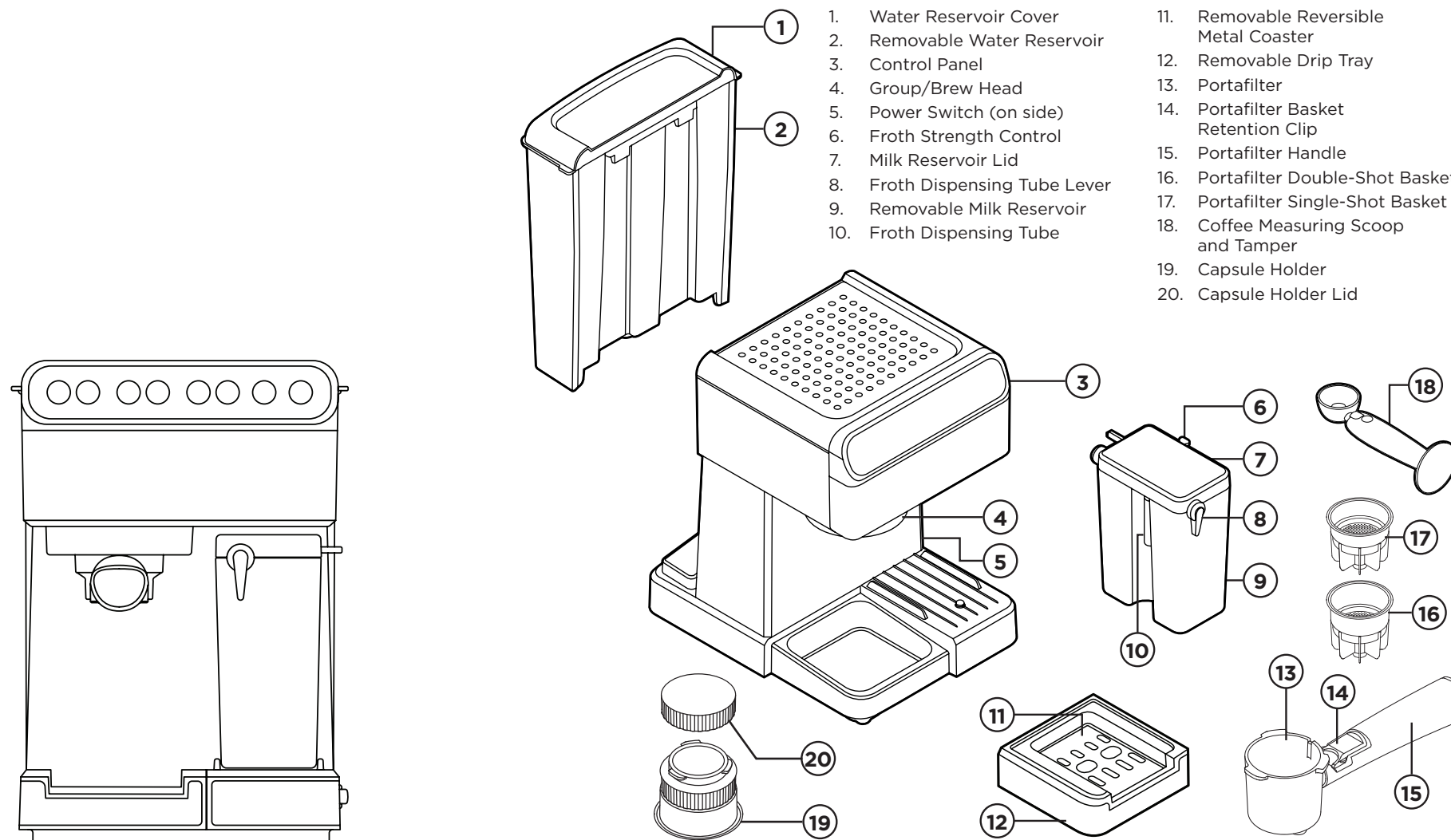


www.chefman.com

©CHEFMAN 2023

RJ54_BP_BLACK_QSG_FINAL_OTP_031523

ACCESSORIES AND FEATURES



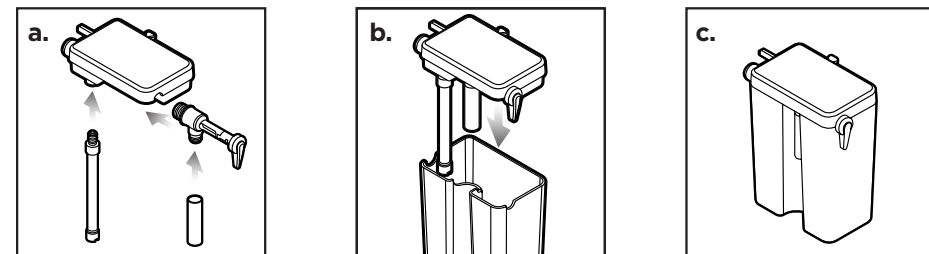
CONTROL PANEL



- When the power is switched on, the unit will be in standby mode. The unit will automatically begin preheating and all available functions on the display will light. (**NOTE:** If the milk reservoir is not on the unit, only the SINGLE and DOUBLE ESPRESSO buttons will display.)
- When you make your drink selection, only that button will remain illuminated. PREHEATING will light up, and then turn off when preheating ends and the brew cycle has begun.
- When the brew cycle is complete, the unit will beep three times; all buttons will light up and the unit will return to standby mode. If no longer using the espresso machine, you may wish to turn it off.
- After 20 minutes of no action, the unit will go into sleep mode, and only the CLEAN icon (not the text) will be lit. Press the CLEAN icon to wake up the unit.
- When the FROTH button is pressed, the froth function will run for 30 seconds. (All other function lights will turn off.) You can end frothing before 30 seconds by pressing the FROTH button again.
- When the water level in the reservoir is low, the LOW WATER indicator text will illuminate red. Once water is added, it will turn off.

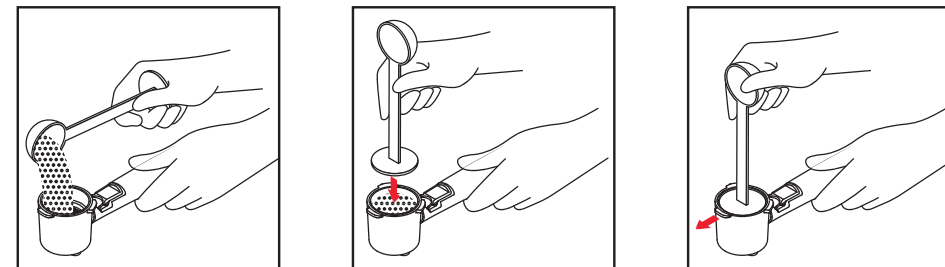
BEFORE FIRST USE

1. Remove all packaging materials and check to ensure that all parts and accessories are accounted for. Read all stickers and remove ones that are not permanent.
2. Remove and hand wash the water reservoir, milk reservoir, portafilter, portafilter baskets, capsule holder and lid, measuring scoop, drip tray, and removable coaster with a mild detergent and water. Only the metal coaster is top-rack dishwasher safe. All other parts are not dishwasher safe. **NOTE:** The four parts of the milk reservoir lid can come apart and are easily reassembled. To reassemble, follow the diagrams below.



HOW TO FILL THE PORTAFILTER WITH COFFEE

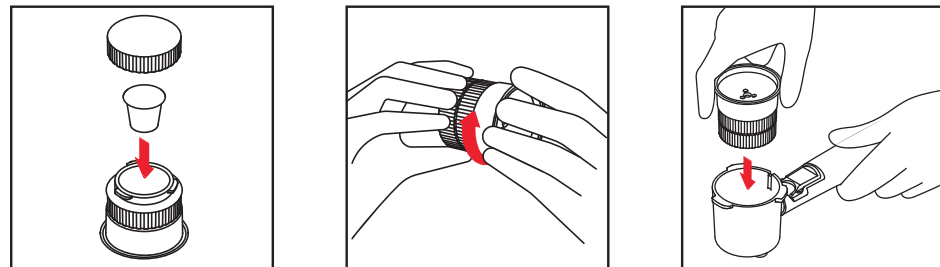
1. Select your basket size and drop it into the portafilter. (Use the single-shot basket for single espresso drinks and the double-shot basket for double drinks.)
2. Use the coffee measuring scoop to fill the basket with finely ground espresso beans. Do not overfill the basket.
3. Using the tamper end of the measuring spoon, press on the grounds firmly and evenly. Be sure the surface is smooth and flat. Clean any excess grounds from the portafilter rim to ensure a proper fit in the brew head.



HOW TO FILL THE PORTAFILTER WITH A CAPSULE

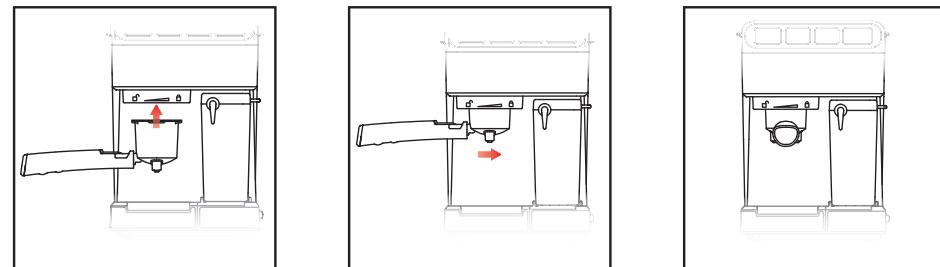
Before going into the portafilter, the capsule must be secured in the capsule holder.

1. To insert a capsule into the capsule holder, place the plastic portion of the capsule into the holder with the foil top facing up. (Be sure to use only original-style espresso capsules.)
2. Press down firmly on the capsule to puncture the bottom and lock it into place. Twist on the capsule holder lid, making sure it is tightly closed.
3. To insert the capsule holder into the portafilter, simply drop it in lid side down.



HOW TO PLACE THE PORTAFILTER ON THE BREW HEAD

1. With one hand on the unit to steady it, position the portafilter underneath the brew head with the handle facing to the left.
2. Insert the portafilter up into the brew head, lining up the handle with the open lock icon on the unit.
3. Slowly turn the handle to the right until resistance is felt and the handle is aligned with the locked icon on the unit.



HOW TO MAKE AN ESPRESSO

1. Fill the water reservoir between the MIN and MAX lines.
2. Fill the portafilter with ground beans or a capsule and attach it to the brew head.
3. Place a heatproof cup or demitasse on the metal coaster over the drip tray.
4. Press the SINGLE ESPRESSO or DOUBLE ESPRESSO button. When brewing is complete, the unit will beep three times.

HOW TO MAKE A CAPPUCCINO

1. Fill the water reservoir between the MIN and MAX lines.
2. Fill the milk reservoir with milk and insert it onto the unit.
3. Set the froth strength to Standard.
4. Place a medium-size heatproof cup or mug on the metal coaster over the drip tray, then move the silver froth dispensing tube lever to position the tube over the cup.
5. Fill the portafilter with ground beans or a capsule and attach it to the brew head.
6. Press the SINGLE CAPPUCCINO or DOUBLE CAPPUCCINO button. When brewing is complete, the unit will beep three times.

HOW TO MAKE A LATTE

1. Fill the water reservoir between the MIN and MAX lines.
2. Fill the milk reservoir with milk and insert it onto the unit.
3. Set the froth strength to Standard.
4. Place a large heatproof cup or mug on the metal coaster over the drip tray, then move the silver froth dispensing tube lever to position the tube over the cup.
5. Fill the portafilter with ground beans or a capsule and attach it to the brew head.
6. Press the SINGLE LATTE or DOUBLE LATTE button. When brewing is complete, the unit will beep three times.

CLEANING AND MAINTENANCE

It's important to clean the Barista Pro Plus Espresso Machine regularly. Follow the directions in the User Guide.

NOTE: When you use the clean function, hot water and steam will come out in bursts. Do not remove the cup until the clean cycle has completely ended (the unit will beep three times and other function buttons will light up). If the clean cycle is canceled before finishing, wait a few minutes before removing the cup as more hot water and steam may be expelled.