








CHEFMAN

DUAL FUNCTION Lorem ipsum

AIR FRYER + OVEN

QUICK START GUIDE

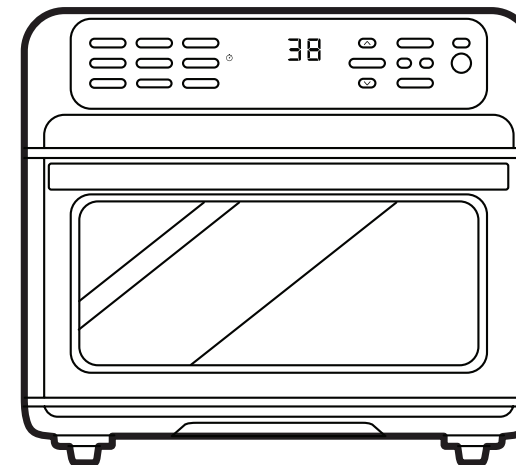
- Features and Accessories
- Before First Use
- Cleaning and Maintenance
- How to Cook with One Function
- How to Cook with Dual Function

@mychefman     

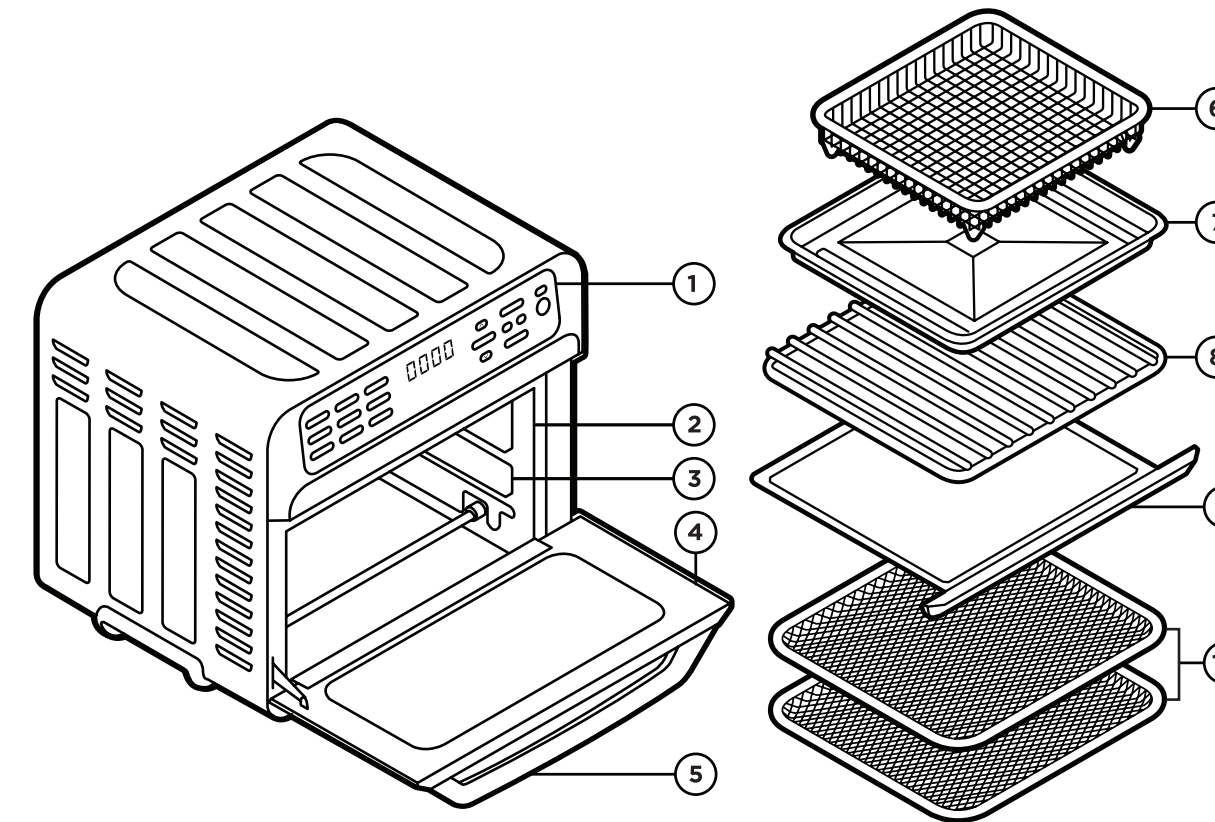
www.chefman.com

©CHEFMAN 2020

RJ50-SS-T



FEATURES AND ACCESSORIES



- | | |
|-----------------------------------|---------------------------|
| 1. Capacitive Touch Control Panel | 6. Air Fry Basket |
| 2. Easy-Clean Interior | 7. Broil/Bake Pan |
| 3. Rack Insert Positions | 8. Removable Wire Rack |
| 4. Safety Auto-Shutoff Door | 9. Pull Out Crumb Tray |
| 5. Cool-Touch Door Handle | 10. Dehydrating Racks (2) |

BEFORE FIRST USE

1. Read and remove all packing materials and stickers (except for rating label on bottom). Be sure all accessories are accounted for.
2. Gently wipe the exterior and interior of the oven with a clean, damp cloth and dry thoroughly.
3. Hand wash and thoroughly dry removable crumb tray; crumb tray is NOT dishwasher safe. Wash and dry accessories; accessories, except for broil/bake pan, are top-rack dishwasher safe.
4. Place unit on a flat, heat-resistant surface at least 2 inches away from the wall or any other objects.

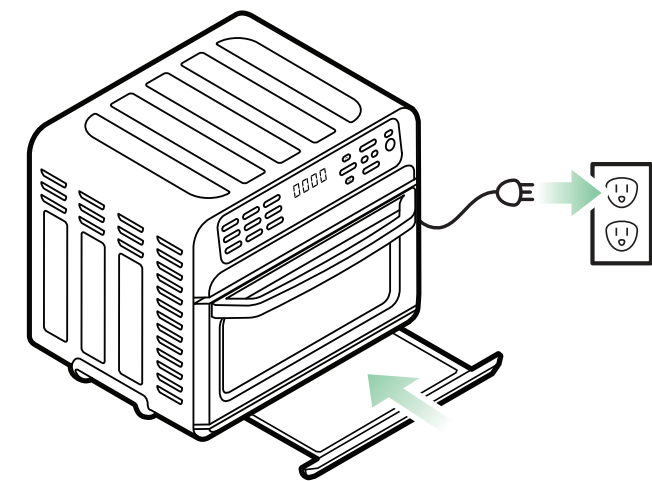
CLEANING AND MAINTENANCE

1. Unplug the oven and allow to cool completely before cleaning.
2. Gently wipe the exterior with a clean, damp cloth and dry thoroughly. Using a mild liquid soap and a damp cloth or sponge, wipe glass on door. Do NOT use a spray glass cleaner.
3. Using a mild liquid soap and a damp cloth or sponge, wipe the interior walls. Do NOT use abrasive cleaners.
4. Slide out the crumb tray and hand wash and dry; the crumb tray is NOT dishwasher safe.
5. Hand wash and dry the broil pan, wire rack, dehydrating racks, and basket. Racks and basket are also top-rack dishwasher safe; the broil/bake pan is not.
6. Thoroughly dry the oven and all its accessories before storing.

HOW TO COOK WITH ONE FUNCTION

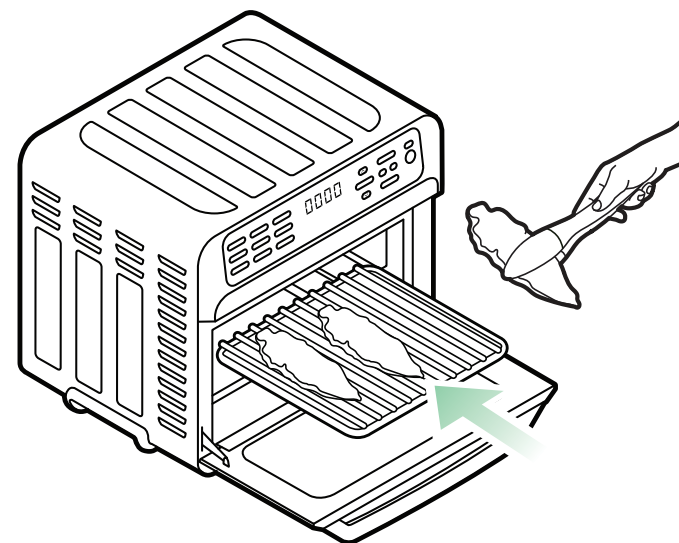
STEP 1

Ensure the crumb tray is inserted in its position below the oven door and plug unit in.



STEP 2

Put food on pan, wire racks, or basket and insert into oven.

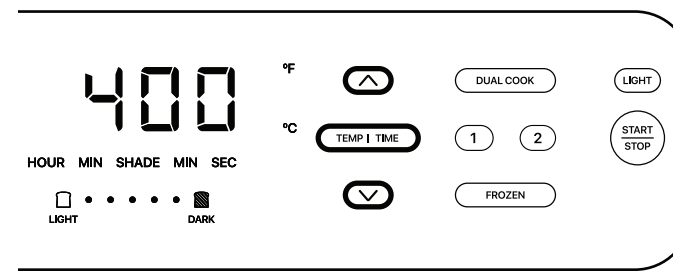


STEP 3

Select Cook Function.

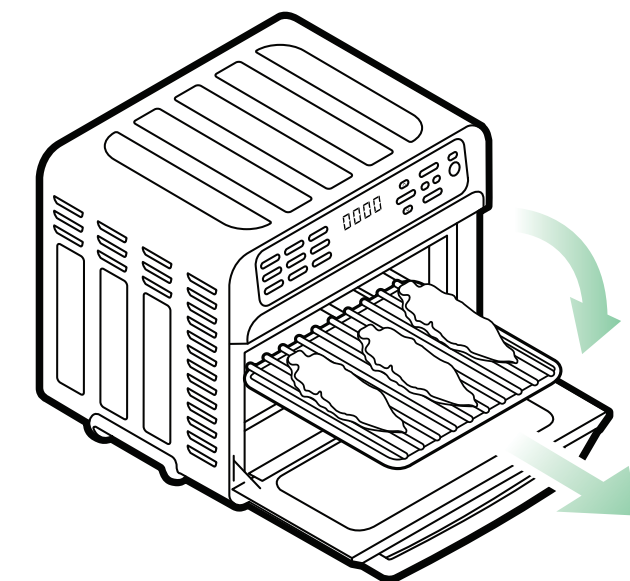
Set temperature and time by pressing the Temp/Time button then the up and down arrows. Set toast shade using just the up and down arrows. Press Start/Stop.

Press Start/Stop.



STEP 4

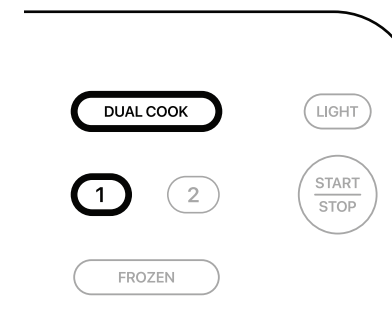
Cook until timer ends, then carefully remove food from unit, check for doneness, and serve.



HOW TO COOK WITH DUAL FUNCTION

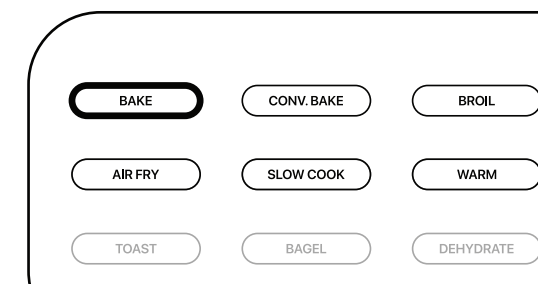
STEP 1

Press the Dual Cook button; it will turn blue as will the Number 1 button.



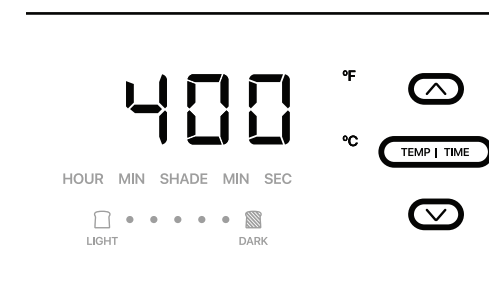
STEP 2

Select a function (choose from top two rows of function buttons) selected button will turn blue.



STEP 3

Set the desired time and temperature for the first cook function.



STEP 4

To set the second cook function, press the Number 2 button; it will turn blue.

STEP 6

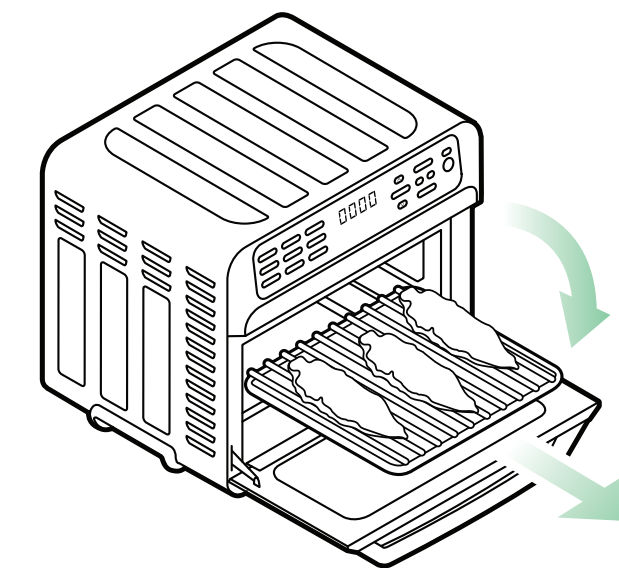
Set the desired time and temperature for the second cook function, then press the Start/Stop button. When the first function has finished, the unit will automatically switch to the second function.

STEP 7

Cook until timer ends.

The unit will beep, the word End will appear on the display, and the oven will turn off.

Open door and remove food.



STEP 5

Choose the cook function that you would like to finish with and then press that button; it will turn blue.