

CHEFMAN®

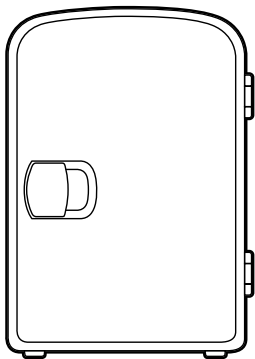
MAX CHILL

MINI
FRIDGE

USER GUIDE

- Safety Instructions
- Features
- Operating Instructions
- Cleaning and Maintenance
- Storage
- Terms and Conditions
- Warranty Registration

RJ48-SERIES-XC-4



COOKING FORWARD™

Welcome!

With its lightweight, space-saving design, the Max Chill Mini Fridge is the perfect size for the office, bedroom, or car. (It comes with power cords for any standard outlet and 12V car charger.) With a removable shelf, this Freon-free fridge can keep up to six 12-oz cans icy cold. It not only keeps cold things frosty, but with a flip of a switch, can keep hot items warm. Aside from food and drink, it's a great storage option for makeup and medicine as well. A convenient handle on top makes it a perfect on-the-go travel companion, too.

Before you use your new fridge, please take a moment to read all about it, including some important safety information.

Sincerely,

The Chefman® Team



READ ALL INSTRUCTIONS BEFORE USE

For your safety and continued enjoyment of this product, please read the instruction manual before use.

CONTENTS

- 1** Safety Instructions
- 5** Features
- 6** Operating Instructions
- 7** Cleaning and Maintenance
- 8** Storage
- 9** Terms and Conditions
- 11** Warranty Registration

SAFETY INSTRUCTIONS

IMPORTANT SAFEGUARDS

When using electrical appliances, basic safety precautions should always be followed, including the following:

1. Read all instructions.
2. To protect against electrical shock, do not immerse cable or plugs in water or other liquids.
3. Close supervision is necessary when this appliance is used by children or near children.
4. Unplug from outlet when not in use and before cleaning. Allow to cool prior to cleaning the product.
5. Do not operate any appliance with a damaged cable or plug, or after the appliance malfunctions or has been damaged in any manner. Should this occur, please contact Chefman® Customer Support.
6. Do not let cable hang over the edge of the table or worktop, or touch hot surfaces.
7. Do not place on or near a hot gas or electric burner, or in a heated oven.

SAFETY INSTRUCTIONS

IMPORTANT SAFEGUARDS

8. Always attach plug to appliance first, then plug power cable into the wall outlet. To disconnect, turn any controls to OFF, then remove plug from wall outlet.
9. Do not use appliance for other than its intended use.
10. When alternating between warm and cold functions, turn the switch to OFF first. After 2 minutes, turn the switch from COLD to WARM or vice versa.
11. When using in a car, disconnect the plug from the outlet when not in use or when the car is not running.
12. Allow adequate ventilation on all sides of the unit when in operation. Keep the fan free of obstructions.

SAVE THESE INSTRUCTIONS.

SAFETY INSTRUCTIONS

IMPORTANT SAFEGUARDS

WARNING: This appliance has a polarized plug (one blade is wider than the other). This plug is intended to fit into a polarized outlet only one way. If the plug does not fit fully into the outlet, reverse the plug. If it still does not fit, contact a qualified electrician. Do not attempt to modify the plug in any way or force it into the outlet. This could result in injury or electric shock.

SHORT CABLE INSTRUCTIONS

A short power-supply cable is provided to reduce the hazards of entanglement or tripping over a longer cable. Longer detachable power-supply cables or extension leads are available and may be used if care is exercised in their use. If a longer detachable power-supply extension lead is used:

1. The marked electrical rating of the extension lead should be at least as high as the electrical rating of the appliance.
2. The cable should be arranged so that it will not drape over the worktop or tabletop where it could be pulled on by children or tripped over.

SAFETY INSTRUCTIONS

IMPORTANT SAFEGUARDS

POWER CABLE SAFETY TIPS

1. Never pull or yank on the cable or the appliance.
2. To insert the plug, grasp it firmly and guide it into the outlet.
3. To disconnect the appliance, grasp the plug and remove it from the outlet.
4. Before each use, inspect the power cable for splits and/or abrasion marks. If any are found, please contact Chefman® Customer Support for assistance.
5. Never wrap the cable tightly around the appliance as this could place undue stress on the cable where it enters the appliance and cause it to fray and break.

DO NOT OPERATE APPLIANCE IF THE POWER CABLE SHOWS ANY DAMAGE OR IF APPLIANCE WORKS INTERMITTENTLY OR STOPS WORKING ENTIRELY.

*California Proposition 65:
(Applicable for California Residents only)*

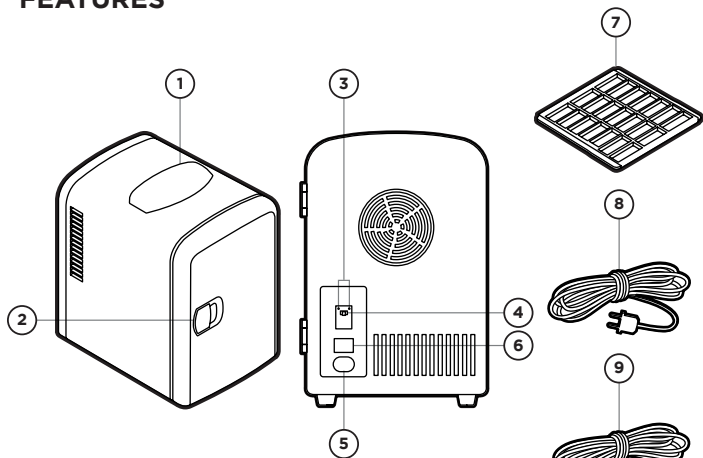


WARNING:
Cancer and Reproductive Harm -
www.P65Warnings.ca.gov.



Do not place the appliance on a cooktop or any other hot surface.

FEATURES



- | | |
|-----------------------------------|----------------------|
| 1. Carrying Handle | 6. AC Plug Outlet |
| 2. Door Latch | 7. Removable Shelf |
| 3. Red and Green Indicator Lights | 8. AC Cable and Plug |
| 4. WARM/COLD/OFF Switch | 9. DC Cable and Plug |
| 5. DC Plug Outlet | |

OPERATING INSTRUCTIONS

- When using your personal mini fridge in a car, plug it into the 12V power outlet. When using it at home or at the office, you can plug it into a wall outlet.
- Before using, first connect the cable to the mini fridge, then connect the other end to the power outlet.
- Once plugged in, turn the switch to COLD for cooling mode. The green LED light will illuminate. Or turn the switch to WARM for warming mode. The red LED light will illuminate.
- If alternating between WARM and COLD, turn the fridge off for 2 minutes before switching from one to the other.
- When the switch is turned to OFF, the mini fridge will function as an insulated box.
- For best results when cooling or heating items, refrigerate items before placing in mini fridge on cooling mode, or heat items before putting in warming mode.

CLEANING AND MAINTENANCE

- Wipe the outside of the mini fridge with a clean cloth.
- Wash shelves with warm soapy water and dry thoroughly. (Shelves are NOT dishwasher-safe.)
- Do not immerse mini fridge or power cords in water.
- **IMPORTANT:** In the COLD operation mode, the unit may develop frost that can lead to liquid condensation when switched OFF or to WARM. This is normal. Periodically wipe the interior surfaces with a dry cloth to ensure clean and dry operating conditions.

STORAGE

- Store the appliance in a cool, dry, clean place, out of reach of children and pets.
- Keep the packaging in order to transport the appliance or store the appliance when not in use.

TERMS AND CONDITIONS

Limited Warranty

RJ Brands, LLC d/b/a Chefman® offers a limited 1-year Warranty (the “Warranty”) available on sales through authorized distributors and retailers only. Please note that this Warranty becomes valid from the date of initial retail purchase and that the Warranty is non-transferable and applies only to the original purchaser.

This Warranty is void without proof of purchase within the United States and Canada. Please be aware that this Warranty supersedes all other warranties and constitutes the entire agreement between the consumer and Chefman®. Any changes to the Terms and Conditions of this Warranty must be in writing, signed by a representative of Chefman®. No other party has the right or ability to alter or change the Terms and Conditions of this Warranty.

We may ask you to please submit, via email, photos and/or video of the issue you are experiencing. This is to help us better assess the matter and possibly offer a quick fix. Photos and/or video may also be required to determine warranty eligibility.

We encourage you to register your product. Registering can make the Warranty process easier and can keep you informed of any updates or recalls on your product. To register, follow the directions on the Chefman® Warranty Registration page in the Chefman® User Guide. Please retain your proof of purchase even after registering. In the event that you do not have proof of your purchase date, we may declare your Warranty void or we may, at our sole discretion, apply the date of manufacture as the purchase date for purposes of this Warranty.

TERMS AND CONDITIONS

Limited Warranty

WHAT THE WARRANTY COVERS

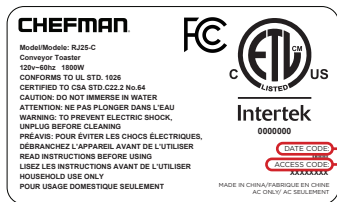
- **Manufacturer Defects** - Chefman® products are warranted against defects in material and workmanship, under normal household use, for a period of 1 year from the date of purchase when used in accordance with the directions listed in the Chefman® User Guide. If your product does not work as it should, please contact Customer Support at support@chefman.com so that we may assist you.

THIS WARRANTY DOES NOT COVER

- **Misuse** - Damage that occurs from neglectful or improper use of products, including, but not limited to, damage that occurs as a result of usage with incompatible voltage, regardless of whether the product was used with a converter or adapter. See Safety Instructions in the Chefman® User Guide for information on proper use of product;
- **Poor Maintenance** - General lack of proper care. We encourage you to take care of your Chefman® products so that you may continue to enjoy them. Please see Cleaning and Maintenance directions in the Chefman® User Guide for information on proper maintenance;
- **Commercial Use** - Damage that occurs from commercial use;
- **Altered Products** - Damage that occurs from alterations or modifications by any entity other than Chefman® such as the removal of the rating label affixed to the product;
- **Catastrophic Events** - Damage that occurs from fire, floods, or natural disasters; or
- **Loss of Interest** - Claims of loss of interest or enjoyment.

CHEFMAN® WARRANTY REGISTRATION

What do I need to register my product?



- Contact Information
- Model Number
- Proof of Purchase (online confirmation, receipt, gift receipt)
- Date Code
- Access Code

NOTE: Label depicted here is an example.

How do I register my product?

All you need to do is fill out a simple Chefman® registration form. You can easily access the form in one of the two ways listed below:

1. Visit chefman.com/register.
2. Scan the QR code to access site:



CHEFMAN® WARRANTY REGISTRATION

For product information

Please visit us at Chefman.com.

EXCEPT WHERE SUCH LIABILITY IS REQUIRED BY LAW, THIS WARRANTY DOES NOT COVER, AND CHEFMAN® SHALL NOT BE LIABLE FOR, INCIDENTAL, INDIRECT, SPECIAL, OR CONSEQUENTIAL DAMAGES, INCLUDING WITHOUT LIMITATION, DAMAGE TO, OR LOSS OF USE OF THE PRODUCT, OR LOST SALES OR PROFITS OR DELAY OR FAILURE TO PERFORM THIS WARRANTY OBLIGATION. THE REMEDIES PROVIDED HEREIN ARE THE EXCLUSIVE REMEDIES UNDER THIS WARRANTY, WHETHER BASED ON CONTRACT, TORT OR OTHERWISE.

Chefman® is a registered trademark of RJ BRANDS, LLC.
Cooking Forward™ is a trademark of RJ BRANDS, LLC.
Intertek® is a registered trademark of Intertek Group, PLC.

CHEFMAN



CHEFMAN.COM | @MYCHEFMAN

©CHEFMAN 2021