

Applications

Make	Model	Type	Year
Volvo	S60	GTDi T	2010-2014
	S80	GTDi T5	2009-2014
	V60	GTDi Turbo	2010-2014
	V70	T5	2009-2011
	XC60	Turbo	2009-2014

Engine Code

2.0	B4204T6, B4204T7
-----	------------------

Our products are designed to be used correctly and with care for the purpose for which they are intended. No liability is accepted by Sonic for incorrect use of any of our products, and Sonic cannot be held responsible for any damage to personnel, property or equipment when using the tools. Incorrect use will also invalidate the warranty.

If applicable, the applications database and any instructional information provided has been designed to offer general guidance for a particular tool's use and while all attention is given to the accuracy of the data no project should be attempted without referring first to the manufacturer's technical documentation (workshop or instruction manual) or the use of a recognised authority such as Autodata.

It is our policy to continually improve our products and thus we reserve the right to alter specifications and components without prior notice. It is the responsibility of the user to ensure the suitability of the tools and information prior to their use.

SONIC

equipment

Instructions

Engine Timing Kit Volvo Petrol Gtdi - 2.0



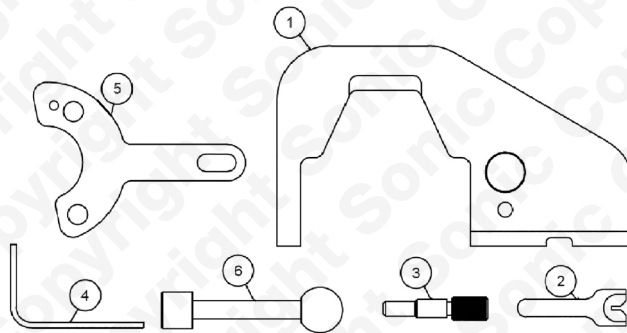
829080 - Engine Timing Kit

Description:

The 829080 is a 6 piece Engine Timing Kit designed for the Volvo 2.0 direct injection petrol engines found in Volvo vehicles from 2010. Developed to allow the Timing chain to be replaced whilst locking the crankshaft and camshafts in their correct timed positions. The 829080 also includes the special Volvo type crankshaft position sensor alignment tool.

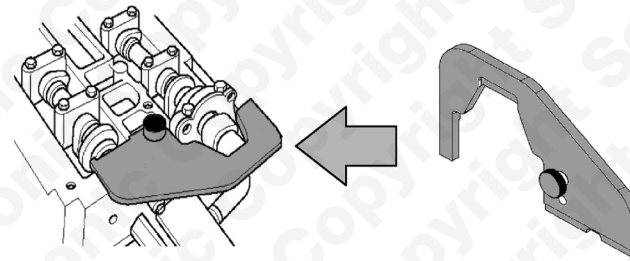
Components

Ref	Comp	OEM	Description
1	4880064	999 7405, 303-1504	Camshaft Alignment plate
2	4880290	999 7416	Crankshaft Position Sensor Alignment Tool
3	4880049	999 7406, 303-748	Crankshaft Locking Pin
4	4880249		3mm Tensioner Pin
5	4880289	999 7415	Pulley Setting Tool
6			Fixing for 5



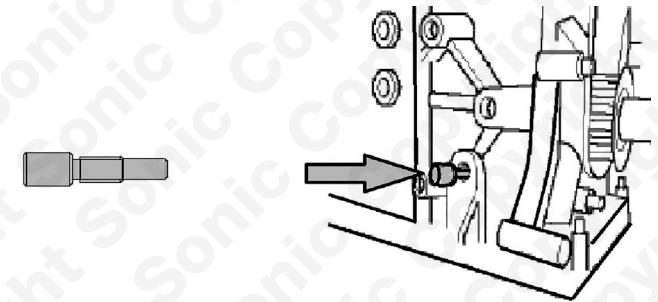
Instructions

Component 1 - Camshaft Alignment plate.

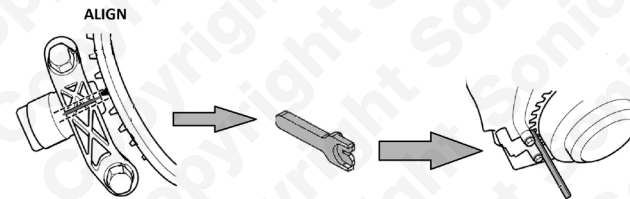


Component 3 - Crankshaft Locking Pin

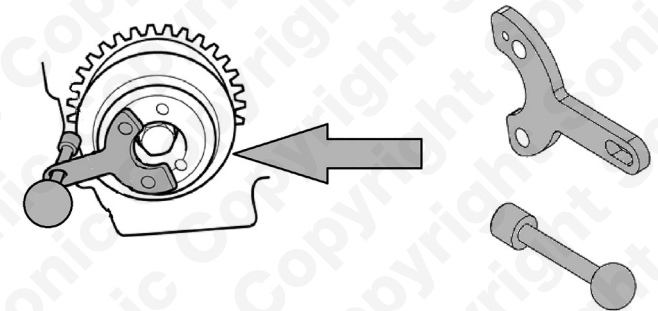
Use component 3 to set the crankshaft in its timed position. Turn the engine to just before TDC and fit 3 as shown. Turn the crankshaft until it contacts 3



Component 2 - Crankshaft Position Sensor Alignment Tool



Component 5 & 6 - Pulley Setting Tool



Instructions

The following instructions are for guidance only. Please refer to OEM derived data such as the vehicles manufactures own data or Autodata. The use of these engine timing tools is purely down to the user's discretion and Sonic cannot be held responsible for any damage caused what so ever.

