

Applications

Make	Model	Year
Seat	Cordoba	2002-2008
	Ibiza	2002-2015
	Toledo	2012-2015
Skoda	Fabia	2002-2007
	Fabia II	2007-2015
	Octavia II	2010-2013
	Praktik	2007-2015
	Rapid	2012-2015
	Rapid Spaceback	2013-2015
	Roomster	2006-2015
Volkswagen	Yeti	2009-2015
	Fox	2005-2012
	Polo	2002-2014
	Golf Plus	2005-2009
	Golf V	2004-2008
	Golf VI	2011-2013
	Golf VI Cabrio	2013-2015
	Jetta	2005-2009
	Passat	2005-2010
	Polo	2013-2014
Scirocco	2009-2016	
Touran	2003-2009	

Engine Code

6 Valve	AWY, BBM, BMD, CHFA, CHFB
12 Valve	AZO, BME, BXV, BZG, CBZA, CBZB, CEVA, CGPA, CGPB, CGPC

Our products are designed to be used correctly and with care for the purpose for which they are intended. No liability is accepted by Sonic for incorrect use of any of our products, and Sonic cannot be held responsible for any damage to personnel, property or equipment when using the tools. Incorrect use will also invalidate the warranty.

If applicable, the applications database and any instructional information provided has been designed to offer general guidance for a particular tool's use and while all attention is given to the accuracy of the data no project should be attempted without referring first to the manufacturer's technical documentation (workshop or instruction manual) or the use of a recognised authority such as Autodata.

It is our policy to continually improve our products and thus we reserve the right to alter specifications and components without prior notice. It is the responsibility of the user to ensure the suitability of the tools and information prior to their use.

SONIC

equipment

Instructions

Engine Timing Kit VAG Petrol 3 cylinder 6V/12V - 1.2

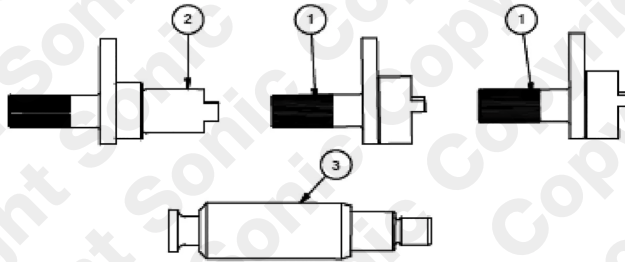


829070 - Engine Timing Kit

Description:
The 829070 kit provides the essential timing tools required when setting the engine timing on the belt driven 3 cylinder 1.2 six valve and twelve valve petrol engines found across the VAG ranges.

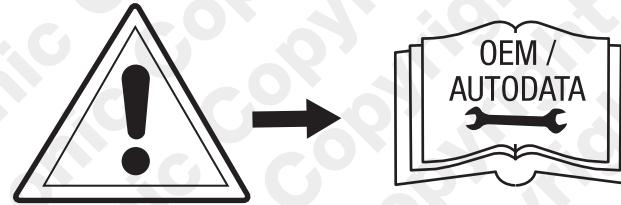
Components

Ref	Comp	OEM	Description
1	4880192	T10123	Camshaft Alignment Tools X2 (12V)
2	4880194	T10120	Camshaft Alignment Tool (6V)
3	4880193	T10121	Crankshaft Locking Tool (6V/12V)



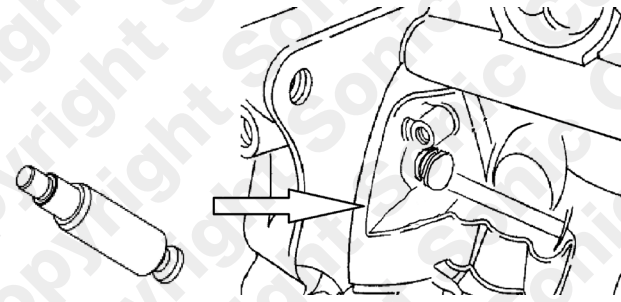
Instructions

The following instructions are for guidance only. Please refer to OEM derived data such as the vehicles manufactures own data or Autodata.
The use of these engine timing tools is purely down to the user's discretion and Sonic cannot be held responsible for any damage caused what so ever.

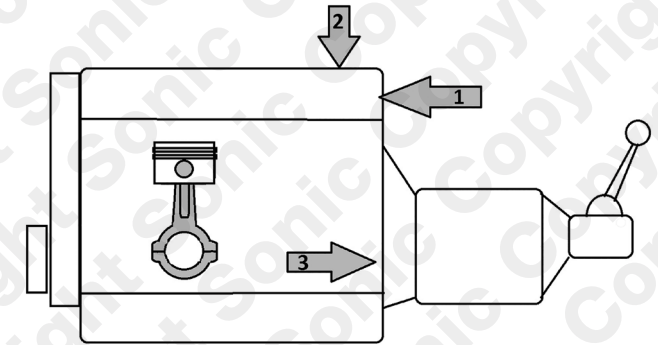
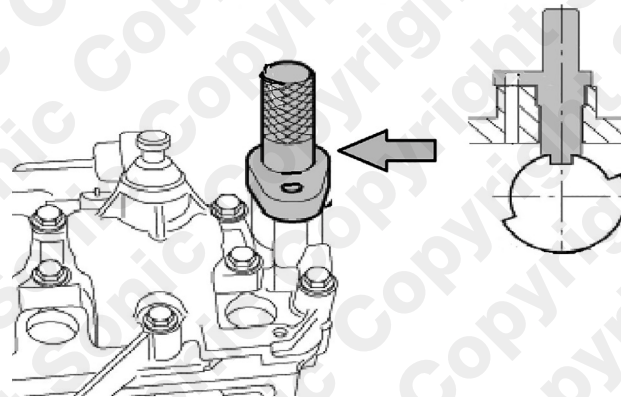


Warning: do not use components 1 or 2 as holding tools when loosening or tightening the camshaft sprockets
NOTE: Align the crankshaft with number 1 cylinder at top dead centre.

For both 6 and 12 valve engines lock the crankshaft in its timed position by fitting component 3 in place of the TDC sensor.



For 6 valve engines only lock the camshaft in position with tool 2.



For 12 valve engines only lock both camshafts with components 1.

