

# TONE

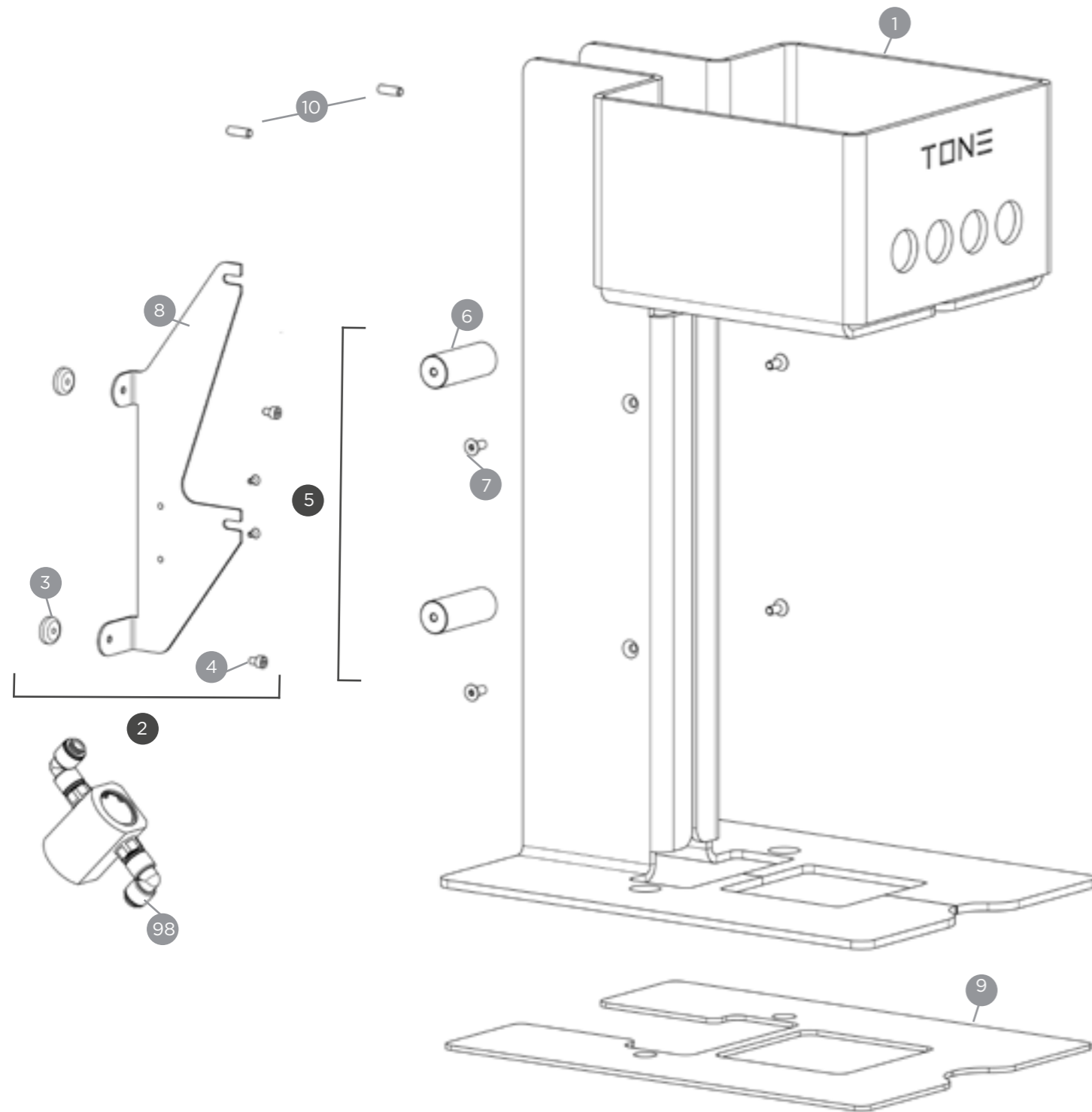
ENERGY EFFICIENT, INTELLIGENTLY DESIGNED TECHNOLOGY  
COMMITTED TO BREWING PERFECTION!



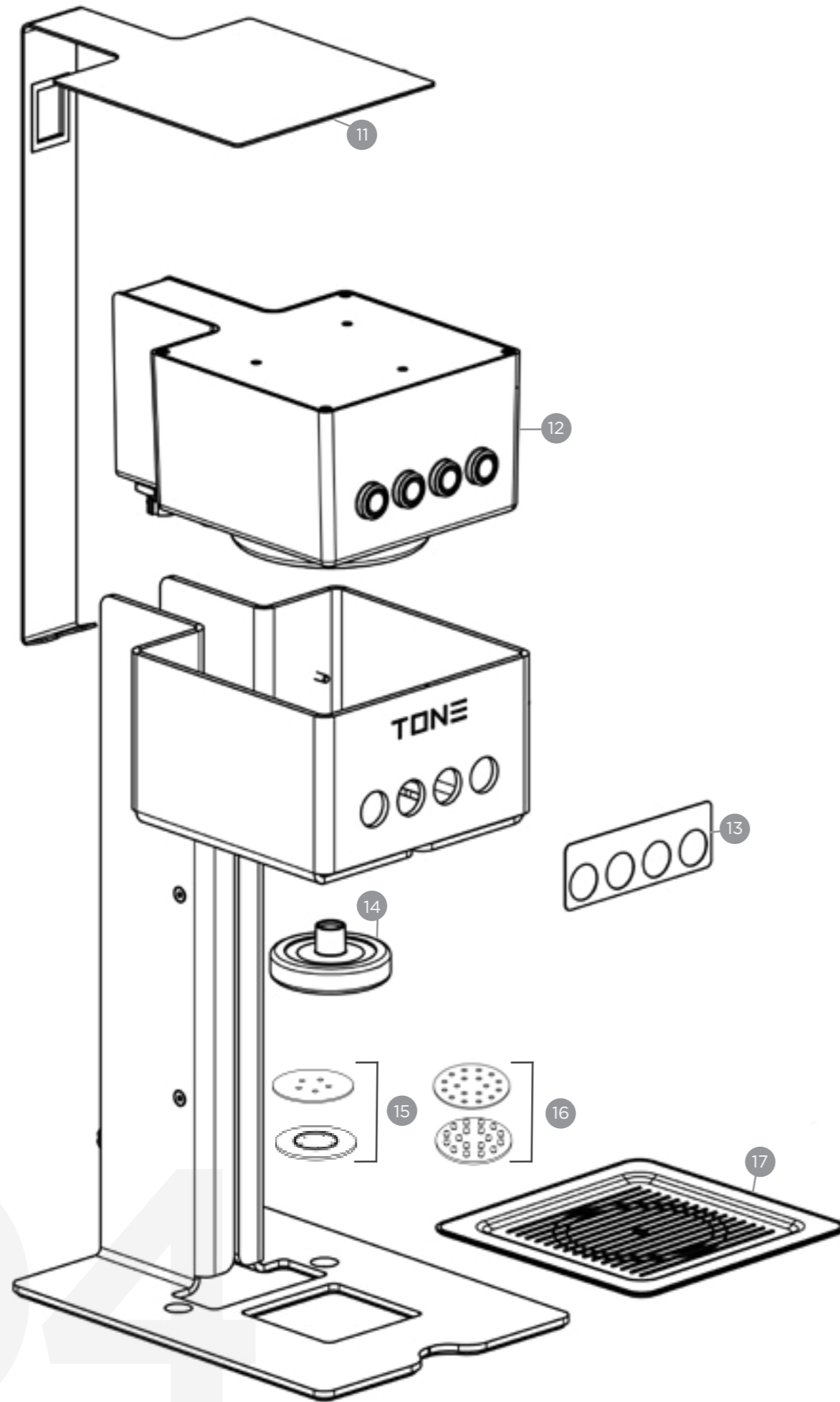
# TOUCH 03



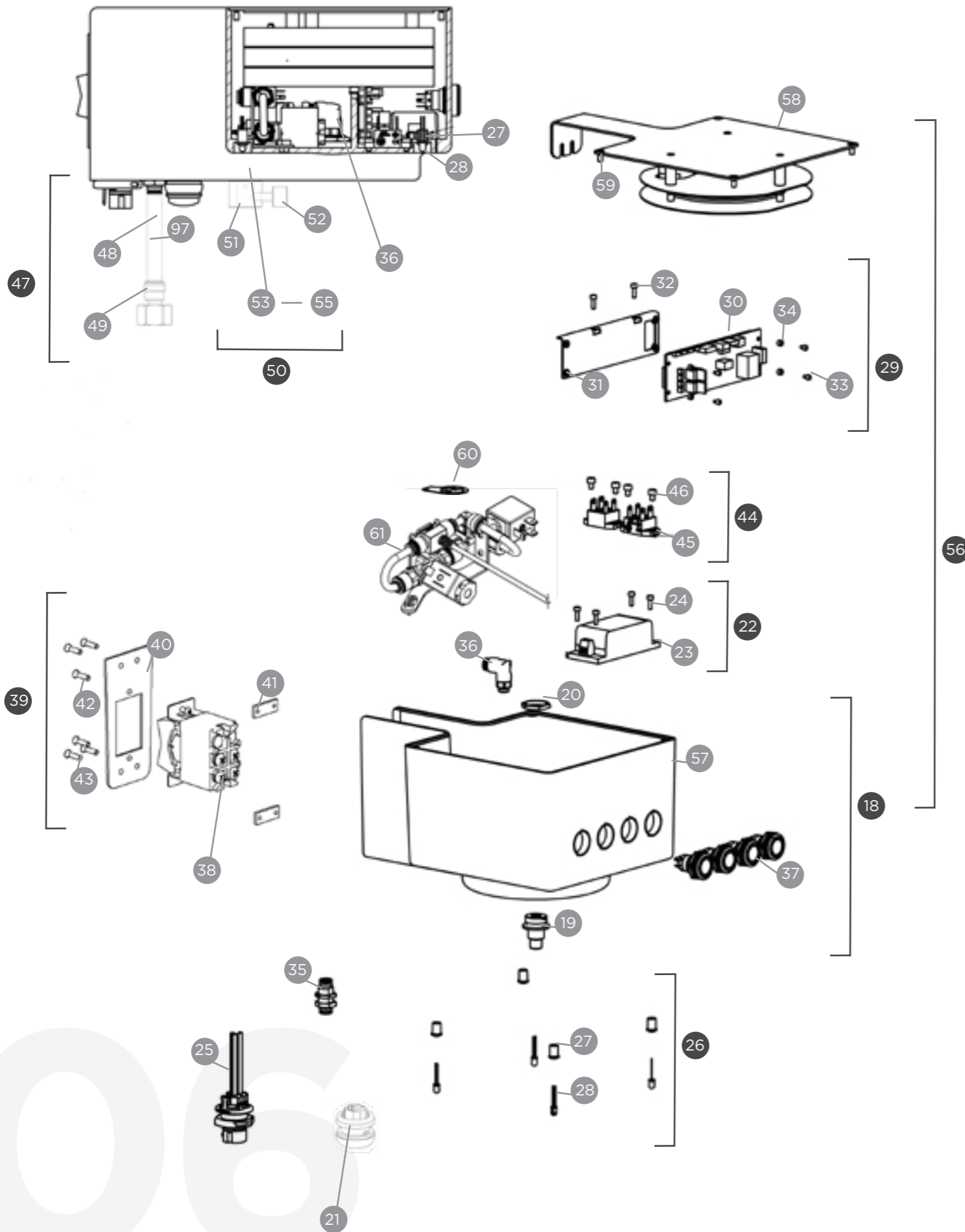
STOP  
WASTING  
ENERGY



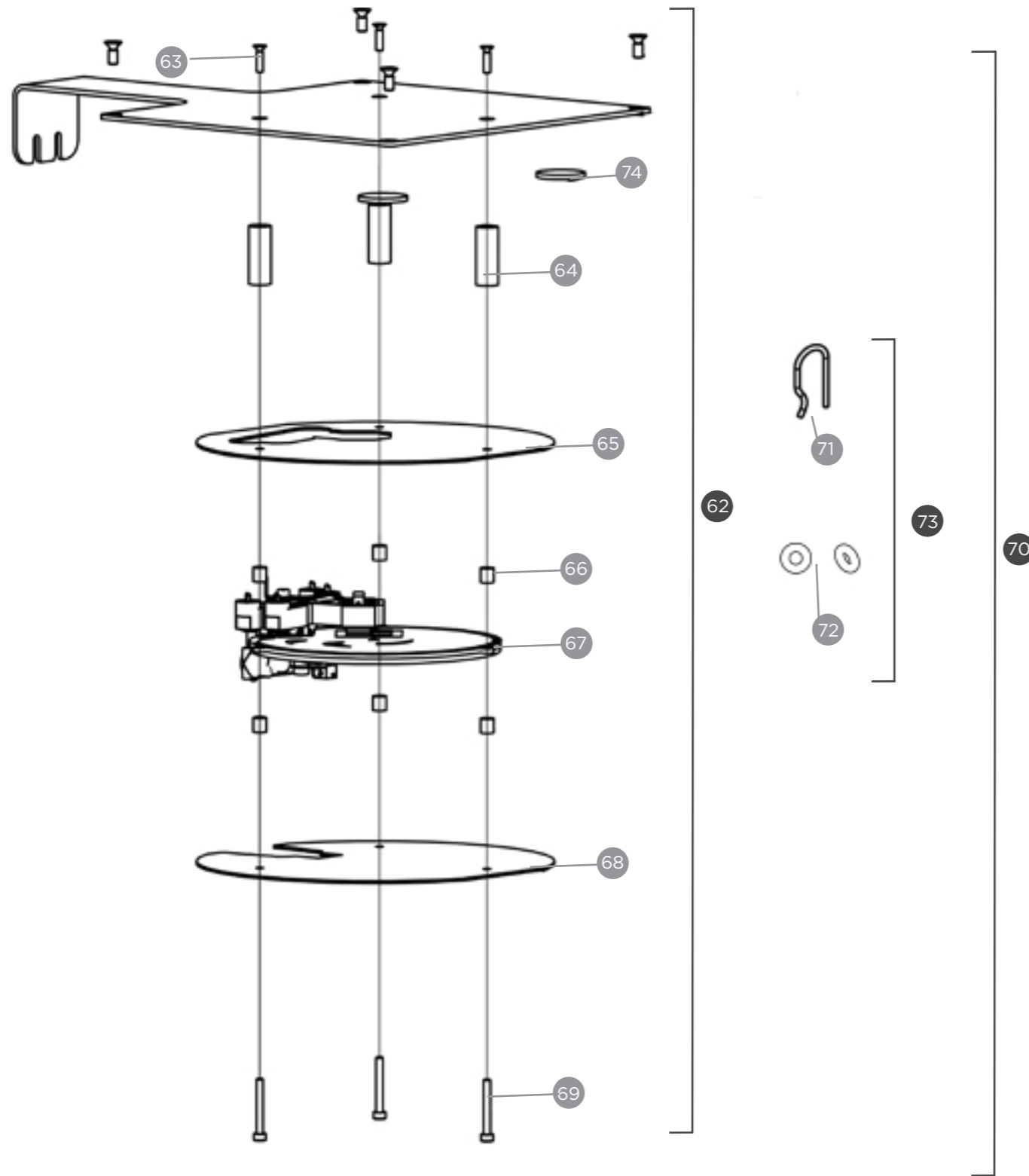
Pos.	Article No.	Description
1	TO-306220_cw	BASE FRAME WHITE
1	TO-306220_cb	BASE FRAME BLACK
2	TO-200558	SET OF MAGNETS Ø16
→ 3		2x MAGNET Ø16
→ 4		2x CYLINDER SCREW M4X6
5	TO-200559	SET OF STABILIZER
→ 6		2x STABILIZER
→ 7		4x COUNTERSUNK M5X12
8	TO-303580_c	BRACKET
9	TO-303918	ANTISLIPMAT PLATE
10	TO-200588	4x GRUB SCREW M5X16
98	TO-200442	DESCALING VALVE INCL. FITTINGS + 2 SCREWS M3X6 (PAGE 12/13)



Pos.	Article No.	Description
11	TO-200423	COVER GREY (WHITE)
	→	COVER GREY
	→	WHITE FRAME (MAIN SWITCH)
11	TO-200560	COVER GREY (BLACK)
	→	COVER GREY
	→	BLACK FRAME (MAIN SWITCH)
11	TO-200561	COVER WHITE (BLACK)
	→	COVER WHITE
	→	BLACK FRAME (MAIN SWITCH)
11	TO-200562	COVER BLACK (WHITE)
	→	COVER BLACK
	→	WHITE FRAME (MAIN SWITCH)
12	TO-200421	COMPLETE BLACKBOX (WITHOUT SHOWER HEAD) 230V
12	TO-200551	COMPLETE BLACKBOX (WITHOUT SHOWER HEAD) 200V
13	TO-303555	MAGNETIC BOARD GREY
13	TO-303557	MAGNETIC BOARD WHITE
13	TO-303578	MAGNETIC BOARD BLACK
14	TO-200563	SHOWER HEAD (18+5 HOLES SCREEN INCLUDED) COMPLETE
15	TO-200432	5 HOLES SHOWER SCREEN
16	TO-200480	18 HOLES SHOWER SCREEN
17	TO-303391_B	DRIP TRAY

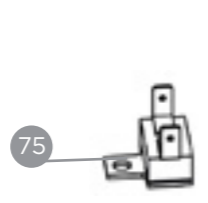


Pos.	Article No.	Description
18	TO-200564	ADPATER SHOWER HEAD
→ 19		SHOWER HEAD ADAPTER
→ 20		LOCK NUT M20X1.5
21	TO-650301	ETHERNET CONNECTION
22	TO-200565	TRANSFORMER
→ 23		TRANSFORMER
→ 24		4x CYLINDER SCREW M3X10
25	TO-630520	ROUND PLUG CONNECTOR / ON DEVICE
26	TO-200566	LED SET
→ 27		4x LED HOLDER
→ 28		4x LED WHITE
29	TO-200567	PCB UNIT COMPLETE
→ 30		PRINTED CIRCUIT BOARD
→ 31		BOARD HOLDER
→ 32		2x CYLINDER SCREW M3X10
→ 33		4x CYLINDER SCREW M2.5X8
→ 34	TO-200592	4x DISTANCE BUSH Ø5X2.7X3
35	TO-550256	BULKHEAD CONNECTION
36	TO-530105	PUSH-IN FITTING 90_6 1-8
37	TO-650299	BUTTON
38	TO-650302	MAINSWITCH
39	TO-200568	SMALL PARTS SET FOR MAIN SWITCH
→ 40		REAR PLATE FOR MAIN SWITCH
→ 41		2x LUG FOR REAR PLATE
→ 42		4x COUNTERSUNK M3X8
→ 43		2x COUNTERSUNK M3X12
44	TO-200569	SOLIDSTATE RELAIS SET
→ 45		2x SOLIDSTATE RELAIS
→ 46		4x CYLINDER SCREW M4X6
47	TO-200582	WATER HOSE SET
→ 48		WATER HOSE (2M)
→ 49		PUSH-IN FITTING 3/8"-6MM
→ 97		CHECK VALVE INCL. FILTER, Ø6MM PUSH-IN
50	TO-200571	CENTERING SLEEVE FOR BBH
→ 51		CENTERING SLEEVE
→ 52		SCREW RIMMED M5X12
→ 53		WASHER M14X2.5
→ 54		NUT M14X1.5
→ 55		PIN Ø1.5X6MM
56	TO-200572	BLACKBOX HOUSING INCL. LID
→ 57		BLACKBOX CAST
→ 58		BLACKBOX LID
→ 59		4x COUNTERSUNK M4X10
60	TO-303571_B	GUARD PLATE
61	TO-200418_D	VALVE NODE COMPLETE

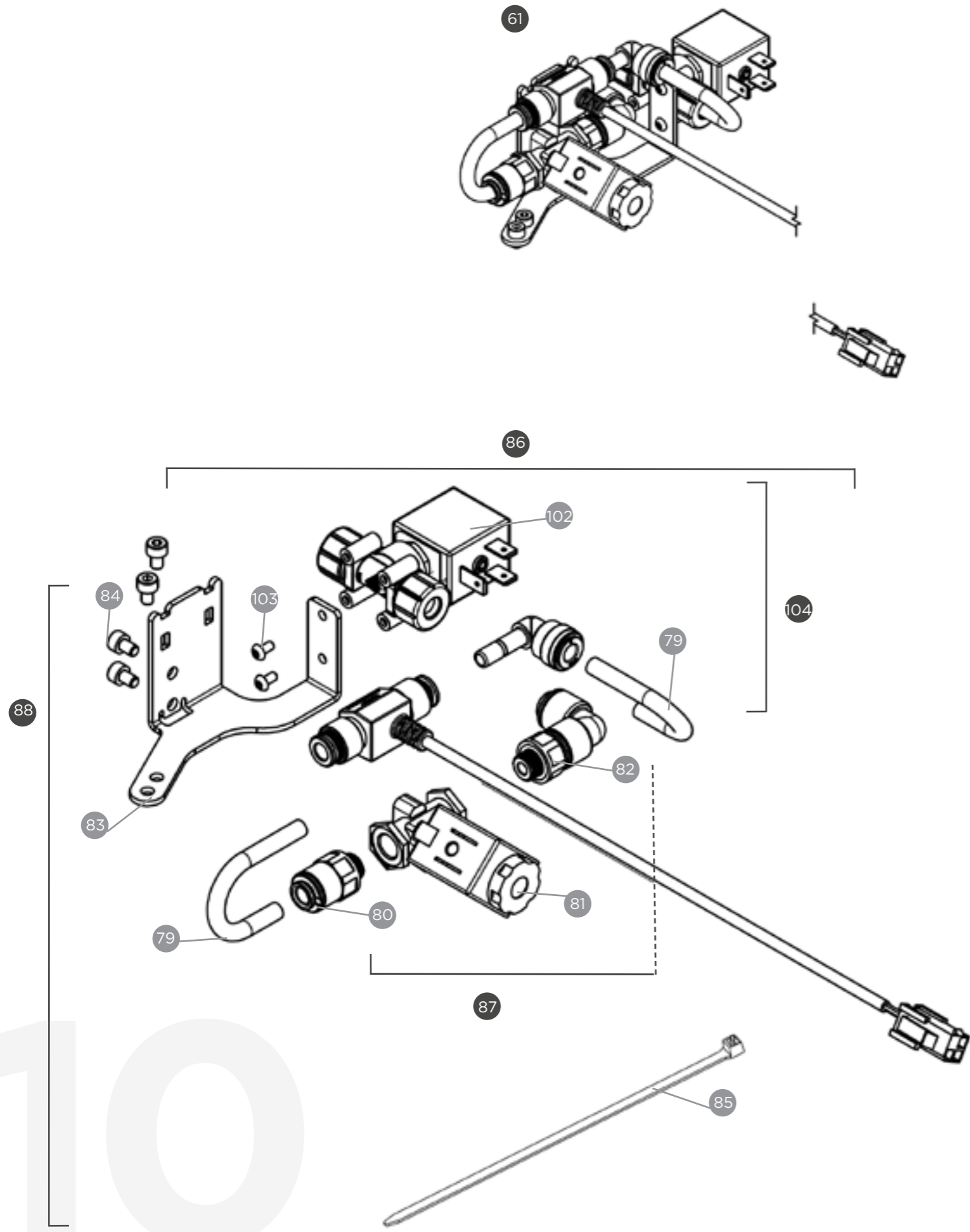


Pos.	Article No.	Description
62	TO-200573	FTH HEATING ELEMENT UNIT (230V)
62	TO-200574	FTH HEATING ELEMENT UNIT (200V Japan)
→ 63		3x COUNTERSUNK M3x12
→ 64		3x DISTANCE BUSH M3 Ø10/26.5
→ 65		METAL SHEET 2 FTH
→ 66		6x DISTANCE BUSH M3 Ø6/6.5
→ 67	TO-600193	FTH HEATING ELEMENT 230V
→ 67	TO-600264	FTH HEATING ELEMENT 200V JAPAN
→ 68		METAL SHEET 2 FTH
→ 69		3x CYLINDER SCREW M3x25
70	TO-200575	SMALL PART SET FOR FTH
→ 63		3x COUNTERSUNK M3x12
→ 64		3x DISTANCE BUSH M3 Ø10/26.5
→ 66		6x DISTANCE BUSH M3 Ø6/6.5
→ 69		3x CYLINDER SCREW M3x25
→ 71		4x CLIP FERRULE D6 FTH
→ 72		4x O-RING Ø6x2 FTH
73	TO-200590	SET FERRULE AND O-RING
→ 71		4x CLIP FERRULE D6 FTH
→ 72		4x O-RING Ø6x2 FTH
74	TO-200576	2x DISCMAGNET Ø20x1.5 (FROM SERIAL-NR. 00823 ONWARDS)
75	TO-200586	4x FUSE FTH
76	TO-550240	10x O-RING NTC THERMOSTAT

08

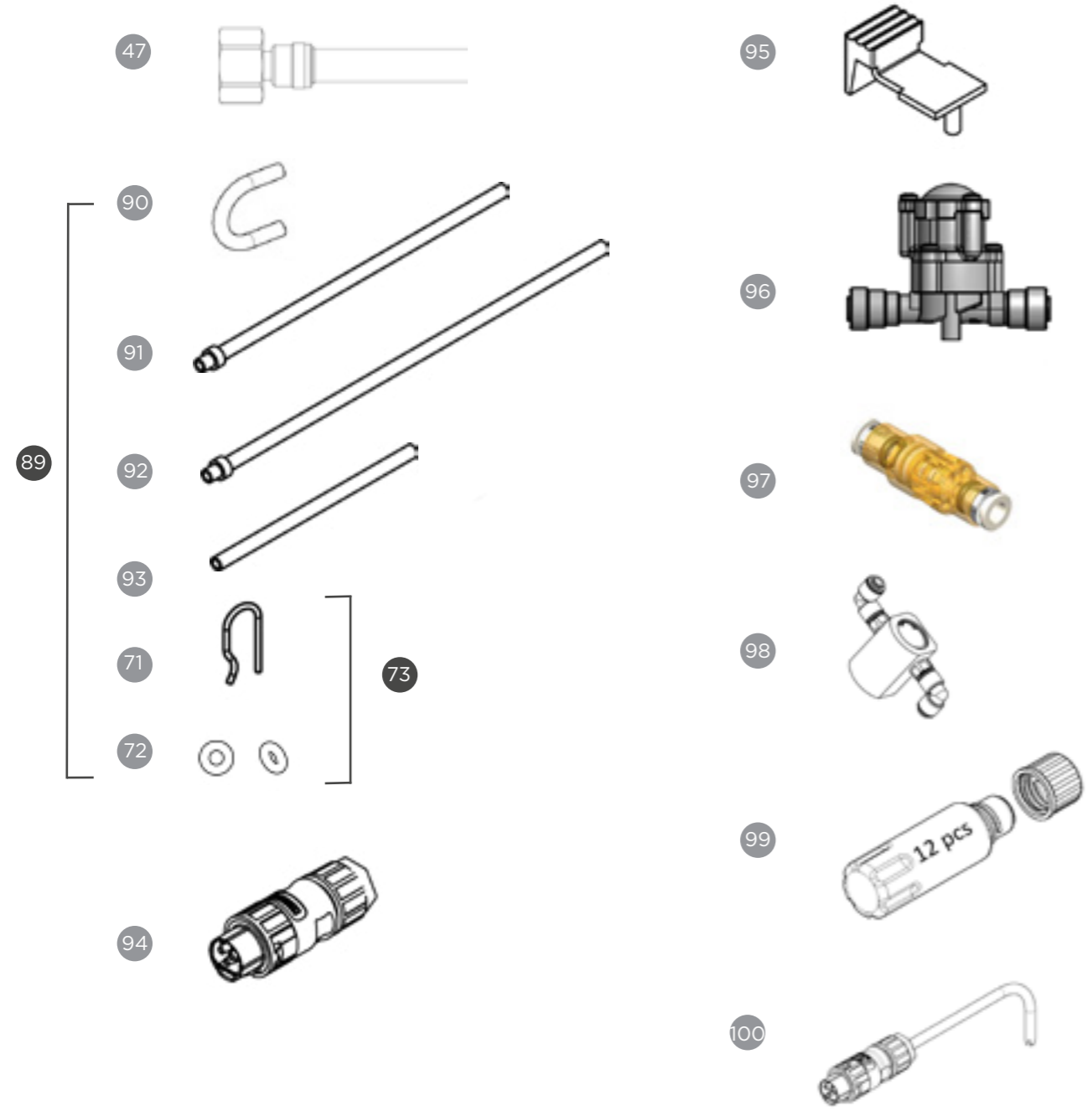


09



Pos.	Article No.	Description
61	TO-200418_D	VALVE NODE COMPLETE
→ 77		PUSH-IN ELBOW FITTING Ø6
→ 78		FLOWMETER
→ 79		2x PIPE BEND
→ 80		PUSH-IN FITTING Ø6
→ 81		PROPORTIONAL VALVE
→ 82		PUSH-IN ELBOW FITTING G 1/8 Ø6
→ 83		VALVEHOLDER
→ 84		4x CYLINDER SCREW M4X6
→ 85		2x CABLE STRAP
→ 102		SHUT-OFF VALVE
→ 103		2X CYLINDER SCREW M3X5
86	TO-200577	FLOWMETER UNIT COMPLETE
→ 77		PUSH-IN ELBOW FITTING Ø6
→ 78		FLOWMETER
→ 79		PIPE BEND
→ 85		2x CABLE STRAP
87	TO-200578	PPV UNIT COMPLETE
→ 80		PUSH-IN FITTING Ø6
→ 81		PROPORTIONAL VALVE
→ 82		PUSH-IN ELBOW FITTING G 1/8 Ø6
88	TO-200579	VALVEHOLDER COMPLETE
→ 83		VALVEHOLDER
→ 84		4x CYLINDER SCREW M4X6
→ 85		2x CABLE STRAP
104	TO-200611	SHUT-OFF VALVE COMPLETE
→ 79		PIPE BEND
→ 102		SHUT-OFF VALVE
→ 103		2X CYLINDER SCREW M3X5





Pos.	Article No.	Description
47	TO-200582	WATER HOSE SET
→ 48		WATER HOSE (2M)
→ 49		PUSH-IN FITTING 3/8"-6MM
→ 97		CHECK VALVE INCL. FILTER, Ø6MM PUSH-IN
89	TO-200580	PIPE SET
→ 90		PIPE BEND
→ 91		PIPE FTH
→ 92		PIPE SHOWER
→ 93		PIPE SUPPLY
→ 71		4x CLIP FERRULE D6 FTH (SET POS. 73 PAGE 09)
→ 72		4x O-RING Ø6x2 FTH (SET POS. 73 PAGE 09)
94	TO-630521	CABLE PLUG / SOCKET CONNECTOR
95	TO-630525	RELEASE LEVER BLUE (TO-630521)
96	TO-530162	PRESSURE REDUCER R.P.E Ø6MM PUSH-IN OUTPUT 3 BAR
97	TO-530181	CHECK VALVE INCL. FILTER, Ø6MM PUSH-IN
98	TO-200442	DESCALING VALVE INCL. FITTINGS
99	TO-200591	TONÉ GREEN CLEAN (8x12 BOTTLES)
100	TO-200583	POWER CABLE INCL. PLUG CONNECTOR AND RELEASE LEVER (UL / FOR USA)
100	TO-200608	POWER CABLE INCL. PLUG CONNECTOR AND RELEASE LEVER (CB / STANDARD)
101	TO-630564	CABLE HARNESS

# TONE

TONE Kaffeemaschinen AG  
Kasernenstrasse 5  
3600 Thun  
Switzerland

+41 52 620 06 06  
contact@tone-swiss.com  
www.tone-swiss.com



## CLAIM REPORT

We are sorry that you have an issue with one of our products. In order to help you and solve the issue we need you to fill in the claim report.