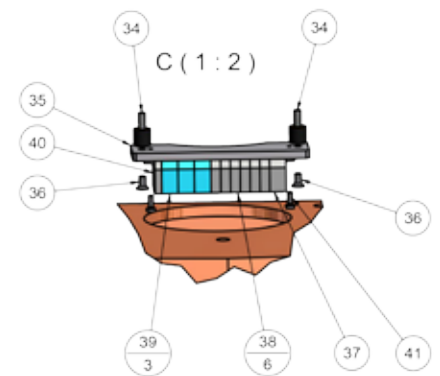
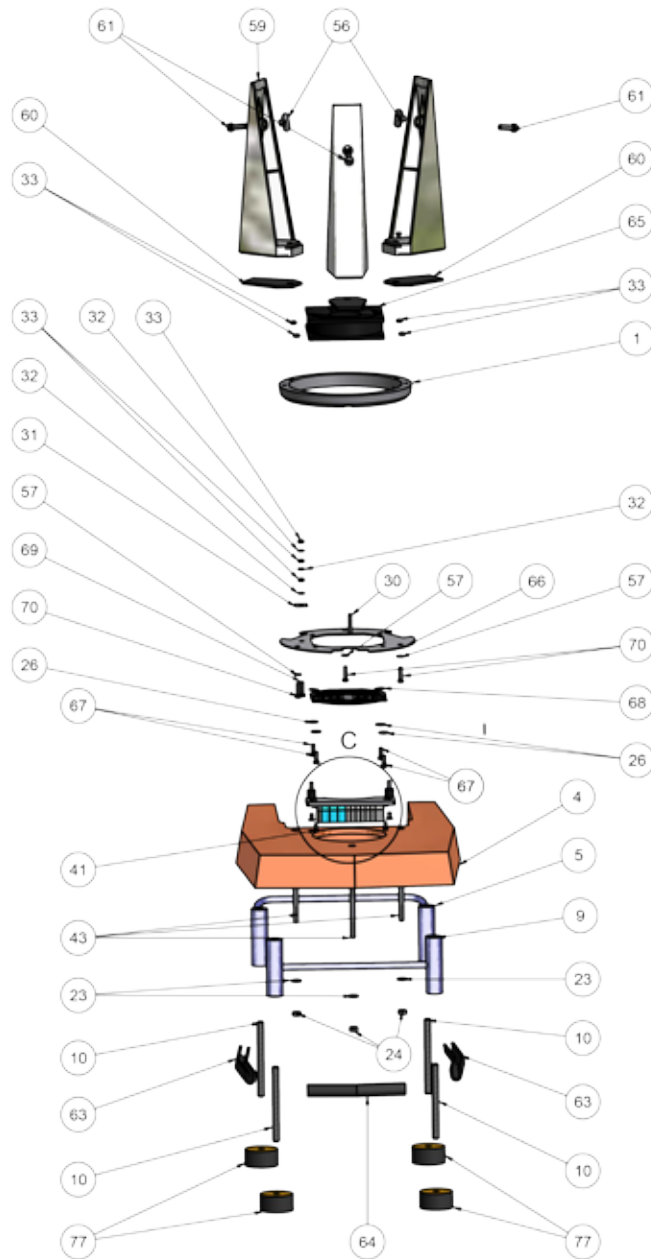


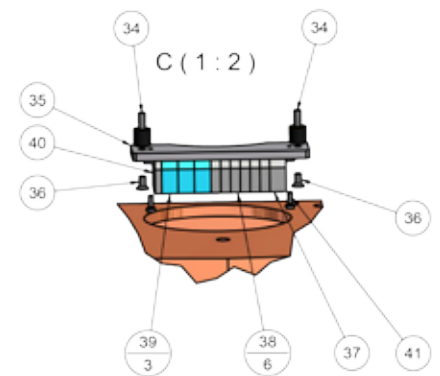
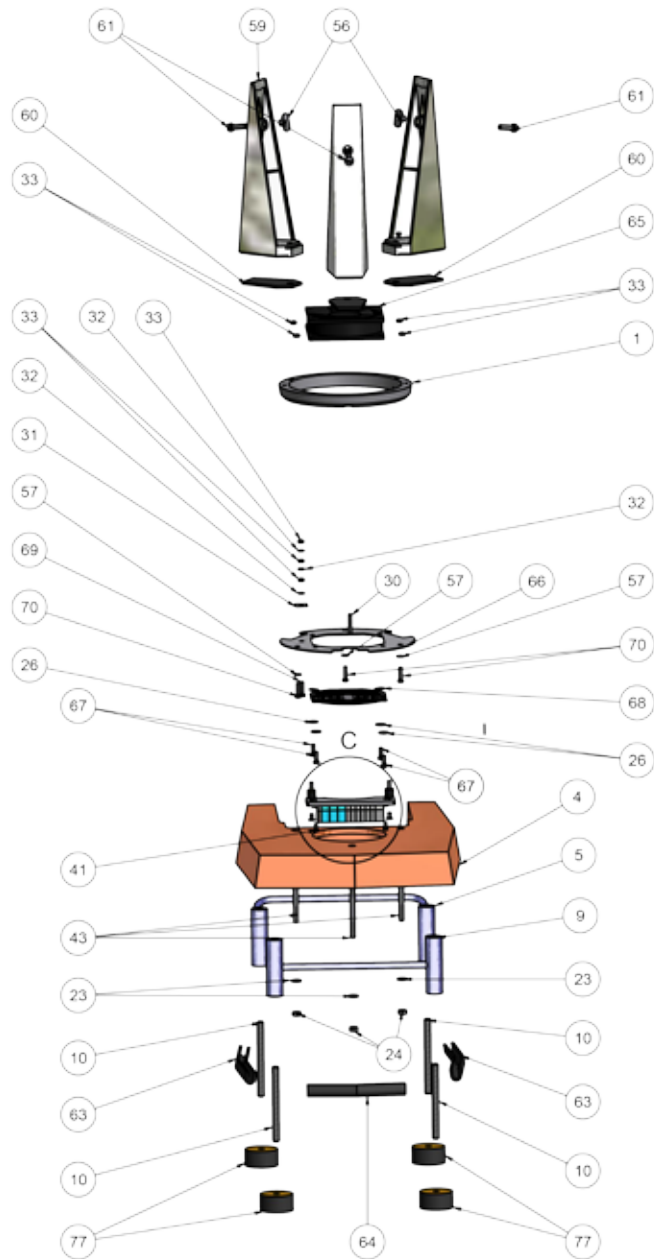
Valid from 12th September 2016
Supersedes all previously issued spare parts lists

Subject to change without prior notice.



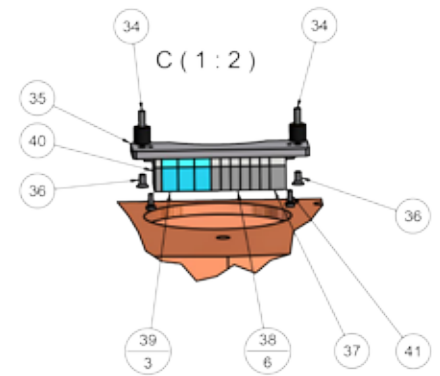
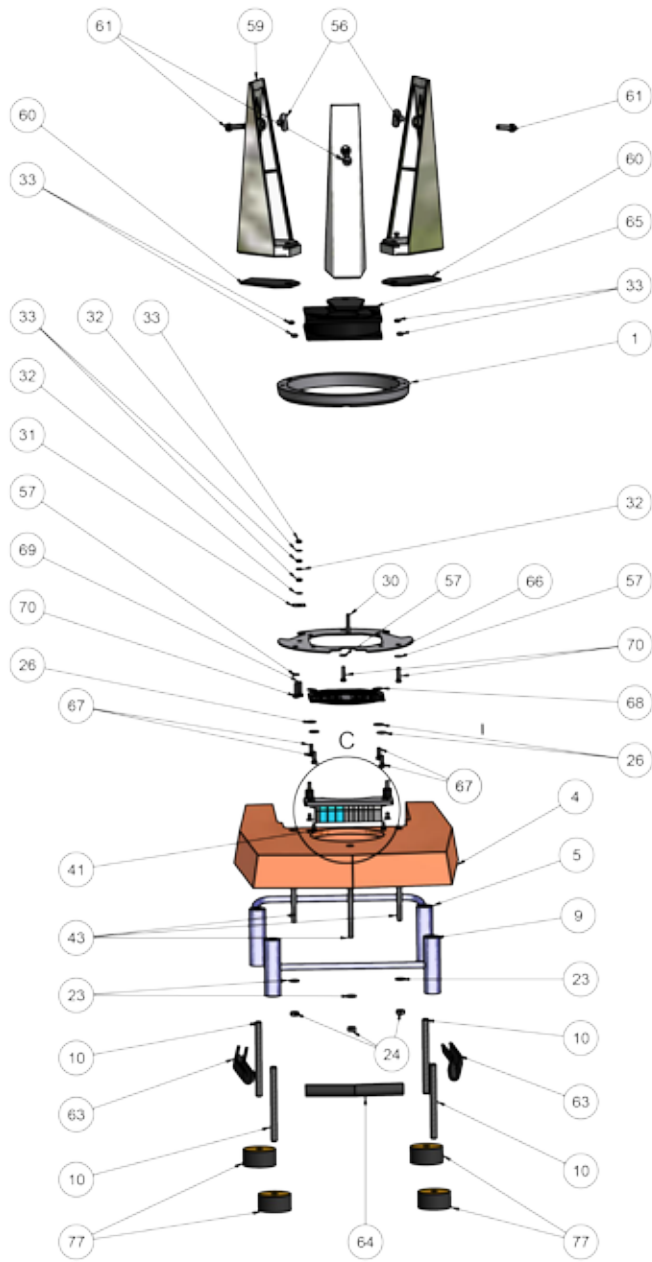
Model: VTA6S HMVC - 208V 60Hz 3~

ARTICLE NO.	DRAWING NO.	DESCRIPTION
300865	1	Pressure ring St.-tube
307797	4	Base plate VTA8S HMVC
307553	5	Base extension front VTA6S HMVC
307554	9	Base extension back VTA6S HMVC
307707	10	Threaded bolt DIN976B M8x93 steel
305517	23	Spring ring DIN127 A6 Gal Zn
305544	24	Hexagon nut EN24 032 (DIN934) M6 8 gal Z
301420	26	Washer ISO7093 DIN9021-M4 verz
308432	30	Threaded pin ISO4766 DIN551-M4x25 14H
301876	31	Sign „protective earth“ alu shield print
251527	32	Spring washer M4 DIN 127 B verz
305542	33	Hex nut ISO4032 DIN934-M4 gal zn
302740	34	Rubber-metal foot 10x10 NBR 55, M4



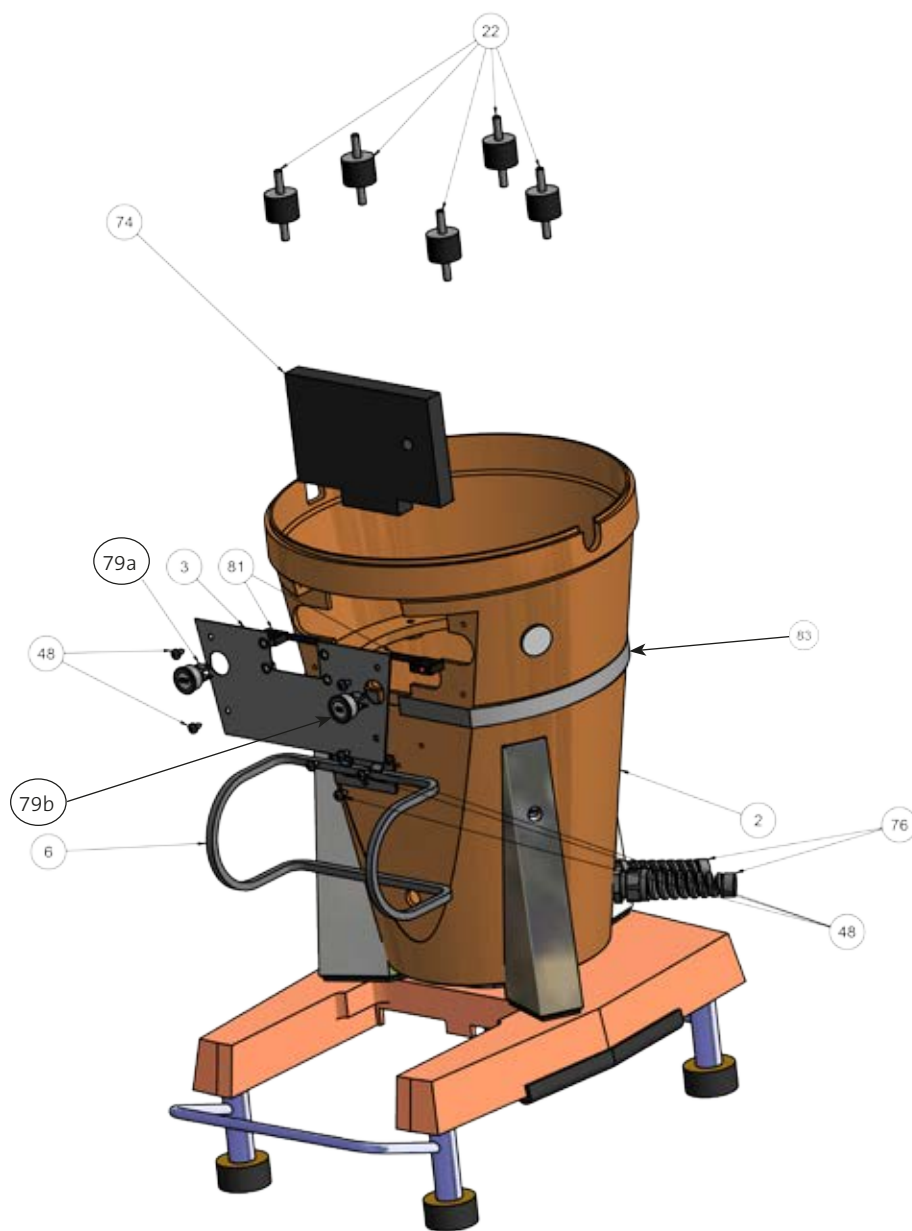
Model: VTA6S HMVC - 208V 60Hz 3~

ARTICLE NO.	DRAWING NO.	DESCRIPTION
307784	35	Terminal block VTA6S HMVC
301374	36	Counter sunk screw DIN 963-M4x8-4.8 verz
306290	37	4-conductor end terminal block grey
306291	38	2-conductor middle terminal block grey
306292	39	4-conductor middel terminal block blue
306294	40	Clip for plate 4mm
301394	41	Cylinder screw DIN84-M3x8-4.8 ZN
301522	43	Locking screw M6 x 55/67 DIN940 #8.8
301526	56	L-weld nut DIN 1624 M6 x 8.5 St.bl
305647	57	Washer DIN 125 A-4-verz
300422	59	Foot chromed 104
302730	60	Spacer piece 46x68x3 rubber black
305621	61	Cylinder pin DIN7 3m6x24 A2



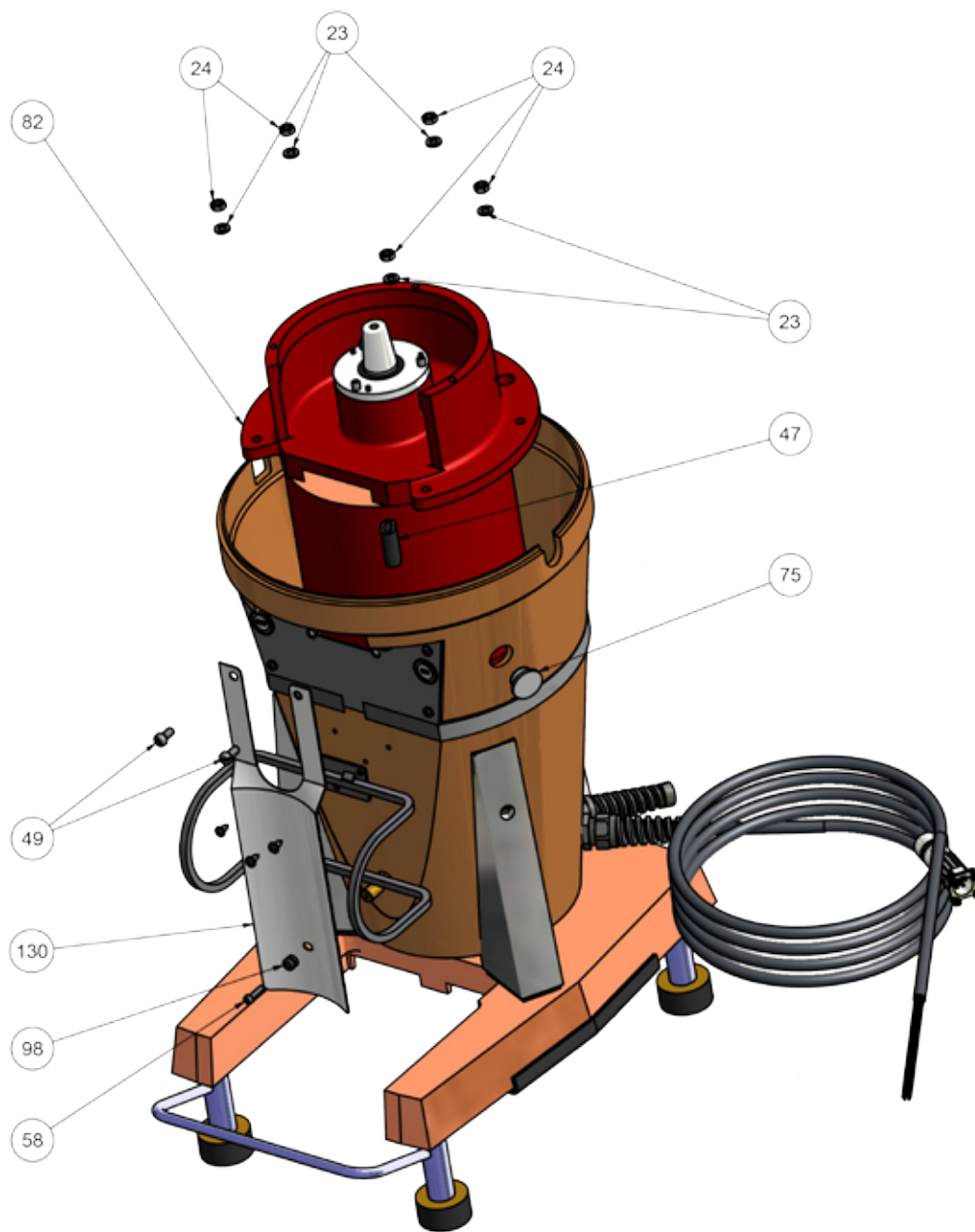
Model: VTA6S HMVC - 208V 60Hz 3~

ARTICLE NO.	DRAWING NO.	DESCRIPTION
302760	63	Edge protective strip, black, 180mm
302759	64	Edge protective strip, black, 120mm
305859	65	Fan 230V / 50/60Hz 92x92x25 Type 3956
305864	66	Sheet for fan 3E 1043 for fan 92x92
250820	67	Cylinder Head Screw DIN84 M4x12 A2
305860	68	Protective grid LZ23-1 for fan 92x92
301324	69	Cylinder screw DIN84 M4x16
301414	70	Pan head screw DIN85 M4x16 4.8 VZ
307706	77	Rubber-metal foot 40x20 M8x7 VTA(high)



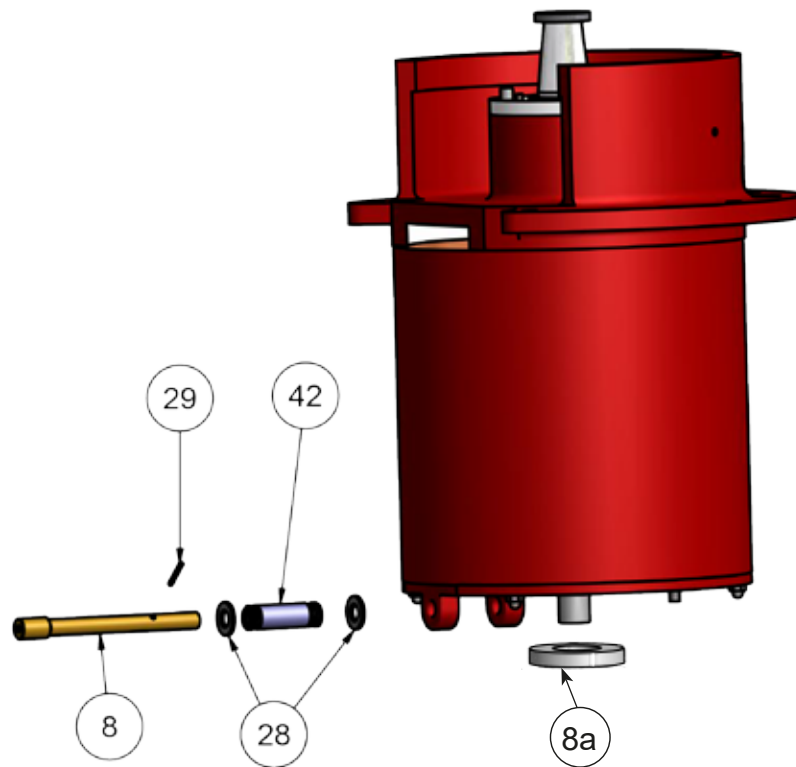
Model: VTA6S HMVC - 208V 60Hz 3~

ARTICLE NO.	DRAWING NO.	DESCRIPTION
310442	2	Lower casing VTA6S HMVC for switches
308664	3	Cover plate VTA6S HMVC vandalism safe
307522	6	Bag guide VTA6S HMVC nirosta
302720	22	Shock absorbers VTA black oil-resistant
305571	48	Oval head screw DIN 7981 C 4,2x9,5 H gal
302817	74	Spout sealing gasket Hannosch. HW9, Bl10
301231	76	Cable gland PG13,5 w. bend protection
309770	79a	Push button MSM 19 (vand.prot.) red
309769	79b	Push button MSM 19 (vand.prot.) green
308600	81	Push element IP76 (molded)) for Button
301859	83	Decor-foil silver sheet 750x15 mm



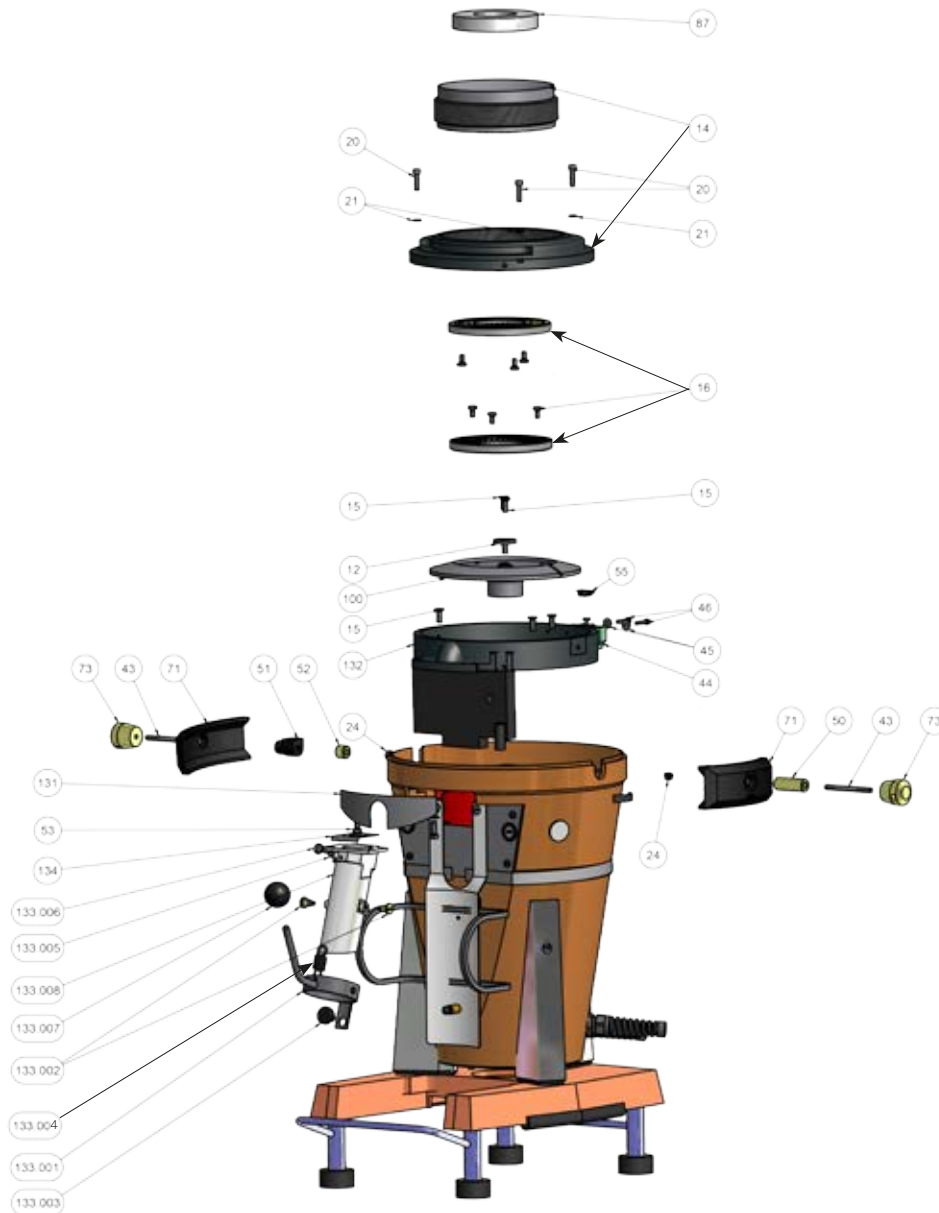
Model: VTA6S HMVC - 208V 60Hz 3~

ARTICLE NO.	DRAWING NO.	DESCRIPTION
305517	23	Spring ring DIN127 A6 Gal Zn
305544	24	Hexagon nut EN24 032 (DIN934) M6 8 gal Z
302721	47	Hose piece Disc casing VTA D=8x15/30
301440	49	Pan head screw DIN85 M6x12 4.8 VZ
305615	58	Cylinder screw DIN84 M4x16 4.8 VZ
302770	75	Cap plug KAPSTO (VTA8S) GPN 300
305829	82	Motor compl.assembled VTA6S UL3~/208V/60Hz
302747	98	Rubber funnel HV 1212 4/6/9-1
310640	130	Shaking plate VTA6S for bag clamp front



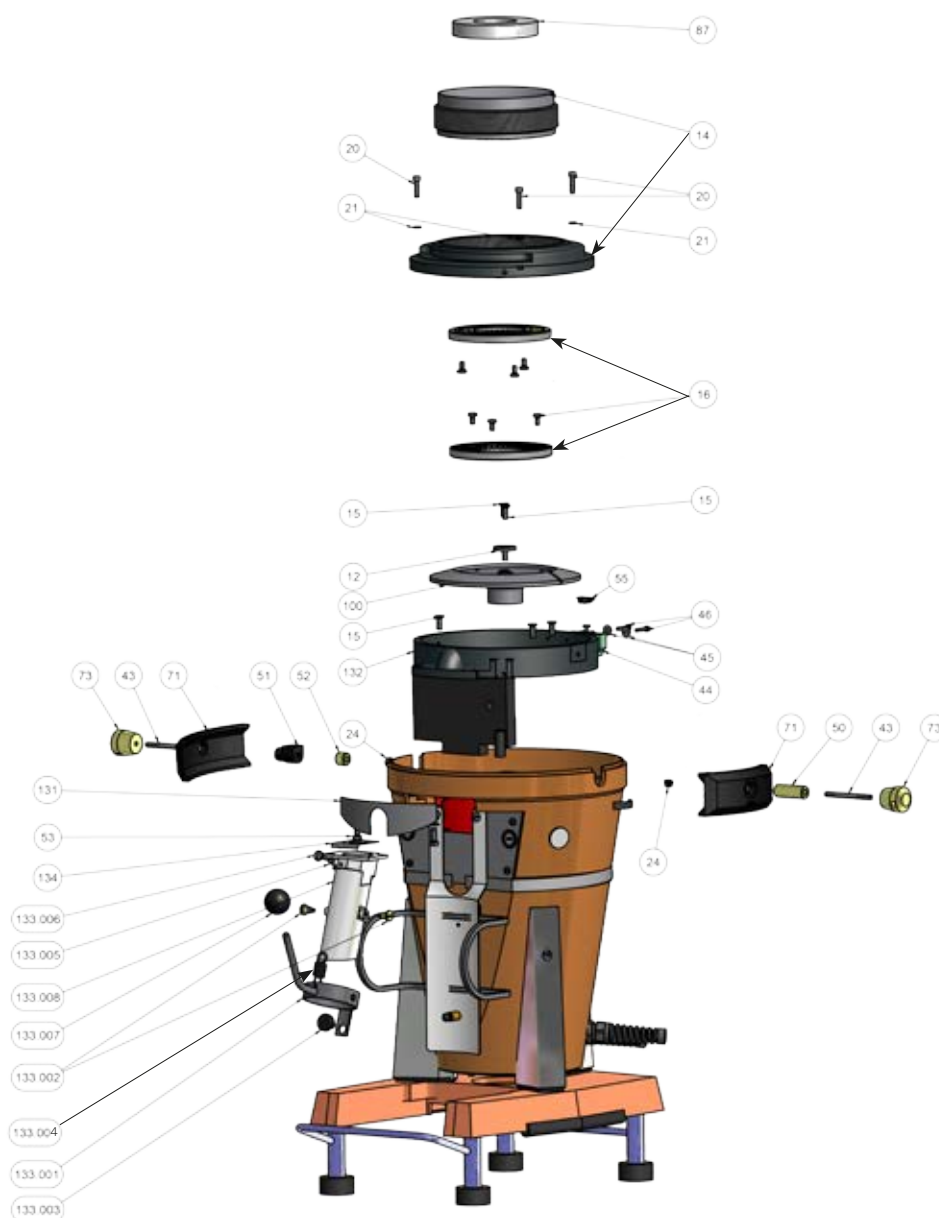
Model: VTA6S HMVC - 208V 60Hz 3~

ARTICLE NO.	DRAWING NO.	DESCRIPTION
307549	8	Shaker rod VTA6S HMVC
305650	28	Washer DIN125 A8,4 gal Zn
301197	29	Grooved taper pin 2 x 16 DIN1471
307779	42	Pressure spring 1,5 x 10 x 38lg 8.5 windings
306747	8a	Deep groove ball bearing 6202-ZZC3 Chevron SRI2



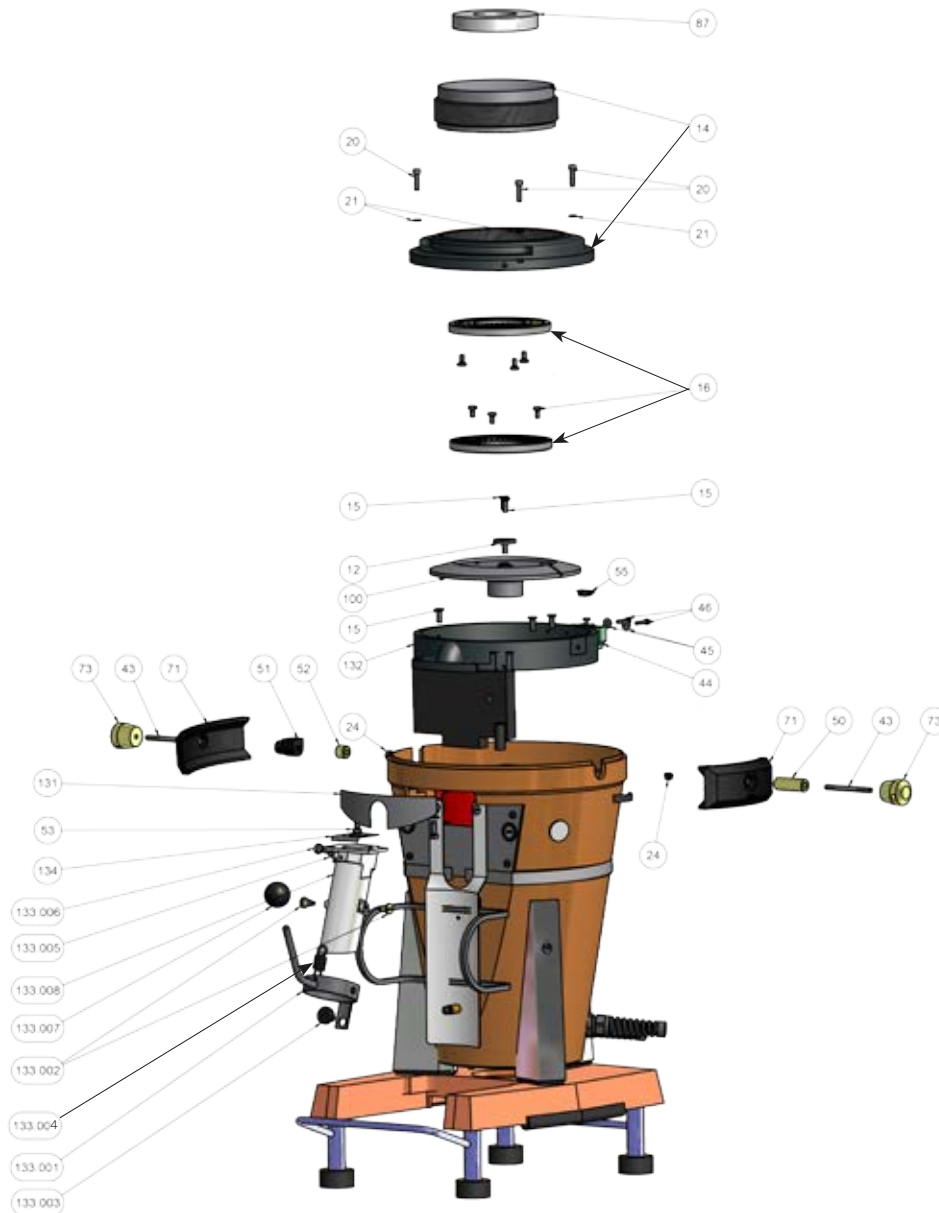
Model: VTA6S HMVC - 208V 60Hz 3~

ARTICLE NO.	DRAWING NO.	DESCRIPTION
309196	12	Plated grinding wheels carrier screw VTA
305833	14	Disc casing cover cpl. with fixed carrier
301564	15	Countersunk Screw DIN 963 M6x16 4.8 VZ
305376	16	Grinding disc set VTA6S tungsten carbide
301458	20	Cylinder head screw DIN 912 M5x20 8.8 VZ
305516	21	Spring washer DIN127 A5 gal Zn
305544	24	Hexagon nut EN24 032 (DIN934) M6 8 gal Z
301522	43	Locking screw M6 x 55/67 DIN940 #8.8
302343	44	Snap switch S802 B (VTA6S/ 8S)
305654	45	Washer DIN9021 4,3 140HV A2
301268	46	Cylinder head screw DIN84 M4x20 4.8 VZ
300939	50	Bush 15x4x41+0,2 stainless steel 1.4305
300468	51	Spacer sleeve VTA Rilsan ZM30 black



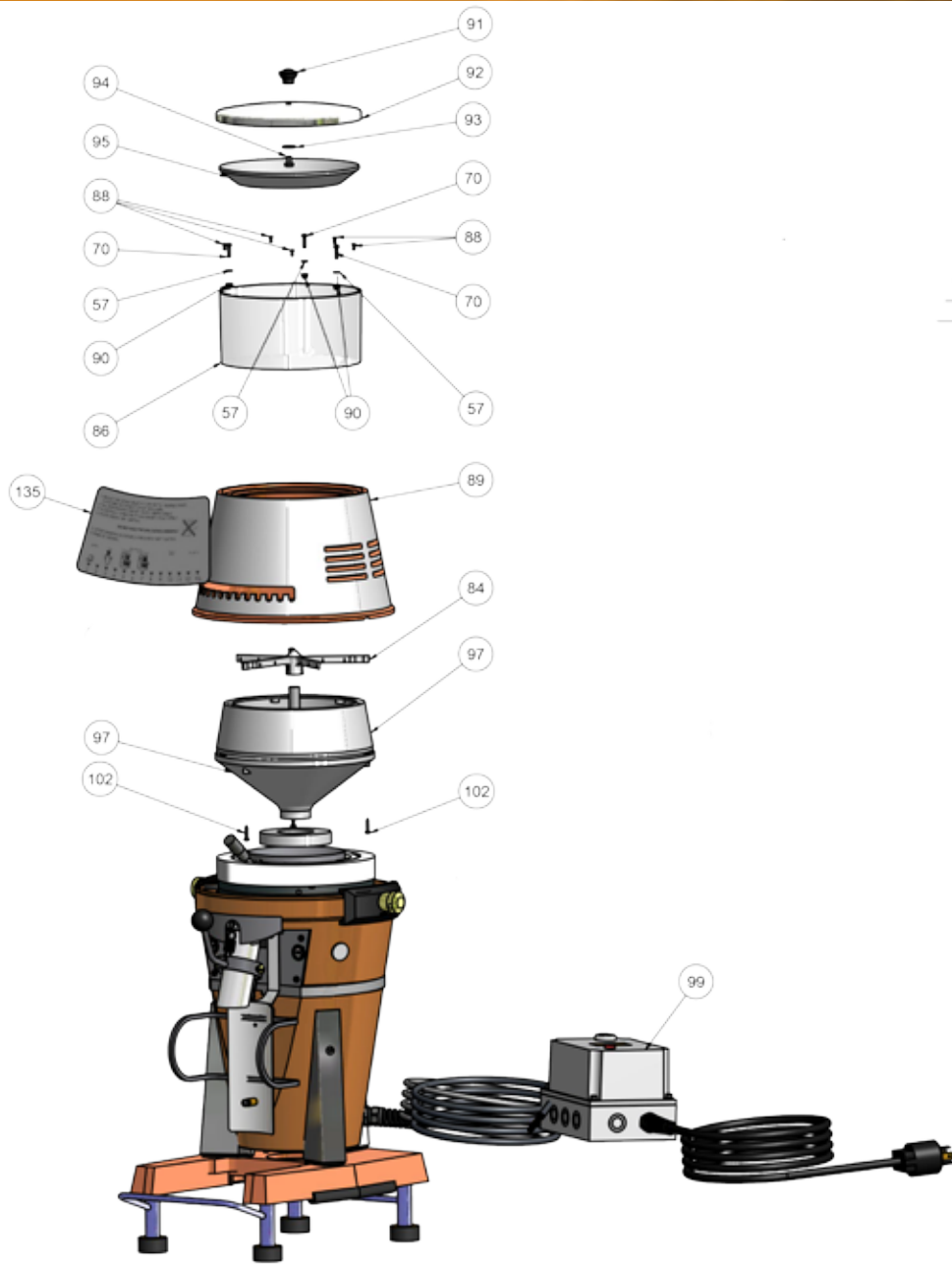
Model: VTA6S HMVC - 208V 60Hz 3~

ARTICLE NO.	DRAWING NO.	DESCRIPTION
300936	52	Bush 15x4x12+0,2 stainless steel 1.4305
305581	53	Pan head screw ISO1580 DIN85 M6x16 4.8 VZ
300469	55	Control cam Rilsan ZM30,black, with bush
300166	71	Clamp glued with insets
300968	73	Round Handle D = 1.4305 30x30mm M6 VTA
302808	87	Seal ring polyester („doughnut“)
309195	100	complete with sweepsGrinding disc carrier VTA6S chemically nickel plated,
310653	131	Cover plate spout VTA with cut out
102024	132	Grinder casing VTA6S HMVC
101905	133	Bag holder handle with spout tube VTA6S HMVC
310440	133.001	Bag clamping arm assembly VTA6S10 NSF
300873	133.002	Fillister head screw with socket DIN 668
302741	133.003	Rubber buffer, black, Form 4123



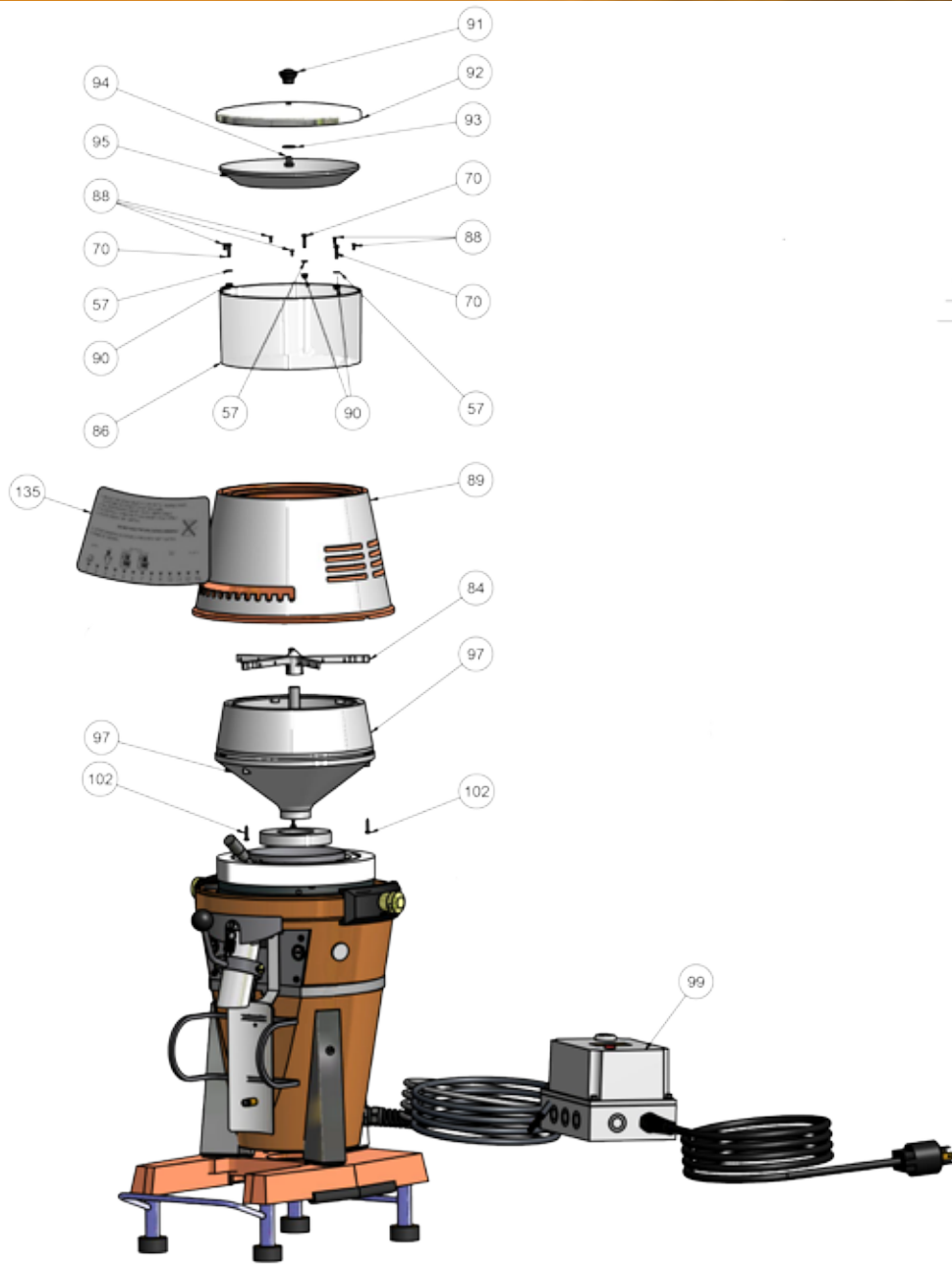
Model: VTA6S HMVC - 208V 60Hz 3~

ARTICLE NO.	DRAWING NO.	DESCRIPTION
309837	133.004	Bag holder spring 1,4 x 15 x 34,9mm
301181	133.005	Distance bolt 4/8x10 PA
310444	133.006	Flat head screw DIN921 M4 x 16
300423	133.007	Ball button black flat form C
101904	133.008	Spout tube for bag clamp VTA6S HMVC
310441	134	Spout flat spring plate VTA6S



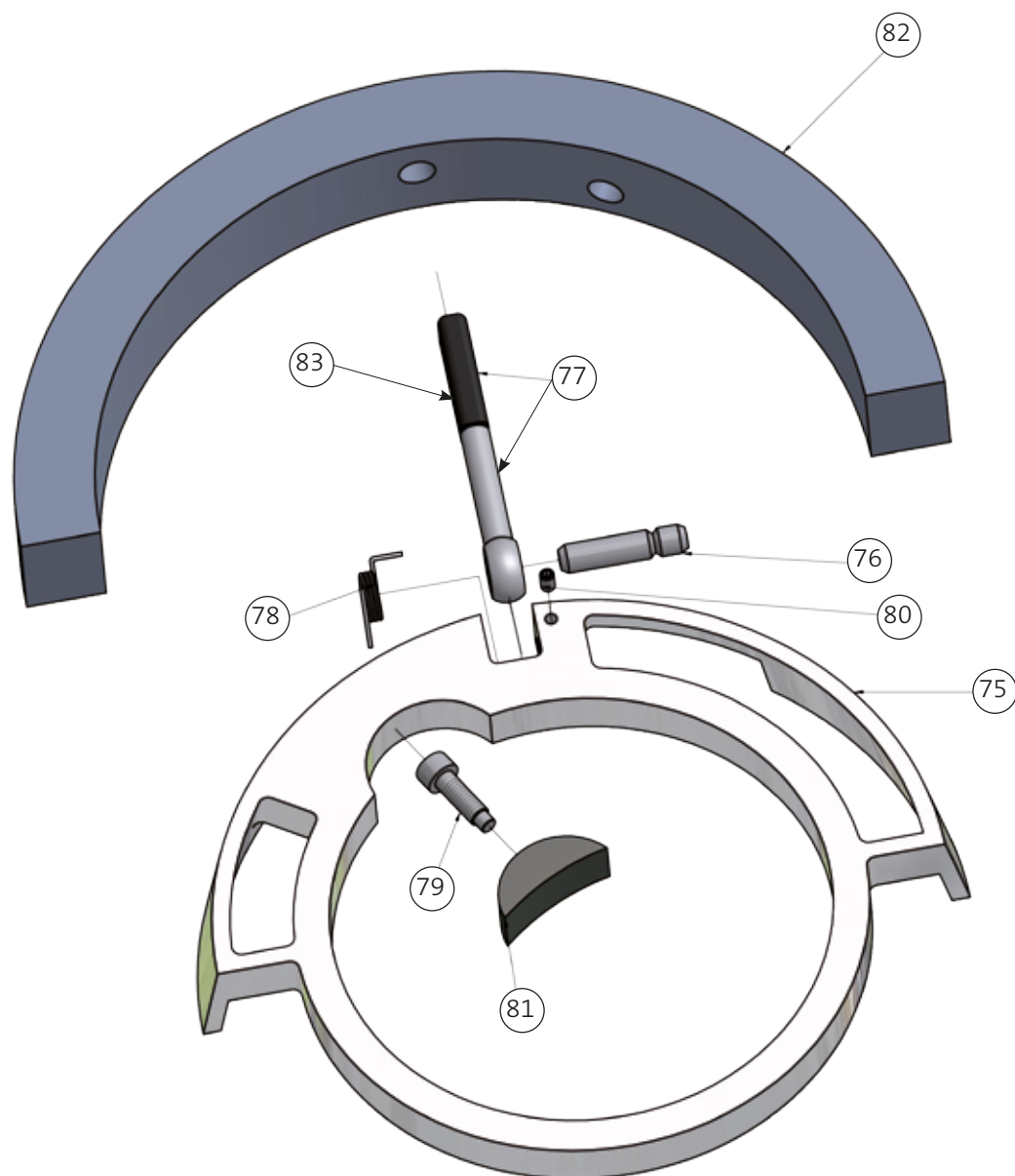
Model: VTA6S HMVC - 208V 60Hz 3~

ARTICLE NO.	DRAWING NO.	DESCRIPTION
305647	57	Washer DIN 125 A-4-verz
301414	70	Pan head screw DIN85 M4x16 4.8 VZ
300319	84	Hopper magnet VTA6S complete with holder
307481	86	Hopper extention VTA shortened to 100mm
301424	88	Countersunk head screw M3x8 DIN964 4.8vz
307876	89	Housing upper part VTA6S HMVC with cooling slots
305551	90	Self-locking hex nut DIN985 M4 A2
300418	91	Knob A25xM6 plastic black
306015	92	Lid for extension hopper polished
301402	93	Washer DIN9021 6,4 VZ
301365	94	Flat head screw DIN85 M6x10 4.8 zn.
100115	95	Hopper adoption ring VTA6S NSF-plastic
300312	97	Hopper completely glued



Model: VTA6S HMVC - 208V 60Hz 3~

ARTICLE NO.	DRAWING NO.	DESCRIPTION
102950	99	Switch box VTA6S13 HMVC
305569	102	Pan head self tapping screw DIN7981C3,9x19
301940	135	User Manual English - sticker 230x125
306234	-	Time relay MHS2 30-60s
101688	-	Contacteur AF 12-30-10-13 (ABB)
302338	-	Circuit breaker TI16C 8 - 12 Amp. UL-App
310824	-	Button, Reset IP 67/IP 69K
302337	-	Pilot lamp SGF 21/3 L yellow 230 V530 53
101698	-	Timing relay MCR1; 24-240VAC; 0,1s - 100 Crouzet



Model: VTA6S HMVC - 208V 60Hz 3~

ARTICLE NO.	DRAWING NO.	DESCRIPTION
300152	75	Grind adjustment ring VTA6S
300917	76	Bolt for adjustment lever 11x35mm
100765	77	Adjustment lever complete
301990	78	Spring for adjustment lever d=1,25 x 12,5x5,00x3,00
300887	79	Cylinder head screw DIN912 M6x20 8.8 blk. with full dog point
301295	80	Threaded pin DIN914-45H M4x8
300035	81	Pressure piece VTA6S
302804	82	Notches cover foam black 360x30x22mm
101182	83	Cone Handle

Changes In The Spare Parts List:

VERS.NO.	ARTICLE NO.	DRAWING NO.	DESCRIPTION	COMMENT