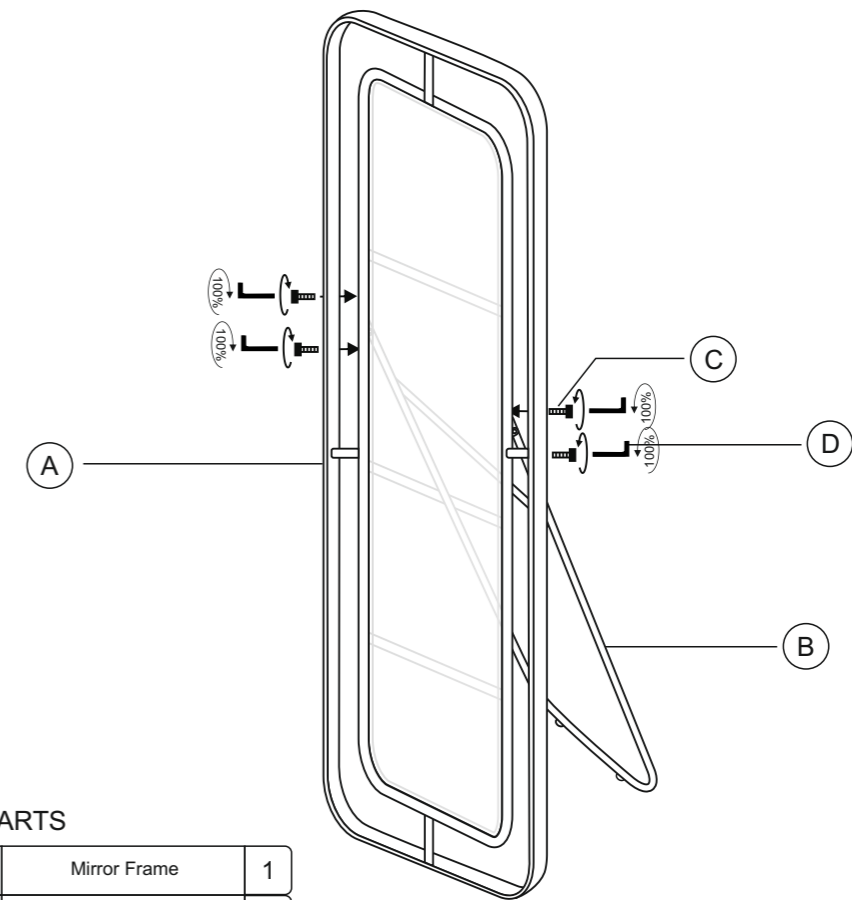



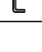


INSTALLATION INSTRUCTIONS

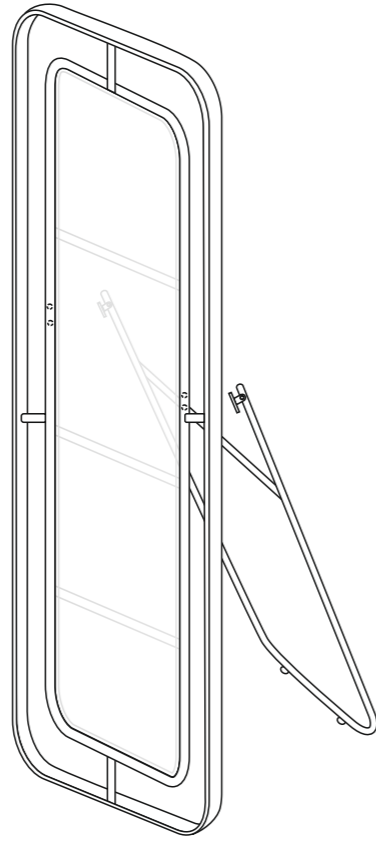


PARTS

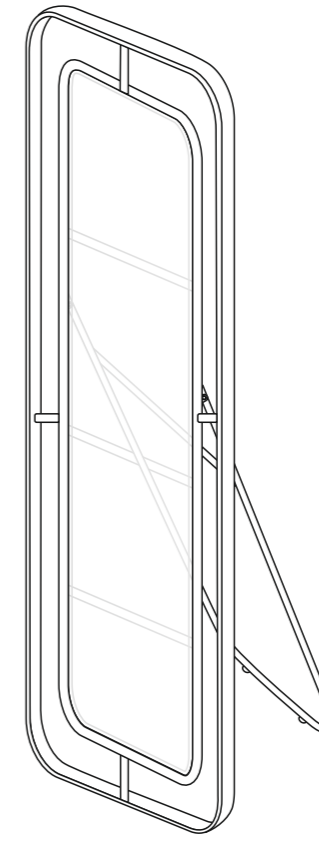
A	—		Mirror Frame	1
B	—		Easel	1
C	○		Screw (Hardware Bag)	4
D	L		Allen Key (Hardware Bag)	1

STEP 1

Place the easel on the mirror frame align the holes gently.



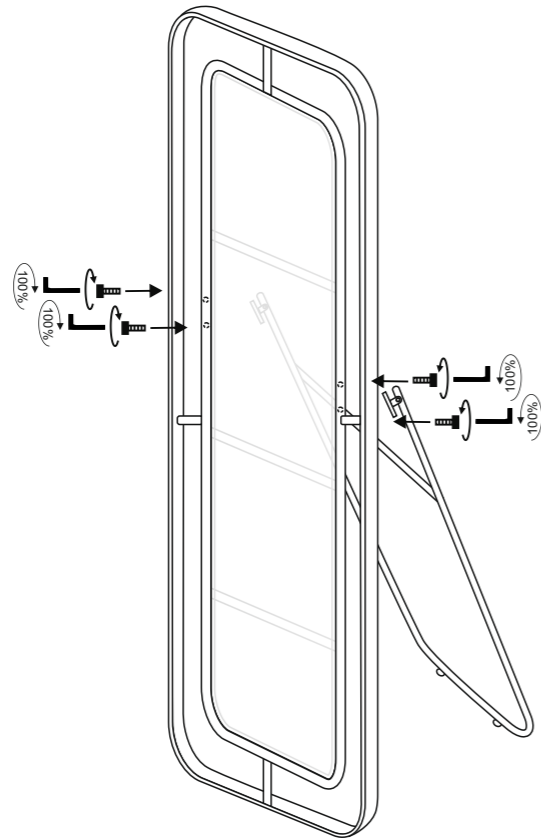
Final product image.



Now your product is ready for use.

STEP 2

Assemble the easel tightening all the screws using Allen Key.



## CLEANING & CARE

- Dust regularly with a dry cloth.
- Do not use abrasive cleaners.
- Do not use chemical cleaners.
- Retain these instructions for reference.

