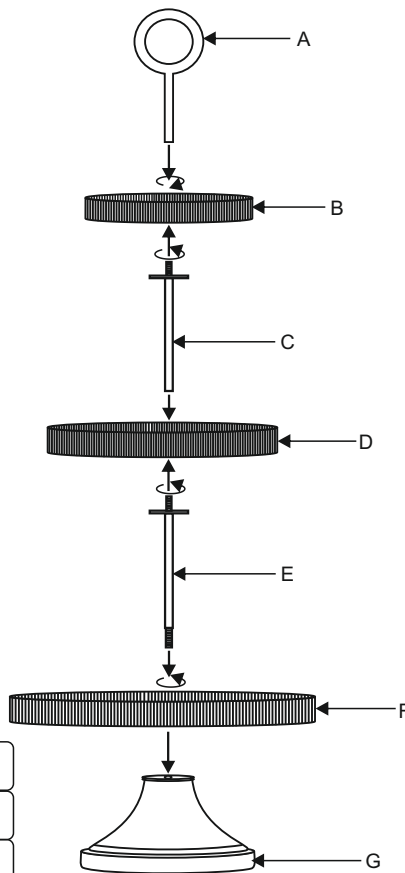


**ASSEMBLY INSTRUCTIONS**



**PARTS**

A			Top Handle Pipe	1
B			8" Cake Plate	1
C			Connector Pipe	1
D			10" Cake Plate	1
E			Connector Pipe	1
F			10" Cake Plate	1
G			Spinning Base	1

**Warning : To avoid scratches on the surface, do not over - tighten the rod.**