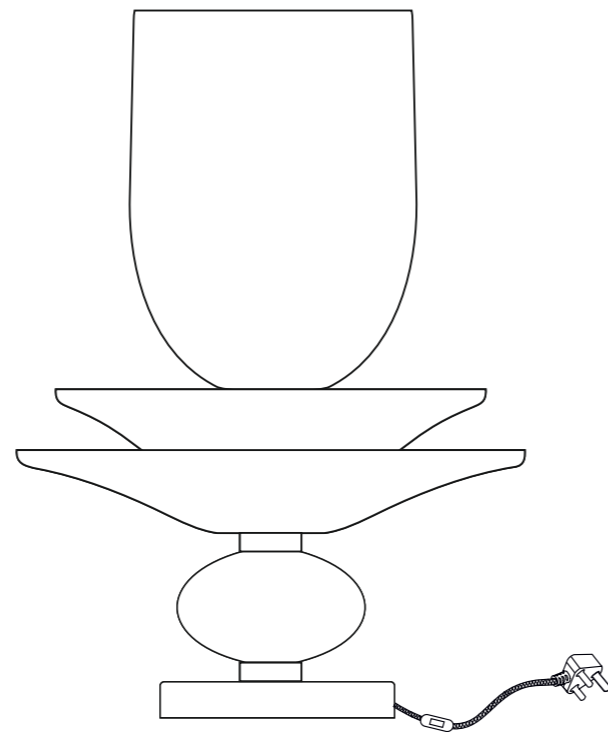


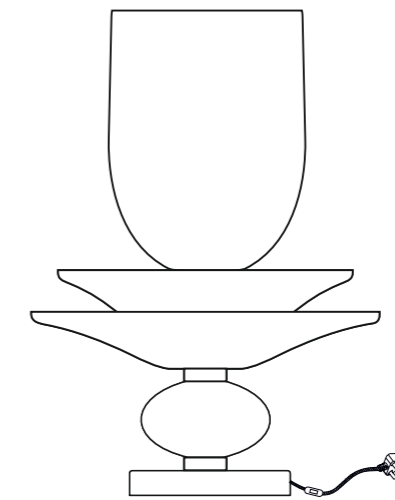
CLEANING & CARE

- Dust regularly with a dry cloth.
- Do not use abrasive cleaners.
- Do not use chemical cleaners.
- Retain these instructions for reference.

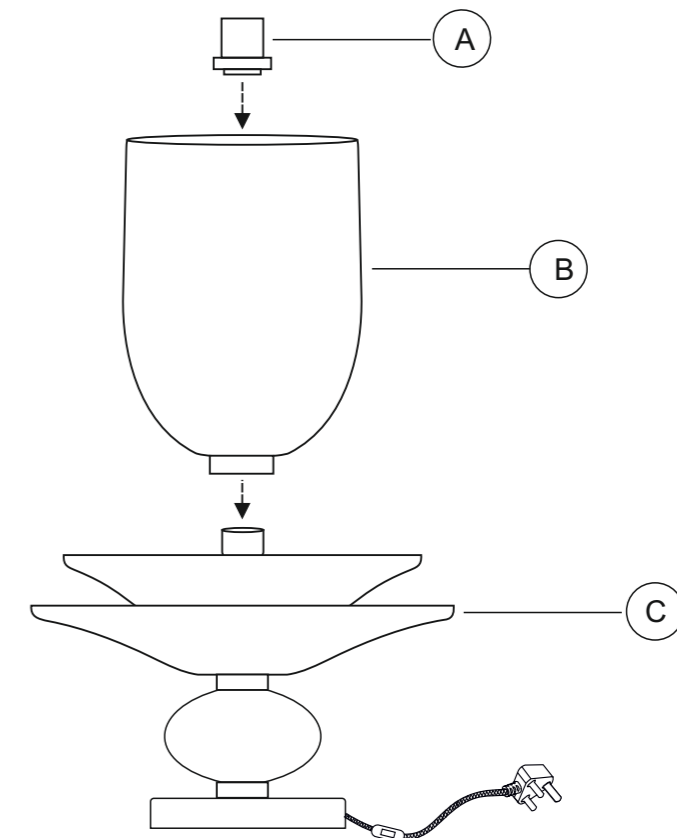


RF
RENOVATION
FACTORY

L090061121090EG



ASSEMBLY INSTRUCTIONS

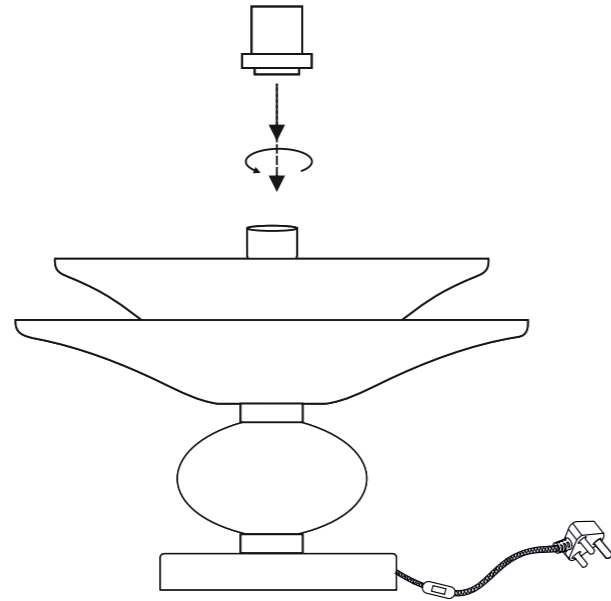


PARTS

A			Metal Holder Cap	1
B			GLASS Shade	1
C			Glass Metal Frame	1

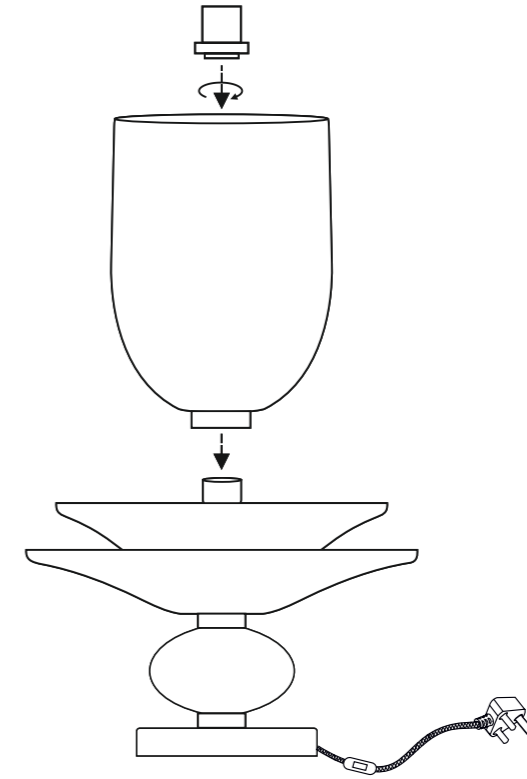
STEP 1

Remove the holder cap from the threaded holder gently.



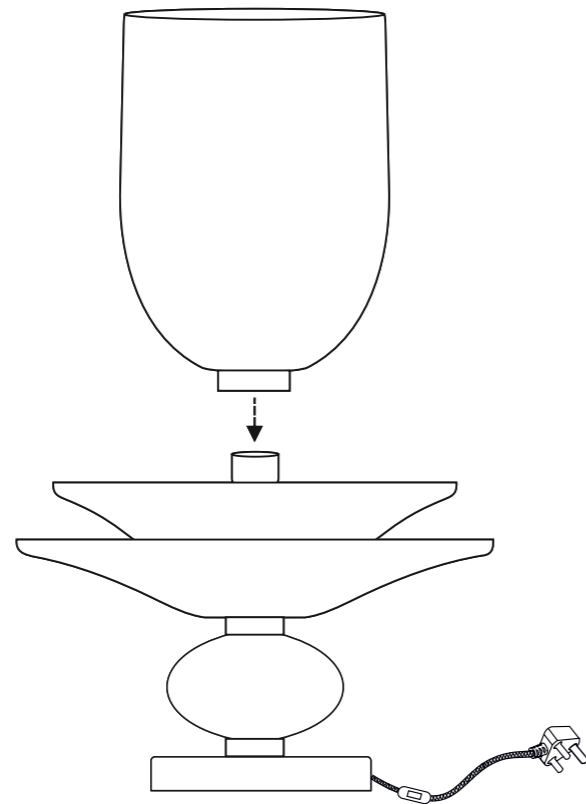
STEP 3

Rotate the holder cap onto the threaded holder gently.

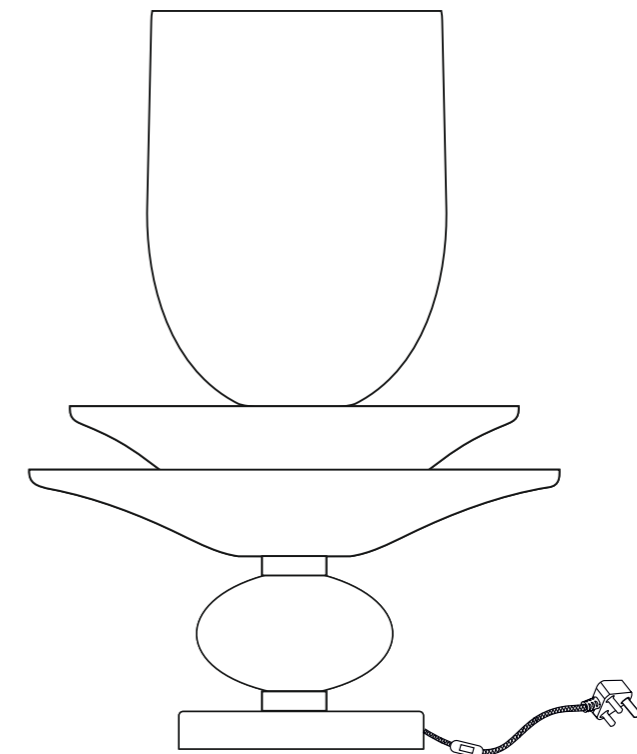


STEP 2

Place the glass shade through the threaded end of the holder.



Final product image.



Now your product is ready for use.