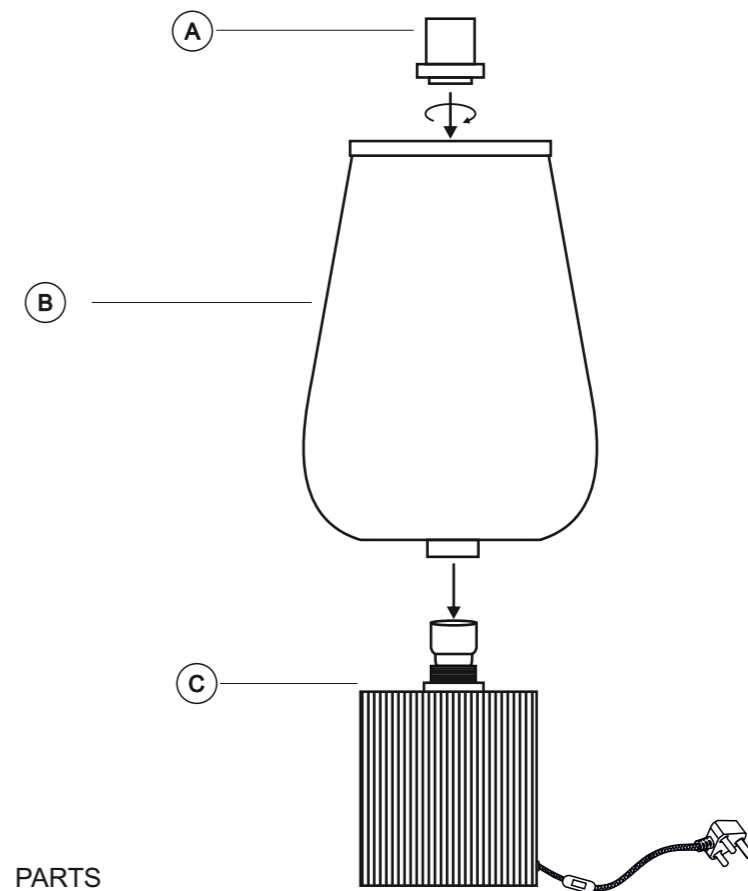


**ASSEMBLY INSTRUCTIONS**

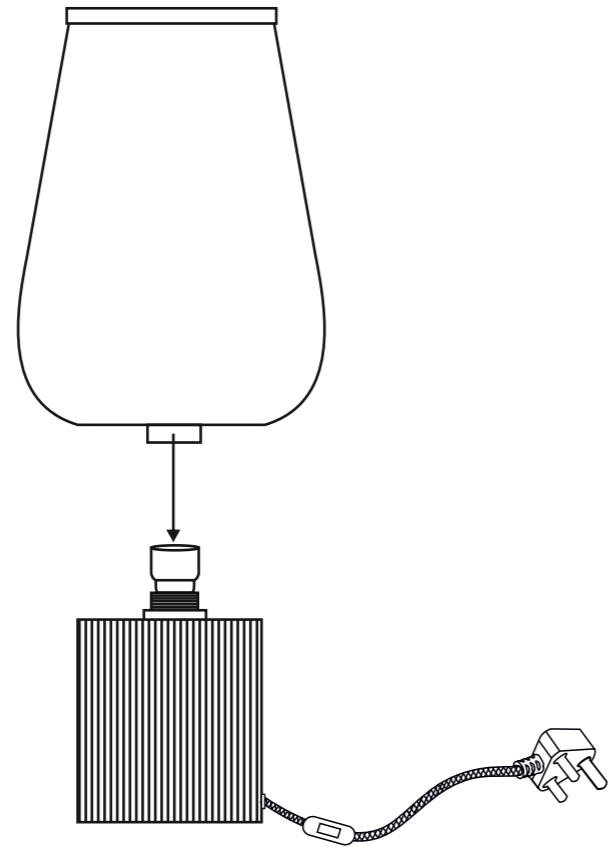


**PARTS**

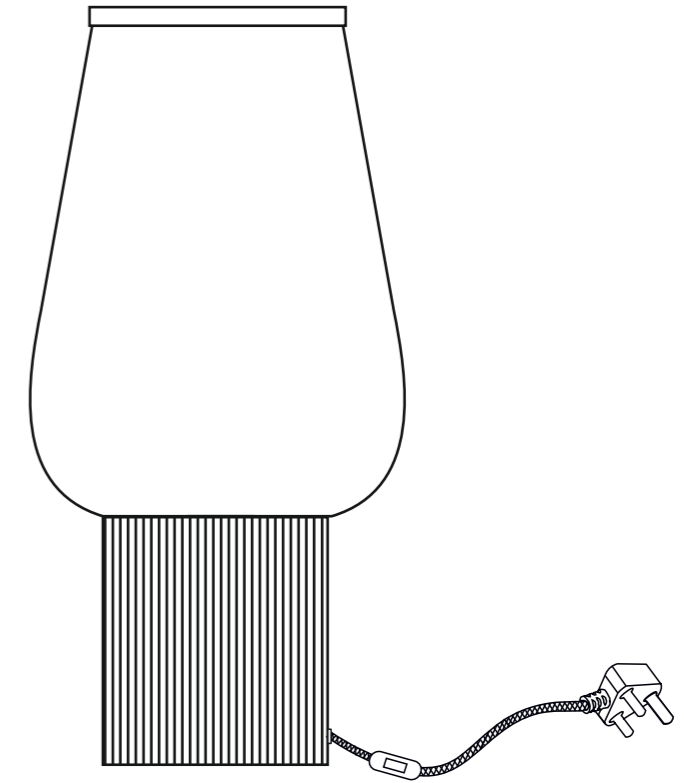
A		Metal Holder Cap	1
B		Glass	1
C		Metal Body Frame	1

STEP 1

Place the glass carefully put on the metal frame.



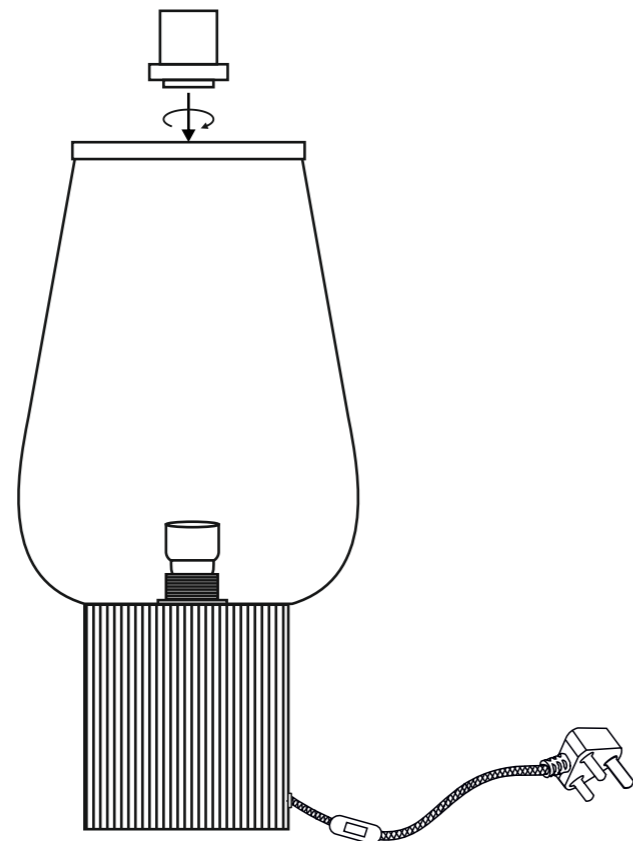
Final product image.



Now your product is ready for use.

STEP 2

Rotate the metal holder cap in the metal frame body gently.



## CLEANING & CARE

- Dust regularly with a dry cloth.
- Do not use abrasive cleaners.
- Do not use chemical cleaners.
- Retain these instructions for reference.

