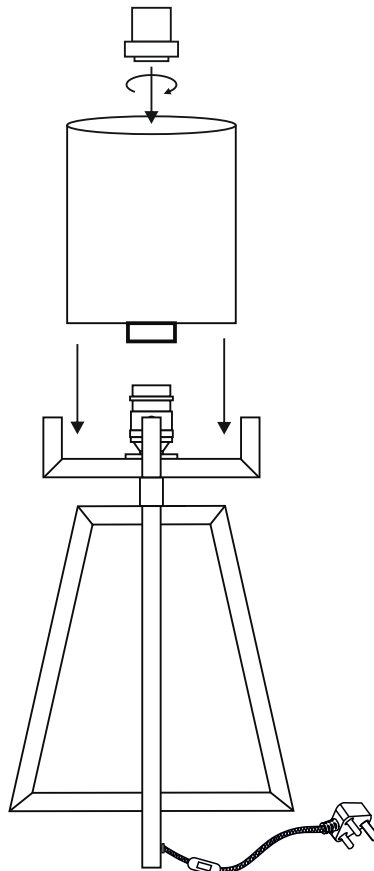


ASSEMBLY INSTRUCTIONS



PARTS

A	+		Meta Lamp Frame	1
B	⊙		Glass Chimney	1
C	⊙		Holder Cup	1

Unscrew the pre-fitted holder cup, insert glass, and re-tighten holder cup.
Warning : To avoid cracking of glass, do not over - tighten pillar cap.