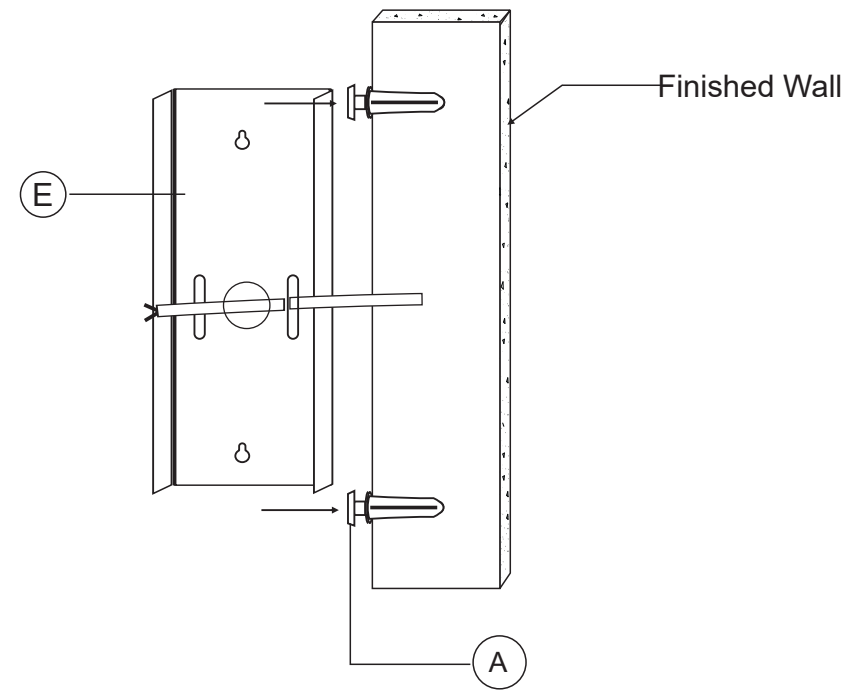
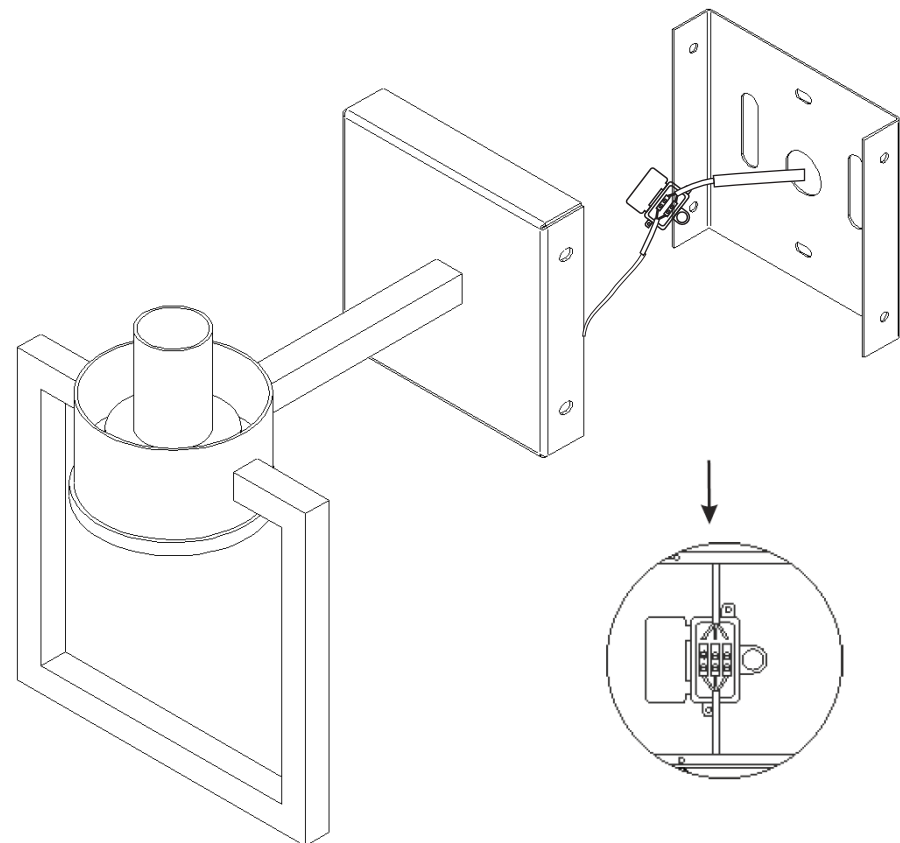


STEP 3 Pull Wire : The fixture base is to be hung on the screw. Gently pull the main wire through fixture base.



STEP 4 Connector Open : Open the connector, attach the connector to main wire. Attach the brown coloured wire to phase, blue coloured wire to neutral and green yellow coloured wire to earth.



Assembly and Installation Instructions

Caution :

- BEFORE INSTALLING FIXTURE, MAKE SURE THE POWER TO THE CIRCUIT IS TURNED OFF AT THE MAIN FUSE BOX / CIRCUIT BREAKER UTILITY BOX.
- DO NOT INSTALL INTO A CEILING THAT CONTAINS RADIANT HEATING.

Important Safety Instructions :

- The ceiling screw anchors / screw are meant for drywall ceiling mounting only.
- The installation is not to be made on a radiant-heating ceiling.
- These instructions are provided for your safety. It is very important that they are read carefully and completely before beginning the assembly and installation of this lighting fixture.
- We strongly recommend that a professional electrician install all direct wire fixtures.
- This product must be installed in accordance with the applicable installation codes by a person familiar with construction and operation of the product and the hazards involved.
- The lighting fixture is meant for indoor use, dry locations only. It must be connected only to 2-wire, single-phase electrical supply systems (provided with Ground wire or equivalent protection system).
- For your safety, it is strongly recommended that two people install the lighting fixture.
- To avoid the risk of fire, do not exceed the recommended wattage.
- **Save these instructions.**











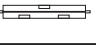







Warning :

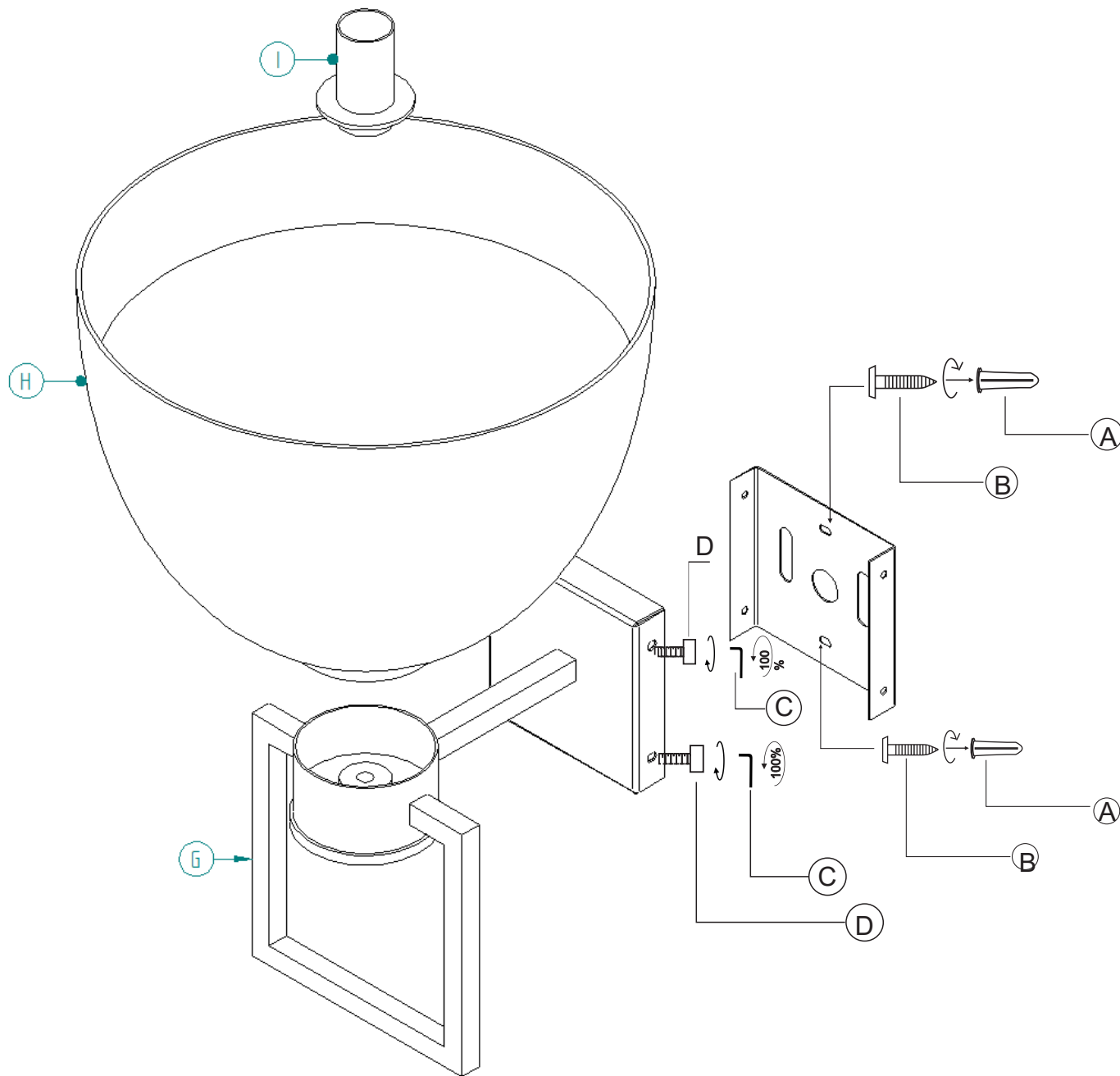
- To reduce the risk of fire, electrical shock or personal injury, always turn off light fixture and allow it to cool prior to replacing light bulb.
- Do not touch bulb when fixture is turned on. Do not look directly at lit bulb.
- Keep flammable materials away from lit bulb.

Pre-assembly :

- Remove all parts carefully and hardware from box along with any plastic protective packaging.
- Do not discard any contents until after assembly is complete to avoid accidentally discarding small parts
- For your safety and convenience, assembly by two people is recommended.

Parts Included :

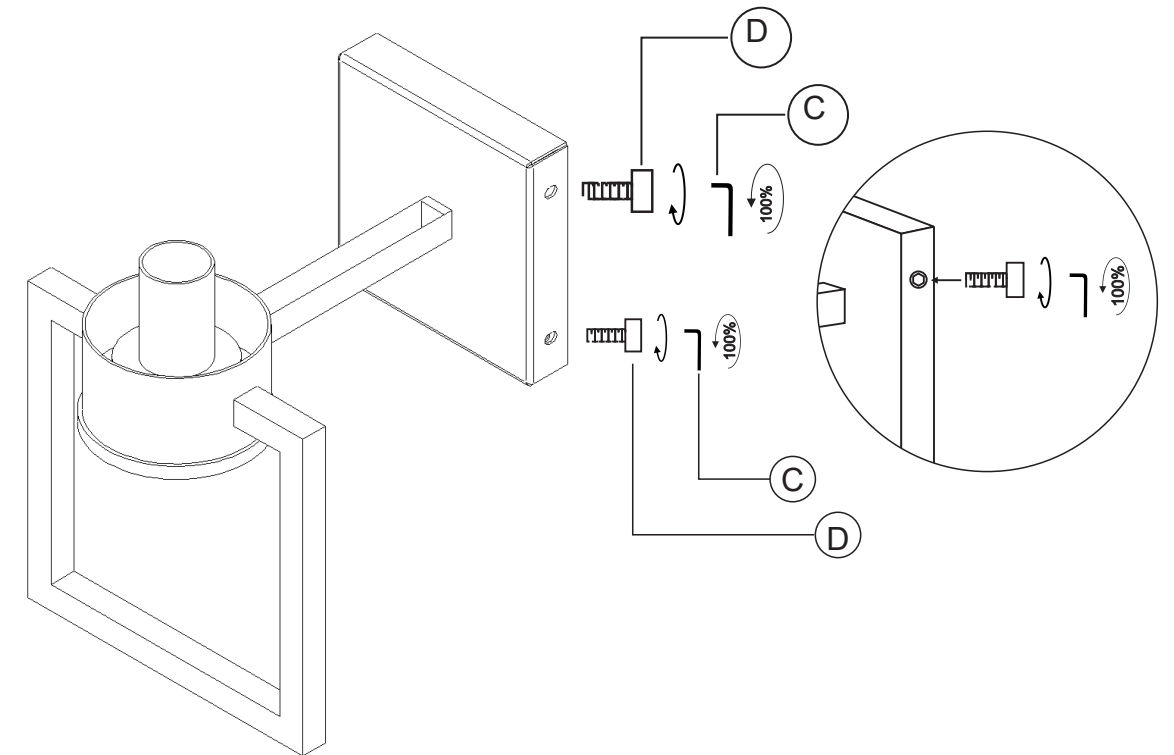
| | | | | |
|---|---|---|---------------------------------|-----|
| A |  |  | Screw Anchors (Hardware Bag) | 2 |
| B |  |  | Screw Hardware Bag | 2 |
| C |  |  | Allen Key (Hardware Bag) | 1 |
| D |  |  | Screw | 4+1 |
| E |  |  | Fixture Base | 1 |
| F |  |  | Connector | 1 |
| G |  |  | Metal Frame | 1 |
| H |  |  | Glass Shade | 1 |
| I |  |  | Metal Holder Cap | 1 |



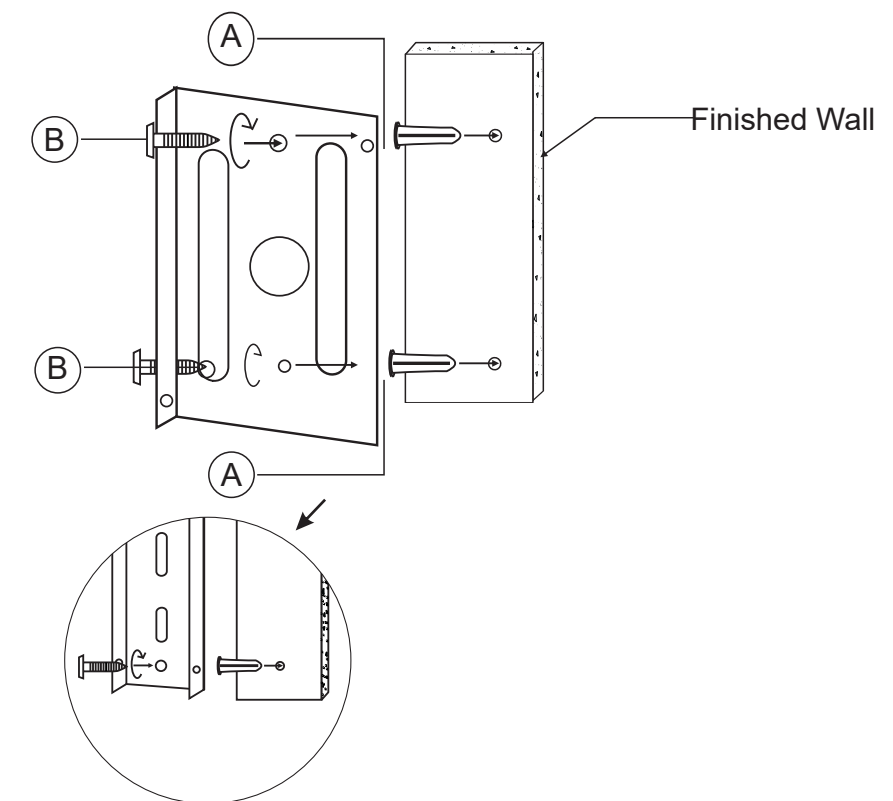
Assembly and Installation Instructions :

SHUT OFF THE MAIN ELECTRICAL SUPPLY FROM THE MAIN FUSE BOX/CIRCUIT BREAKER!
Carefully unpack all fixture parts and hardware and lay out them on a clear workspace.

STEP 1 Unscrew Mounting Plate : Disassemble the fixture base from the metal frame as shown below, with the hardware provided.

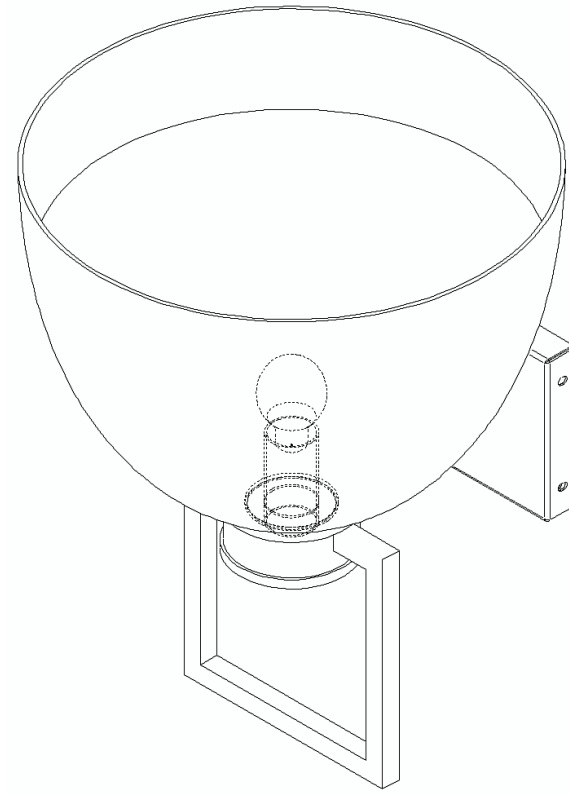


STEP 2 Installation Fixture Base : Find a desired location to hang the wall light and mark location for screws on the wall. Align with the two holes of the wall. Place anchors on the wall on the marked points. All anchors screws must be attached directly into anchors. Tighten the screw.

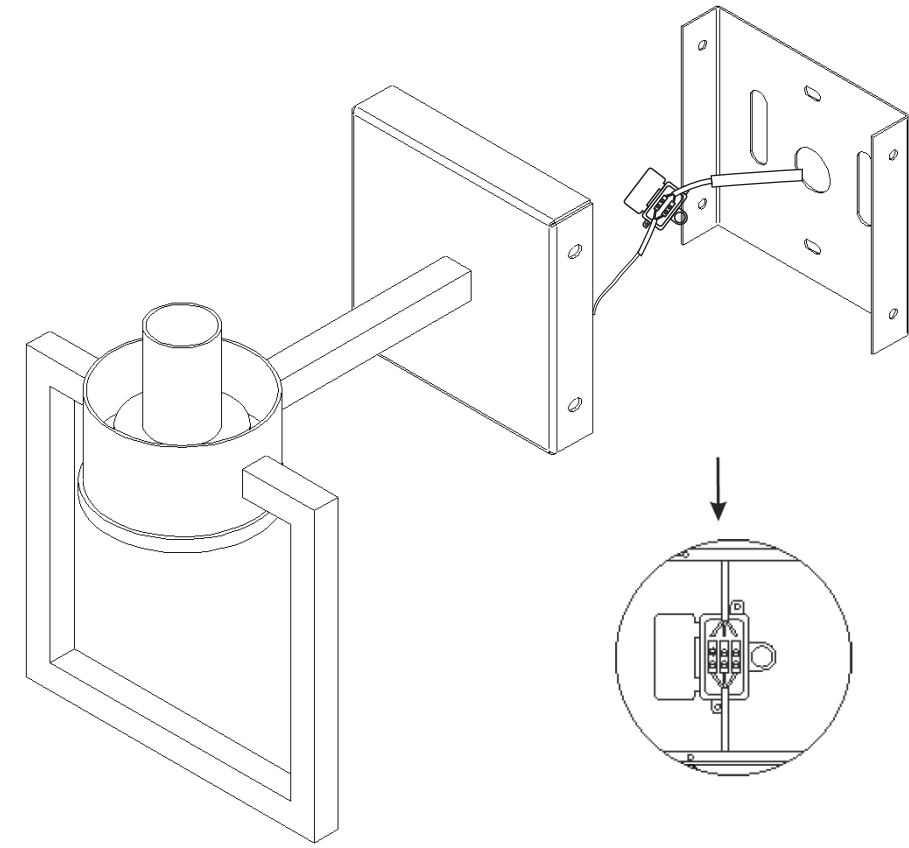


CLEANING & CARE

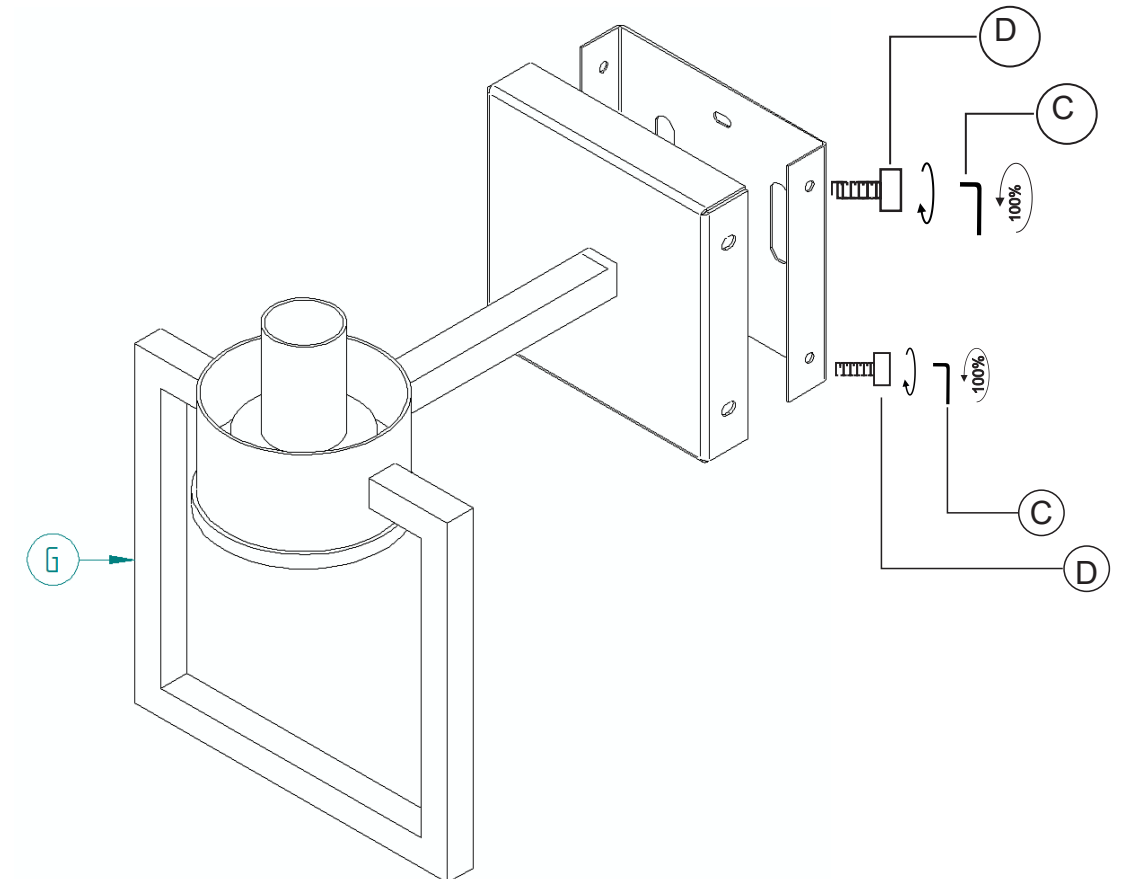
- Dust regularly with a dry cloth.
- Do not use abrasive cleaners.
- Do not use chemical cleaners.
- Retain these instructions for reference.



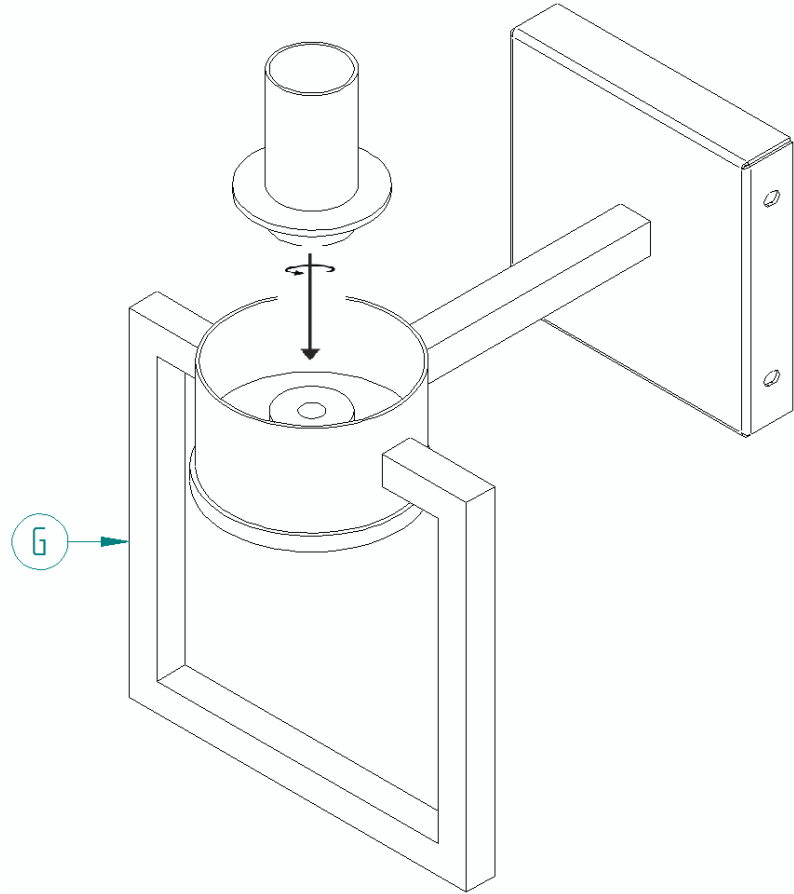
STEP 5 Attach the Main Wire : Attach main wire to the connector.



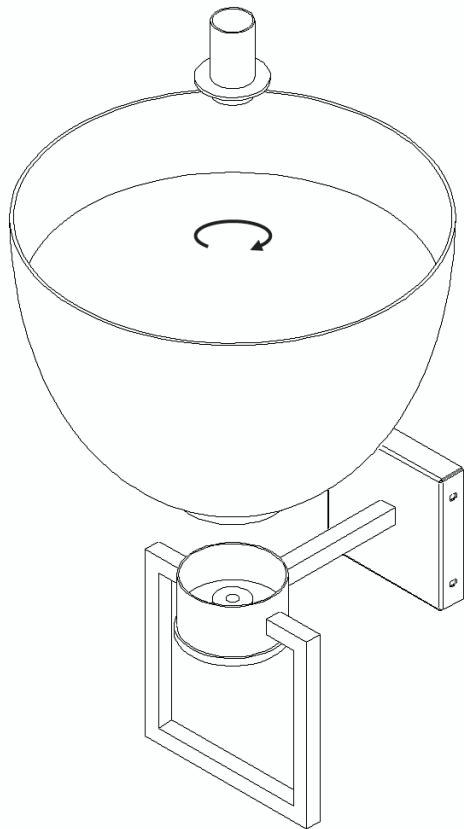
STEP 6 Mount the Metal Frame : Fix the metal frame to the fixture base as shown below, and tighten with screw.



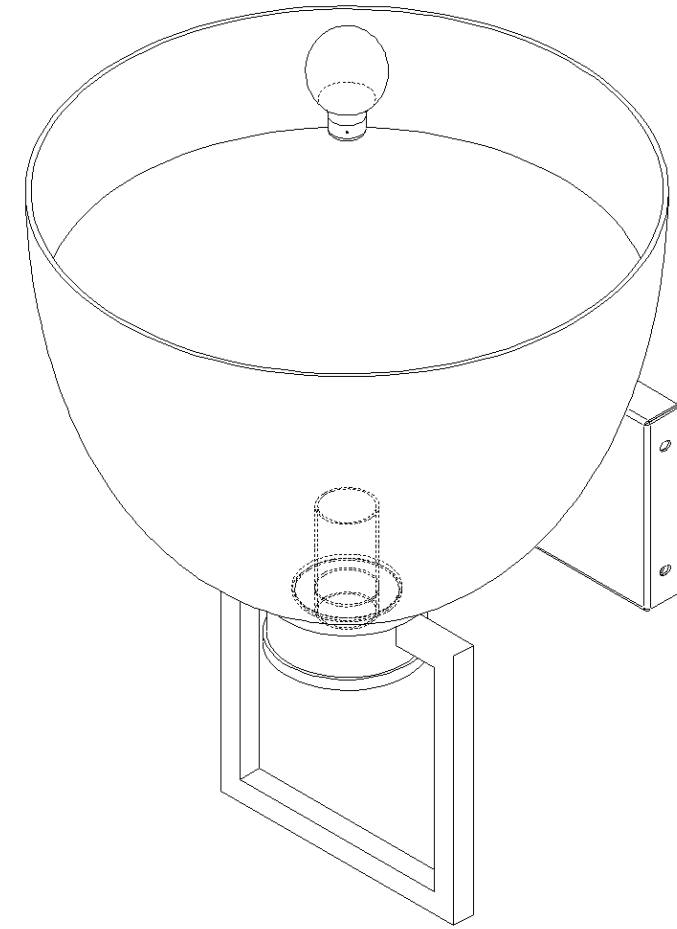
STEP 7 Unscrew holder Cap : Unscrew the metal holder cap gently.



STEP 8 Assemble Glass Shade : Place the glass carefully, tighten the metal holder cap. Donot over tighten the metal holder cap.



STEP 9 Attach bulb to holder.



STEP 10 .Restore power to junction box and test fixture.

STEP 11 Now your product is ready for use.

