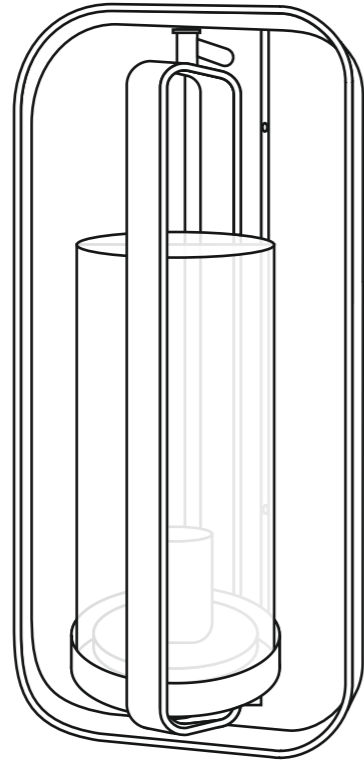


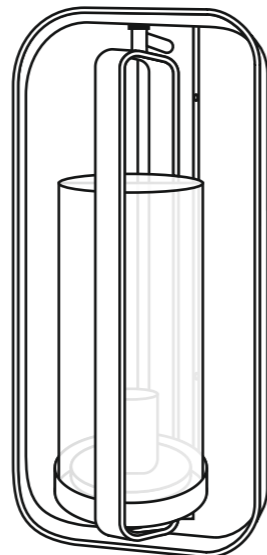
Final product image.



Now your product is ready for use.

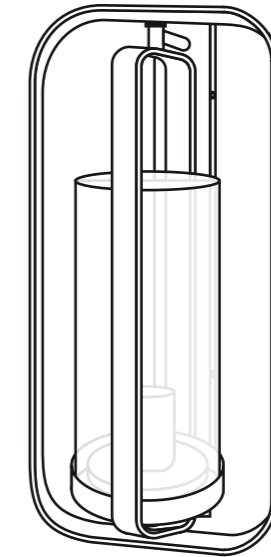
CLEANING & CARE

- Dust regularly with a dry cloth.
- Do not use abrasive cleaners.
- Do not use chemical cleaners.
- Retain these instructions for reference.

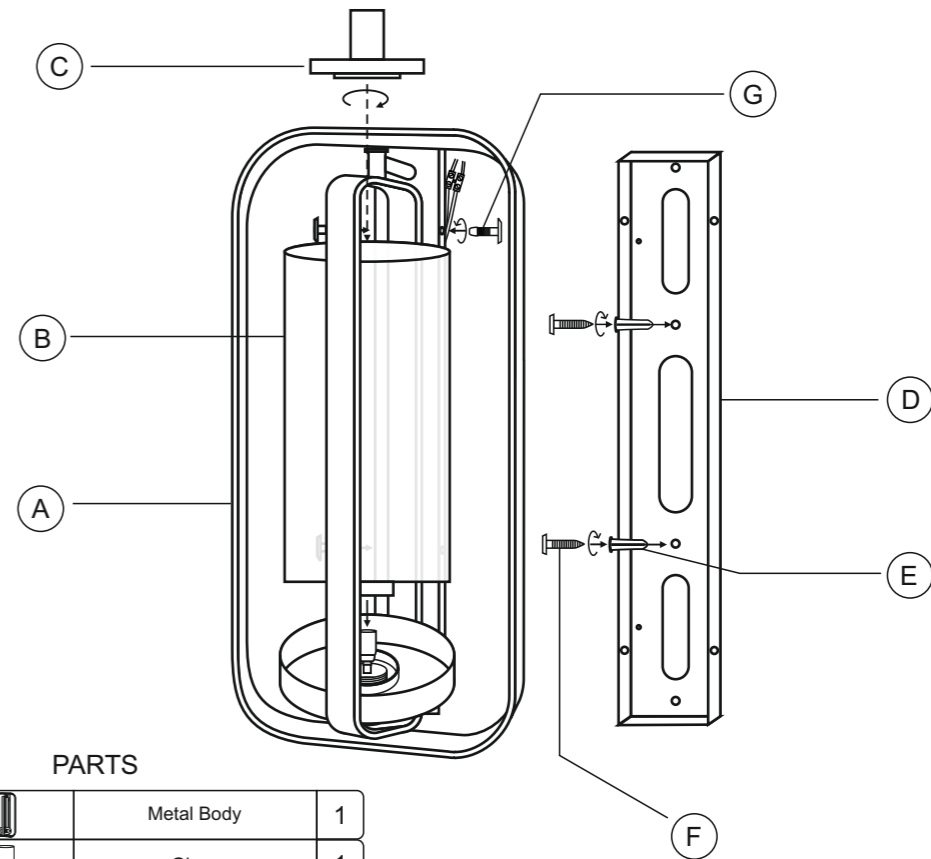


RF
RENOVATION
FACTORY

L070016023004EG



INSTALLATION INSTRUCTIONS

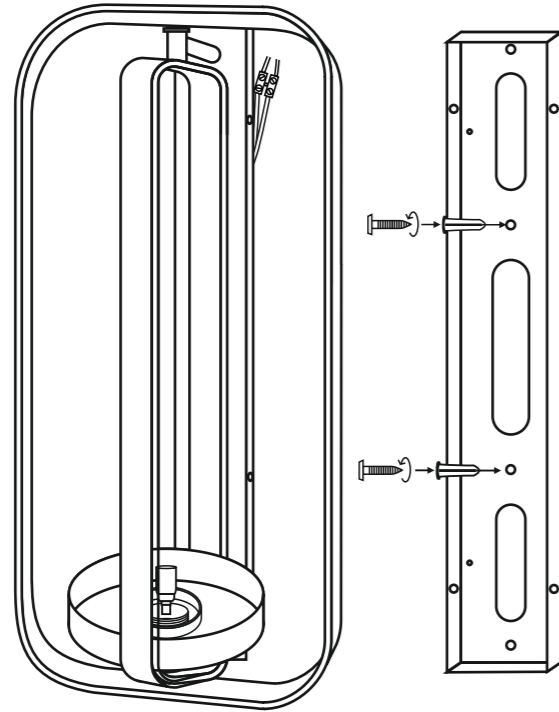


PARTS

A			Metal Body	1
B			Glass	1
C			Holder Cap	1
D			Mounting Plate	1
E			Anchors (Hardware Bag)	2
F			Screw Anchors (Hardware Bag)	2
G			Screw (Hardware Bag)	4

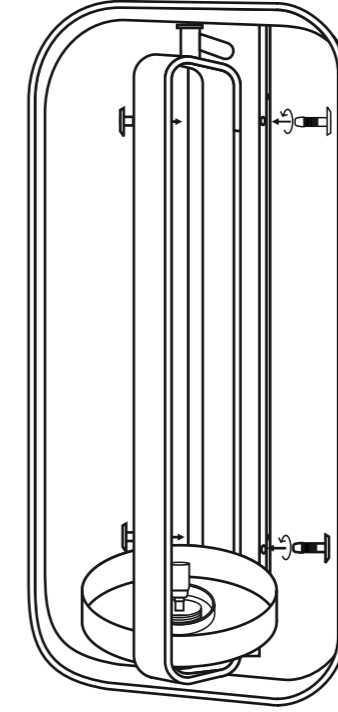
STEP 1

Get the mounting / installation done by a qualified electrician. Switch off the main electricity before installation. Fix the mounting plate to the plaster similar wall properly with hardware provided.



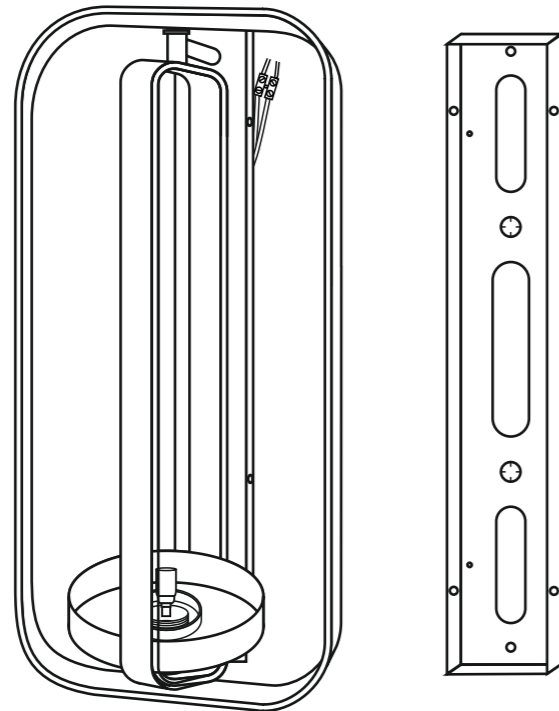
STEP 3

Fix to the metal body with mounting plate as shown below, and lock screw with hardware provided.



STEP 2

Loose the cord grip for wire length adjustment, insert the wire through the mounting plate. Attached the brown coloured wire to phase, blue coloured wire to neutral, and fix the canopy to the mounting plate as shown below, and lock with hardware.



STEP 4

Put the glass in the metal holder frame, Rotate the holder cap in the glass pillar body gently.

