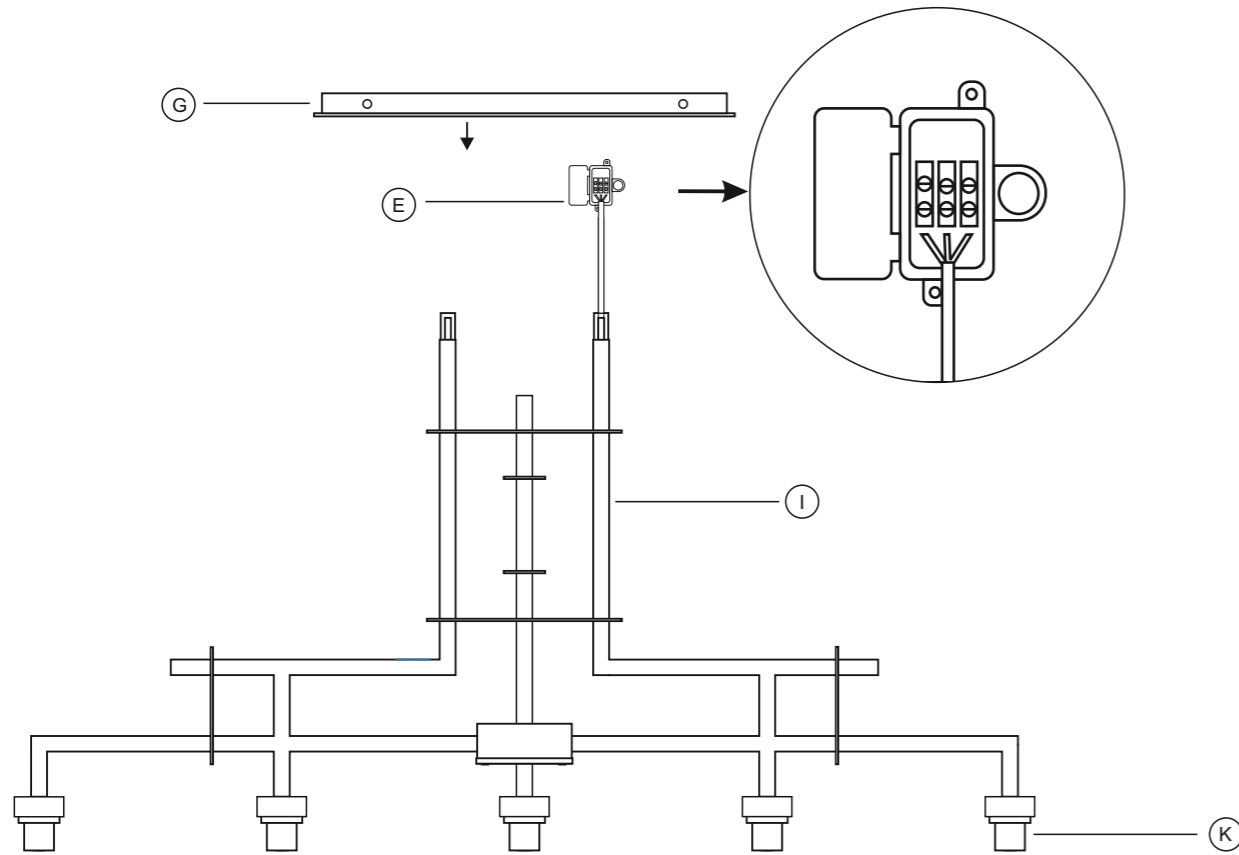
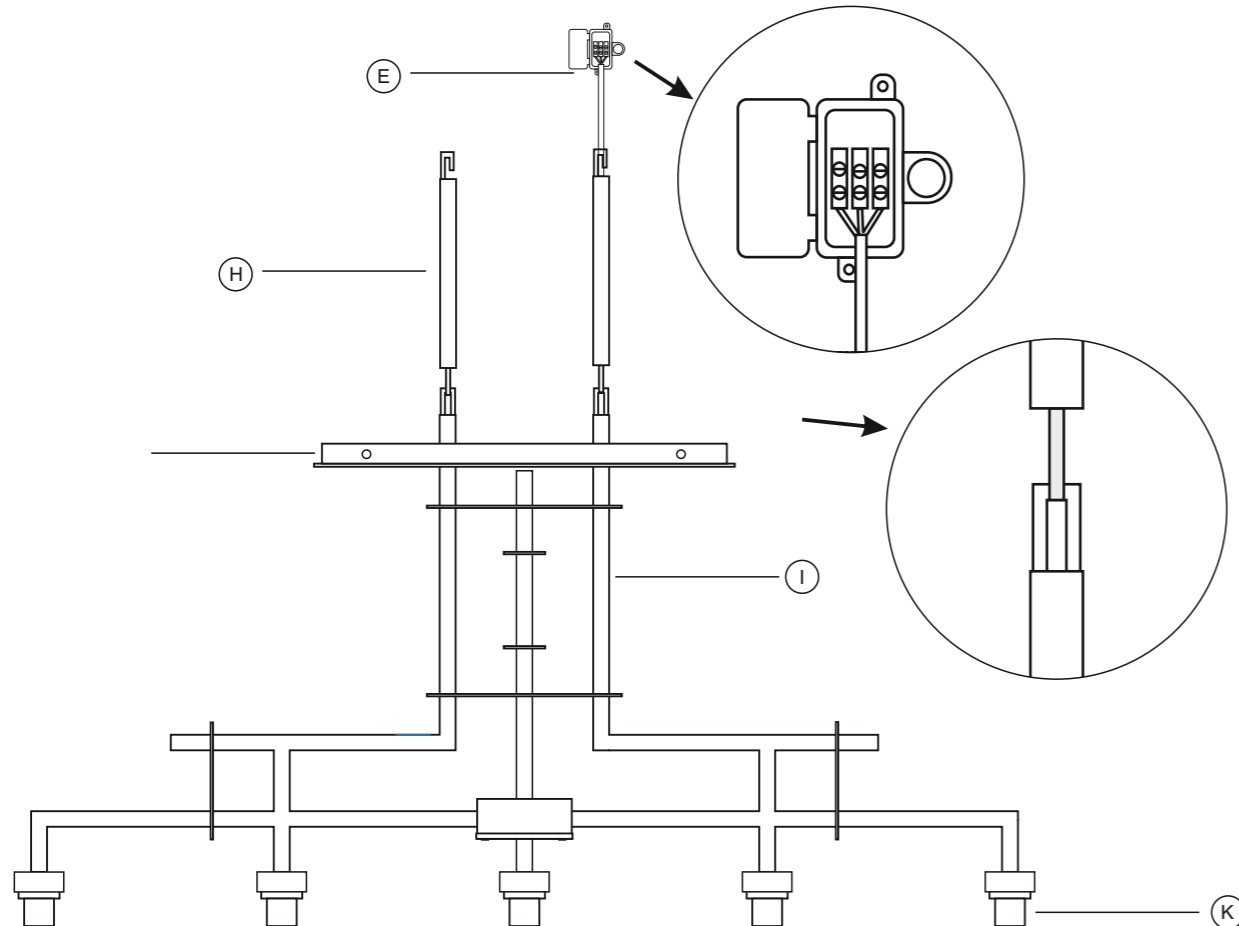


STEP 3 Connector Open : Open the connector from the wire, Insert the wire through canopy plate holes.



STEP 4 ATTACH CONNECTING PIPE : Insert the wire through the connecting pipe for desire height. Attach the connector back to the wire.



RF
RENOVATION
FACTORY

L060018121025GA

Assembly and Installation Instructions

Caution :

- BEFORE INSTALLING FIXTURE, MAKE SURE THE POWER TO THE CIRCUIT IS TURNED OFF AT THE MAIN FUSE BOX / CIRCUIT BREAKER UTILITY BOX.
- DO NOT INSTALL INTO A CEILING THAT CONTAINS RADIANT HEATING.

Important Safety Instructions :

- The ceiling fastener / threaded bolt are meant for drywall ceiling mounting only.
- The installation is not to be made on a radiant-heating ceiling.
- These instructions are provided for your safety. It is very important that they are read carefully and completely before beginning the assembly and installation of this lighting fixture.
- We strongly recommend that a professional electrician install all direct wire fixtures.
- This product must be installed in accordance with the applicable installation codes by a person familiar with construction and operation of the product and the hazards involved.
- The lighting fixture is meant for indoor use, dry locations only. It must be connected only to 3-wire, single-phase electrical supply systems (provided with Ground wire or equivalent protection system).
- For your safety, it is strongly recommended that two people install the lighting fixture.
- To avoid the risk of fire, do not exceed the recommended wattage.
- **Save these instructions.**












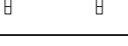

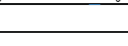
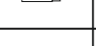
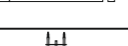

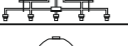
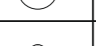



Warning :

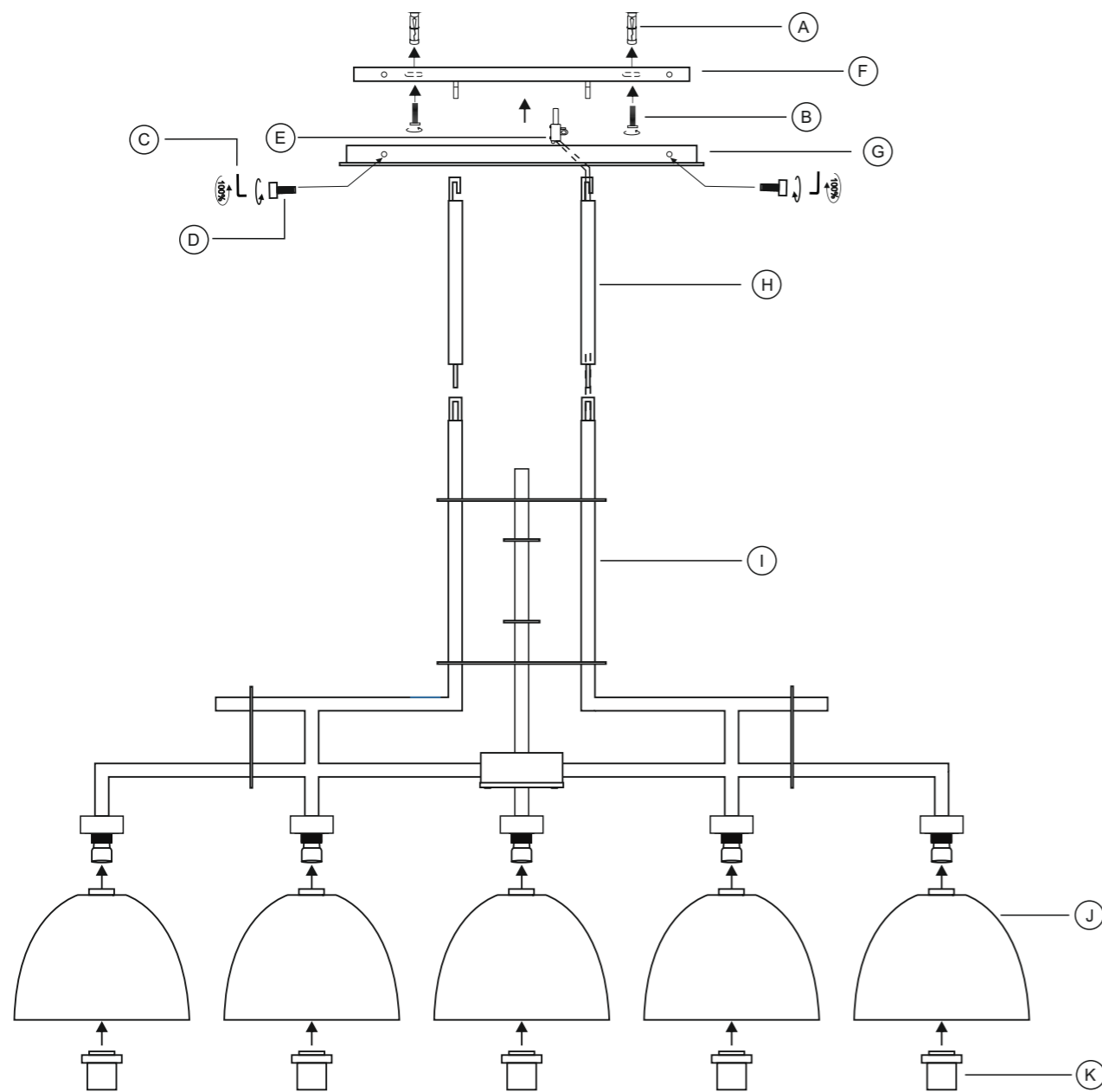
- To reduce the risk of fire, electrical shock or personal injury, always turn off light fixture and allow it to cool prior to replacing light bulb.
- Do not touch bulb when fixture is turned on. Do not look directly at lit bulb.
- Keep flammable materials away from lit bulb.

Pre-assembly :

- Remove all parts carefully and hardware from box along with any plastic protective packaging.
- Do not discard any contents until after assembly is complete to avoid accidentally discarding small parts
- For your safety and convenience, assembly by two people is recommended.

Parts Included :

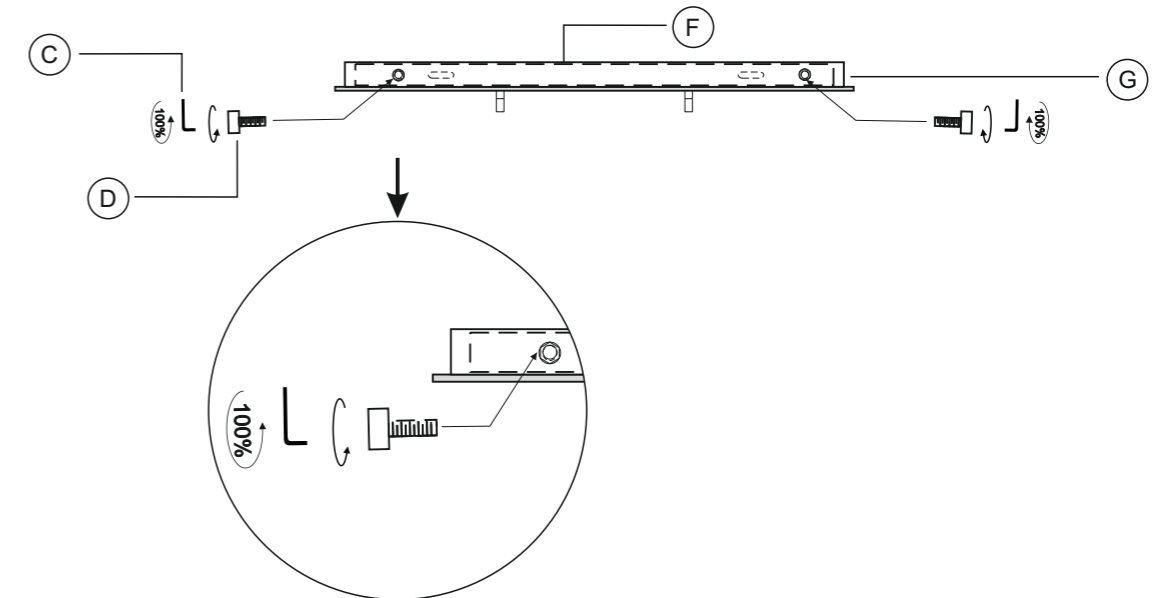
A			Fastener (Hardware Bag)	2
B			Threaded Bolt (Hardware Bag)	2
C			Allen Key (Hardware Bag)	1
D			Screw	4
E			Connector	1
F			Mounting Plate	1
G			Ceiling Canopy	1
H			Connecting Pipe 12"	2
I			Metal Frame	1
J			Glass Shade	5
K			Metal Holder Cap	5



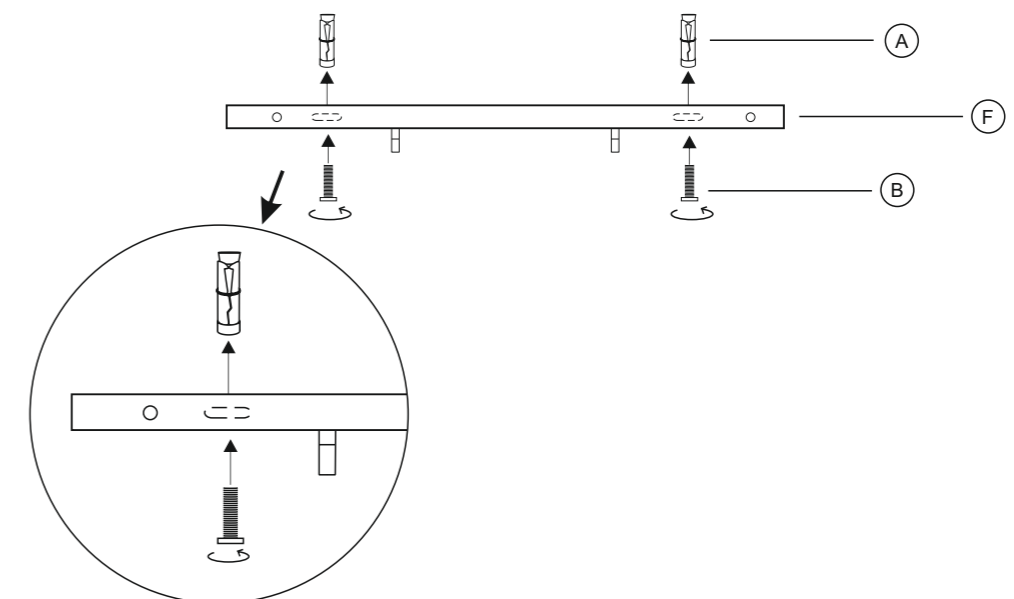
Assembly and Installation Instructions :

SHUT OFF THE MAIN ELECTRICAL SUPPLY FROM THE MAIN FUSE BOX/CIRCUIT BREAKER!
Carefully unpack all fixture parts and hardware and lay out them on a clear workspace.

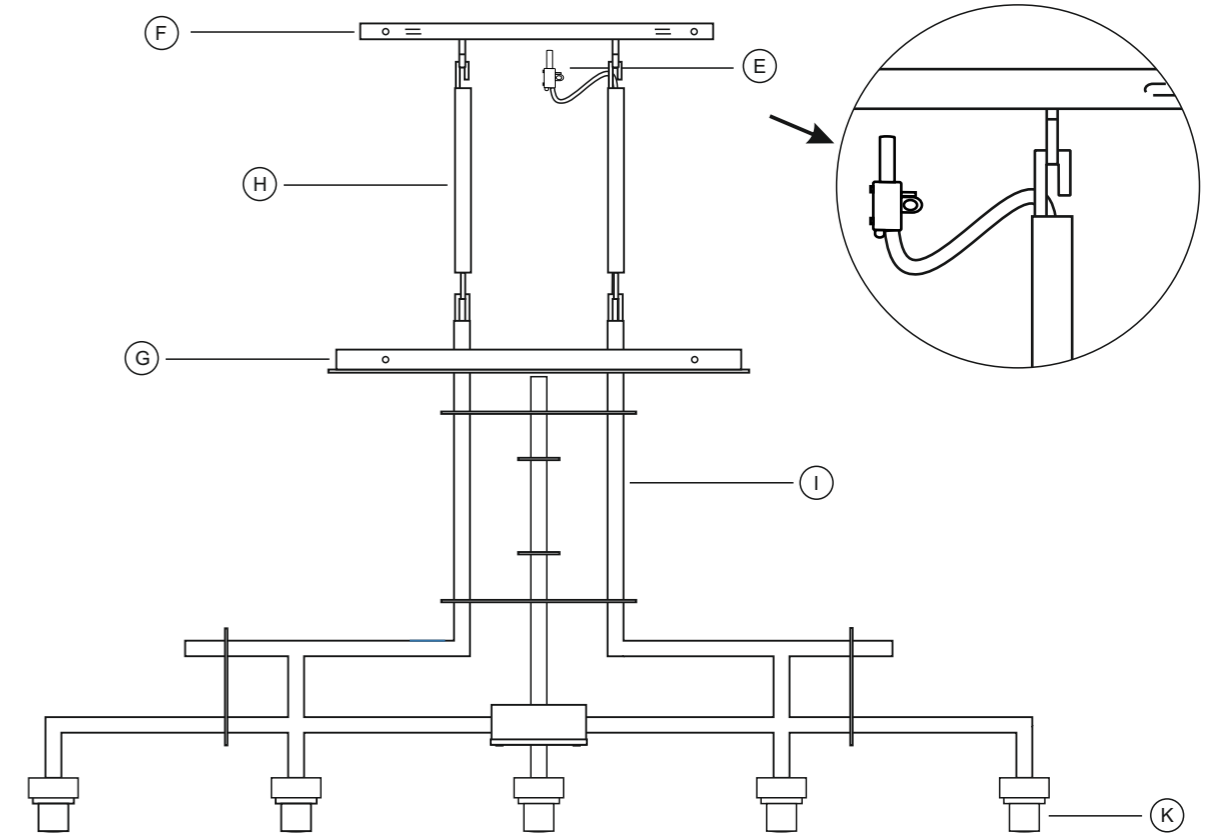
STEP 1 Unscrew Mounting Plate : Disassemble the mounting plate from the ceiling canopy as shown below, with the hardware provided.



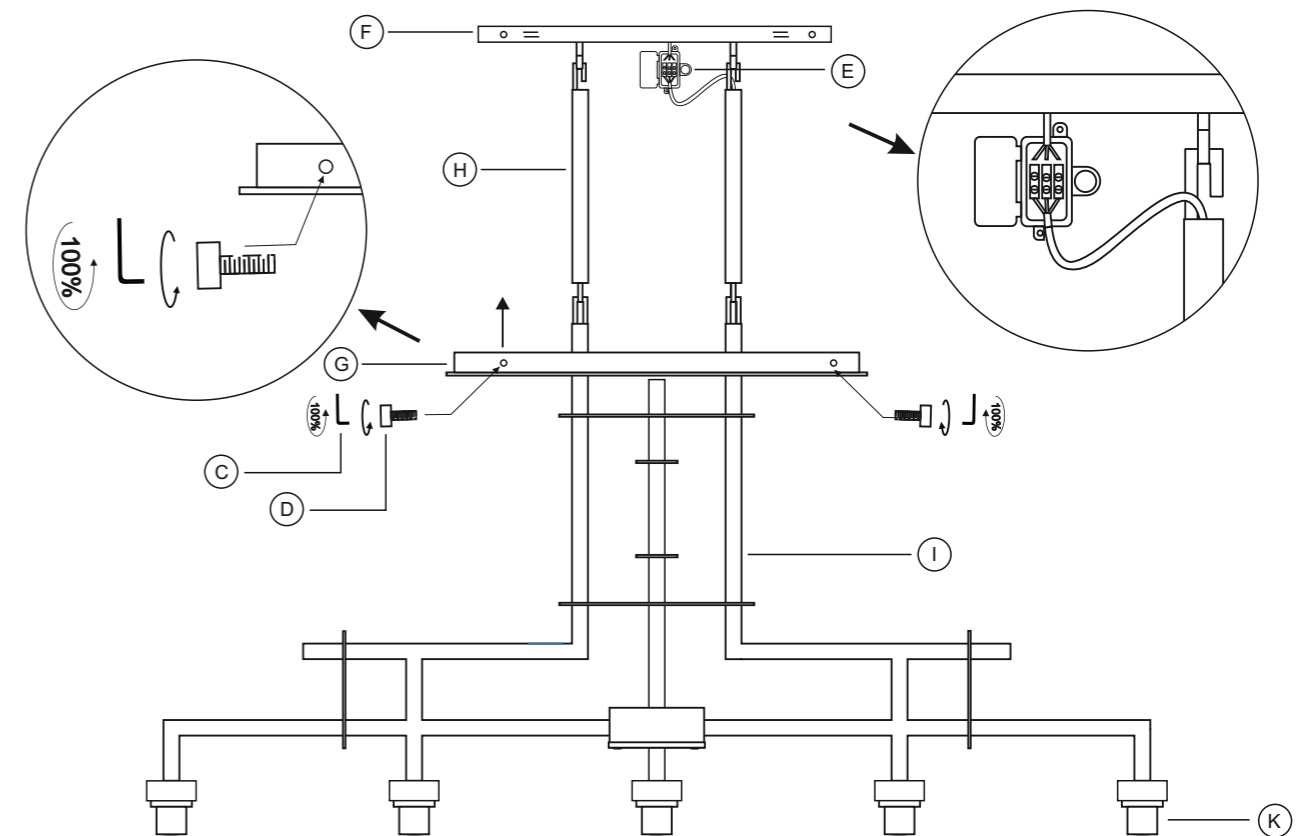
STEP 2 Installation Mounting Plate : Install the mounting plate to the ceiling using the fastener. Align with the two holes of the ceiling. Tighten the threaded bolt.



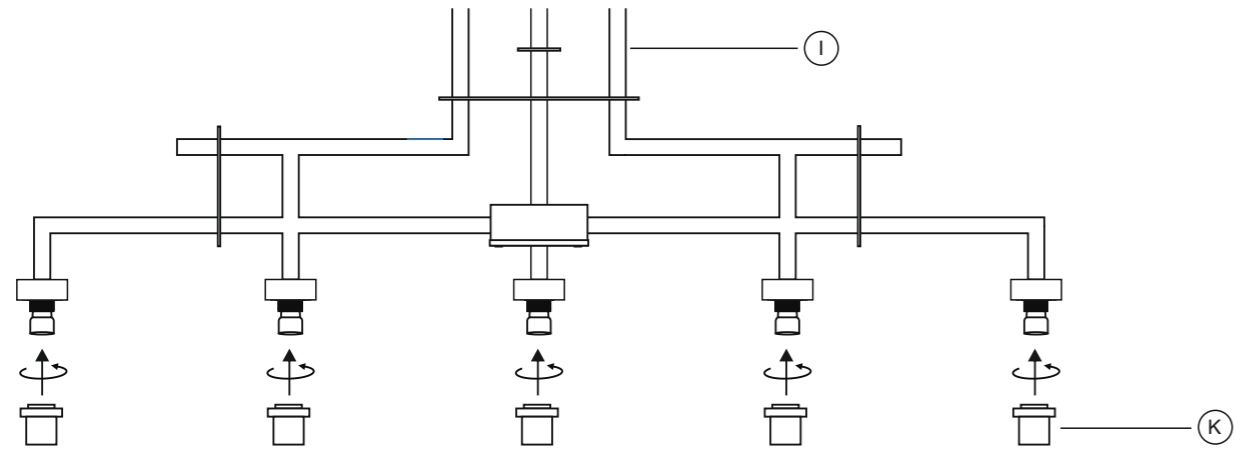
STEP 5 Hang the Chandelier : With the help of another person to hold the weight of the metal frame, raise the chandelier up over the mounting plate. Attach the hook to the mounting plate hook.



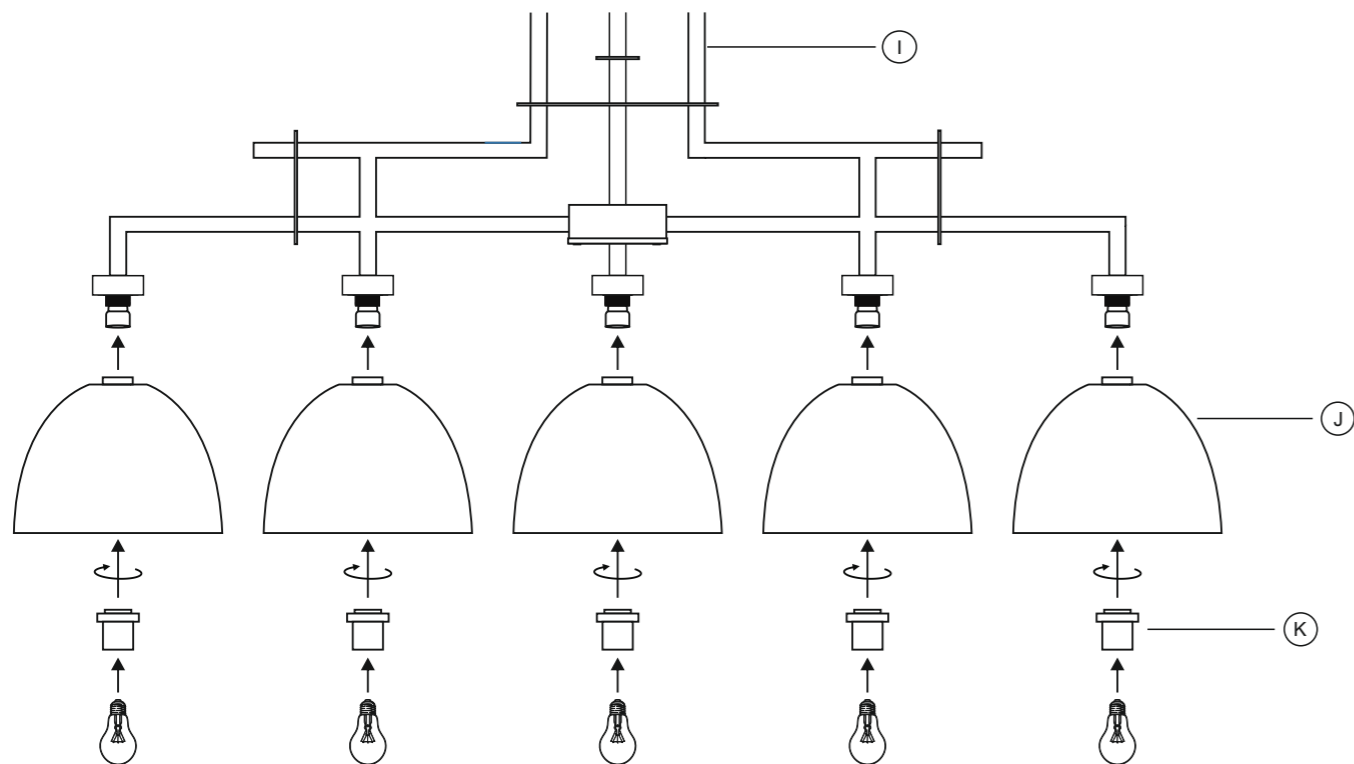
STEP 6 Mount the Ceiling Canopy : Take out the main wire through the mounting plate. Attach main wire to the connector. Attach the brown coloured wire to phase, blue coloured wire to neutral and green yellow coloured wire to earth. Fix the canopy to the mounting plate as shown below, and tighten with hardware provided.



STEP 7 Unscrew Holder : Unscrew the metal holder cap gently.

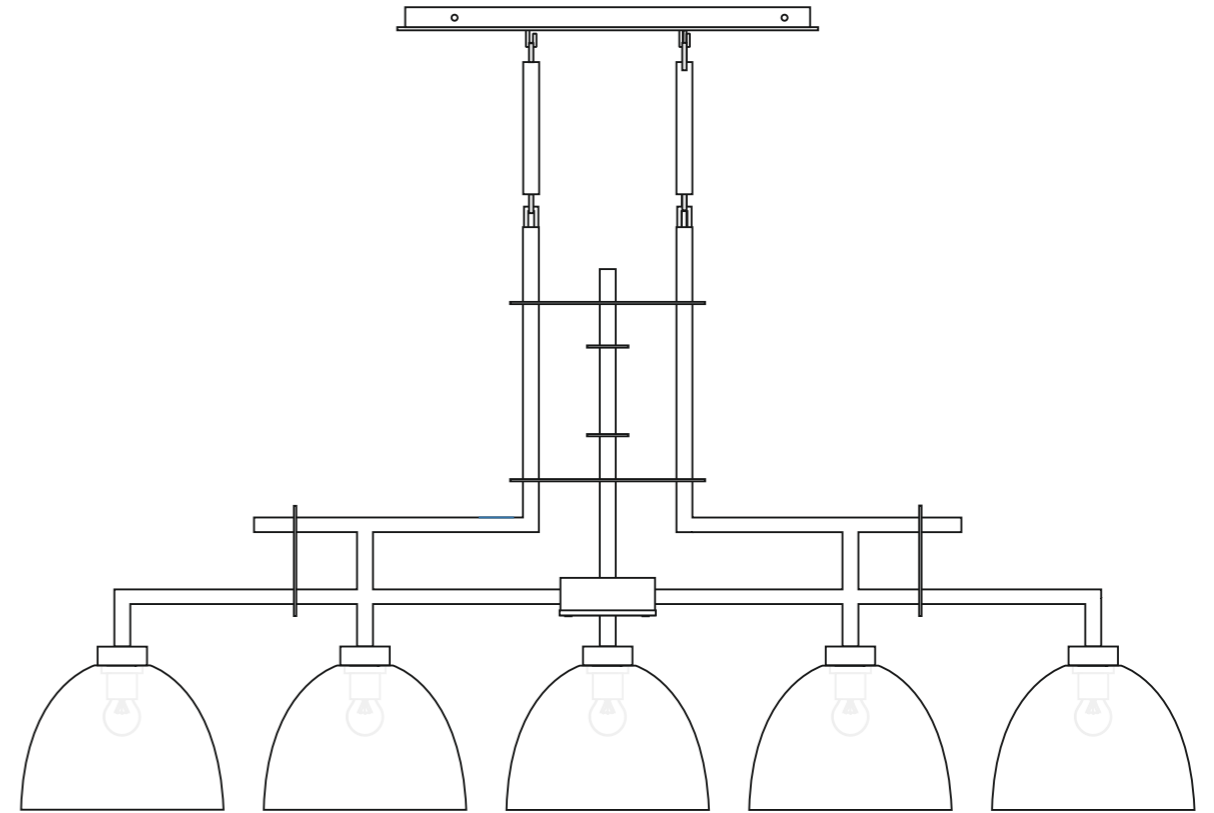


STEP 8 Assembling Glass Shades : Place the glass carefully, tighten the metal holder cap. Donot over tighten the metal holder cap. Attach bulb to holder.



STEP 9 Restore power to junction box and test fixture.

STEP 10 Now your product is ready for use.



CLEANING & CARE

- Dust regularly with a dry cloth.
- Do not use abrasive cleaners.
- Do not use chemical cleaners.
- Retain these instructions for reference.

