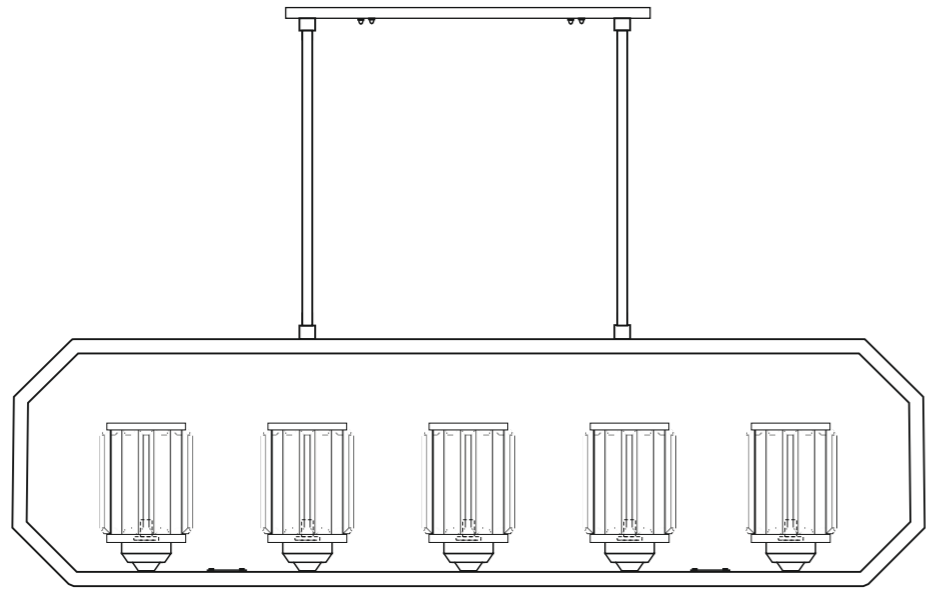


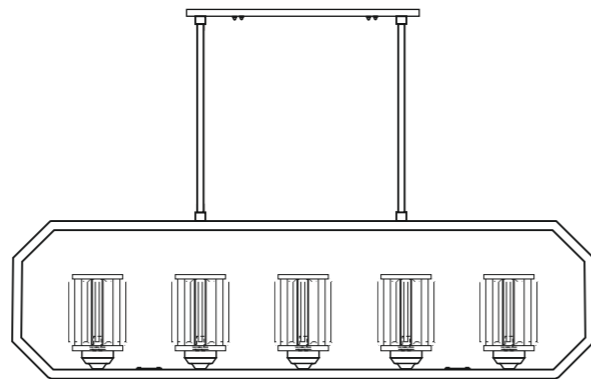
Final product image.



Now your product is ready for use.

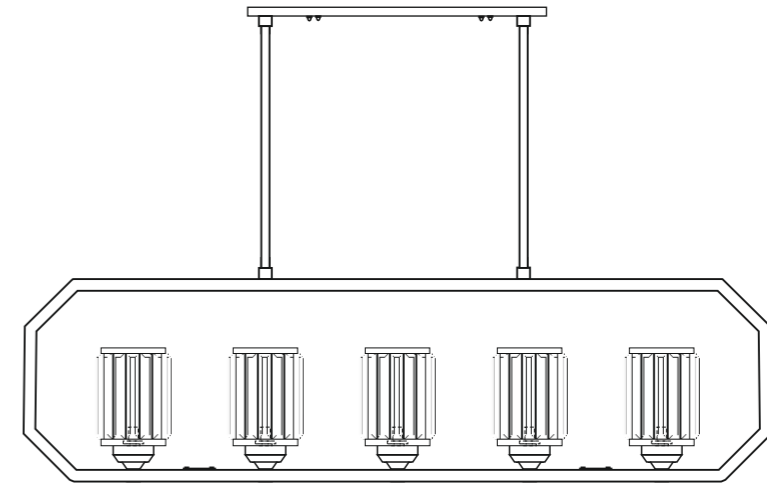
CLEANING & CARE

- Dust regularly with a dry cloth.
- Do not use abrasive cleaners.
- Do not use chemical cleaners.
- Retain these instructions for reference.

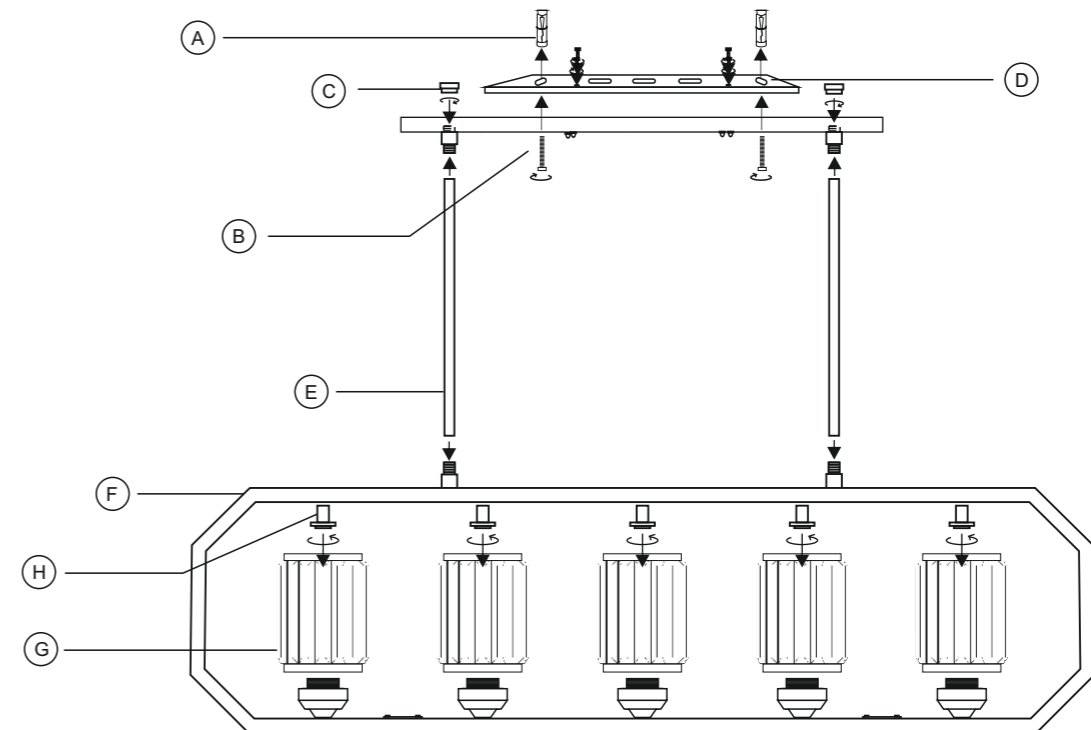


RF
RENOVATION
FACTORY

L060006154005EG



ASSEMBLY INSTRUCTIONS

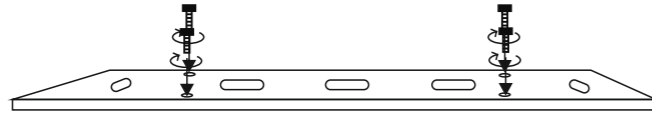


PARTS

A			Fashner (Hardware Bag)	2
B			Threaded Bolt (Hardware Bag)	2
C			Threaded bolt (Hardware Bag)	2
D			Canopy	1
E			Pipe Connector	2
F			Metal Frame	1
G			Glass	5
H			Metal Holder Cap	5

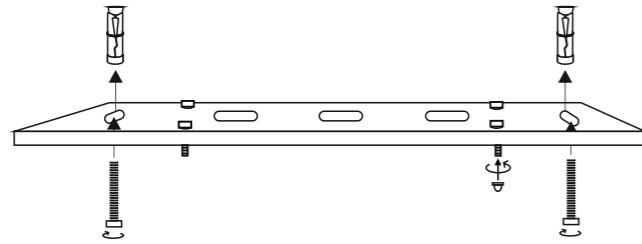
STEP 1

Insert the screws in the metal mounting strap for fixing it on the ceiling.



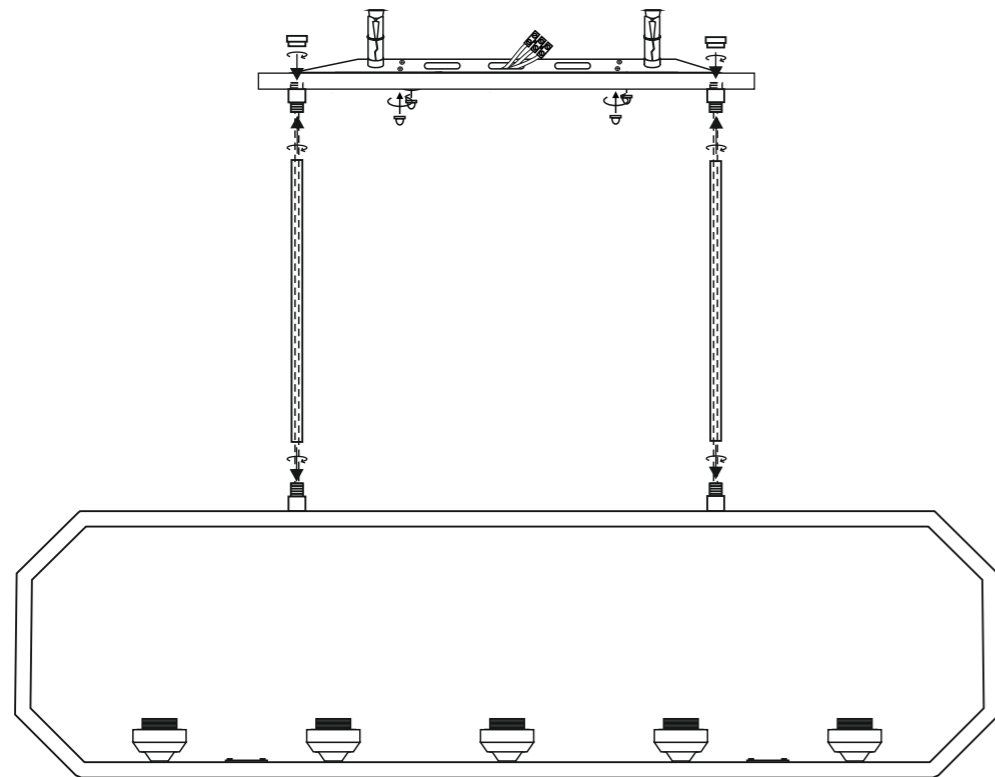
STEP 2

Fix the mounting strap to the ceiling properly with the hardware (screws) provided.



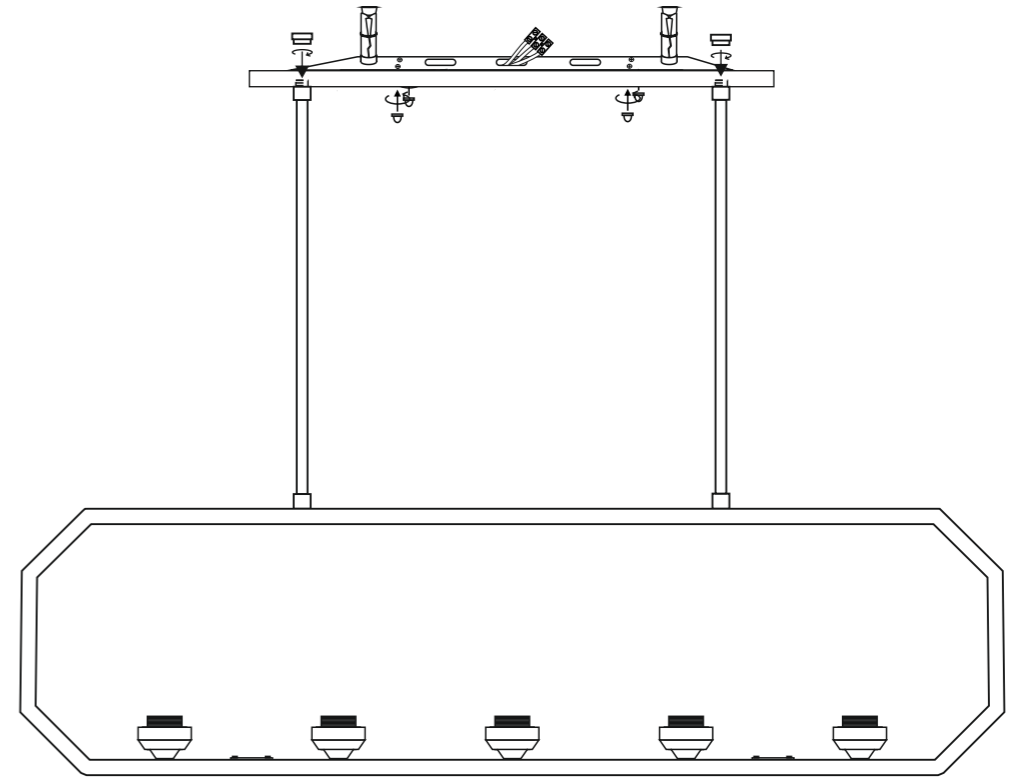
STEP 3

Fix the pipe connectors with mounting strap and metal frame to the properly.



STEP 4

Loose the cord grip for wire length adjustment, insert the wire through the pipe connector & canopy. Attached the brown coloured wire to phase, blue coloured wire to neutral and green yellow coloured wire to earth, and rotate the threaded bolt with pipe connector and fix the canopy to the mounting plate as shown below, and lock with hardware.



STEP 5

Rotate the metal holder cap in the glass pillar body gently.

