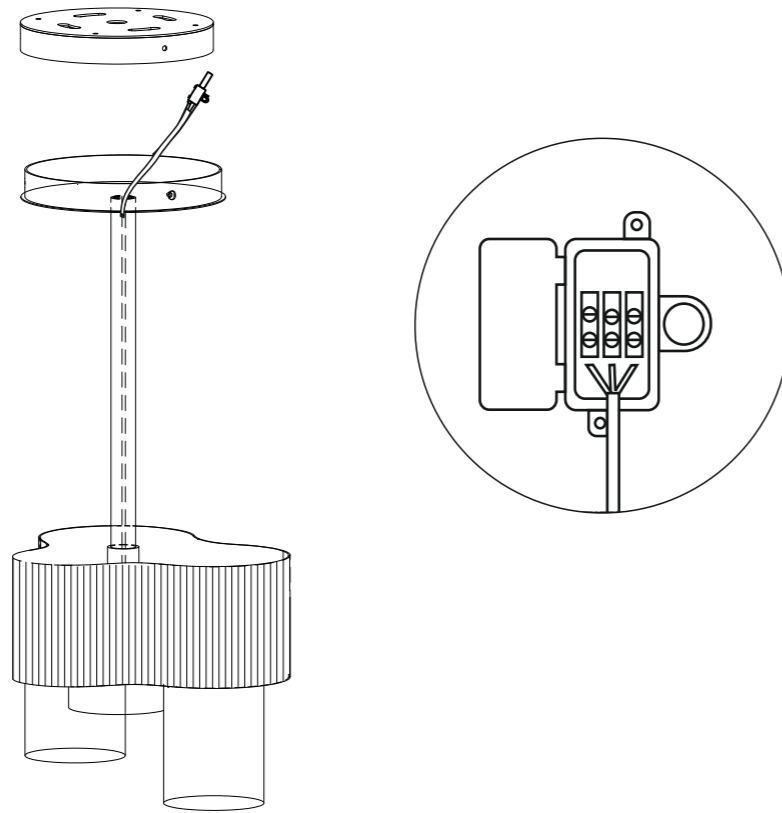
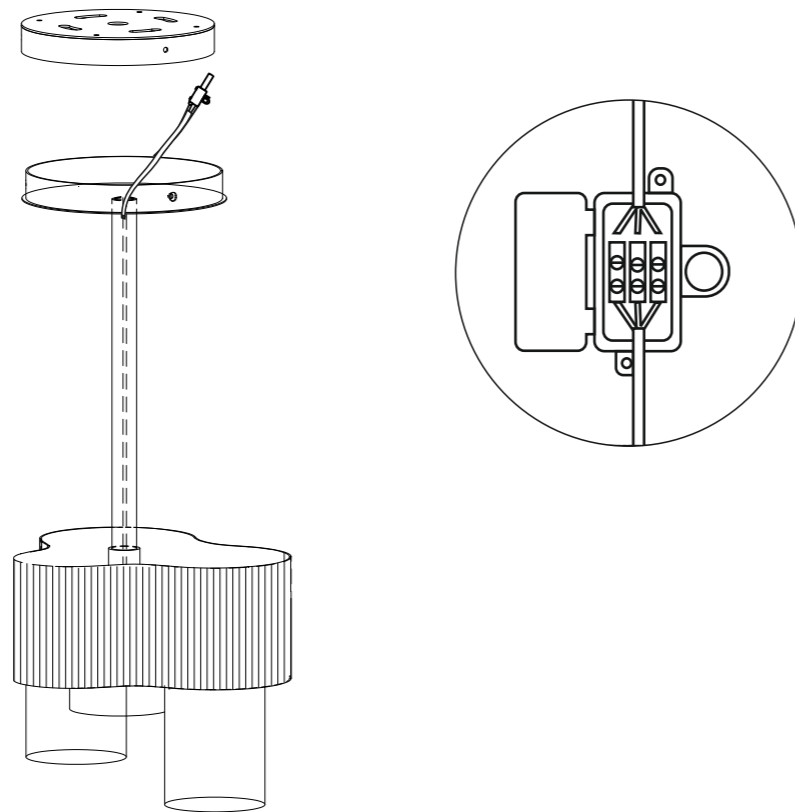


STEP 3 Connector Open : Open the connector from the wire.



STEP 4 Attach the Main Wire : Take out the main wire through the mounting plate. Attach main wire to the connector. Attach the brown coloured wire to phase, blue coloured wire to neutral and green yellow coloured wire to earth.



Assembly and Installation Instructions

Caution :

- BEFORE INSTALLING FIXTURE, MAKE SURE THE POWER TO THE CIRCUIT IS TURNED OFF AT THE MAIN FUSE BOX / CIRCUIT BREAKER UTILITY BOX.
- DO NOT INSTALL INTO A CEILING THAT CONTAINS RADIANT HEATING.

Important Safety Instructions :

- The ceiling fastener / threaded bolt are meant for drywall ceiling mounting only.
- The installation is not to be made on a radiant-heating ceiling.
- These instructions are provided for your safety. It is very important that they are read carefully and completely before beginning the assembly and installation of this lighting fixture.
- We strongly recommend that a professional electrician install all direct wire fixtures.
- This product must be installed in accordance with the applicable installation codes by a person familiar with construction and operation of the product and the hazards involved.
- The lighting fixture is meant for indoor use, dry locations only. It must be connected only to 3-wire, single-phase electrical supply systems (provided with Ground wire or equivalent protection system).
- For your safety, it is strongly recommended that two people install the lighting fixture.
- To avoid the risk of fire, do not exceed the recommended wattage.
- **Save these instructions.**










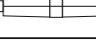



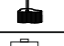




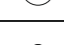



Warning :

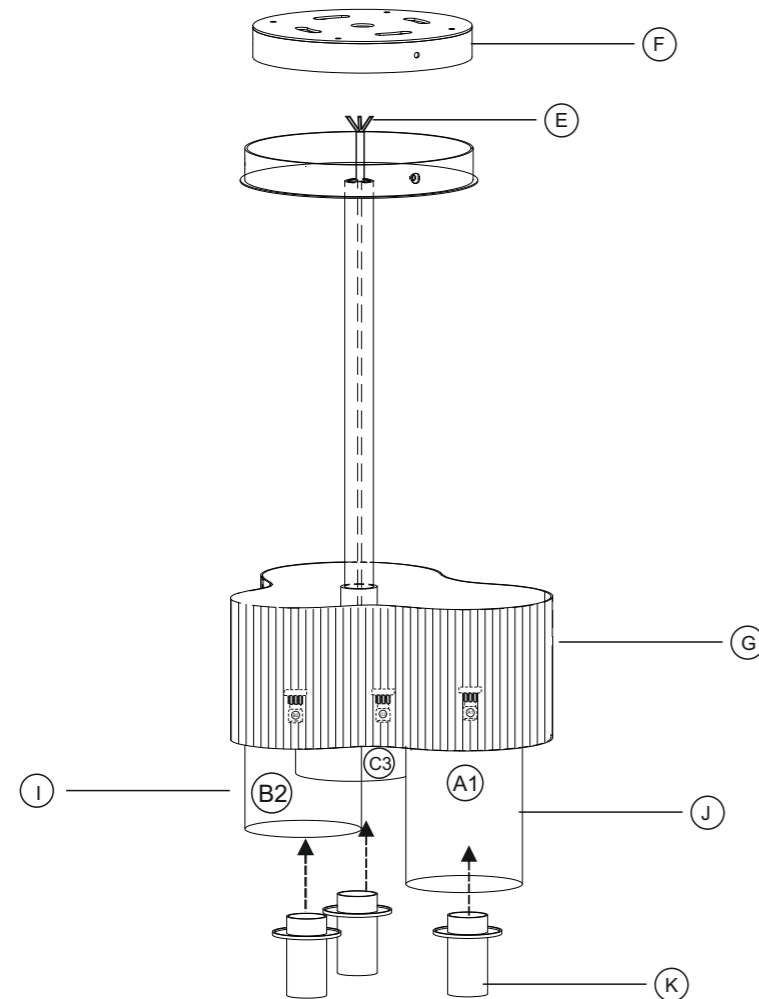
- To reduce the risk of fire, electrical shock or personal injury, always turn off light fixture and allow it to cool prior to replacing light bulb.
- Do not touch bulb when fixture is turned on. Do not look directly at lit bulb.
- Keep flammable materials away from lit bulb.

Pre-assembly :

- Remove all parts carefully and hardware from box along with any plastic protective packaging.
- Do not discard any contents until after assembly is complete to avoid accidentally discarding small parts
- For your safety and convenience, assembly by two people is recommended.

Parts Included :

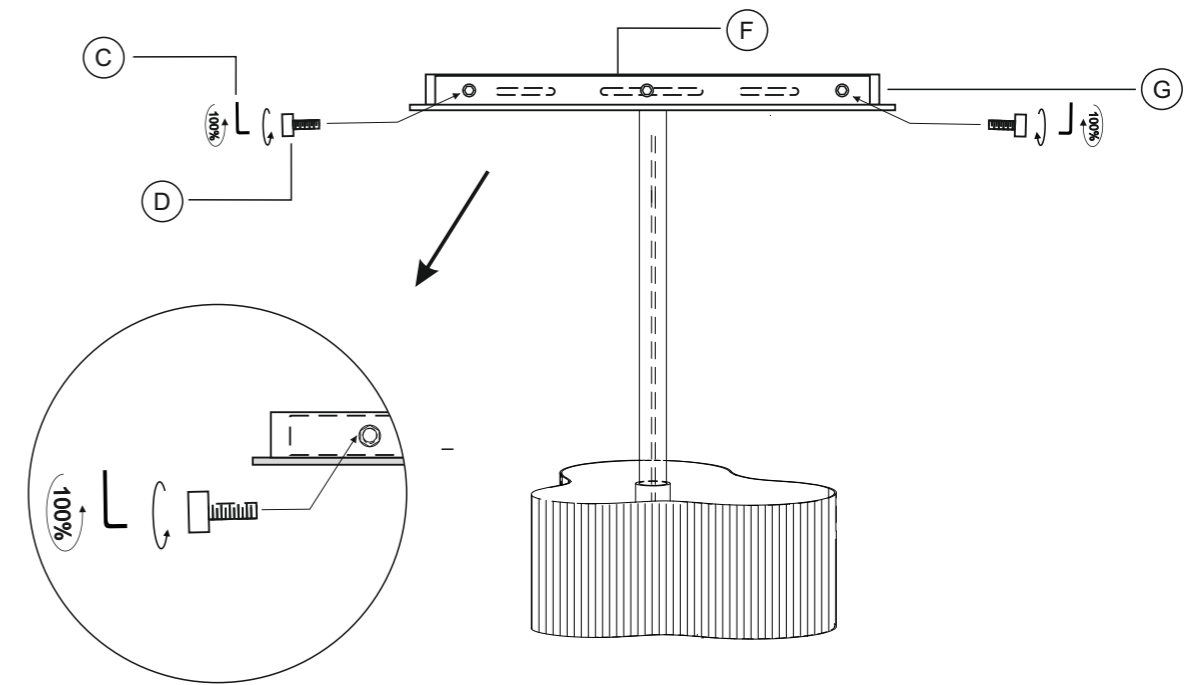
| | | | | |
|---|---|---|----------------------------------|---|
| A |  |  | Anchors screws (Hardware Bag) | 4 |
| B |  |  | Anchors (Hardware Bag) | 4 |
| C |  |  | Allen Key (Hardware Bag) | 1 |
| D |  |  | Screw | 3 |
| E |  |  | Connector | 1 |
| F |  |  | Mounting Plate | 1 |
| G |  |  | Metal Frame | 1 |
| H |  |  | Glass shade A1 | 1 |
| I |  |  | Glass shade B2 | 1 |
| J |  |  | Glass shade C3 | 1 |
| K |  |  | Metal Holder Cap | 3 |



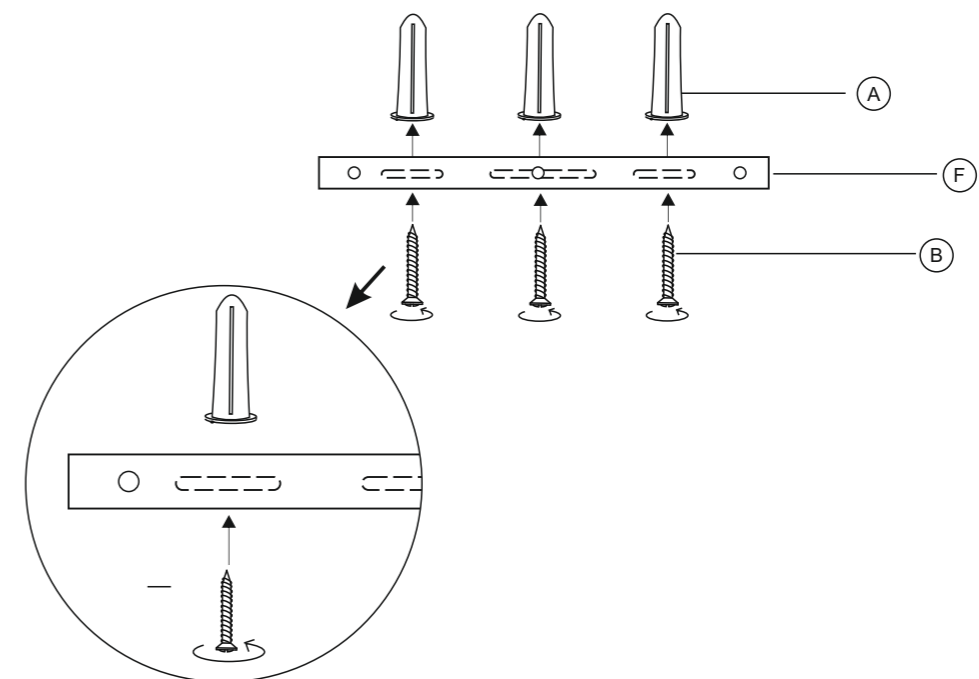
Assembly and Installation Instructions :

SHUT OFF THE MAIN ELECTRICAL SUPPLY FROM THE MAIN FUSE BOX/CIRCUIT BREAKER!
Carefully unpack all fixture parts and hardware and lay out them on a clear workspace.

STEP 1 Unscrew Mounting Plate : Disassemble the mounting plate from the ceiling canopy as shown below, with the hardware provided.

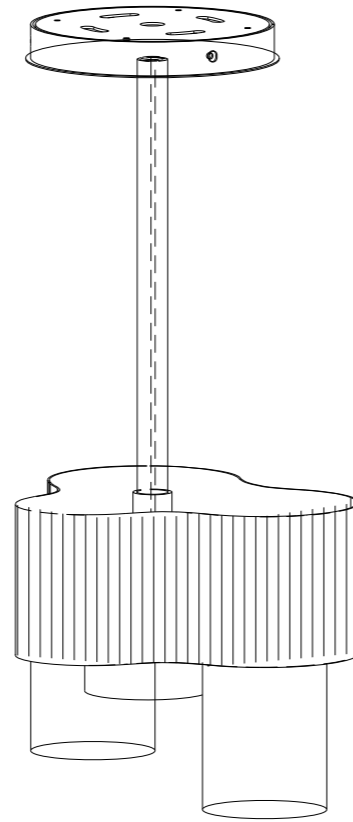


STEP 2 Installation Mounting Plate : Install the mounting plate to the ceiling using the anchor. Align with the four holes of the ceiling. Tighten the anchor screws.

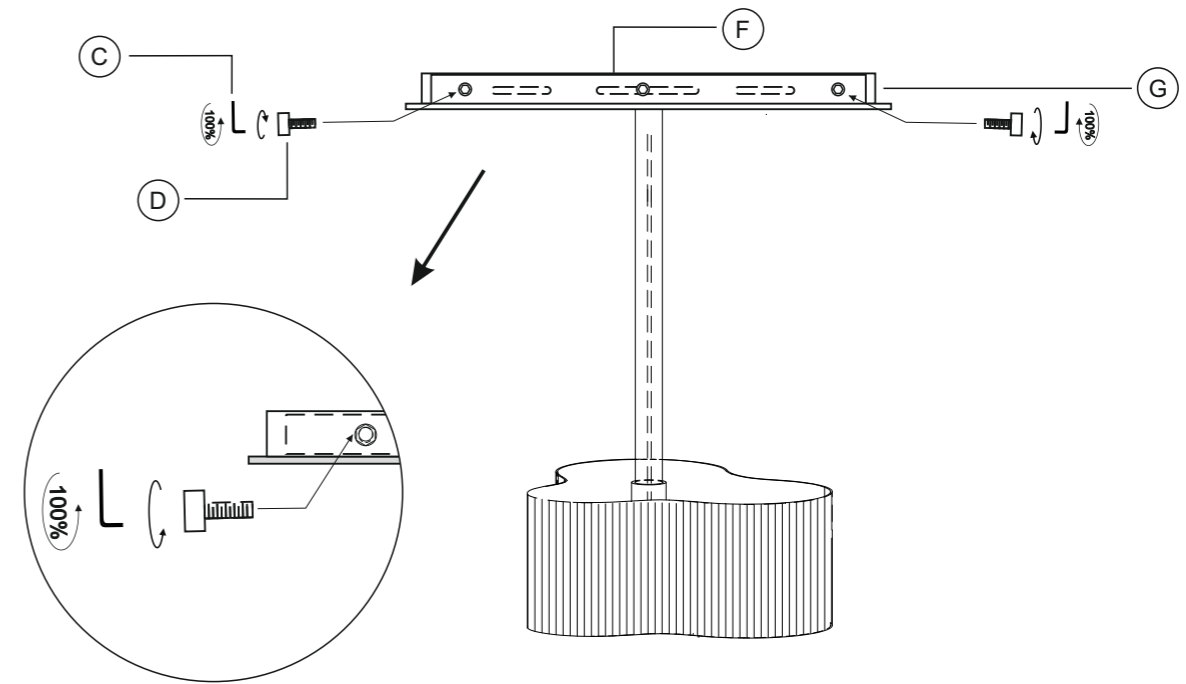


CLEANING & CARE

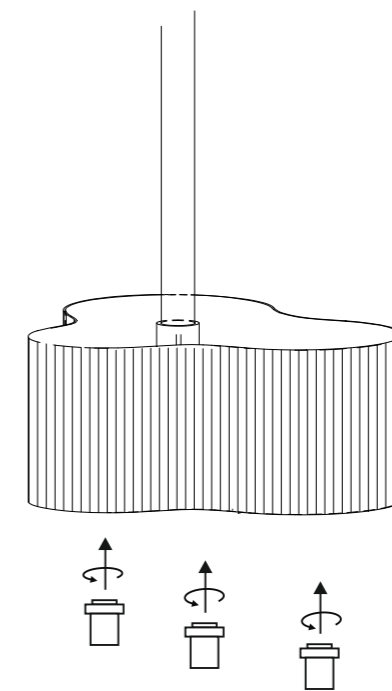
- Dust regularly with a dry cloth.
- Do not use abrasive cleaners.
- Do not use chemical cleaners.
- Retain these instructions for reference.



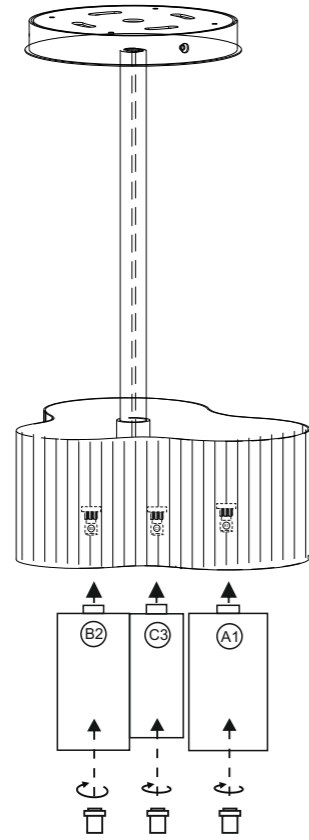
STEP 5 Mount the Metal Frame : Fix the metal frame to the mounting plate as shown below, and tighten with screw.



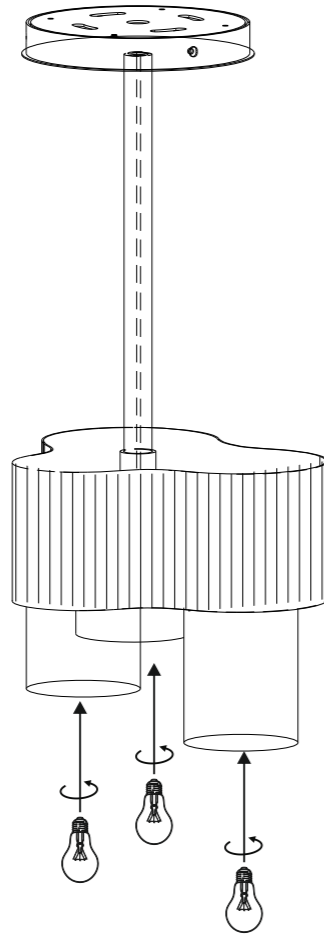
STEP 6 Unscrew Holder : Unscrew the metal holder cap gently



STEP 7 Assembling Glass Shades : Match the codes of the glass shade with the holder. Place the glass shade carefully, tighten the metal holder cap. Donot over tighten the metal holder cap.



STEP 8 Attach bulb to holder.



STEP 9 Restore power to junction box and test fixture.

STEP 10 Now your product is ready for use.

