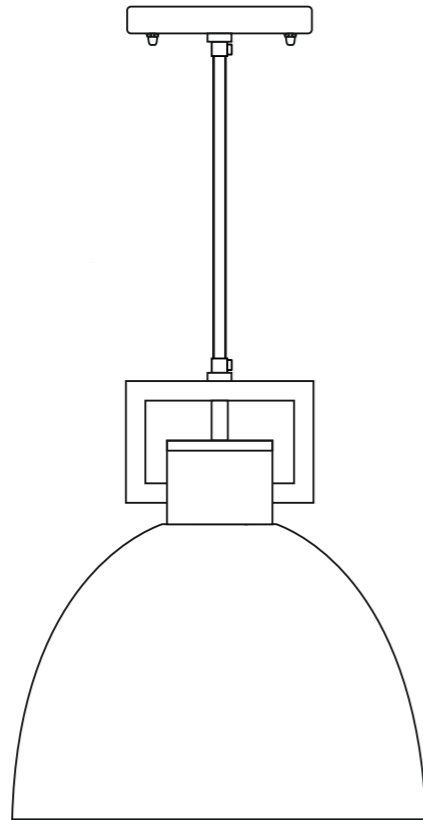


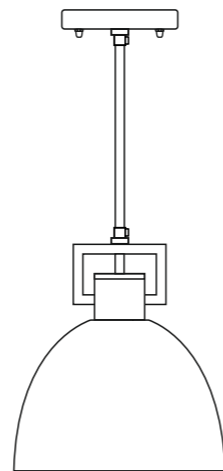
Final product image.



Now your product is ready for use.

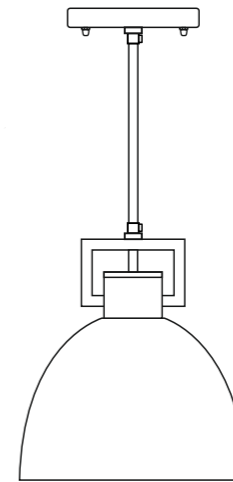
CLEANING & CARE

- Dust regularly with a dry cloth.
- Do not use abrasive cleaners.
- Do not use chemical cleaners.
- Retain these instructions for reference.

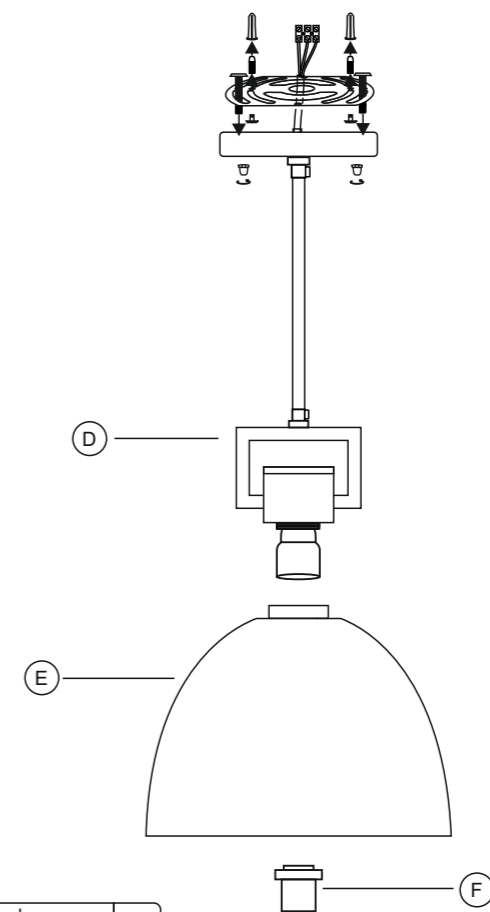


RF
RENOVATION
FACTORY

L040131023025FP



ASSEMBLY INSTRUCTIONS

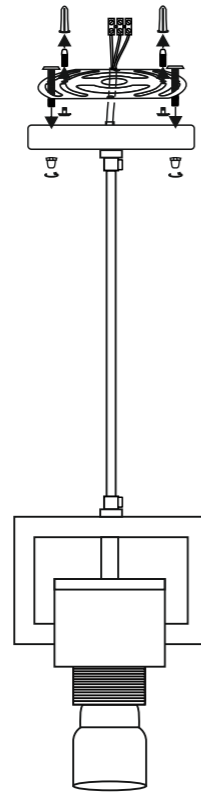


PARTS

A			Screw Anchors (Hardware Bag)	2
B			Screw (Hardware Bag)	4
C			Canopy	1
D			Metal Body Frame	1
E			Glass	1
F			Metal Holder Cap	1

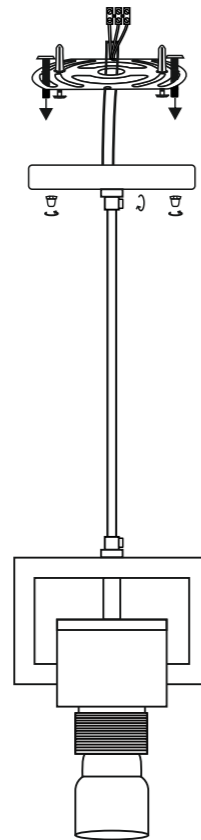
STEP 1

Get the mounting / installation done by a qualified electrician. Switch off the main electricity before installation. Fix the mounting strap to the plaster ceiling properly with hardware provided.



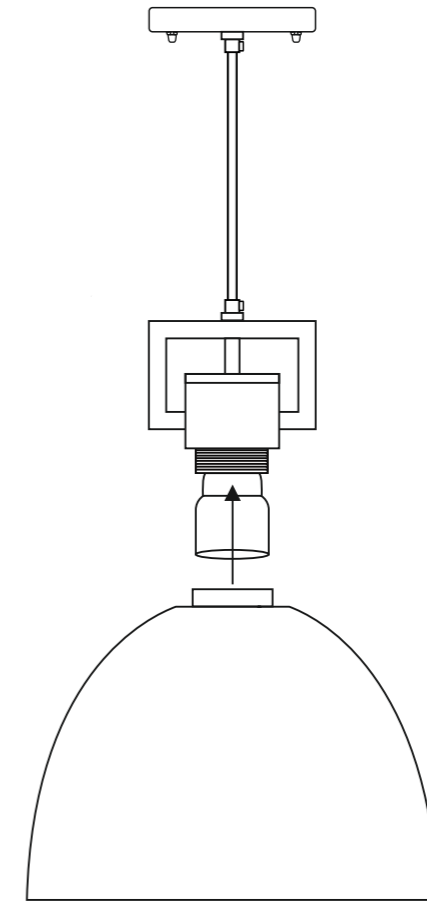
STEP 2

Loose the cord grip for wire length adjustment, insert the wire through the canopy. Attached the brown coloured wire to phase, blue coloured wire to neutral and green yellow coloured wire to earth, and fix the canopy to the mounting strap as shown below, and lock with hardware.



STEP 3

Put the glass in the metal holder frame.



STEP 4

Rotate the metal holder cap in the glass pillar body gently.

