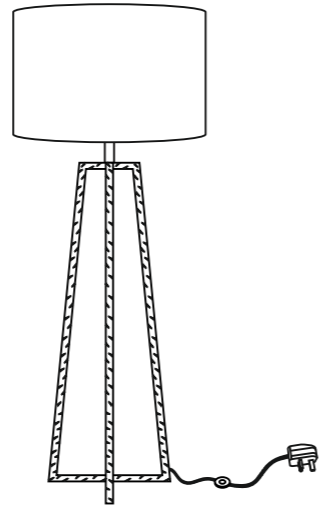


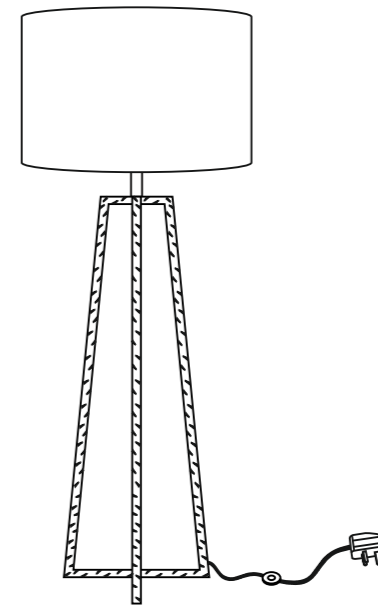
CLEANING & CARE

- Dust regularly with a dry cloth.
- Do not use abrasive cleaners.
- Do not use chemical cleaners.
- Retain these instructions for reference.

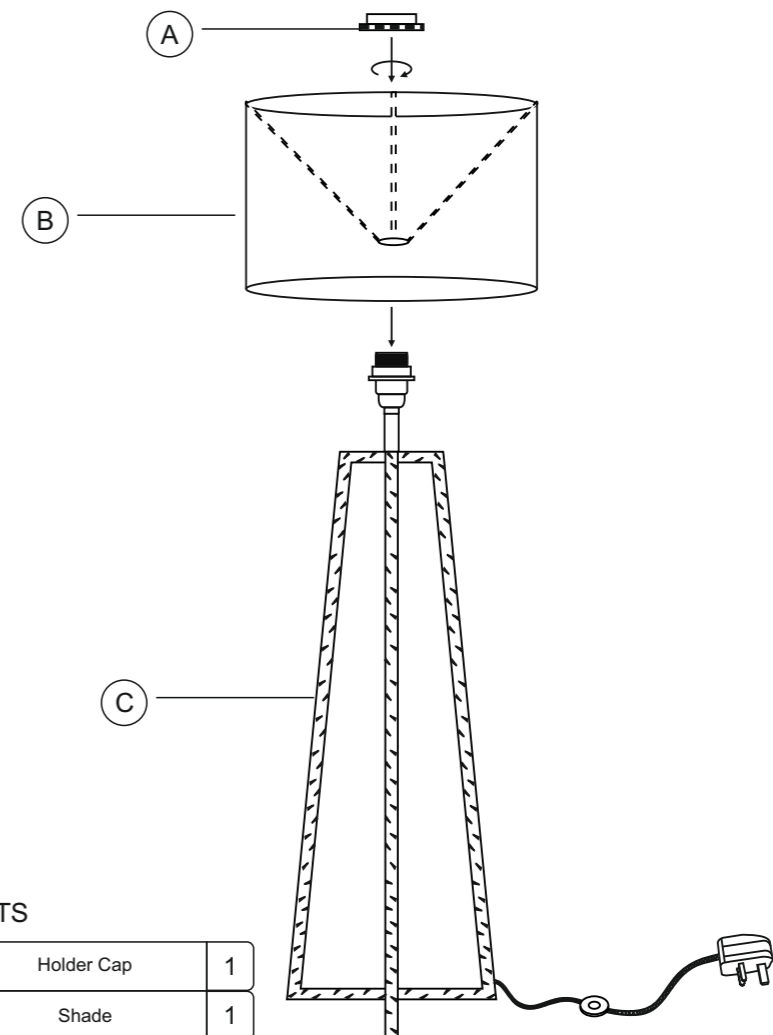


RF
RENOVATION
FACTORY

L030007000005GN



ASSEMBLY INSTRUCTIONS

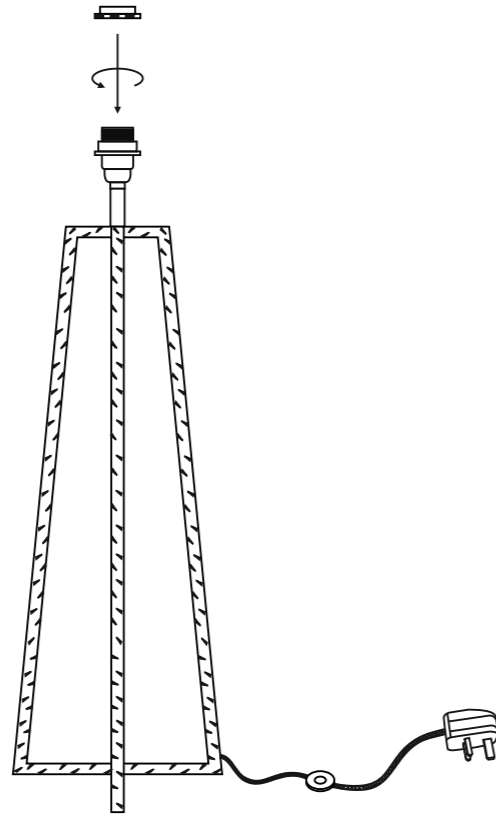


PARTS

| | | | | |
|---|---|--|-----------------|---|
| A | ⊙ | | Holder Cap | 1 |
| B | | | Shade | 1 |
| C | + | | Metal Lamp Body | 1 |

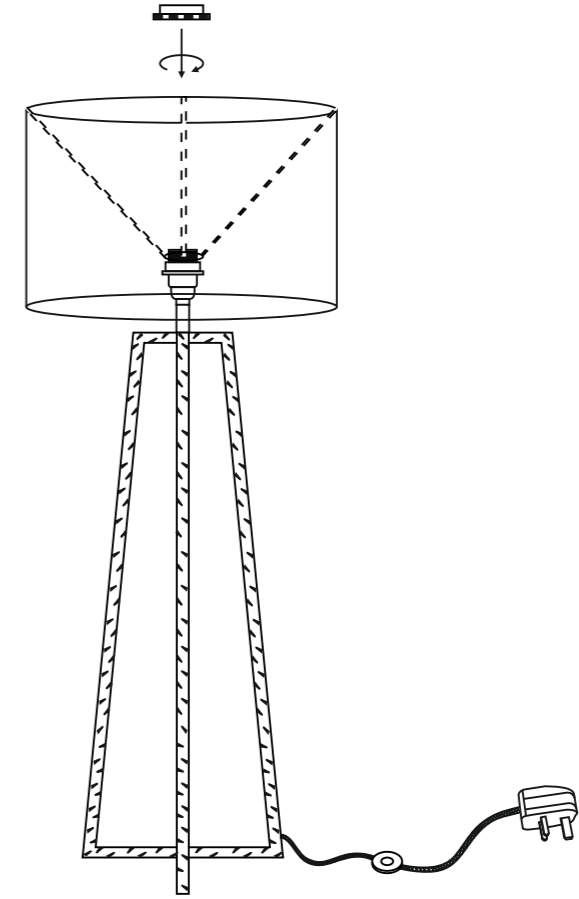
STEP 1

Remove the holder cap from the threaded holder gently.



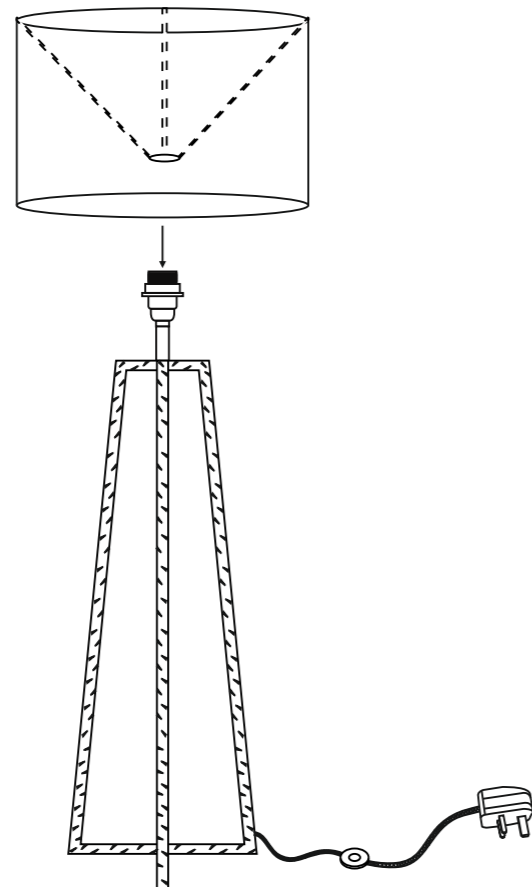
STEP 3

Rotate the holder cap onto the threaded holder gently.

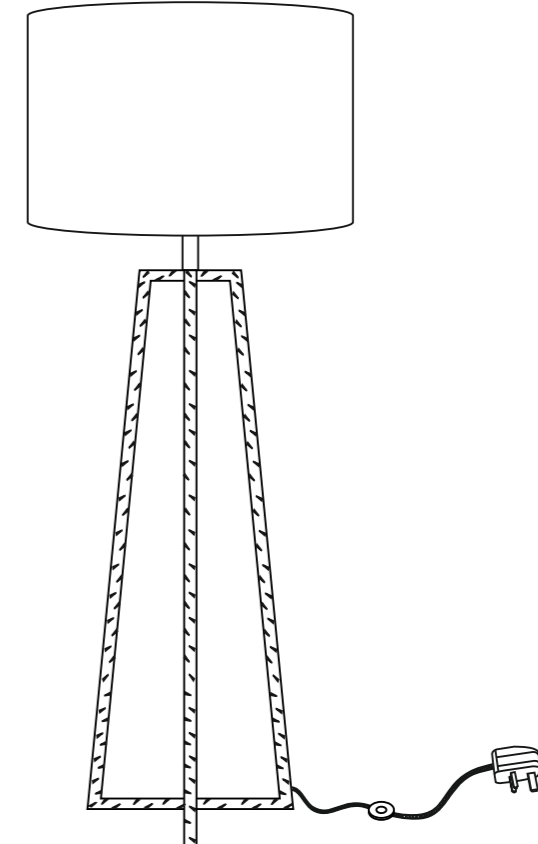


STEP 2

Place the center ring of shade through the threaded end of the holder.



Final product image.



Now your product is ready for use.