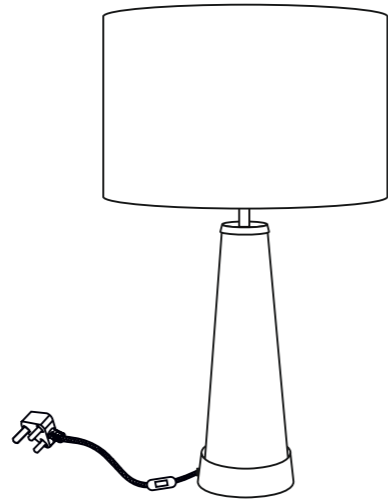


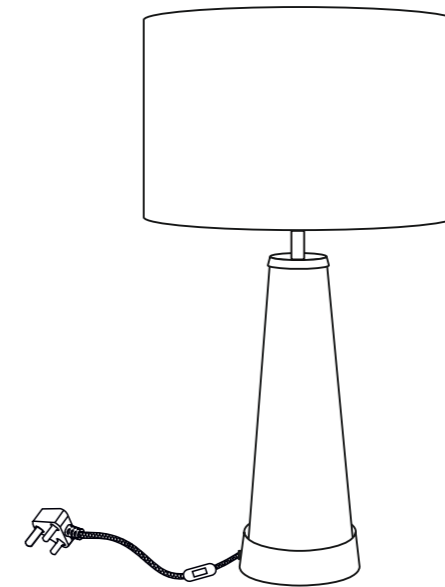
CLEANING & CARE

- Dust regularly with a dry cloth.
- Do not use abrasive cleaners.
- Do not use chemical cleaners.
- Retain these instructions for reference.

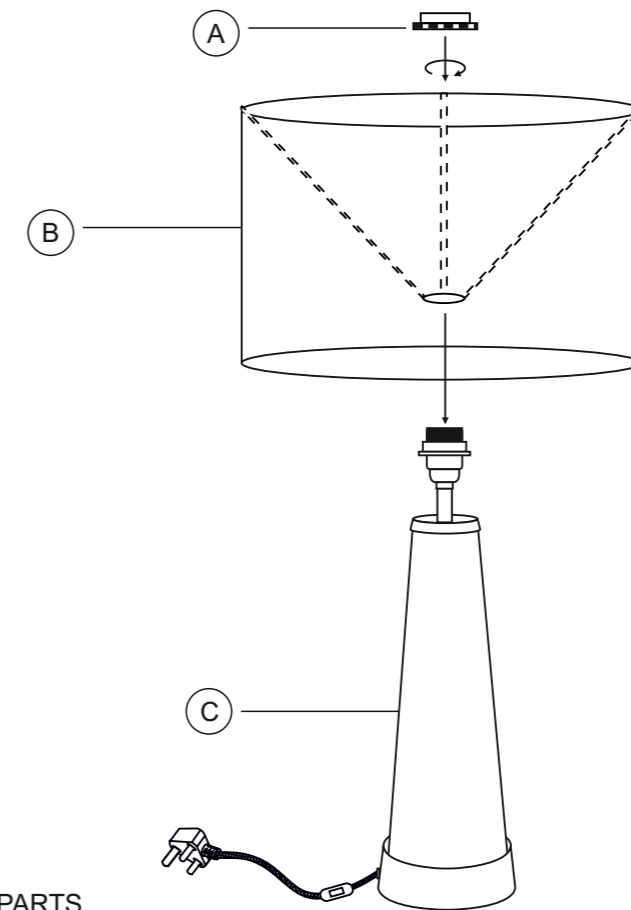


RF
RENOVATION
FACTORY

L010126420131GO



ASSEMBLY INSTRUCTIONS

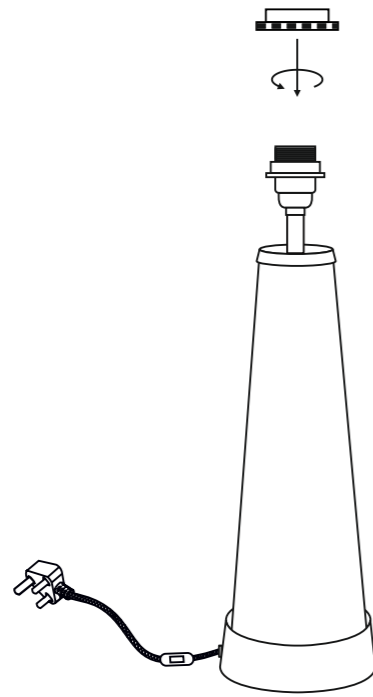


PARTS

A			Holder Cap	1
B			Shade	1
C			Lamp Body	1

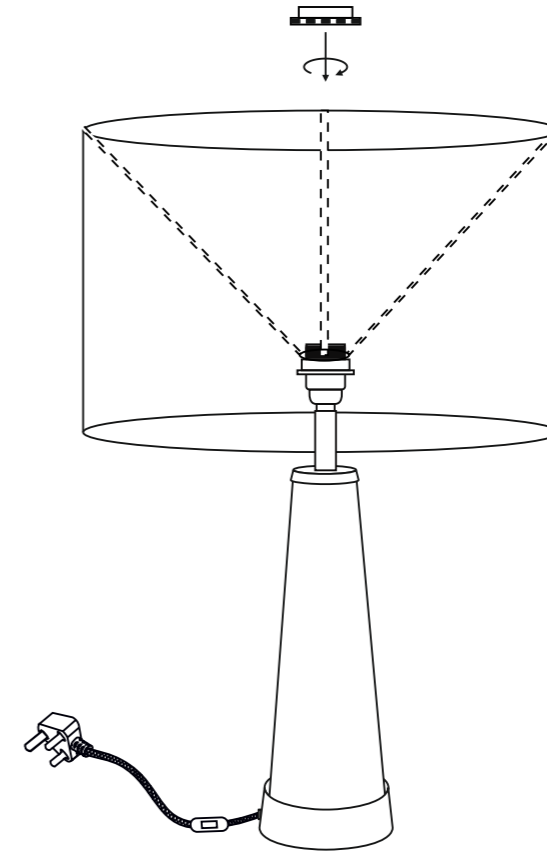
STEP 1

Remove the holder cap from the threaded holder gently.



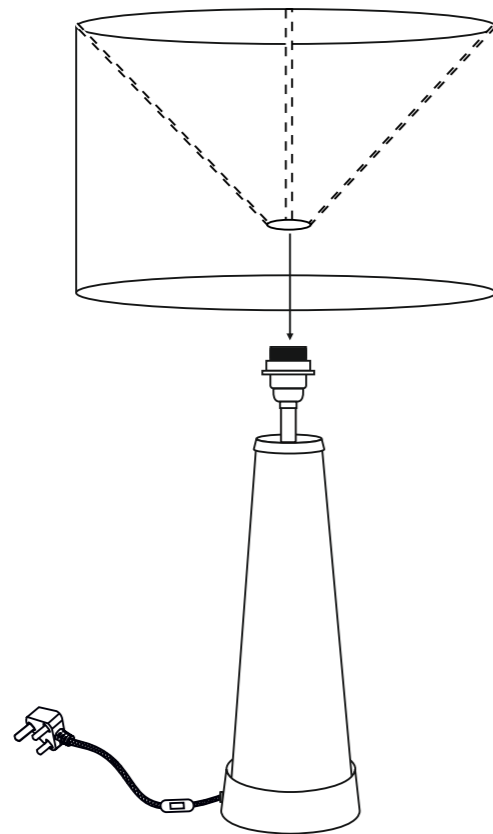
STEP 3

Rotate the holder cap onto the threaded holder gently.

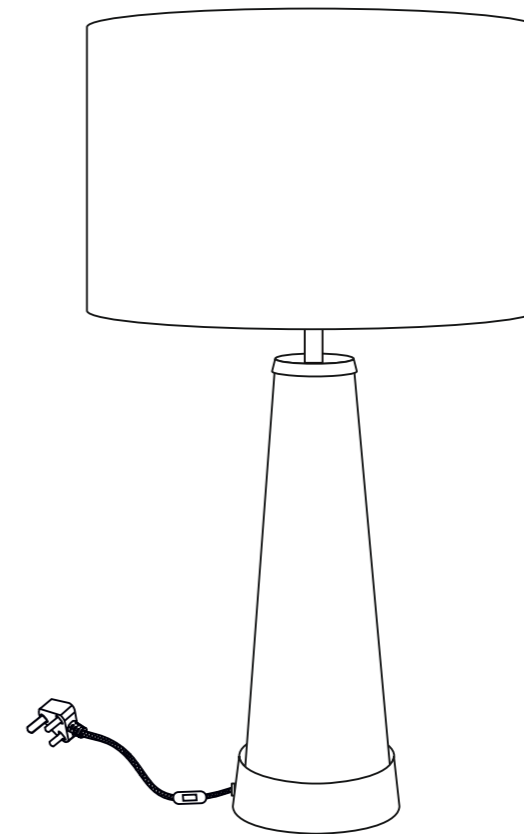


STEP 2

Place the center ring of shade through the threaded end of the holder.



Final product image.



Now your product is ready for use.