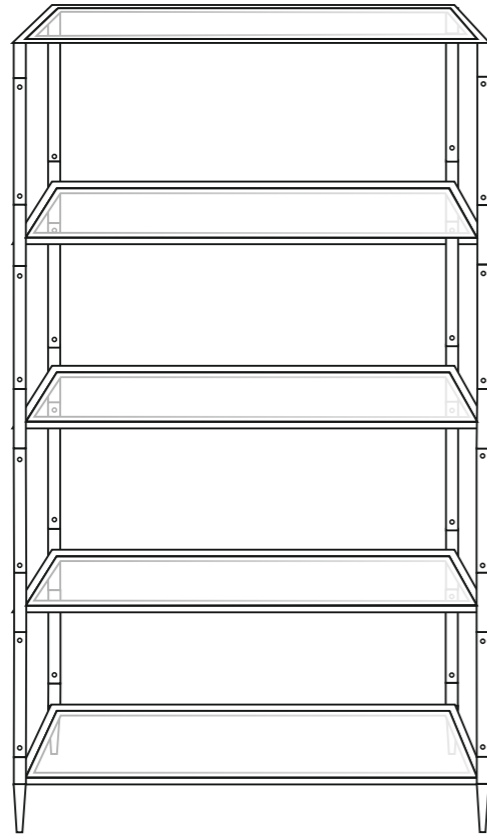


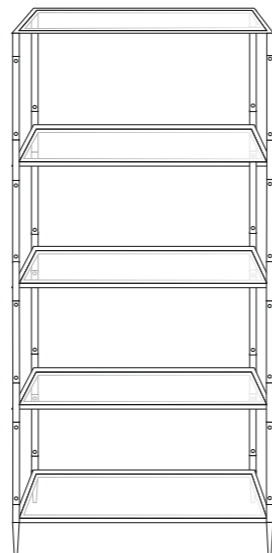
Final product image.



Now your product is ready for use.

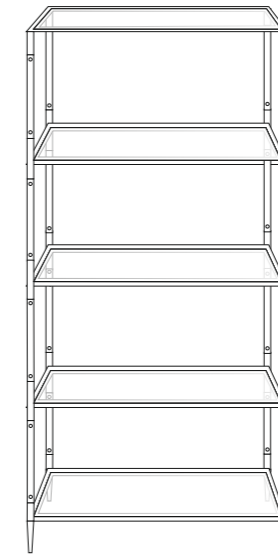
### CLEANING & CARE

- Wipe regularly with a dry cloth.
- It is not recommended to use furniture polish or sprays.
- Spillages should be removed immediately using a damp cloth, then dried thoroughly.
- Do not use abrasive cleaners.
- Do not use chemical cleaners.
- Always use heat proof placemats or coasters to protect the surface.
- Do not position your furniture in front of radiators, fires or direct sources of heat.
- Do not stand or sit on this product.
- Retain these instructions for reference.

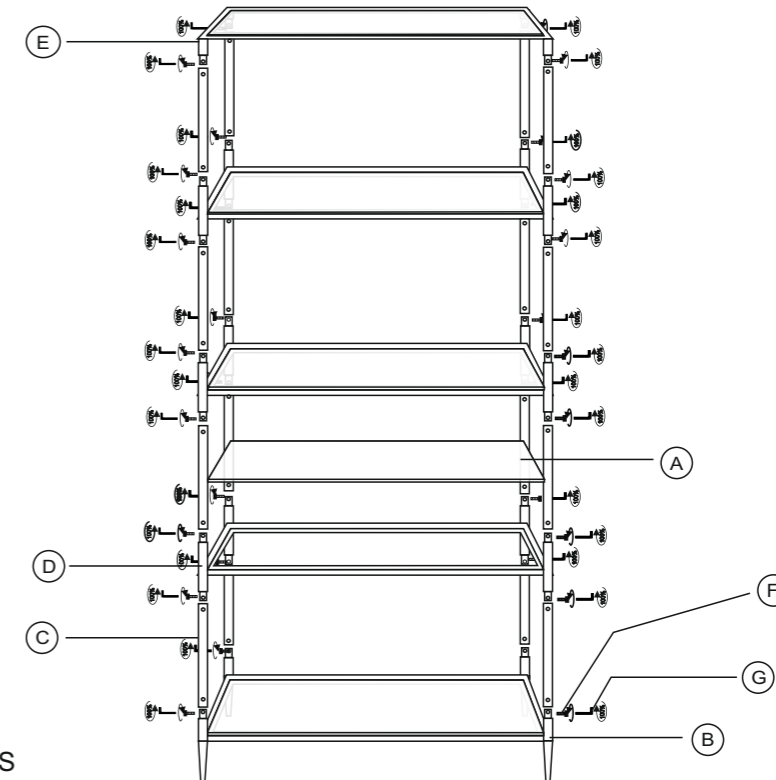


**RF**  
RENOVATION  
FACTORY

F11002415700300



### ASSEMBLY INSTRUCTIONS

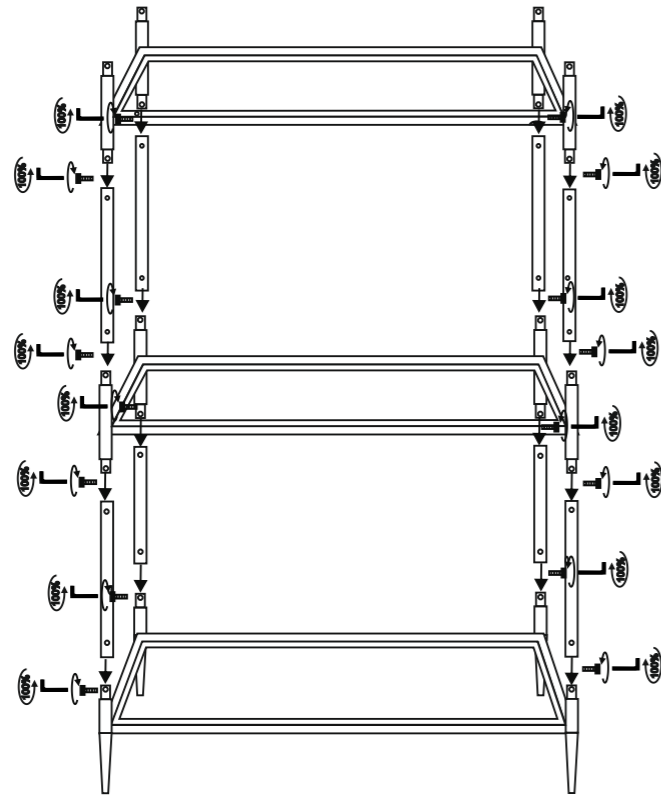


### PARTS

A		Glass	5
B		Bottom Metal Frame	1
C		Metal Pipe Connector	16
D		Top Bottom Connector	3
E		Top Metal Frame	1
F		Screw (Hardware Bag)	32
G		Allen Key (Hardware Bag)	1

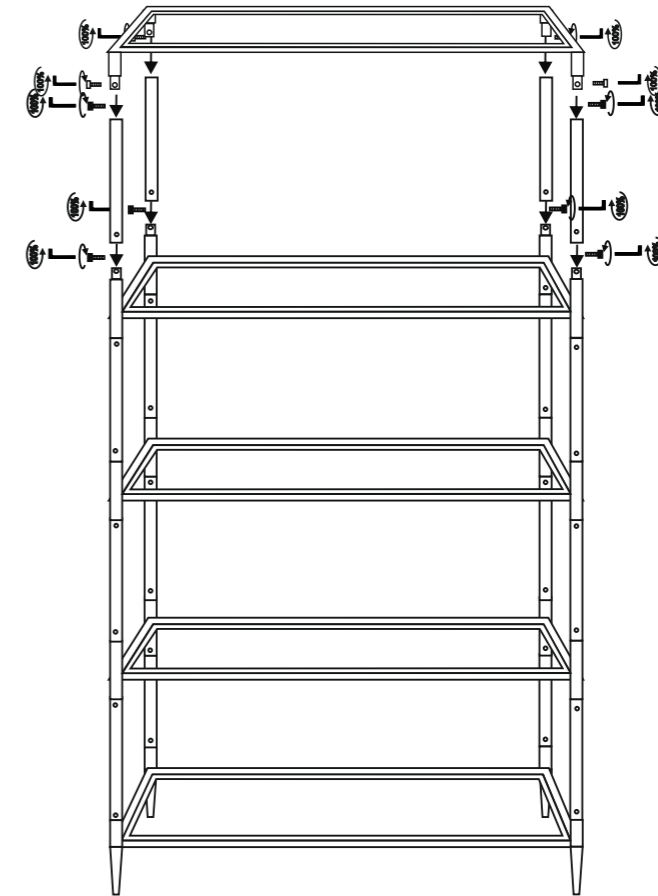
STEP 1

Assemble the bottom metal frame with metal pipe connector using short secure all screws tightly by using Allen Key.



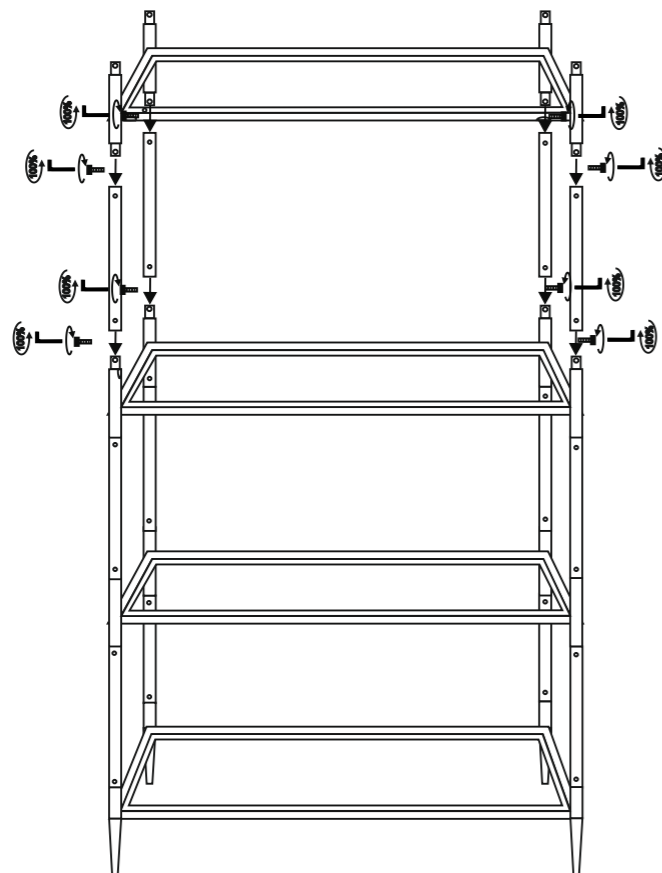
STEP 3

Assemble the top metal frame with metal pipe connector using short secure all screws tightly by using Allen Key.



STEP 2

Assemble the top and bottom connector with metal pipe connector using short secure all screws tightly by using Allen Key.



STEP 4

Place the glass carefully on the soft transparent tabs pasted on the metal frame.

