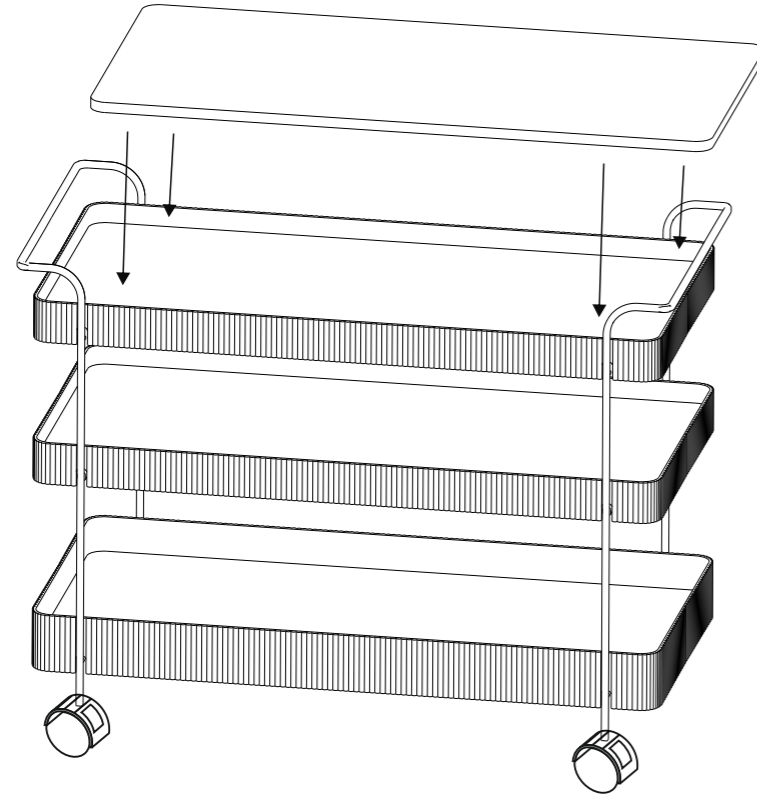


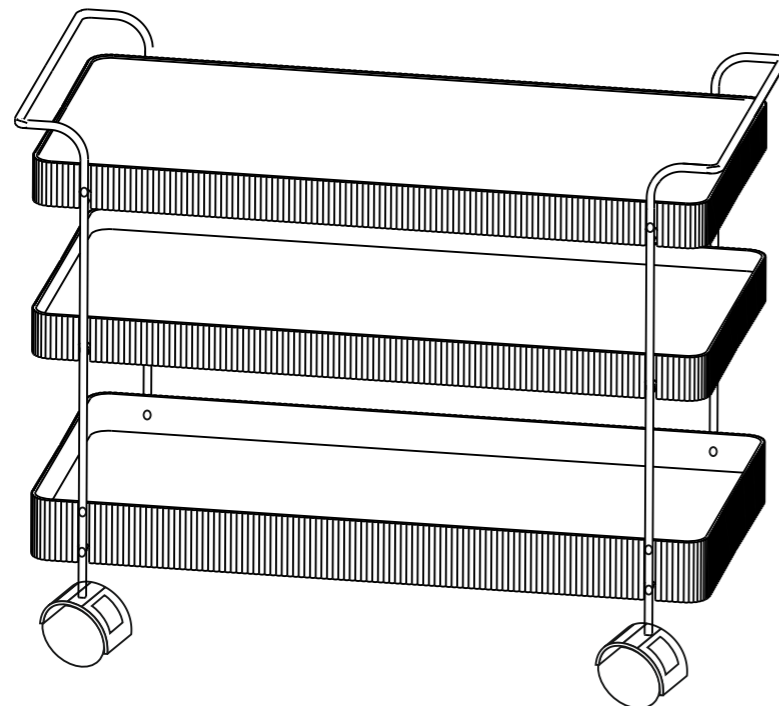
STEP 5

Place the Glass carefully on the soft transparent tabs pasted on the metal frame.



STEP 6

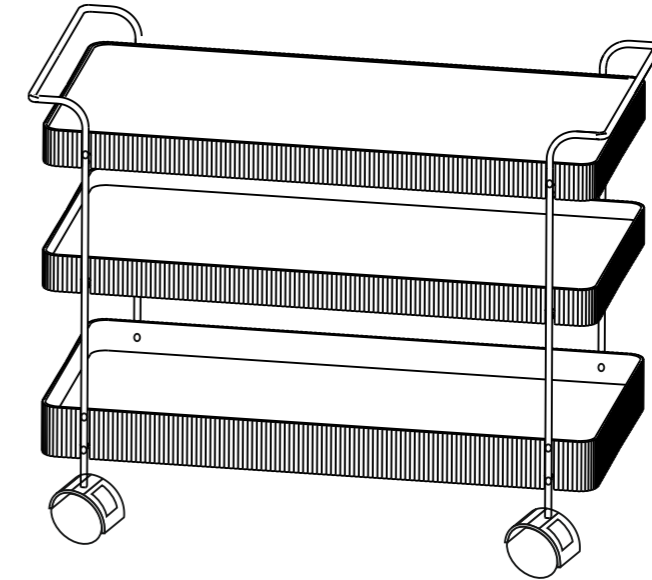
Final product image.



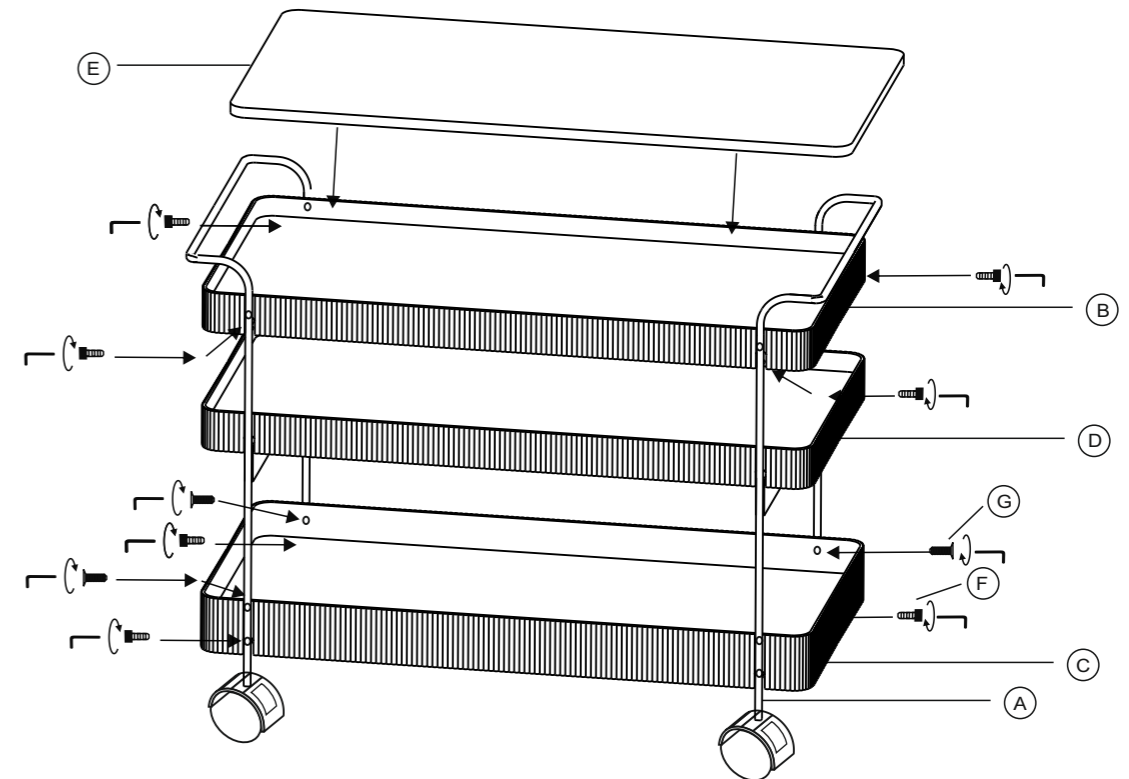
Now your product is ready for use.

RF
RENOVATION
FACTORY

F06002562705800



ASSEMBLY INSTRUCTIONS

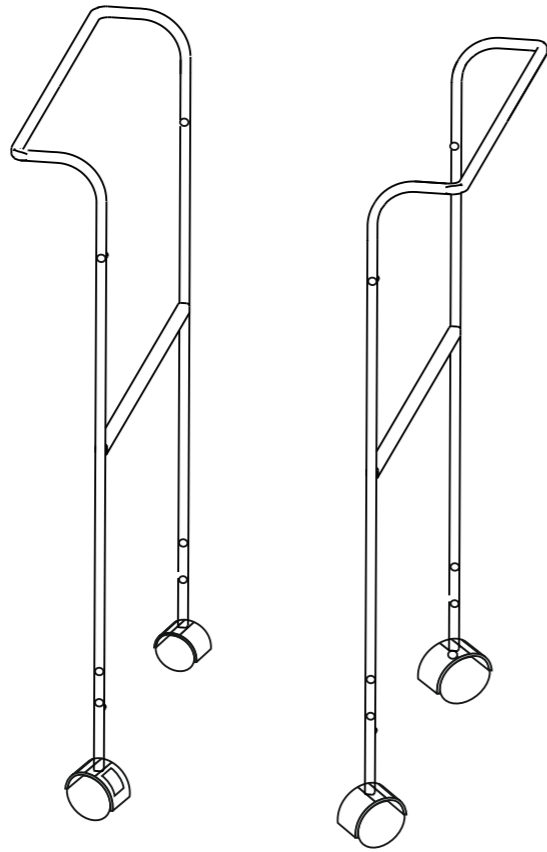


PARTS

A			Metal Panel	2
B			Top Metal box Frame	1
C			Bottom Metal box Frame	1
D			Middle Metal box Frame	1
E			Glass	1
F			Screw (Hardware Bag)	8+1
G			Screw (Hardware Bag)	4+1
H			Allen key (Hardware Bag)	1

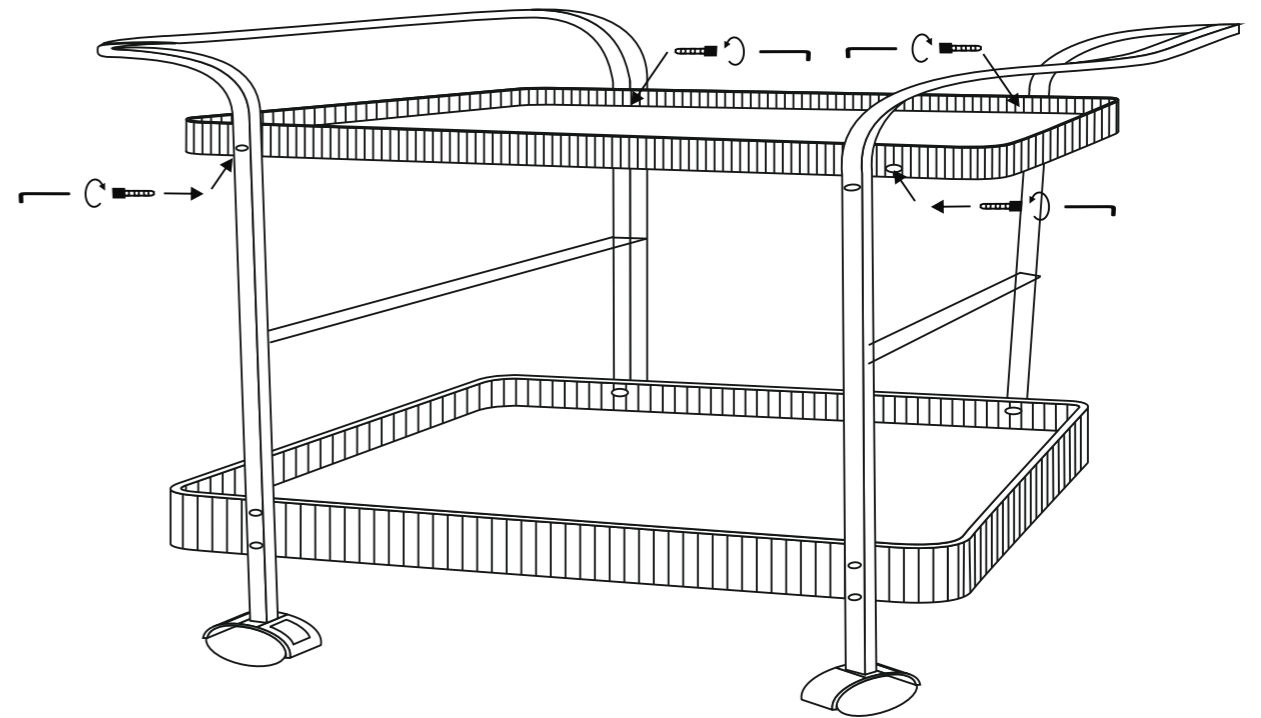
STEP 1

Hold the 2 metal panel stand leaving gap for metal box frame.



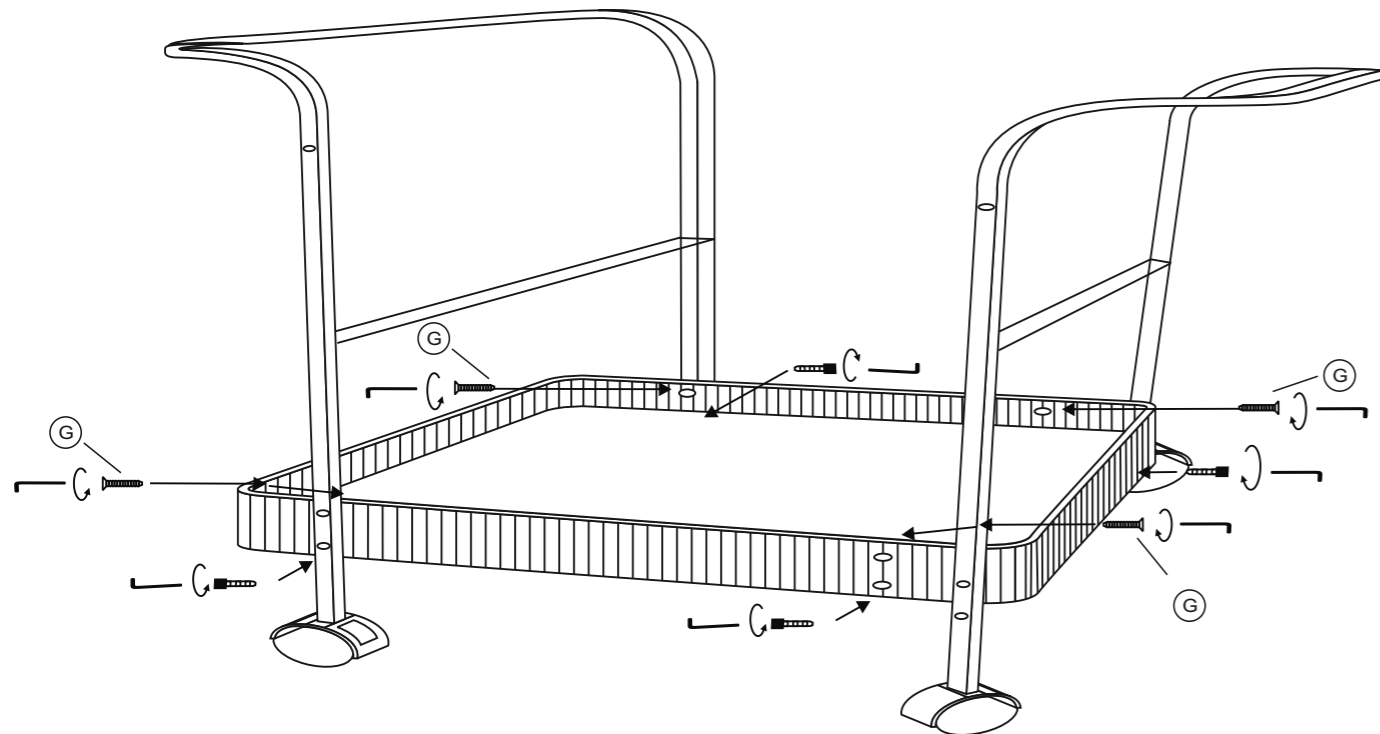
STEP 3

Assemble the both metal panel with top metal box using short secure all screws tightly by using Allen Key.



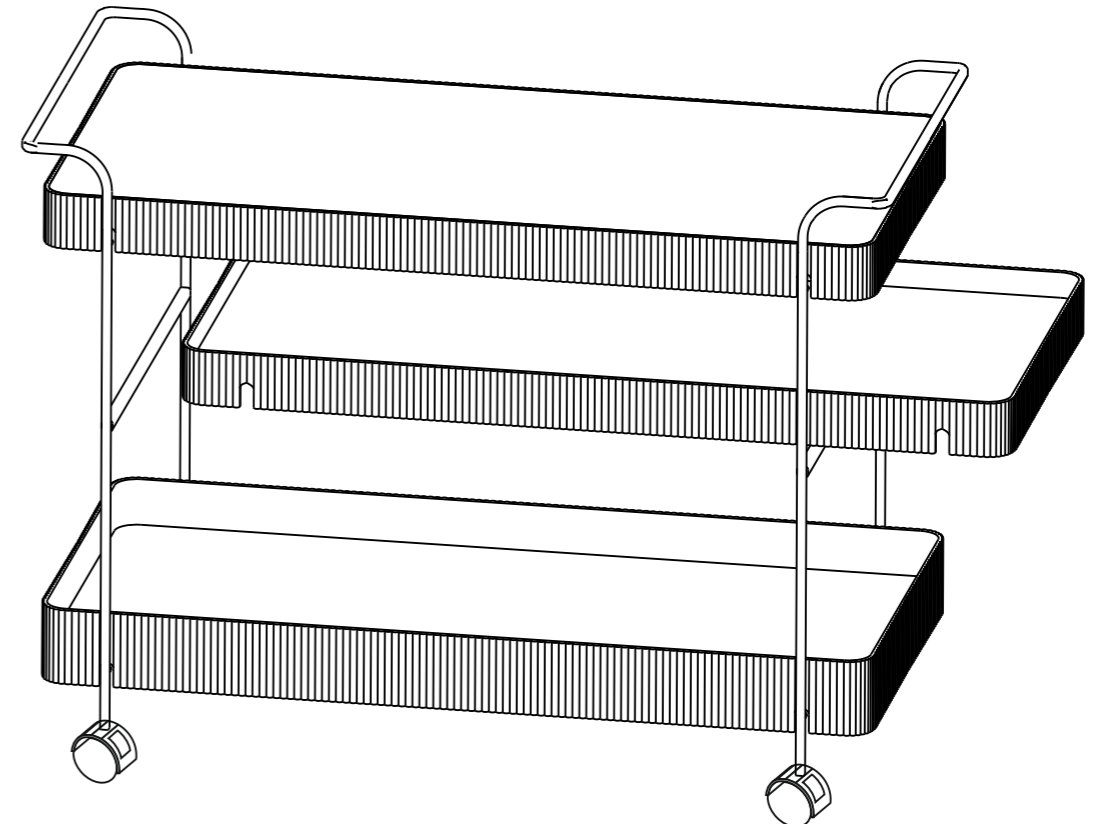
STEP 2

Assemble the both metal panel with bottom metal box using short secure all screws tightly by using Allen Key.



STEP 4

Insert the Middle Metal Frame and adjust carefully.



CLEANING & CARE

- Wipe regularly with a dry cloth.
- It is not recommended to use furniture polish or sprays.
- Spillages should be removed immediately using a damp cloth, then dried thoroughly.
- Do not use abrasive cleaners.
- Do not use chemical cleaners.
- Always use heat proof placemats or coasters to protect the surface.
- Do not position your furniture in front of radiators, fires or direct sources of heat.
- Do not stand or sit on this product.
- Retain these instructions for reference.

