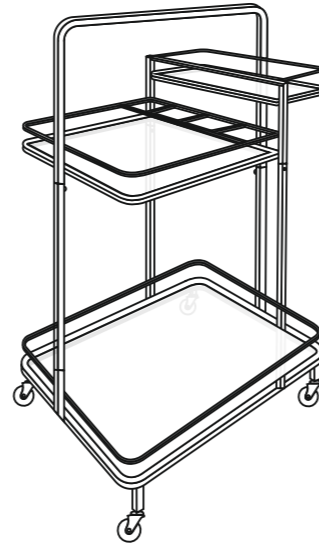


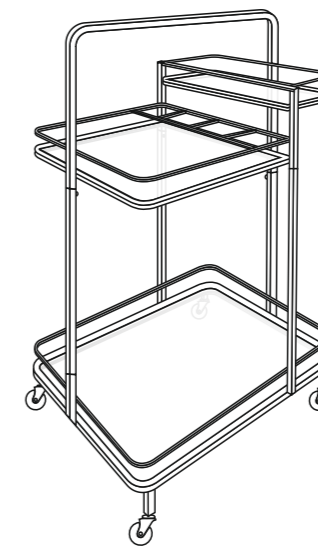
CLEANING & CARE

- Wipe regularly with a dry cloth.
- It is not recommended to use furniture polish or sprays.
- Spillages should be removed immediately using a damp cloth, then dried thoroughly.
- Do not use abrasive cleaners.
- Do not use chemical cleaners.
- Always use heat proof placemats or coasters to protect the surface.
- Do not position your furniture in front of radiators, fires or direct sources of heat.
- Do not stand or sit on this product.
- Retain these instructions for reference.

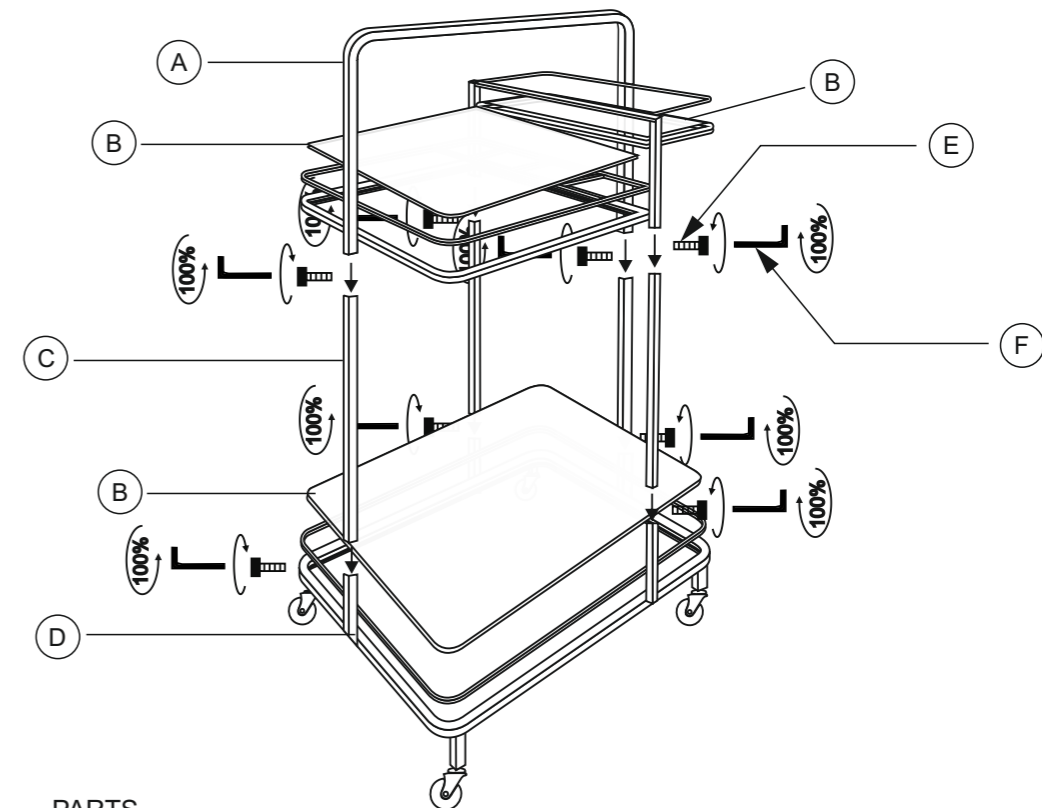


RF
RENOVATION
FACTORY

F06001815702700



ASSEMBLY INSTRUCTIONS

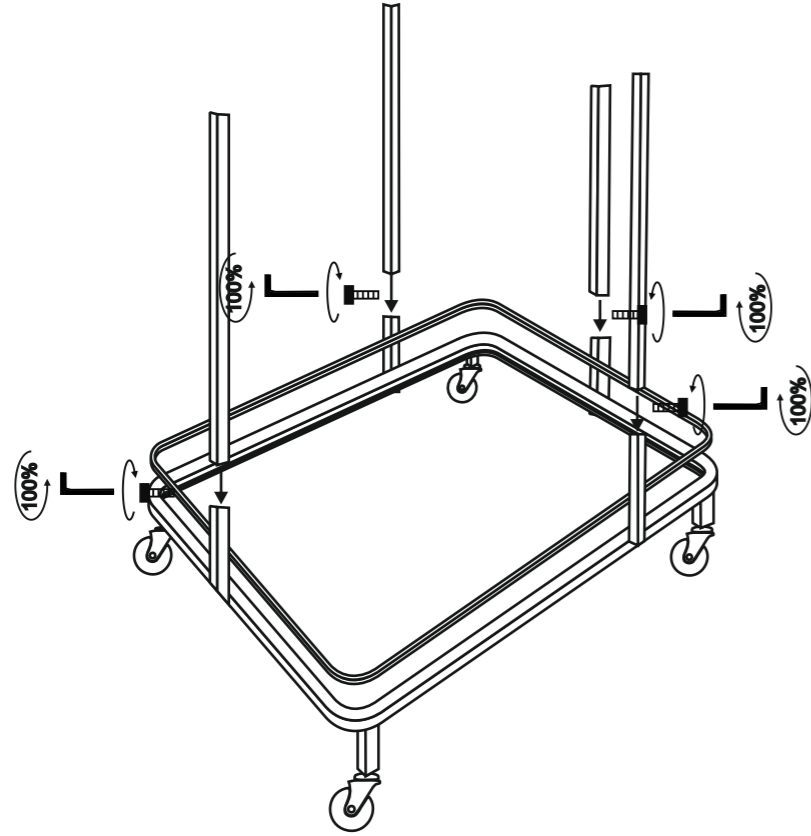


PARTS

A		Top Metal Frame	1
B		Glass	3
C		Metal Pipe Connector	4
D		Bottom Metal Frame	1
E		Screw (Hardware Bag)	8
F		Allen key (Hardware Bag)	1

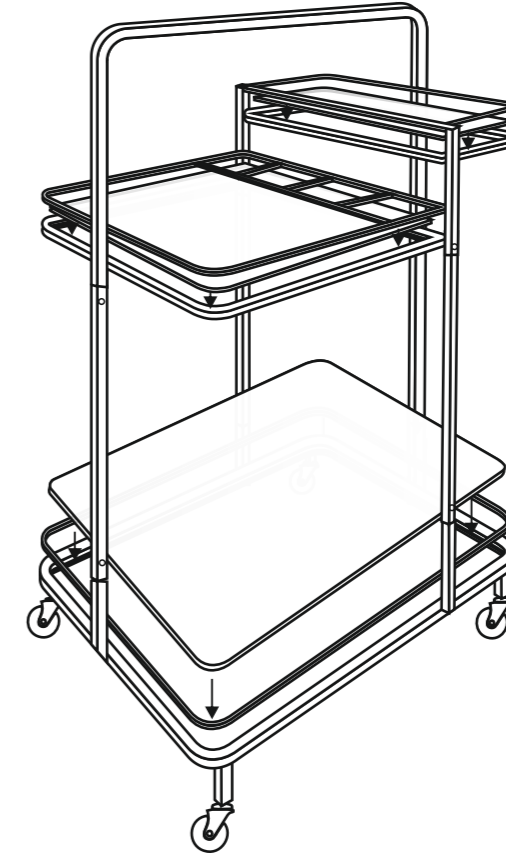
STEP 1

Assemble the bottom metal frame with metal pipe connector using short screws. Secure all screws by tightening using Allen Key.



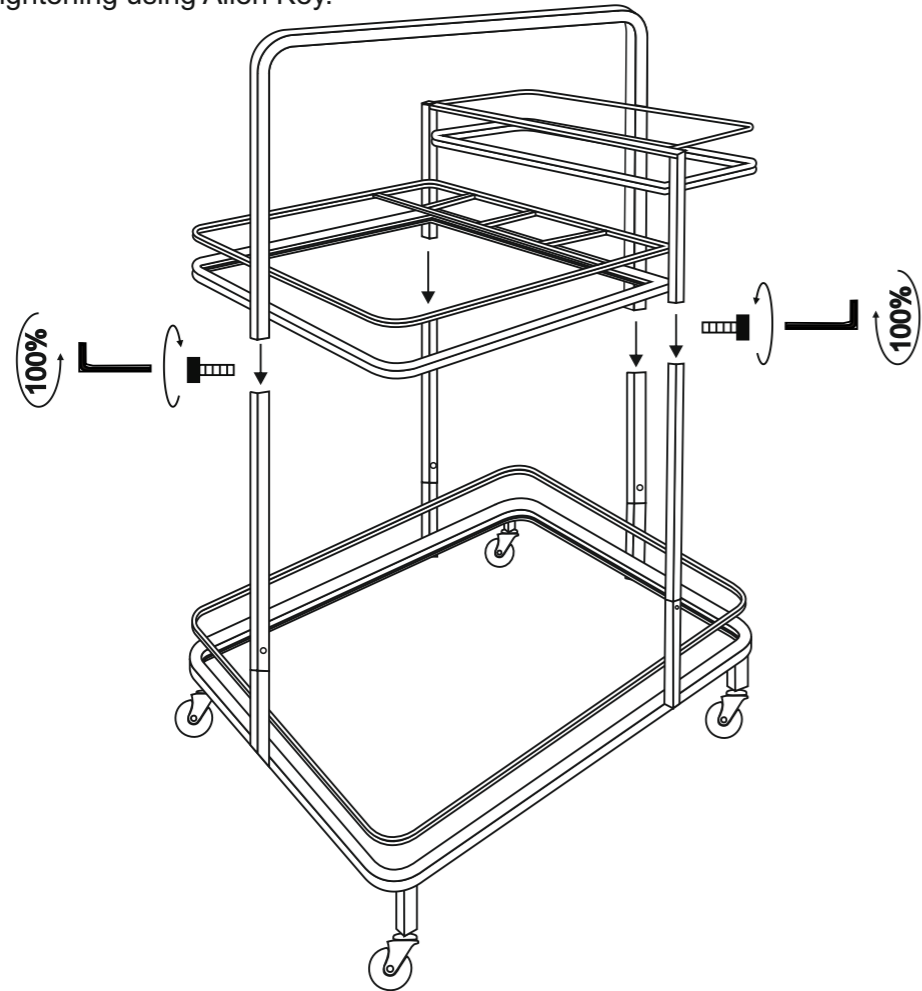
STEP 3

Place the glass carefully on the soft transparent tabs pasted on the metal frame.

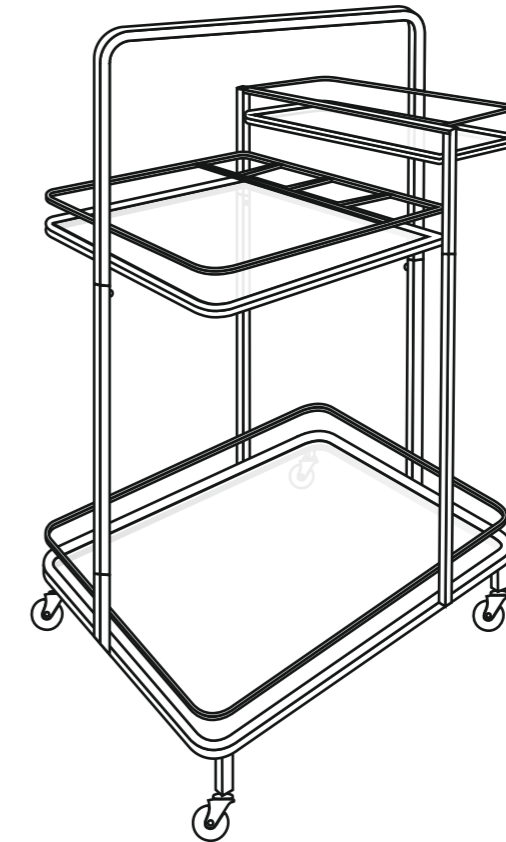


STEP 2

Assemble the top metal frame with metal pipe connector using short screws. Secure all screws by tightening using Allen Key.



Final product image.



Now your product is ready for use.