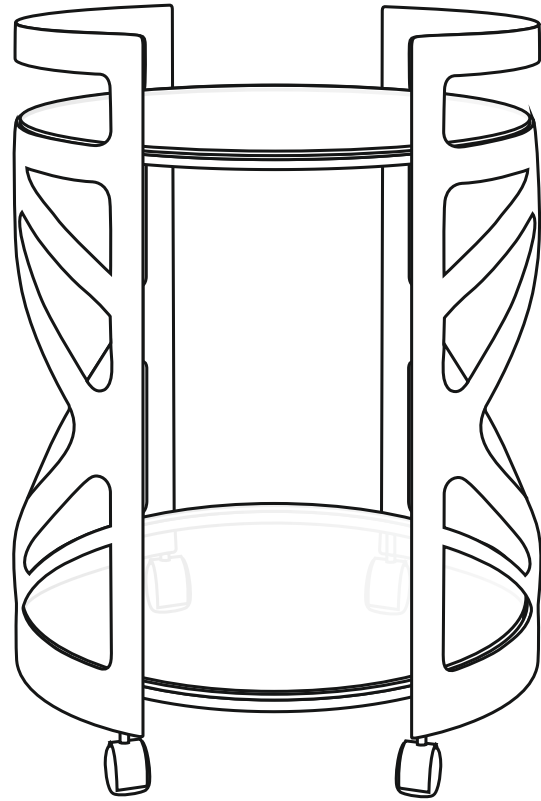


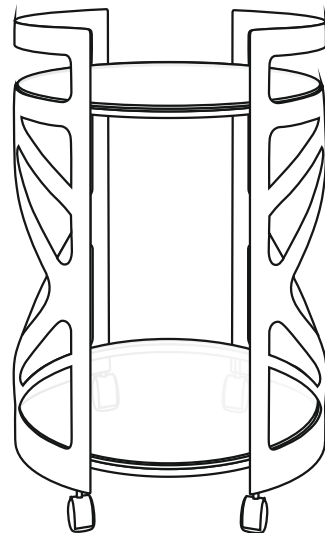
Final product image.



Now your product is ready for use.

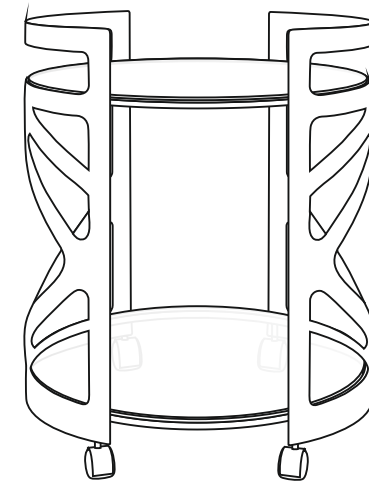
CLEANING & CARE

- Wipe regularly with a dry cloth.
- It is not recommended to use furniture polish or sprays.
- Spillages should be removed immediately using a damp cloth, then dried thoroughly.
- Do not use abrasive cleaners.
- Do not use chemical cleaners.
- Always use heat proof placemats or coasters to protect the surface.
- Do not position your furniture in front of radiators, fires or direct sources of heat.
- Do not stand or sit on this product.
- Retain these instructions for reference.

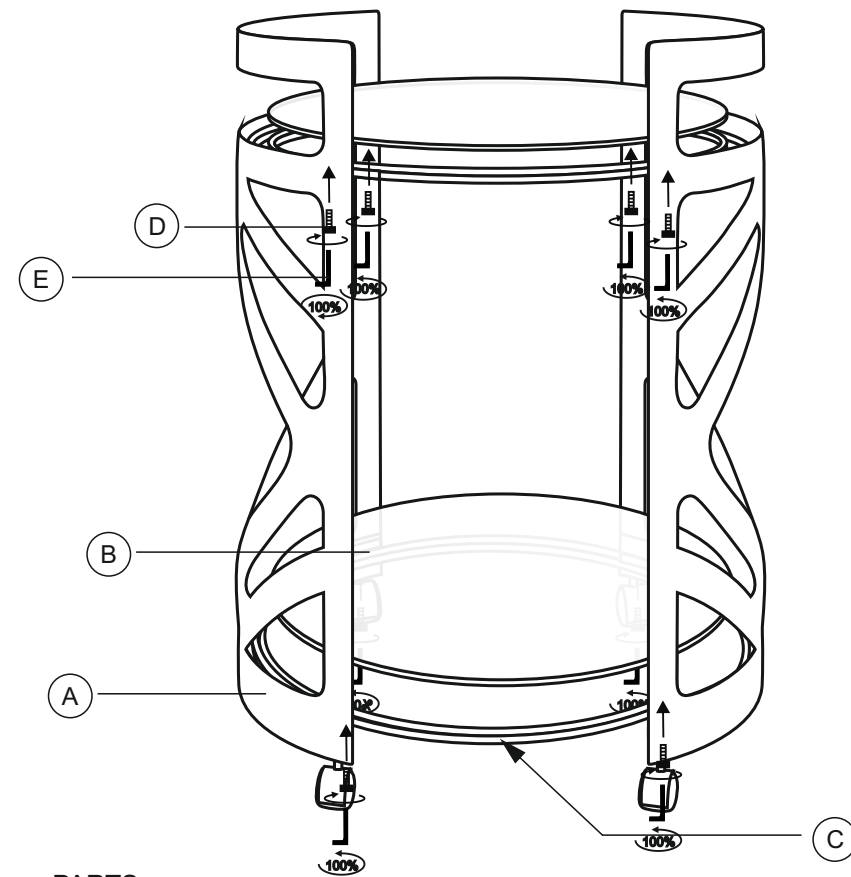


RF
RENOVATION
FACTORY

F06001454013000



ASSEMBLY INSTRUCTIONS

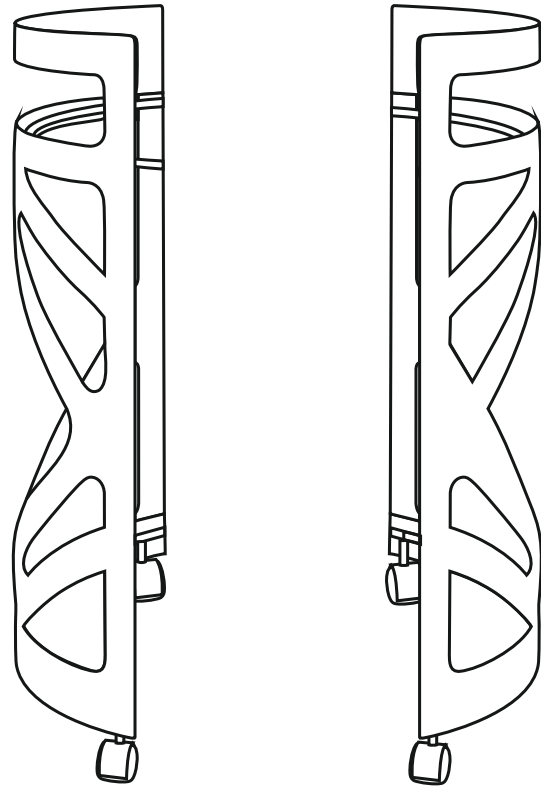


PARTS

A		Metal Frame	2
B		Glass	2
C		Oval Glass Metal Frame	2
D		Screw (Hardware Bag)	8
E		Allen key (Hardware Bag)	1

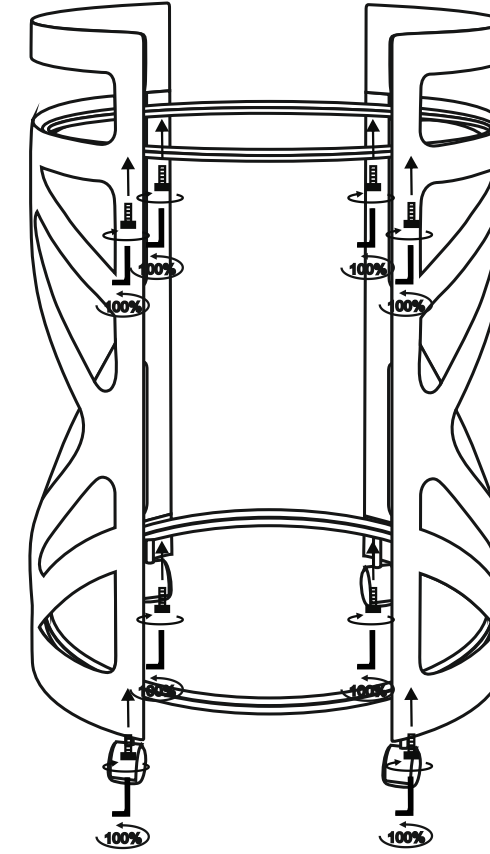
STEP 1

Hold the 2 metal frame stand leaving gap for oval glass metal frame.



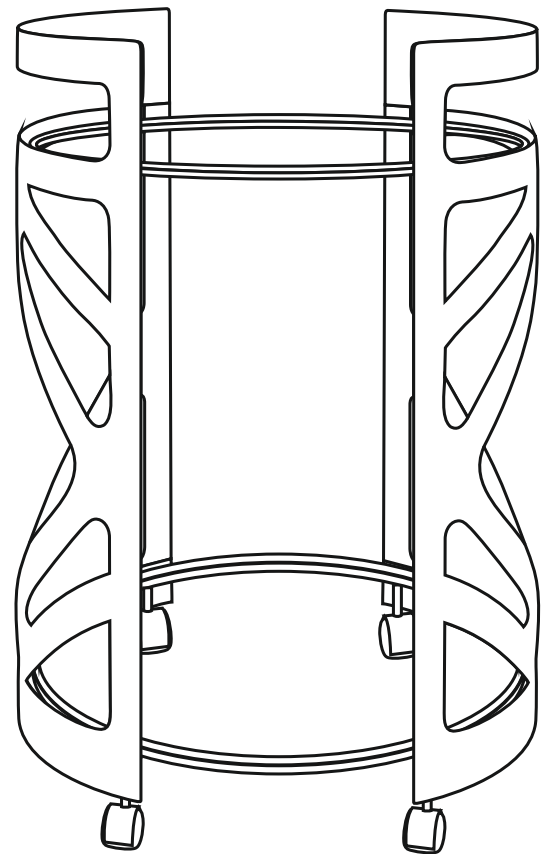
STEP 3

Fix the top and bottom oval glass metal frame with 4 screws using the Allen Key provided.



STEP 2

Put the oval glass metal frame on the metal frame.



STEP 4

Place the glass carefully on the soft transparent tabs pasted on the metal frame.

