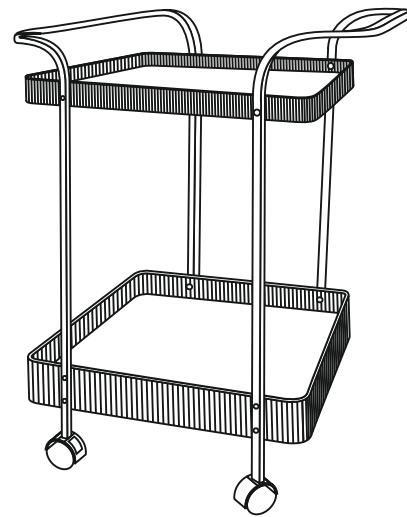


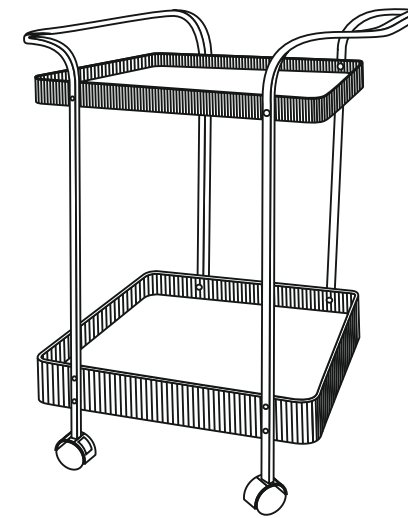
CLEANING & CARE

- Wipe regularly with a dry cloth.
- It is not recommended to use furniture polish or sprays.
- Spillages should be removed immediately using a damp cloth, then dried thoroughly.
- Do not use abrasive cleaners.
- Do not use chemical cleaners.
- Always use heat proof placemats or coasters to protect the surface.
- Do not position your furniture in front of radiators, fires or direct sources of heat.
- Do not stand or sit on this product.
- Retain these instructions for reference.

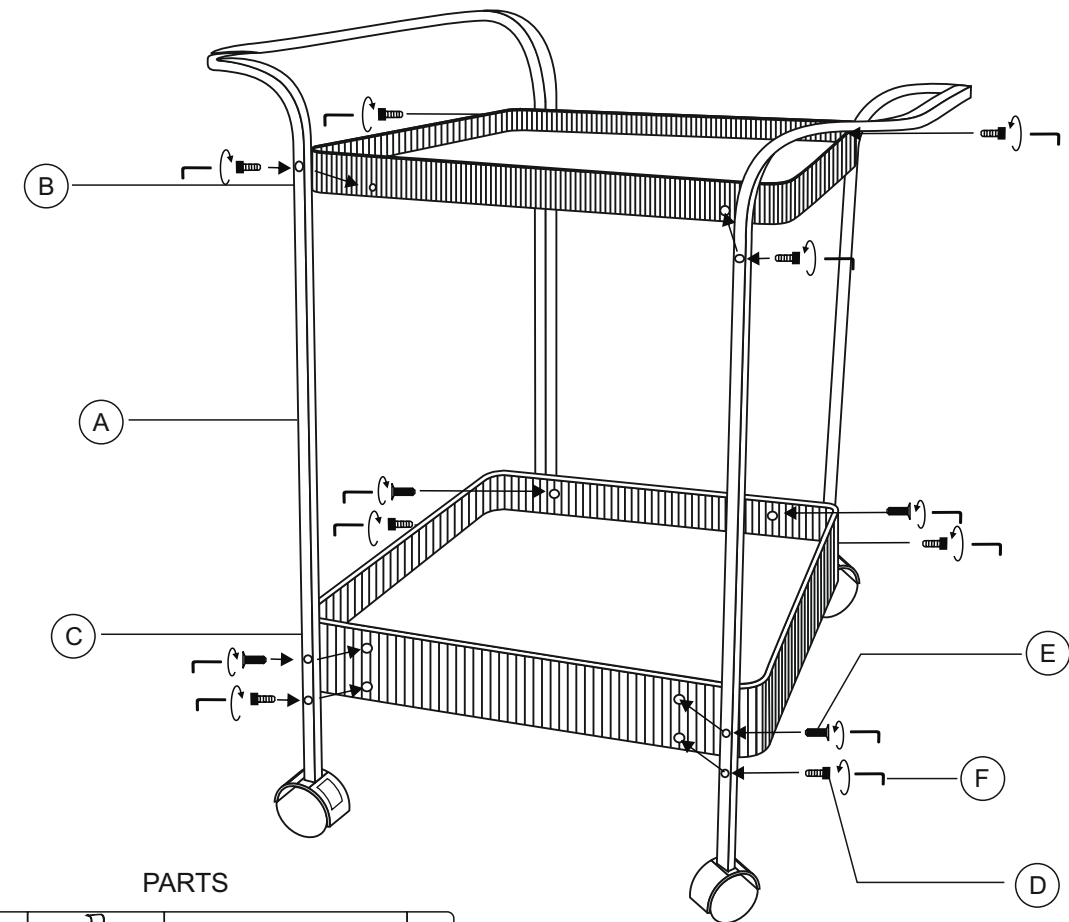


RF
RENOVATION
FACTORY

F06001000000300



ASSEMBLY INSTRUCTIONS

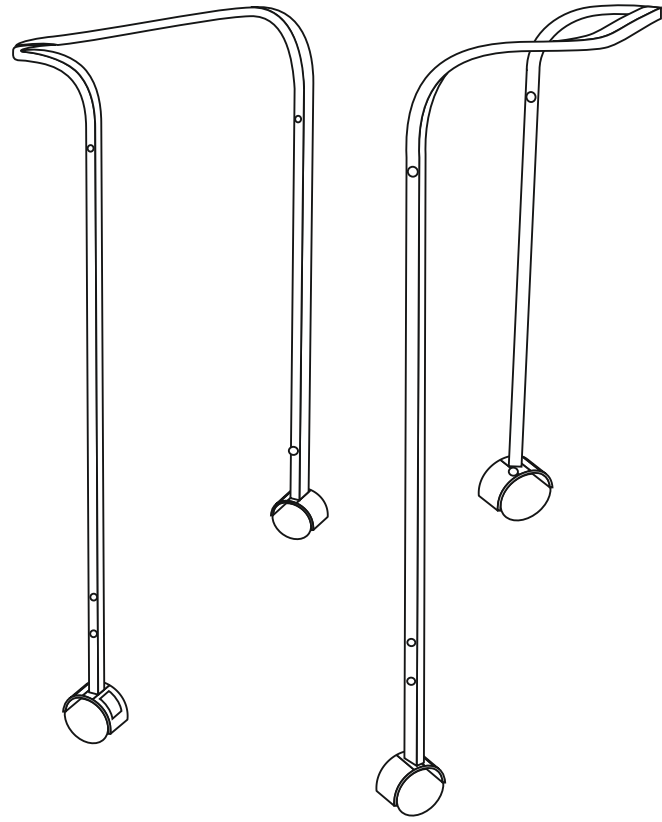


PARTS

A			Metal Panel	2
B			Top Metal box Frame	1
C			Bottom Metal box Frame	1
D			Screw (Hardware Bag)	8
E			Screw (Hardware Bag)	4
F			Allen key (Hardware Bag)	1

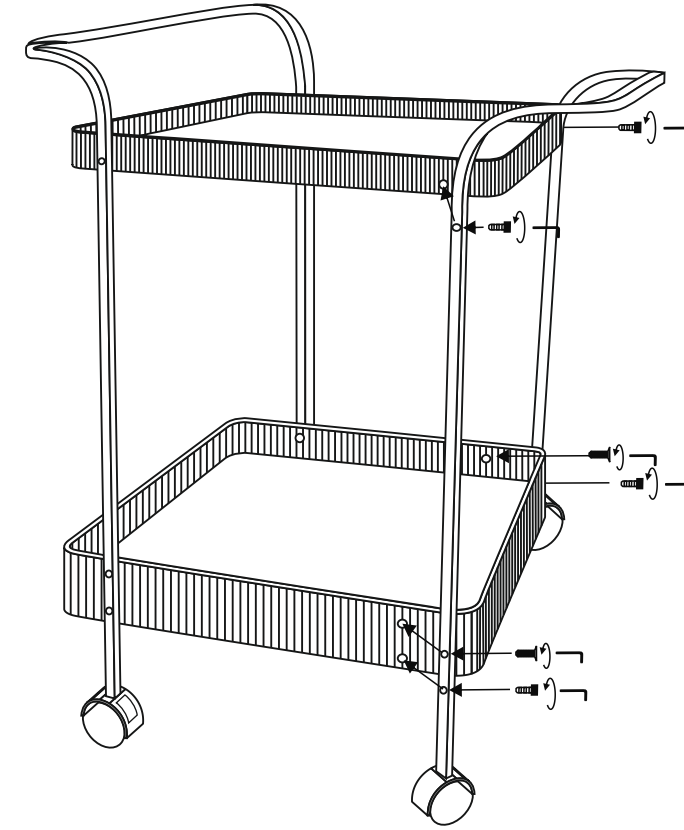
STEP 1

Hold the 2 metal panel stand leaving gap for metal box frame.



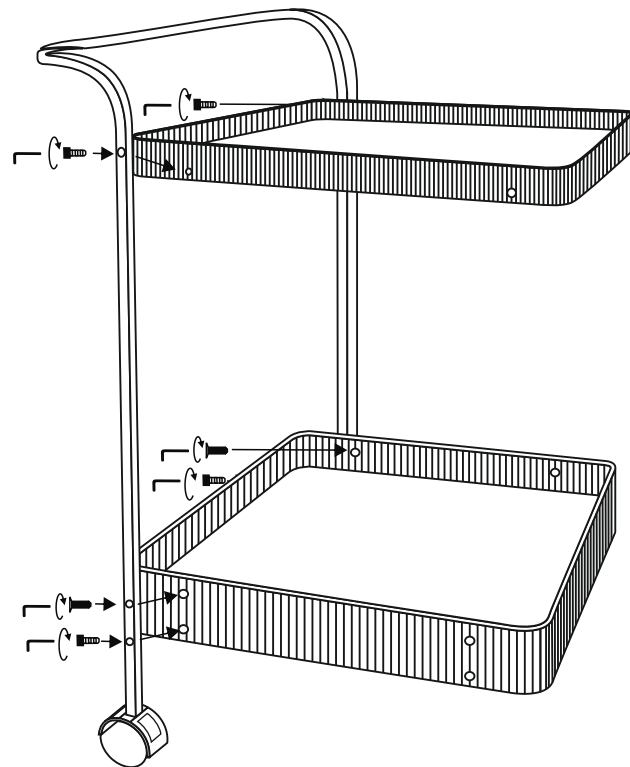
STEP 3

Assemble the right metal panel with top and bottom metal box using short secure all screws tightly by using Allen Key.

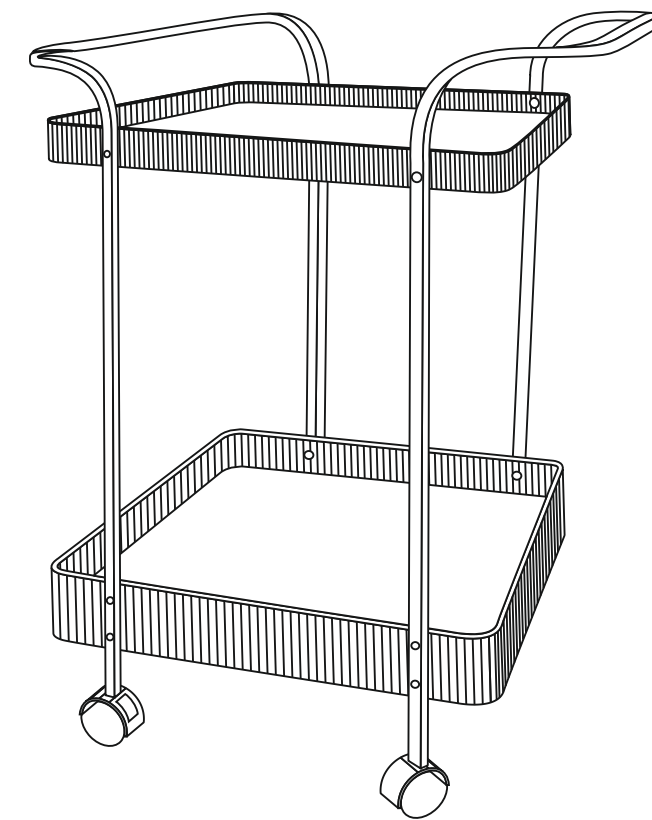


STEP 2

Assemble the left metal panel with top and bottom metal box using short secure all screws tightly by using Allen Key.



Final product image.



Now your product is ready for use.