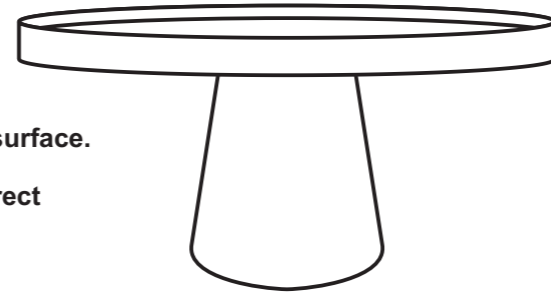


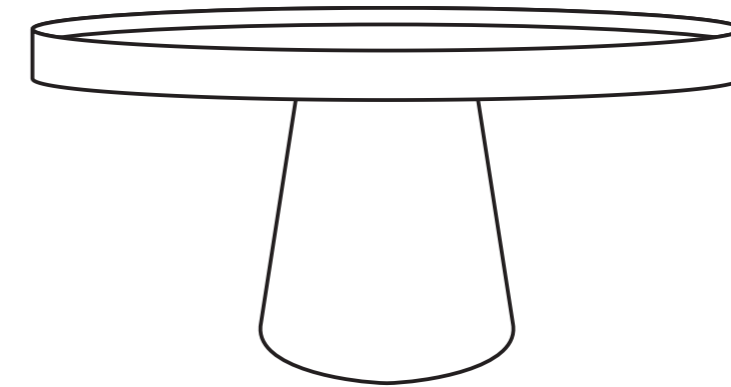
CLEANING & CARE

- Wipe regularly with a dry cloth.
- It is not recommended to use furniture polish or sprays.
- Spillages should be removed immediately using a damp cloth, then dried thoroughly.
- Do not use abrasive cleaners.
- Do not use chemical cleaners.
- Always use heat proof placemats or coasters to protect the surface.
- Do not position your furniture in front of radiators, fires or direct sources of heat.
- Do not stand or sit on this product.
- Retain these instructions for reference.

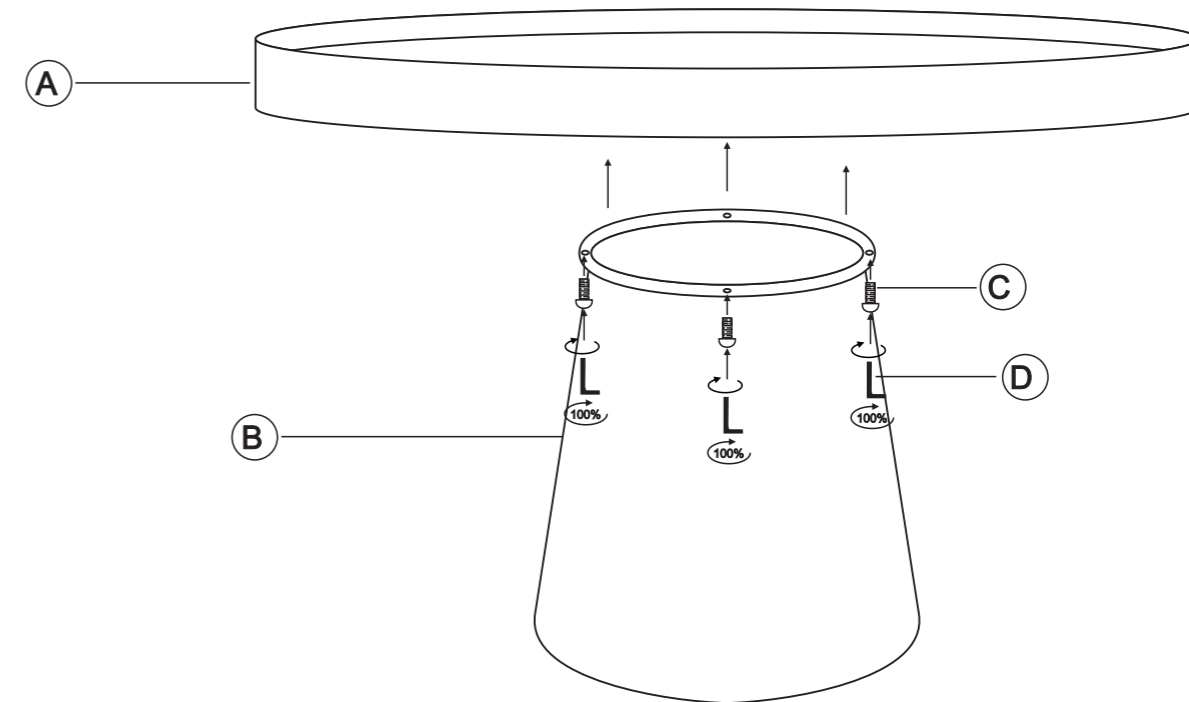


RF
RENOVATION
FACTORY

F03008600024600



ASSEMBLY INSTRUCTIONS

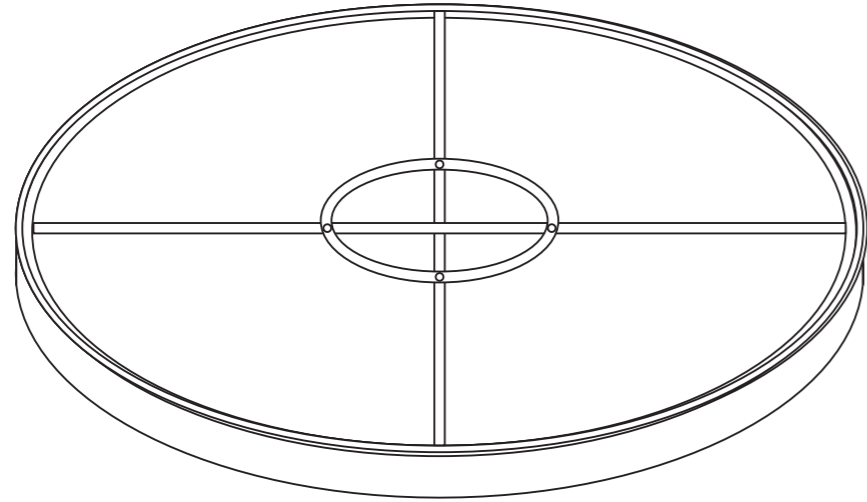


Parts Included :

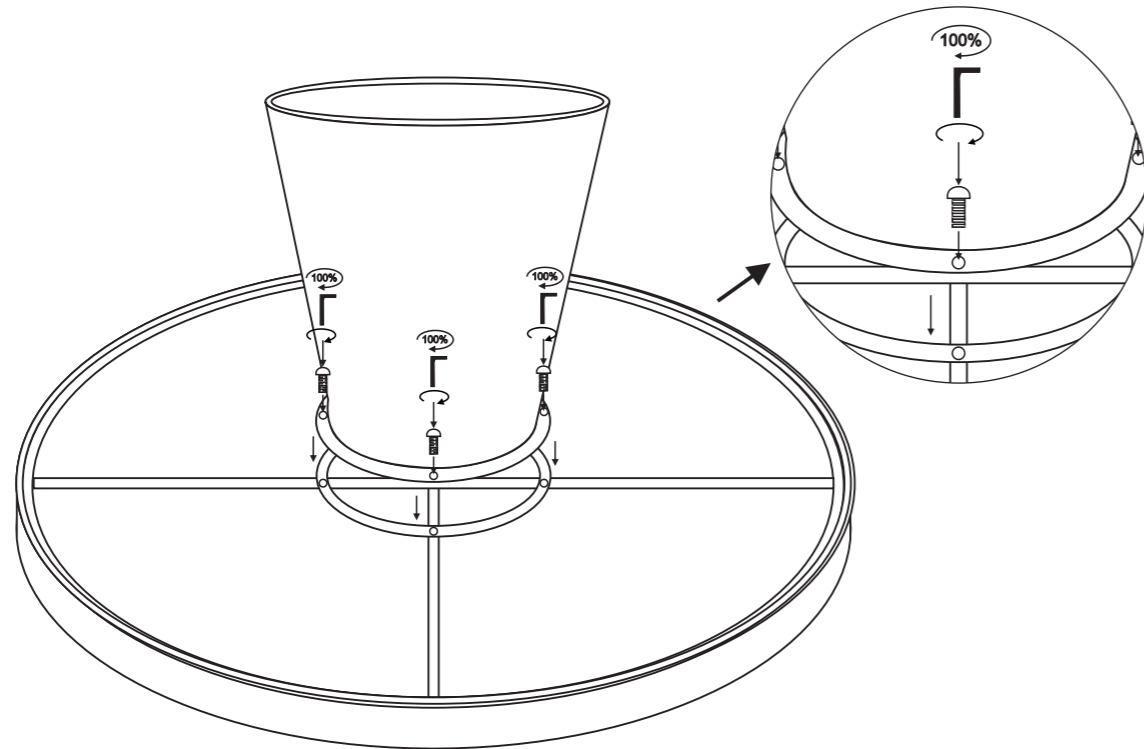
A			Top Metal Frame	2
B			Bottom Metal Base	2
C			Screw Hardware Bag	8
D			Allen Key (Hardware Bag)	2

NOTE: - The same applies to the other size also.

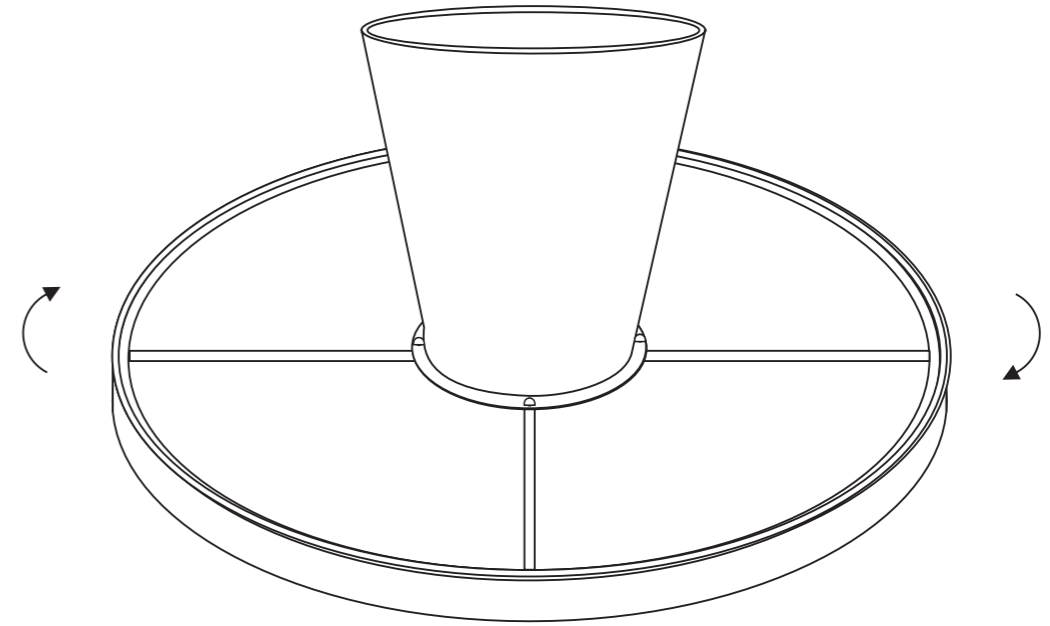
STEP 1 Ensure that all parts and hardware are unpacked and laid out on a clean work surface.
Place the table top metal frame up side down on the floor.



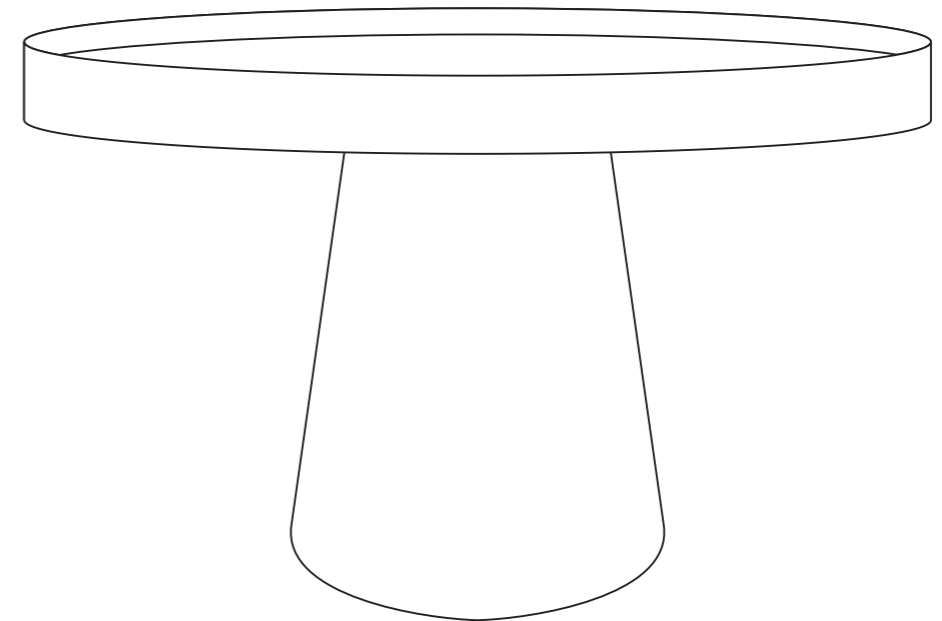
STEP 2 Place the bottom metal base upside down on the top metal frame place on floor. As shown below, align the holes and tighten the screws.



STEP 3 Once assembled, turn the table upside down for final product.



Final product image.



Now your product is ready for use.