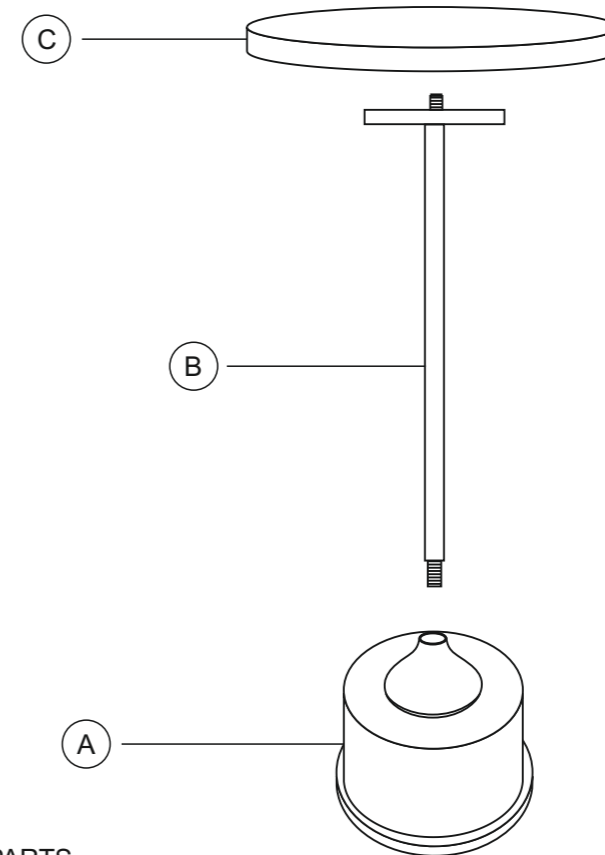


ASSEMBLY INSTRUCTIONS

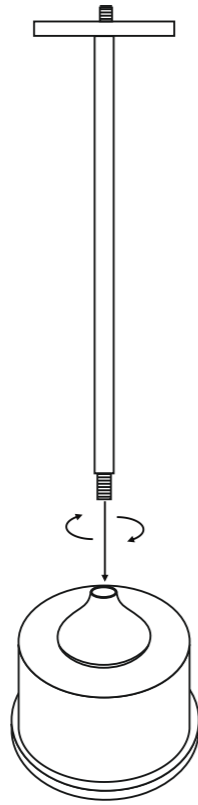


PARTS

A			Metal Base	1
B			Pipe Connector	1
C			Marble	1

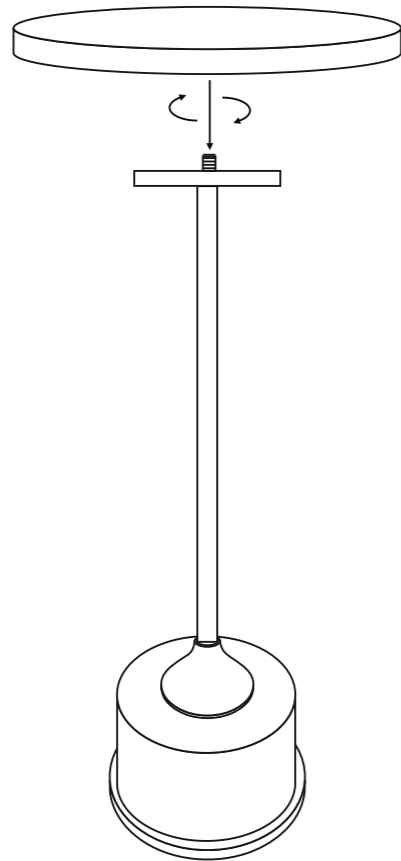
STEP 1

Rotate the pipe connector on the metal base gently.

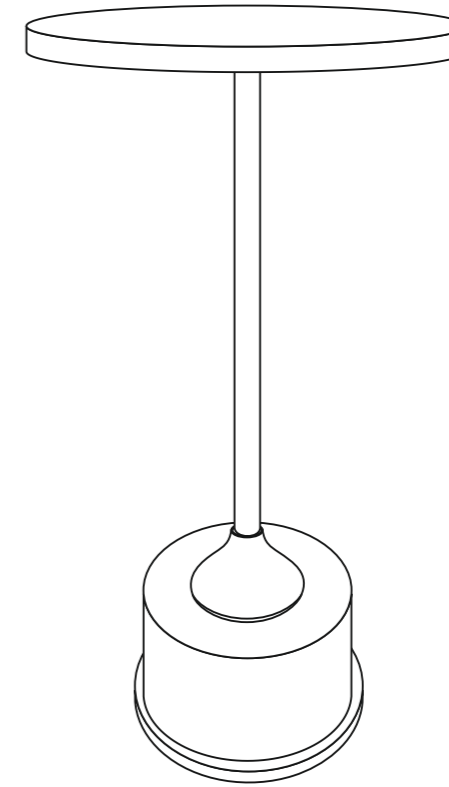


STEP 2

Rotate the top marble on the metal pipe connector gently.



Final Product Image



Now your product is ready for use.

### CLEANING & CARE

- Wipe regularly with a dry cloth.
- It is not recommended to use furniture polish or sprays.
- Spillages should be removed immediately using a damp cloth, then dried thoroughly.
- Do not use abrasive cleaners.
- Do not use chemical cleaners.
- Always use heat proof placemats or coasters to protect the surface.
- Do not position your furniture in front of radiators, fires or direct sources of heat.
- Do not stand or sit on this product.
- Retain these instructions for reference.

