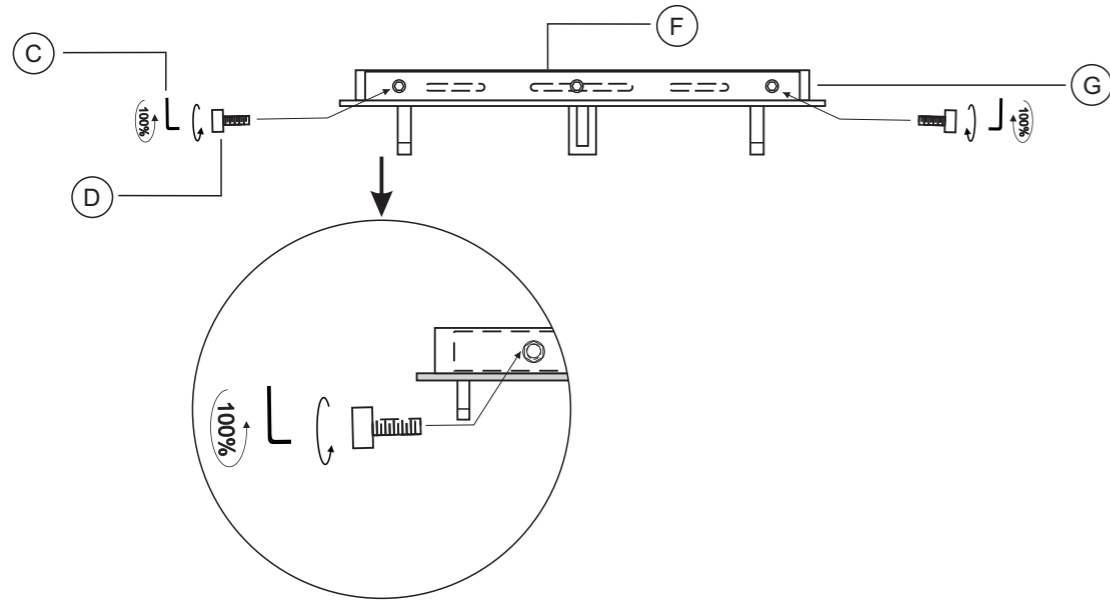


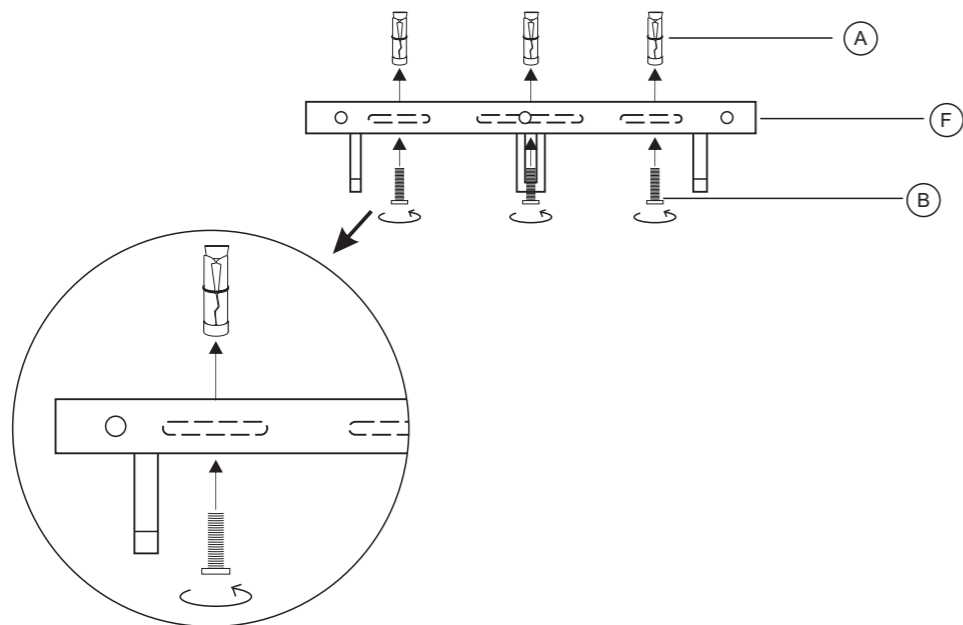
Assembly and Installation Instructions :

SHUT OFF THE MAIN ELECTRICAL SUPPLY FROM THE MAIN FUSE BOX/CIRCUIT BREAKER!
Carefully unpack all fixture parts and hardware and lay out them on a clear workspace.

STEP 1 Unscrew Mounting Plate : Disassemble the mounting plate from the ceiling canopy as shown below, with the hardware provided. Follow the same for chandelier-1 & chandelier-2.



STEP 2 Installation Mounting Plate : Make provision on ceiling for installing two canopies for chandelier-1 or chandelier-2. Ensure center of canopies is atleast 24 inches apart. Install the mounting plates to the ceiling using the fastener. Align each mounting plate with the three holes of the ceiling. Tighten the threaded bolt.



Assembly and Installation Instructions

Caution :

- BEFORE INSTALLING FIXTURE, MAKE SURE THE POWER TO THE CIRCUIT IS TURNED OFF AT THE MAIN FUSE BOX / CIRCUIT BREAKER UTILITY BOX.
- DO NOT INSTALL INTO A CEILING THAT CONTAINS RADIANT HEATING.

Important Safety Instructions :

- The ceiling fastener / threaded bolt are meant for drywall ceiling mounting only.
- The installation is not to be made on a radiant-heating ceiling.
- These instructions are provided for your safety. It is very important that they are read carefully and completely before beginning the assembly and installation of this lighting fixture.
- We strongly recommend that a professional electrician install all direct wire fixtures.
- This product must be installed in accordance with the applicable installation codes by a person familiar with construction and operation of the product and the hazards involved.
- The lighting fixture is meant for indoor use, dry locations only. It must be connected only to 3-wire, single-phase electrical supply systems (provided with Ground wire or equivalent protection system).
- For your safety, it is strongly recommended that two people install the lighting fixture.
- To avoid the risk of fire, do not exceed the recommended wattage.
- **Save these instructions.**

Warning :

- To reduce the risk of fire, electrical shock or personal injury, always turn off light fixture and allow it to cool prior to replacing light bulb.
- Do not touch bulb when fixture is turned on. Do not look directly at lit bulb.
- Keep flammable materials away from lit bulb.

Pre-assembly :

- Remove all parts carefully and hardware from box along with any plastic protective packaging.
- Do not discard any contents until after assembly is complete to avoid accidentally discarding small parts
- For your safety and convenience, assembly by two people is recommended.

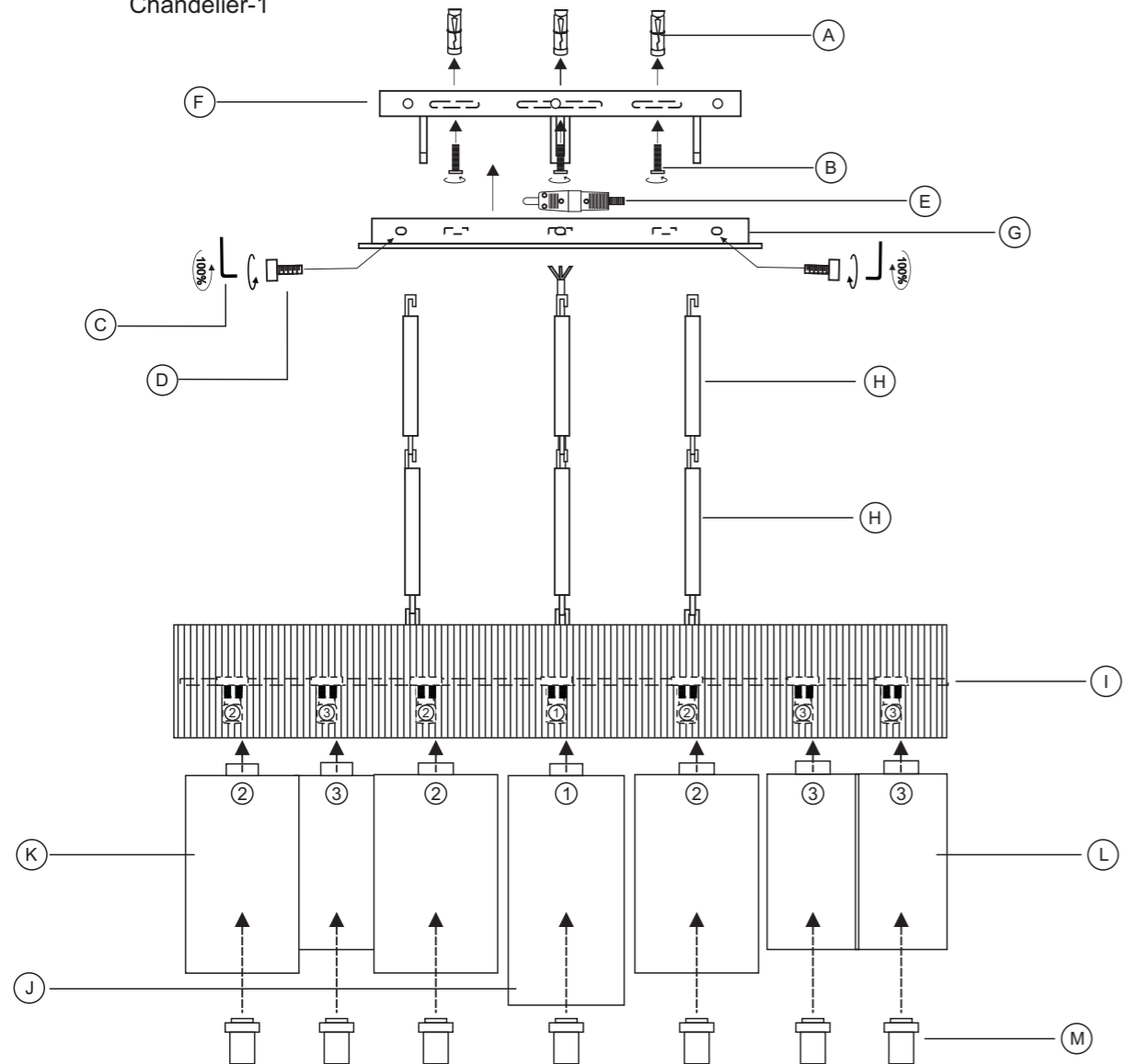
Prerequisite for Assembly :

- For installation two electrical connection are required for the two chandelier.

Parts Included : BOX - 1

A			Fastener (Hardware Bag)	3
B			Threaded Bolt (Hardware Bag)	3
C			Allen Key (Hardware Bag)	1
D			Screw	3
E			Connector	1
F			Mounting Plate	1
G			Ceiling Canopy	1
H			Connecting Pipe 12"	6
I			Metal Frame	1
J			Glass shade 1	1
K			Glass shade 2	3
L			Glass shade 3	3
M			Metal Holder Cap	7

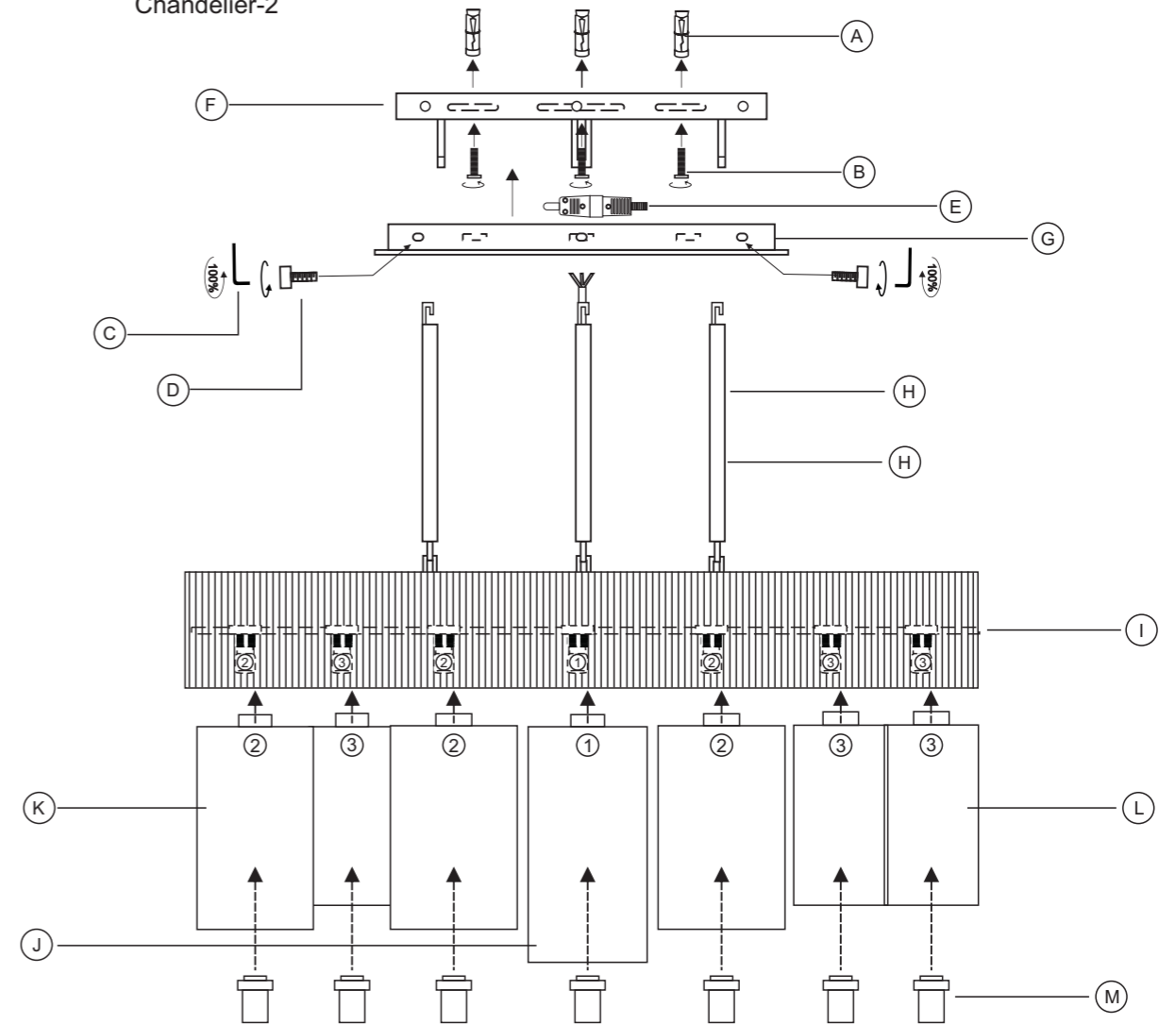
Chandelier-1



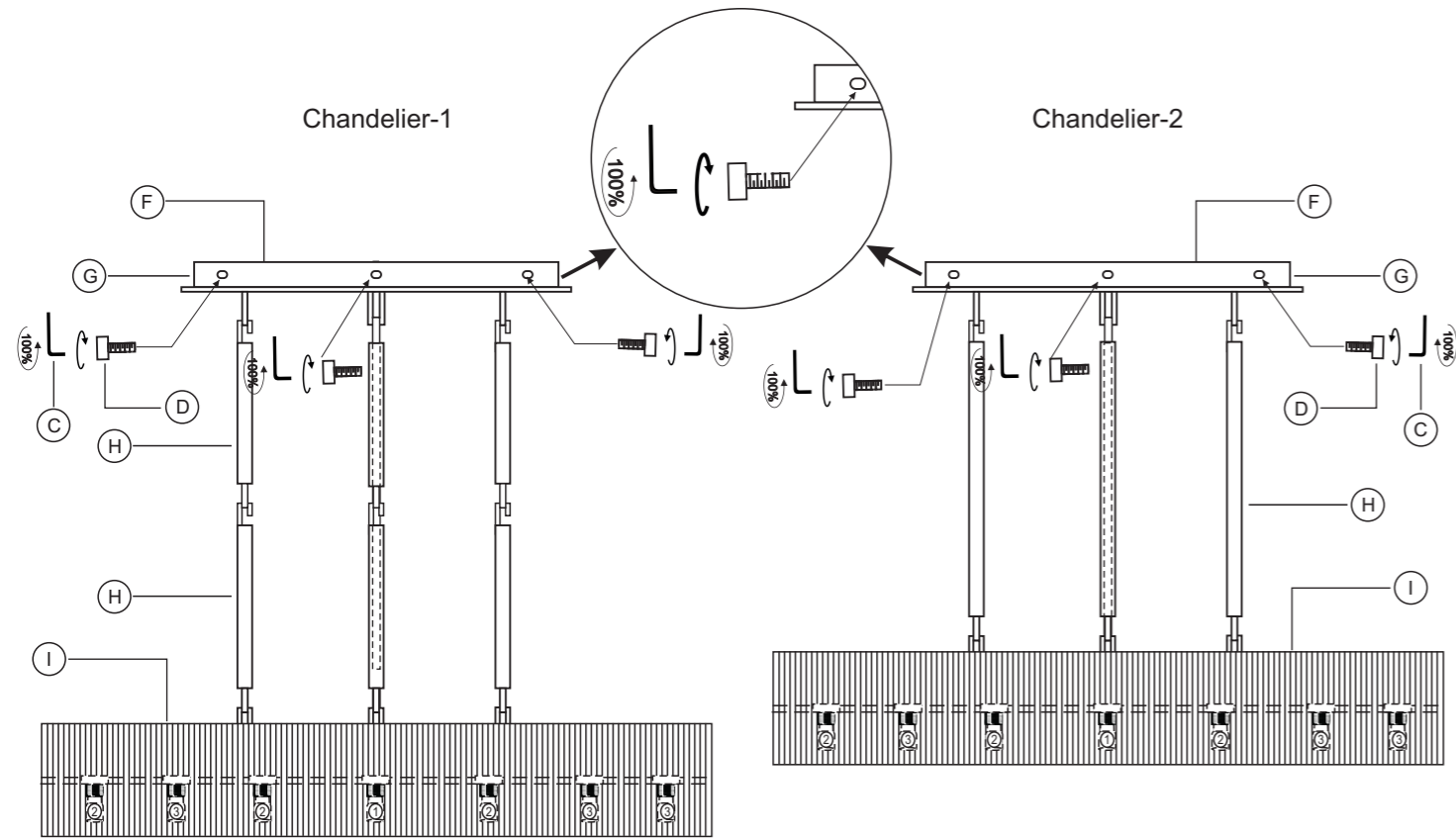
Parts Included : BOX - 2

A			Fastener (Hardware Bag)	3
B			Threaded Bolt (Hardware Bag)	3
C			Allen Key (Hardware Bag)	1
D			Screw	3
E			Connector	1
F			Mounting Plate	1
G			Ceiling Canopy	1
H			Connecting Pipe 18"	3
I			Metal Frame	1
J			Glass shade 1	1
K			Glass shade 2	3
L			Glass shade 3	3
M			Metal Holder Cap	7

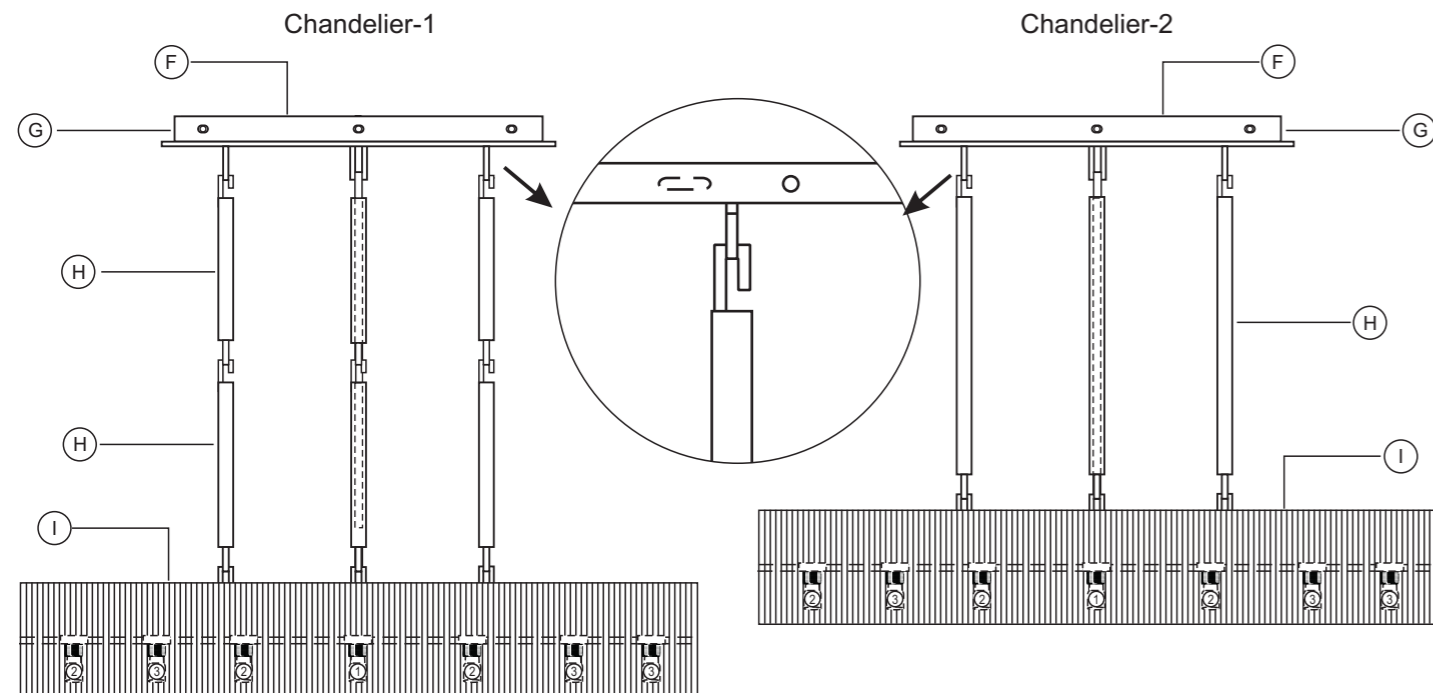
Chandelier-2



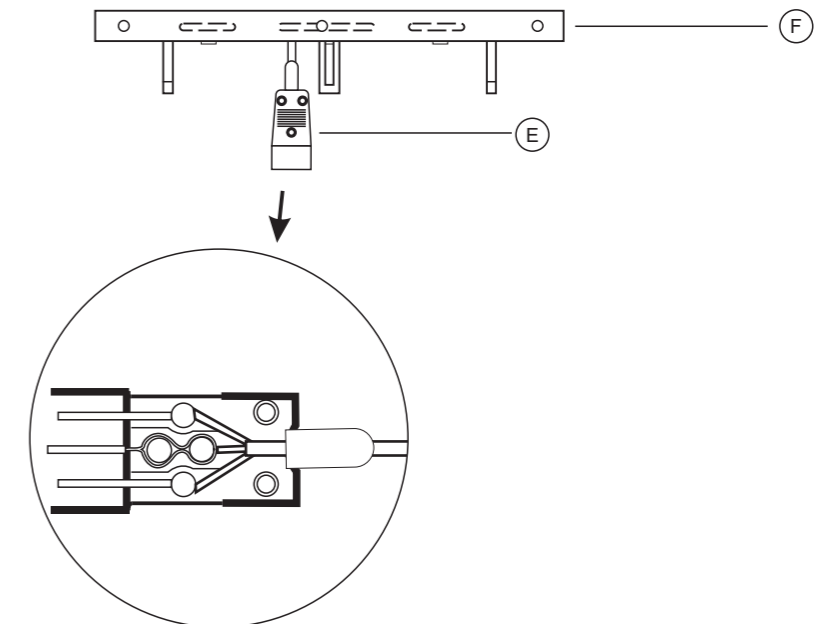
STEP 9 Mount the Ceiling Canopy : Slide the ceiling canopy up and fix it to the mounting plate as shown below. Tighten with hardware provided.



STEP 10 Attach Hook : Attach the hooks to the mounting plate hooks.

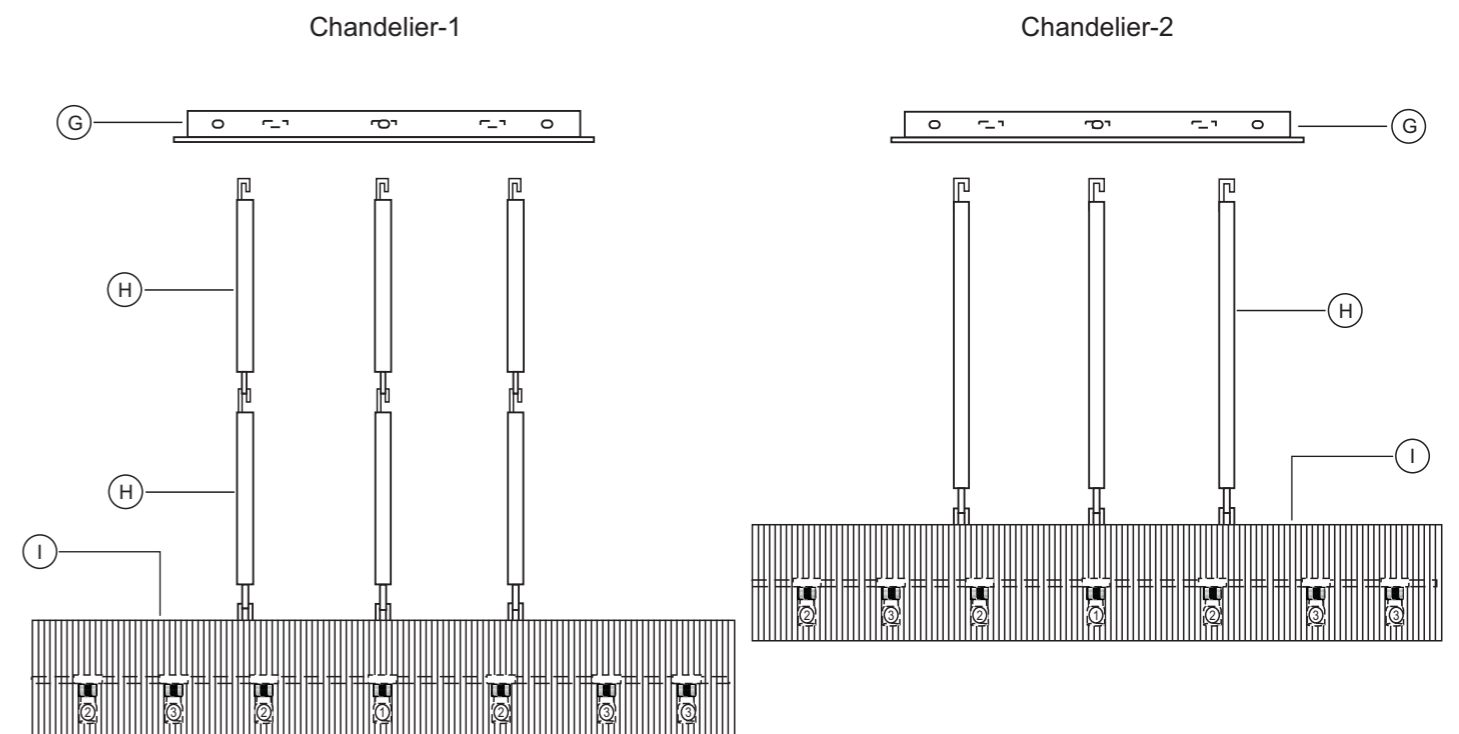


STEP 3 Connect Main Wire to Connector : Take out the main wire through the mounting plate of chandelier-1, Connect the female part of the connector to the main wire. Attach the brown coloured wire to phase, blue coloured wire to neutral and green yellow coloured wire to earth. Repeat the same for mounting plate of chandelier-2.

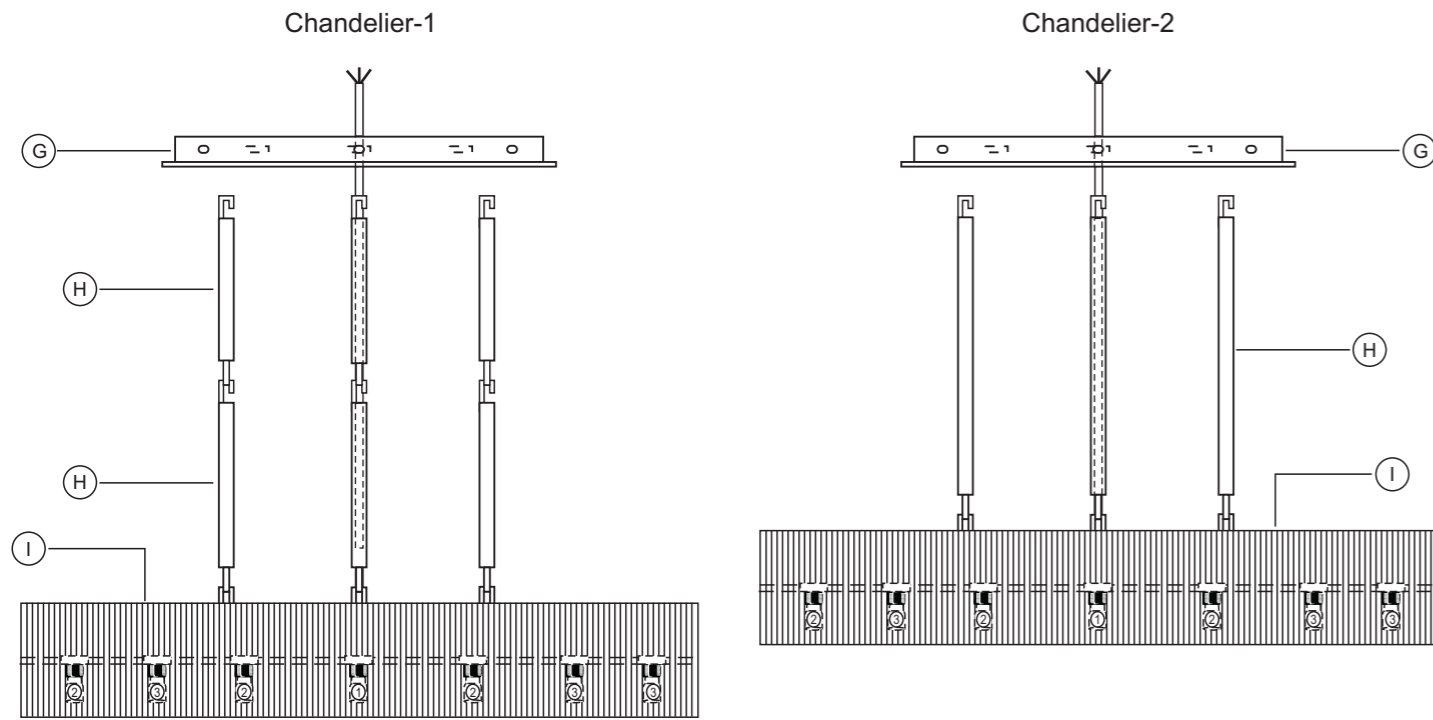


STEP 4 The Height of chandelier : The chandeliers can be hung at the below listed heights Chandelier-1 or chandelier-2. Accordingly decide the number of connector to use.

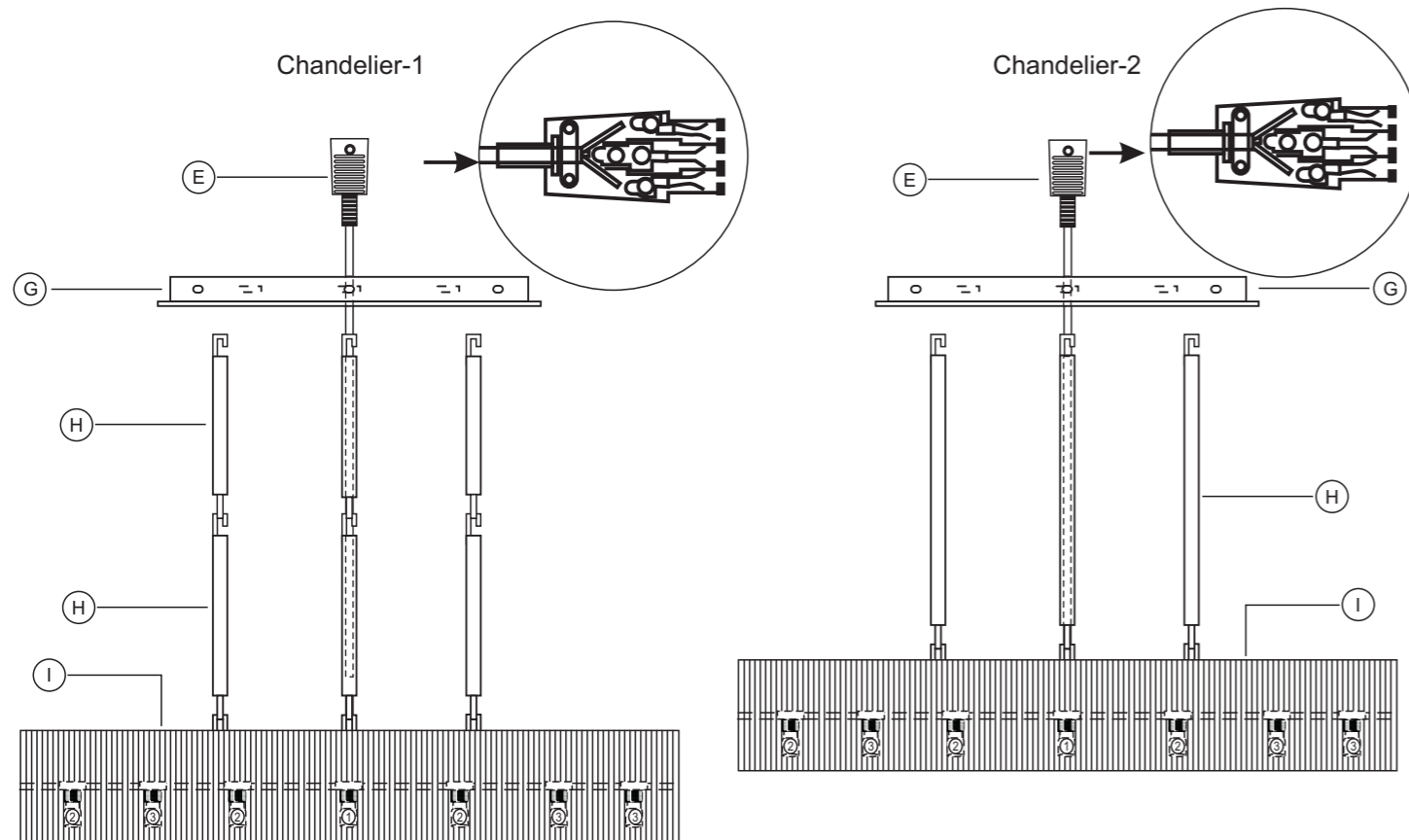
Chandelier-1	Chandelier-2
28 Inches	34 Inches
40 Inches	34 Inches
28 Inches	46 Inches



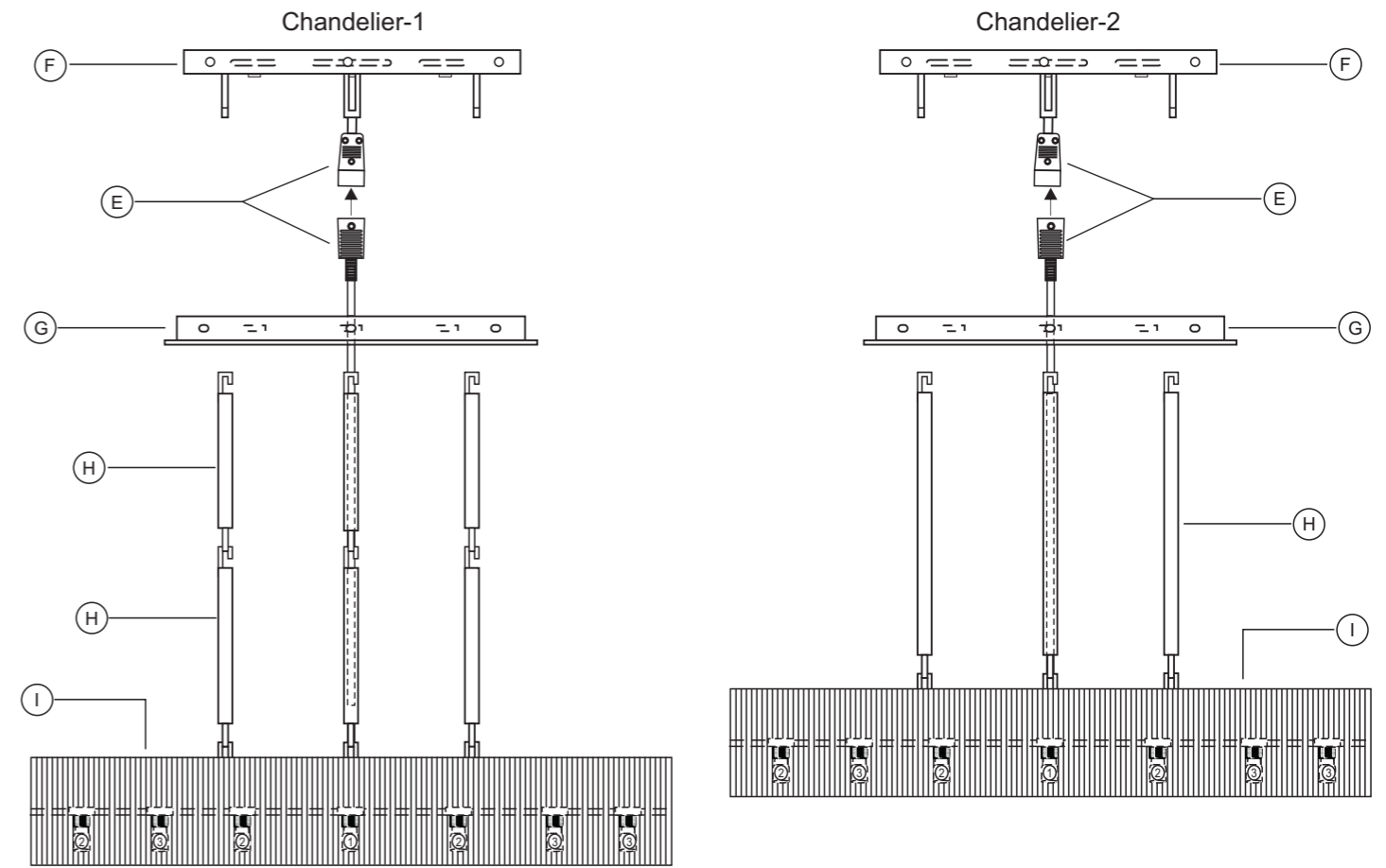
STEP 5 Connect Wire to Connecting Pipe : Insert the wire through the connecting pipe. Insert wire through the ceiling canopy.



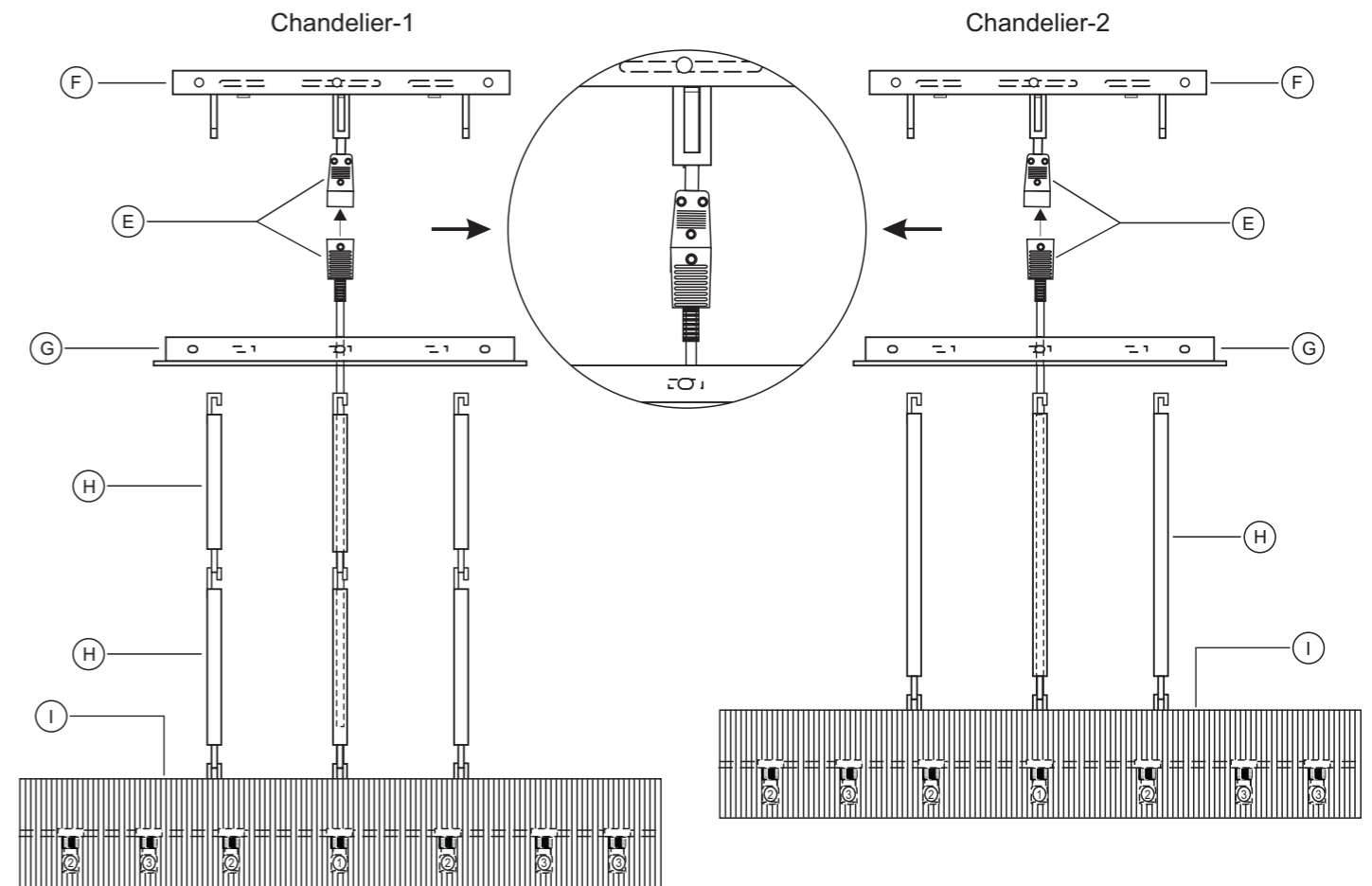
STEP 6 Connect Wire to Connector : Now join the female part of the connector.



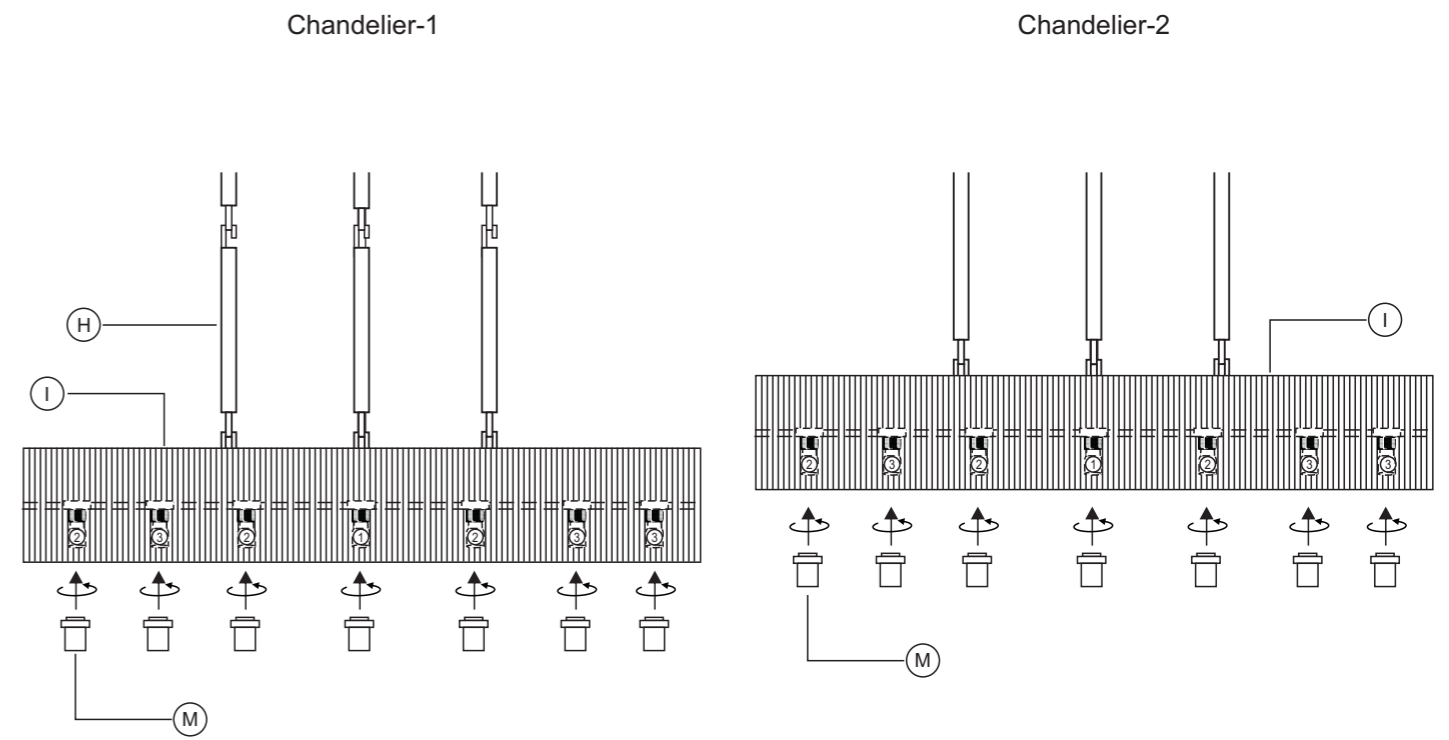
STEP 7 Align Hook : With the help of another person to hold the weight of the metal frame, raise the chandelier. Align the connecting pipe with the mounting plate hooks.



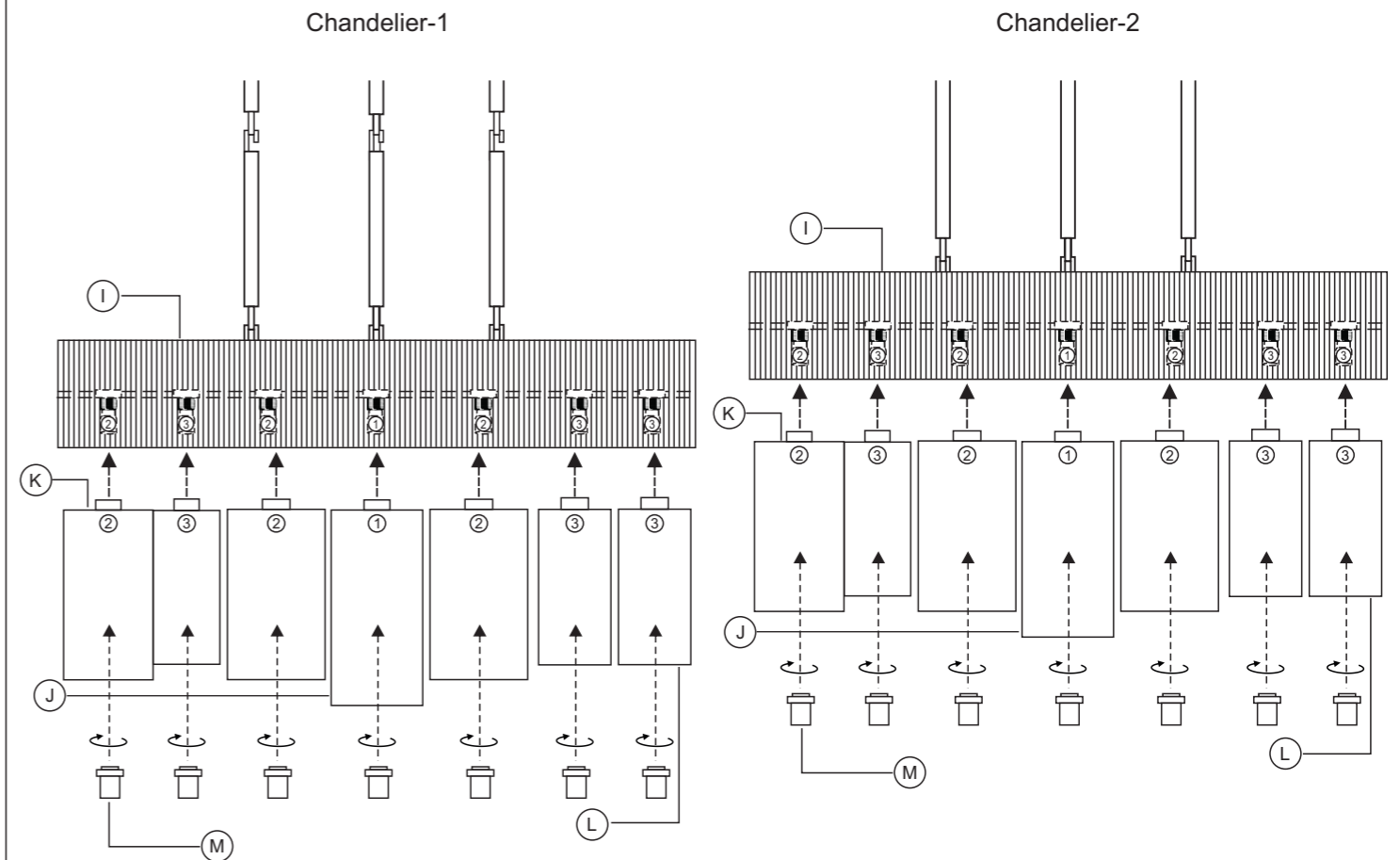
STEP 8 Connect the Connector : Join the female part of connector to the male part of connector.



STEP 11 Unscrew Holder Cap : Unscrew the metal holder cap gently.

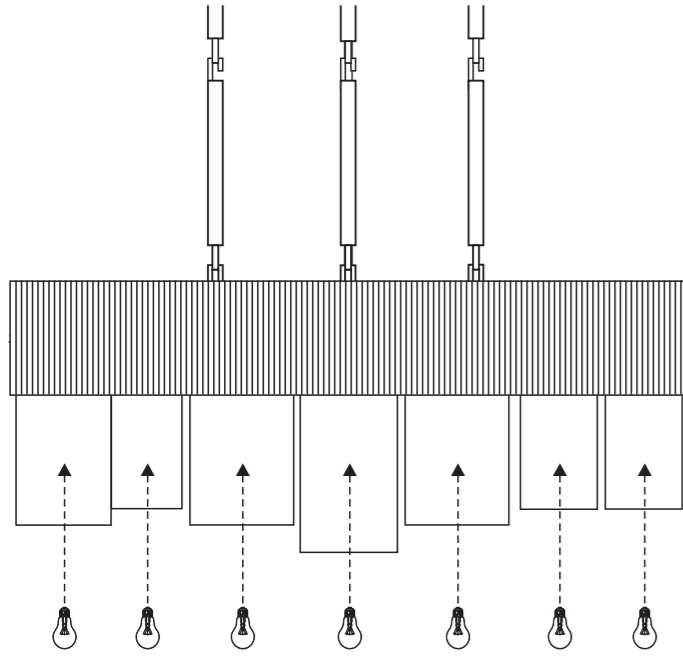


STEP 12 Assemble Glass Shades : Match the codes of the glass shade with the holder. Place the glass shade carefully, tighten the metal holder cap. Donot over tighten the metal holder cap.

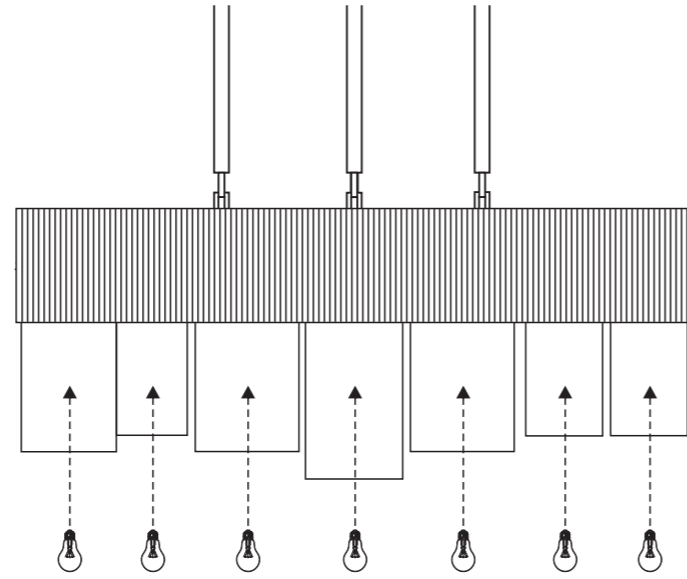


STEP 13 Attach bulb to holder.

Chandelier-1

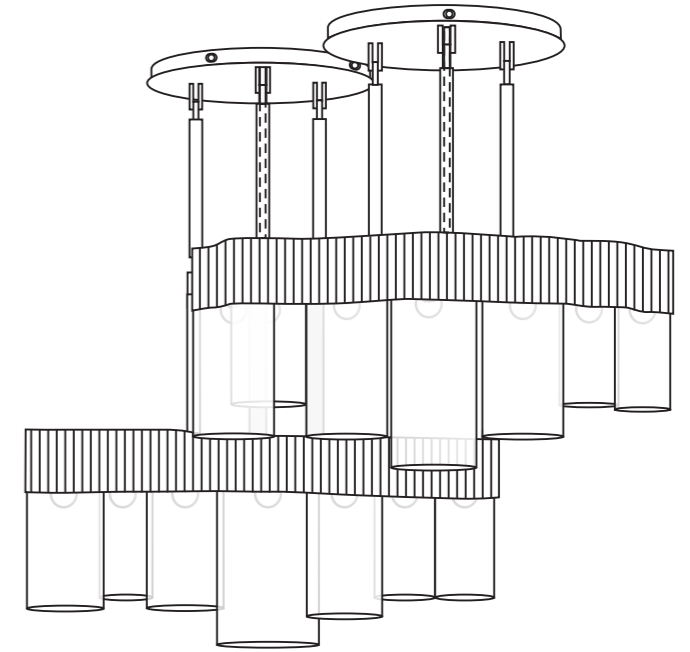


Chandelier-2



CLEANING & CARE

- Dust regularly with a dry cloth.
- Do not use abrasive cleaners.
- Do not use chemical cleaners.
- Retain these instructions for reference.



STEP 14 Restore power to junction box and test fixture.

STEP 15 Now your product is ready for use.

