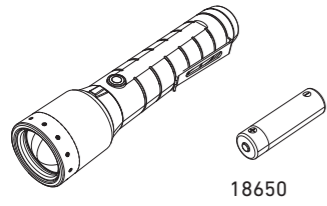
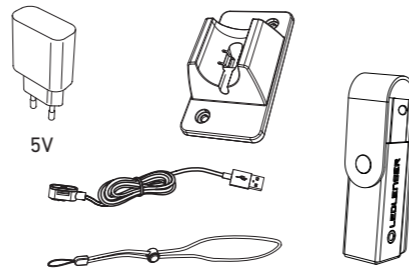
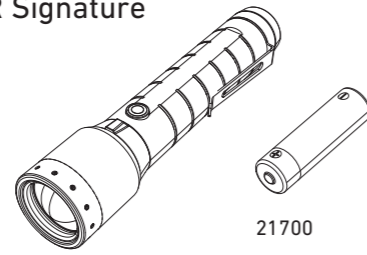


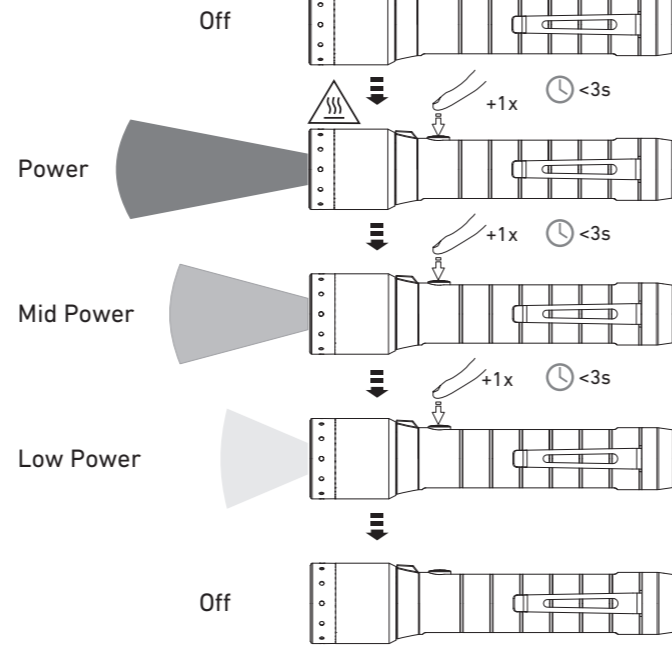
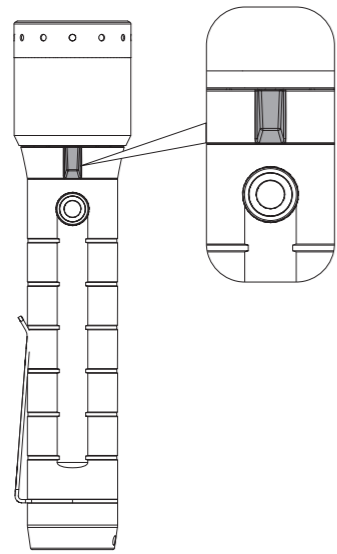
P6R Signature



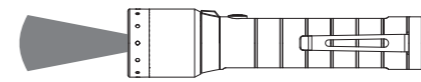
P7R Signature



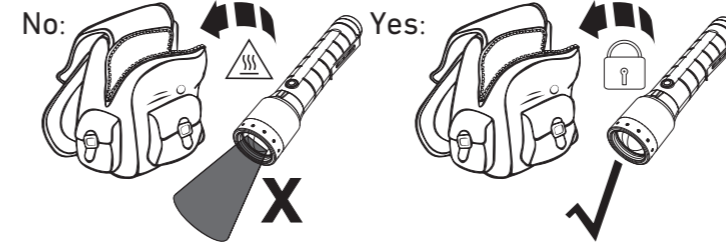
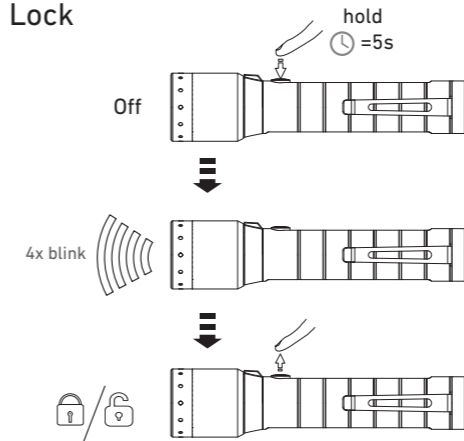
Default Operation



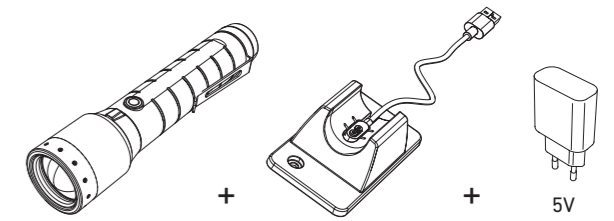
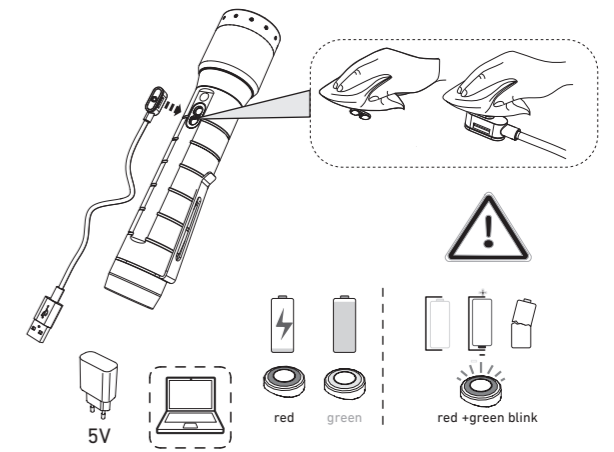
High Temperature



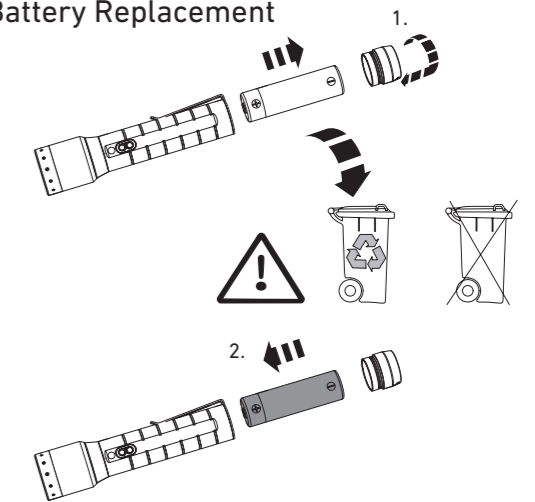
Transportation Lock



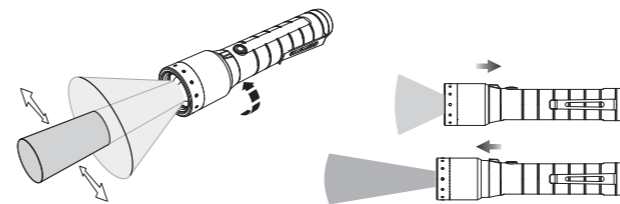
Magnetic Charging System



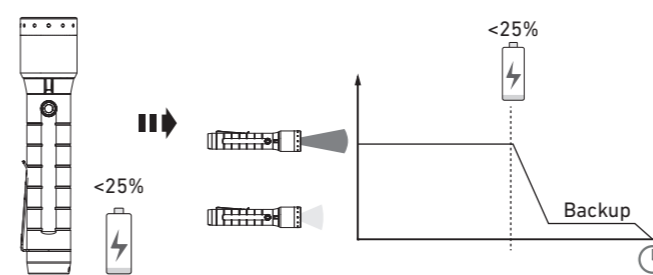
Battery Replacement



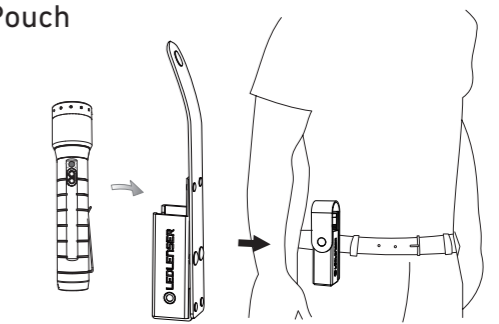
Advanced Focus System



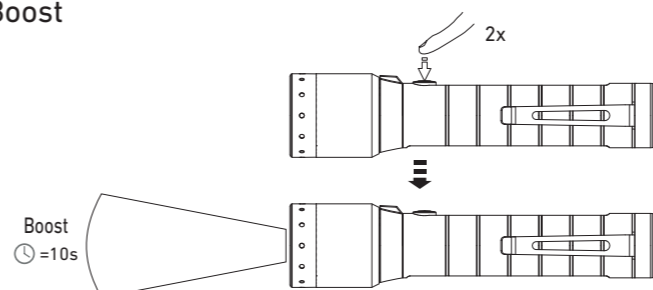
Backup Mode



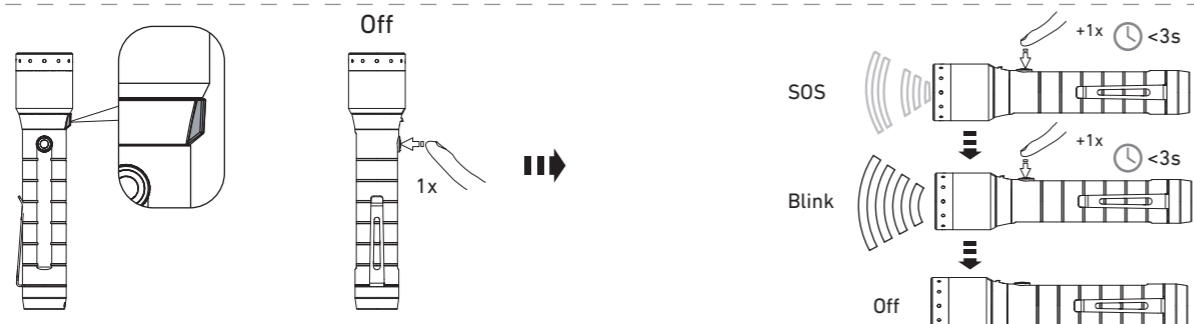
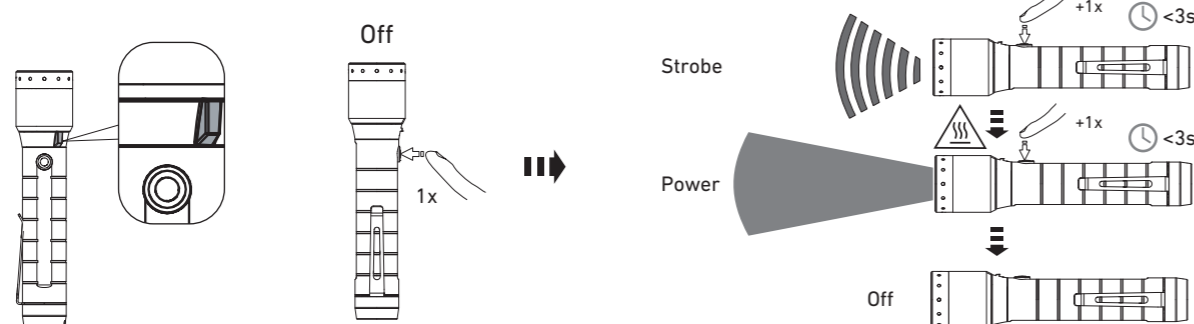
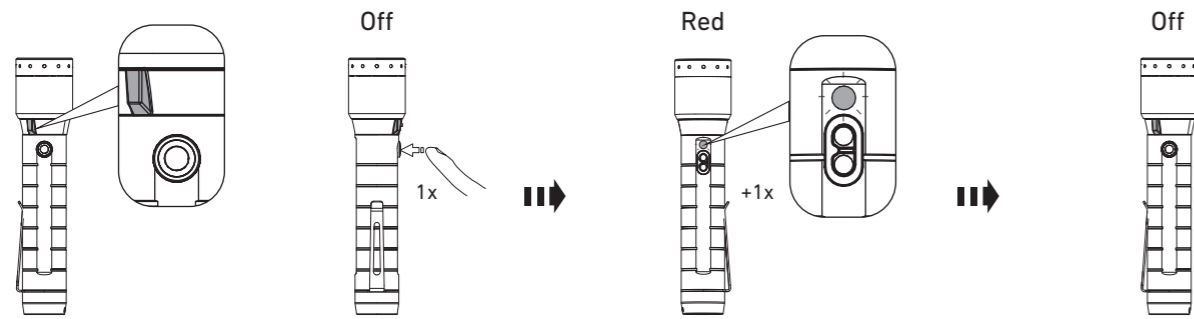
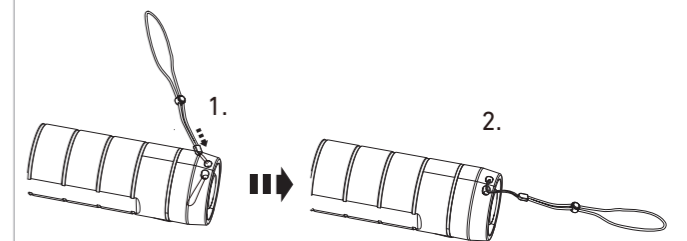
Pouch



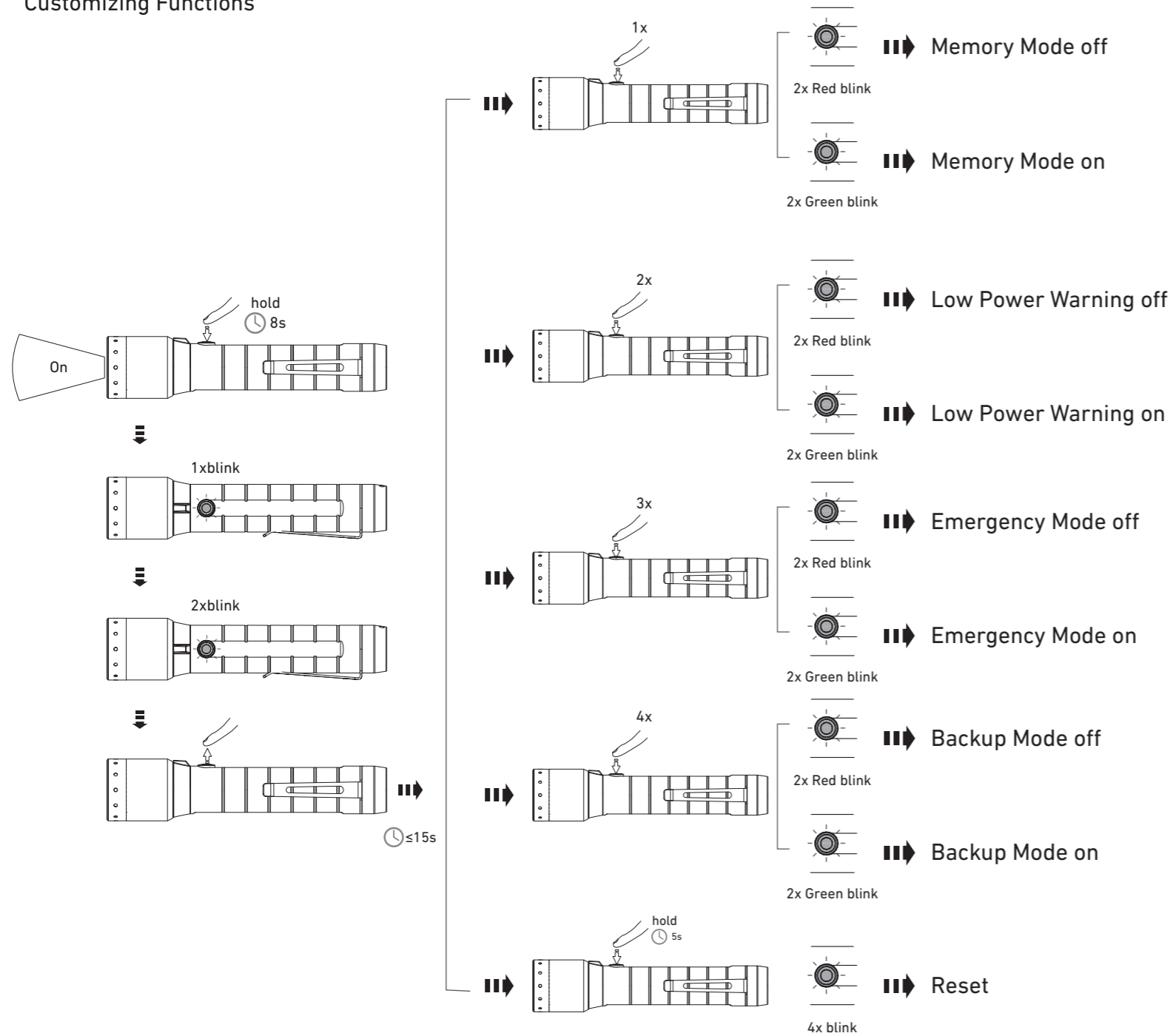
Boost



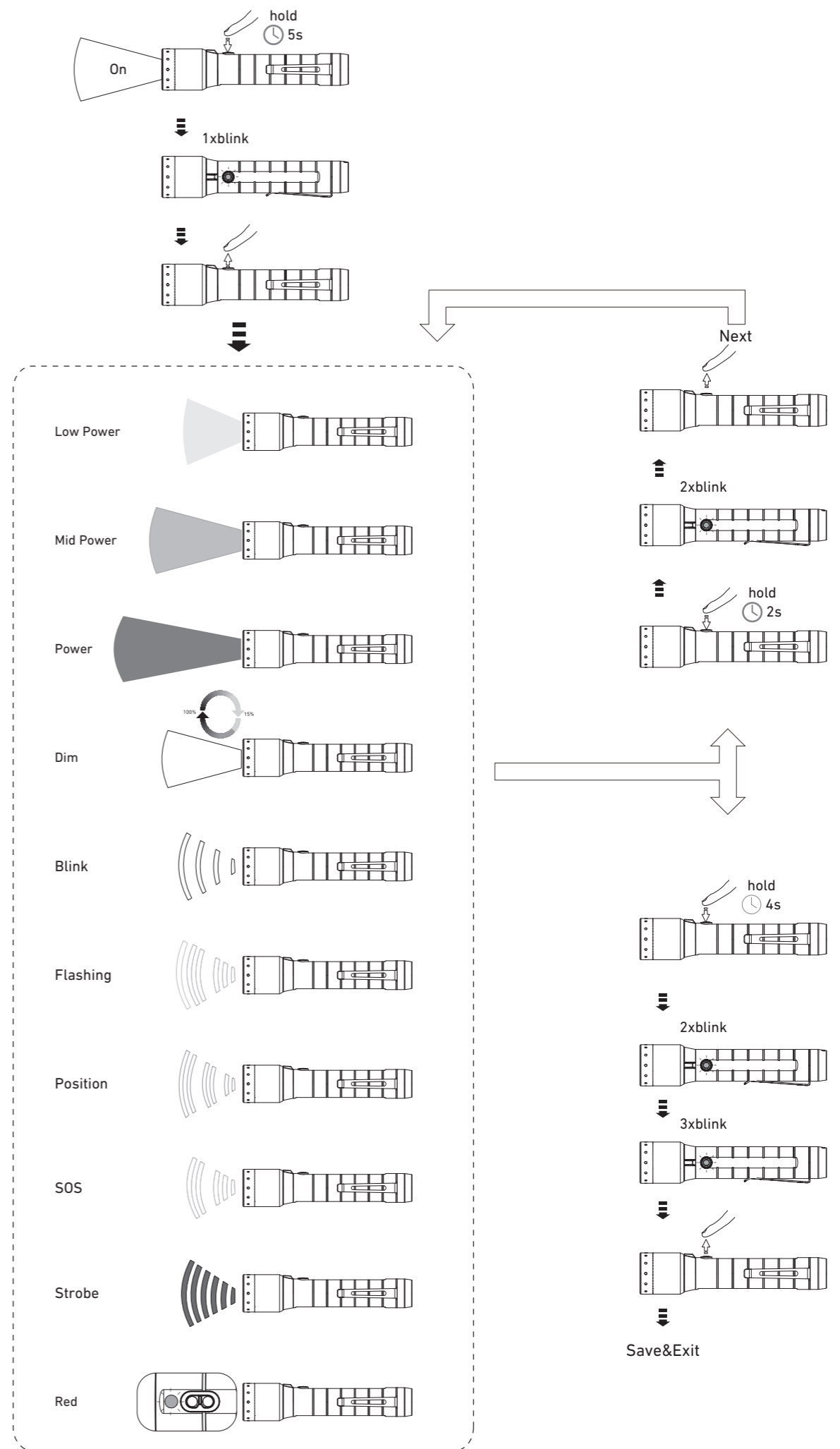
Lanyard



Customizing Functions



Customizing Light Modes



Further Information



Ledlenser GmbH & Co. KG
 Kronenstrasse 5-7 • 42699 Solingen • Germany
 Phone +49 212/5948-0 Fax +49 212/5948-200
 info@ledlenser.com



P6R_P7R_V02
 2021.07.06
 1J12A0485

