



HARMONIA  
LIVING

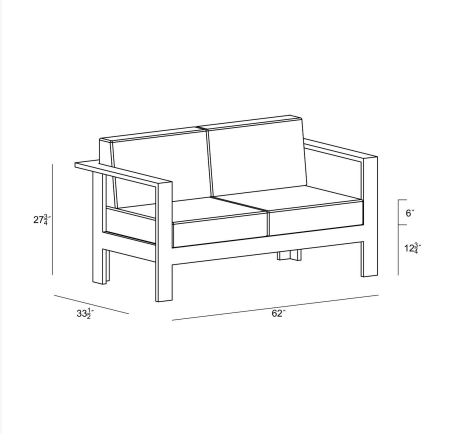
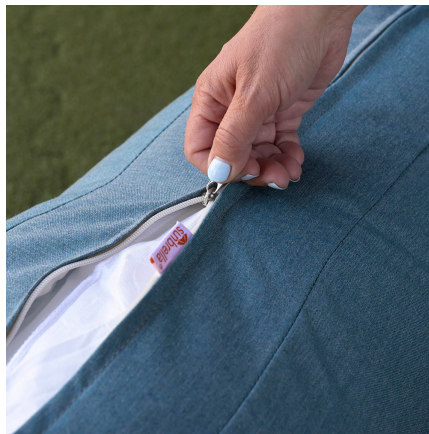
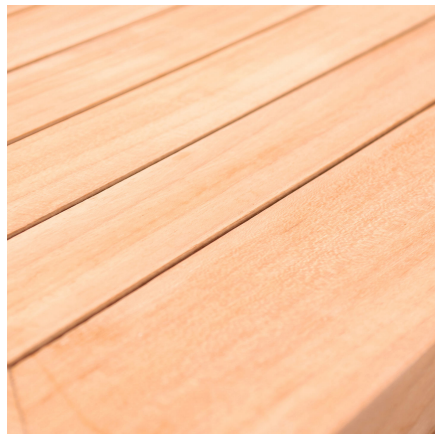
Ando Loveseat HL-ANDO-TK-LS

Product Images

---







## Description

The Ando Loveseat by Harmonia Living will bring stylish comfort and relaxation to your favorite outdoor setting. Crafted from sustainably harvested teak, this line of outdoor furniture will perform well in any climate, rain or shine. The simple, modern elegance of its boxed arms and its gently aged appearance will create a warm, natural feel in any outdoor setting. All-weather, fade resistant cushions provide even more comfort and are designed to endure the elements. If you wish to order this product through Harmonia Living's Quick Ship program, make sure to select a Quick Ship (QS) fabric before checkout! All cushions are made in the USA from Sunbrella, Outdura, and Revolution performance fabrics which carry a 5 year fade warranty. No assembly required.

## Includes

- 1x Ando Loveseat (HL-ANDO-TK-LS)

## Dimensions

- Ando Loveseat: 62"L x 33.5"W x 33.75"H (54 lbs.)
- Frame Height: 27.75"
- Seat Height (No Cushion): 12.75"
- Seat Height (With Cushion): 18.25"
- Back Height: 15"
- Arm Height: 27.75"

## Features

- Teak is dense hardwood that is naturally oily which offers benefits over other natural woods including resistance to light, heat, moisture and pest damage.
- New teak wood furniture will have a warm golden hue that patinas to a silvery grey over time. Letting the teak patina will not compromise the integrity of the wood, however, to keep the golden color, clean the teak furniture about once a year and apply a thin layer of teak oil.
- Plastic foot glides help to protect your patio from scratching and also to help keep the furniture protected from dirt or water that can accumulate on the patio.
- Cushions are made in America using American materials including Sunbrella, Outdura and Revolution performance fabrics which are easy to clean, are fade, stain, mildew resistant and carry a 5 year warranty.
- Machine washable cushion covers feature durable and frustration free YKK brand zippers for easy removal. Top and bottoms of our seat cushions are identical so they can be flipped if a stain gets on the cushion between machine washes.
- All cushions are sewn with PremoBond brand marine-grade UV treated thread made from high-quality mold, mildew, and rot resistant bonded polyester to ensure your cushions won't fall apart at the seams.
- Each seam is finished with overlock stitching for additional durability, reinforcement, weather proofing and to prevent the fraying of internal fabric edges during machine washing.
- American made CertiPUR-US® certified foam cushion inserts which are produced without harmful chemicals such as formaldehyde, ozone depleters, PBDEs, TDCPP or TCEP flame retardants and are free of mercury, lead, and other heavy metals to protect the planet as well as the health of you and your loved ones.
- Thick 4.5" foam seat cushion inserts plus additional layers of 1" of quick-drying Dacron on the top and bottom to help wick away moisture. This combination of layers creates the "Goldilocks" of cushions, firm enough to avoid bottoming out but soft enough for comfort.
- Back cushions are filled with 100% polyester fill fibers for a cloud-like back rest. The insert is sewn shut in a mesh encasing to keep the filling clean and easy to unstuff.
- Cushion ties are sewn to the back of each seat cushion to secure them in place to the frame.