

# AI 180° Panoramic Mini Bullet Network Camera

**NDA A**

IP67  
IK10



**DATASHEET**

## KEY FEATURES

- ▶ NDA A Compliance (Milesight Fully NDA A-compliant products are well suited for government, defense and a range of projects subject to the NDA A.)
- ▶ 120dB Super WDR (Excellent performance even when the ratio of the luminosity of brightest and darkest is up to 120dB.)
- ▶ Advanced Functions (Boasting to support various advanced functions such as HLC, ROI.)
- ▶ 256G (Supporting ultra-large external microSD/SDHC/SDXC card storage up to 256G.)
- ▶ Adjustable 3-Axis Bracket (Providing a robust mounting platform for angle adjustments on a 3-axis plane.)
- ▶ Built-in Microphone (Using advanced codecs to provide clearer voice and robust performance.)
- ▶ Smart Stream (Bandwidth, storage and bit rate are saved with Smart Stream On, e.g. H.265+ saves 70%~80% bandwidth that of H.264.)

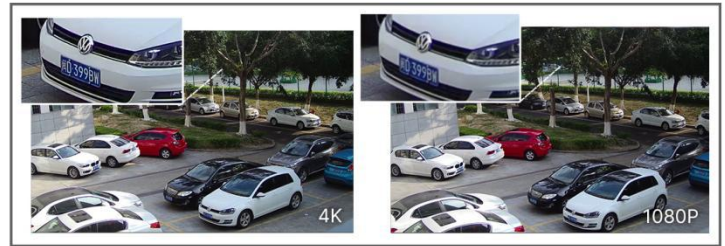
## AI Video Analytics

- 8 intelligent VCA modes powered by AI engine, which can intelligently filter objects to focus on human and vehicle detection.
- People Counting technology provides high accuracy and real-time data based on AI algorithm with statistic reports.



## 4K Video Viewing Experience

Milesight 4K H.265 Network Camera delivers up to 4K resolution (3840\*2160, effectively four times that of Full HD) at 15 frames per second (fps), providing users with ultra-high-definition video viewing experience.



## 180° Panoramic View

The camera is perfect for whole picture viewing experience. It catches 180° horizontal coverage and 95° vertical coverage, achieving 180° panoramic viewing with only single sensor, which is a revolutionary creation in the bullet model.



## Integrated Junction Box

The well-designed Integrated Junction Box ensures efficient and simple installation. It enlarges the space to make cable connection neat and easy. With the help of IP67-rated weather-proof design and Point-contact Power Supply, the Integrated Junction Box is able to offer stable operation and supreme user-experience.



# AI 180° Panoramic Mini Bullet Network Camera



	Model	MS-C5365-PA (5MP)	MS-C8165-PA (4K)
<b>Camera</b>	Image Sensor	1/2.8" Progressive Scan CMOS	
	Min. Illumination	Color: 0.005Lux@F1.2 Color: 0.008Lux@F2.0 B/W: 0Lux with IR on	Color: 0.01Lux@F1.2 Color: 0.012Lux@F2.0 B/W: 0Lux with IR on
	WDR	120dB Super WDR	
	Lens	1.68mm@F2.0	
	Mount	M12	
	Field of View	H180°/V95°	H180°/V86°
	Shutter Time	1/100000s~1s	
	IR Distance	Up to 15m	
	Day/Night Mode	Day/Night/Auto/Customize/Schedule	
	S/N	>55dB	
<b>Video</b>	Max. Image Resolution	2592x1944 (Original)	3840x2160
	Primary Stream	60Hz: 30fps@(2592x1944)(Original), 30fps@(2560x1440, 1920x1080, 1280x720) 50Hz: 25fps@(2592x1944)(Original), 25fps@(2560x1440, 1920x1080, 1280x720)	60Hz: 25fps@(3840x2160), 30fps@(3456x1936, 3200x1800, 2880x1624, 2560x1440, 1920x1080, 1280x720) 50Hz: 25fps@(3840x2160, 3456x1936, 3200x1800, 2880x1624, 2560x1440, 1920x1080, 1280x720)
	Secondary Stream	60Hz: 30fps@(704x576, 640x480, 640x360, 352x288, 320x240, 320x192) 50Hz: 25fps@(704x576, 640x480, 640x360, 352x288, 320x240, 320x192)	
	Tertiary Stream	60Hz: 30fps@(1280x720, 704x576, 640x480, 640x360, 352x288, 320x240, 320x192) 50Hz: 25fps@(1280x720, 704x576, 640x480, 640x360, 352x288, 320x240, 320x192)	
	Video Compression	H.265+/H.265(HEVC)/H.264+/H.264/MJPEG	
	Video Bit Rate	16Kbps~16Mbps(CBR/VBR Adjustable)	
	Privacy Masking	Up to 24 areas	
	ROI	Up to 8 areas	
	Image Setting	Brightness/Contrast/Saturation/Sharpness	
<b>Interface</b>	Ethernet	1*RJ45 10M/100M Ethernet Port	
	Audio Interface	Built-in Microphone	
<b>Network</b>	Network Storage	NAS(Support NFS, SMB/CIFS), ANR	
	Protocol	IPv4/IPv6, ARP, TCP, UDP, RTCP, RTP, RTSP, RTMP, HTTP, HTTPS, DNS, DDNS, DHCP, FTP, NTP, SMTP, SNMP, UPnP, Bonjour, SIP, PPPoE, VLAN, 802.1x, QoS, IGMP, ICMP, SSL	
<b>Audio</b>	Audio Compression	G.711/AAC/G.722/G.726	
	Audio Sampling Rate	8/16/32/44.1/48KHz	
	Audio Bit Rate	16~256kbps	
	Two-way Audio	N/A	

# AI 180° Panoramic Mini Bullet Network Camera

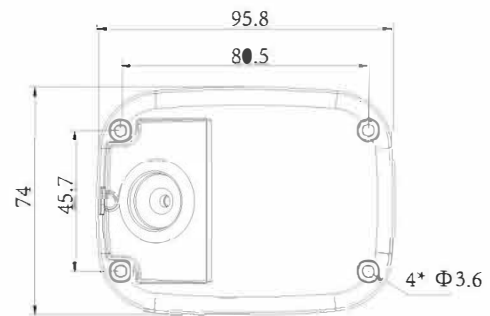
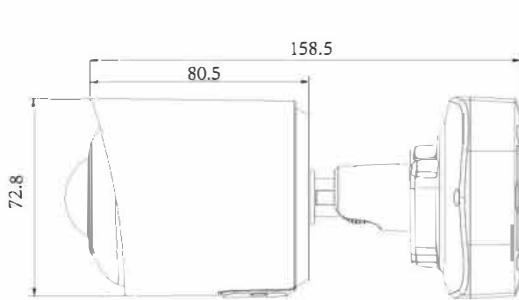


<b>Intelligent Analytics</b>	Video Analysis	Region Entrance, Region Exiting, Advanced Motion Detection, Tamper Detection, Line Crossing, Loitering, Object Left, Object Removed
	People Counting& Report	Count the number of people entering or exiting, up to 4 detection areas for regional people counting
<b>System</b>	Storage	Support microSD/SDHC/SDXC Card Local Storage, up to 256G
	Advanced Function	Heat Map, BLC, HLC, 2D DNR, 3D DNR, AWB, IP Address Filtering, AGC, Anti-flicker, Corridor Mode, Deblur, Watermark
	SIP/VoIP Support	Yes, Voice & Video-over-IP
	Event Trigger	Motion Detection, Network Disconnection, Audio Alarm, etc.
	Event Action	FTP Upload, SMTP Upload, SD Card Record, SIP Phone, HTTP Notification, etc.
	System Compatibility	ONVIF Profile G & Q & S & T, API
<b>General</b>	Working Temperature	-40°C~60°C
	Working Humidity	0~90%(Non-condensing)
	Power Supply	PoE (802.3af) / DC 12V ± 10%
	Power Consumption	5W MAX 8W MAX (With IR on)   6W MAX 9W MAX (With IR on)
	Weather Proof	Up to IP67-rated for Weather-resistant Performance
	Housing	Vandal-proof IK10-rated Metal Housing
	Weight	630g
	Dimensions	95.8mmX74mmX158.5mm
	Warranty	3/5 Years

# AI 180° Panoramic Mini Bullet Network Camera



## Structure Diagrams



Units: mm

## Accessories Support

A01 Pole Mount

Weight: 720g  
Dimensions: 170\*51.5\*152.6mm



A03 External Corner Bracket

Weight: 900g  
Dimensions: 170\*152.5\*76.3mm



Driving Technology since 2000

Y3K (Europe) Limited  
UK Head Office:  
Airport House, 265 Purley Way, Croydon, Surrey, CR0 0XZ

☎ 0208 689 9999  
✉ [enquiries@y3k.com](mailto:enquiries@y3k.com)  
🌐 [y3k.com](http://y3k.com)

© 2021 Y3K (Europe) Limited. All rights reserved. Design and specifications are subject to change without notice.