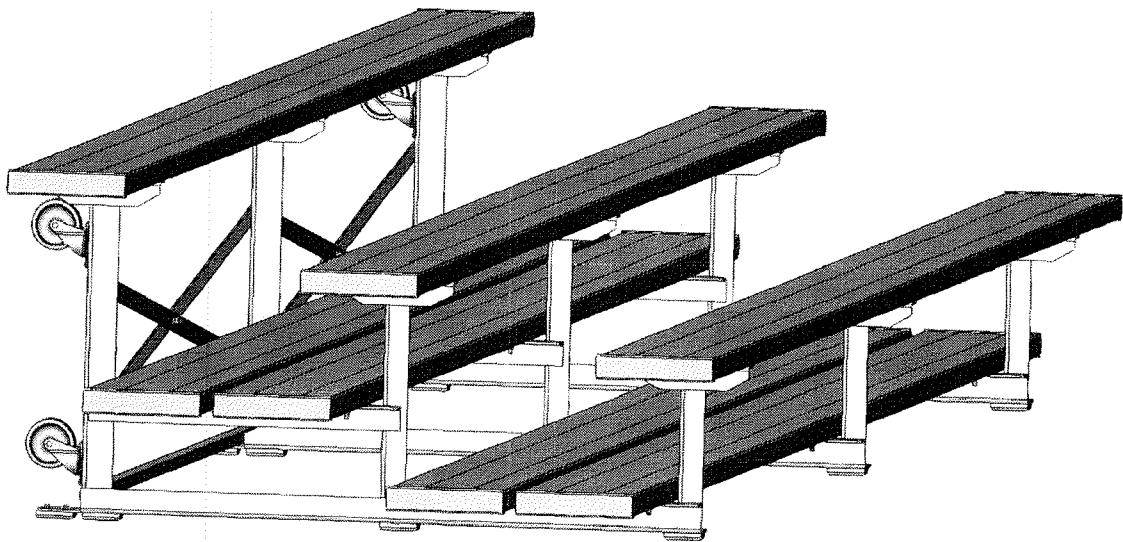


# FIRST TEAM SPORTS, INC.

## FANSTAND TIP N ROLL BLEACHER ASSEMBLY



**NOTE: THE ILLUSTRATIONS ARE FOR REFERENCE ONLY. YOUR BLEACHER MAY BE DESIGNED WITH A DIFFERENT CONFIGURATION.**

These instructions are to be use in the assembly of First Team Sports' FanStand Tip N Roll bleacher system. Fully read and follow each step of these instructions carefully. Assembly should only be done by skilled persons with at least a basic ability to use standard hand tools. **REMEMBER: Bleachers can be dangerous. Their use can result in bodily injury or death. Improper assembly could result in failure and/or bodily injury!**

If you have questions about assembly, contact First Team Sports, Inc. 1-888-884-6677

### **TOOLS YOU WILL NEED:**

Bleacher assembly requires the use of basic tools. We recommend you have the following list of tools available.

- 3/8" socket wrench(s) & extension driver(s)
- 3/8", 1/2" and 9/16" socket(s)
- 3/8", 1/2" & 9/16" combination wrench(s)
- Phillips screw driver
- Framing Square
- Tape Measure

## **STEP 1: UNLOAD/UNPACK PRODUCT**

Check over the parts to make sure nothing has been damaged in shipping. Notate any damage on the delivery receipt prior to truck driver leaving. Pay special attention to the aluminum planks. It may be necessary to remove planks from the truck one plank at a time. If you do not have manual labor available, renting a forklift to assist with unloading may be necessary depending on the size/quantity of your bleacher order.

Our bleacher components are designed to be interchangeable. Cross check the components list provided on your packing list to make sure all pieces/handling units were delivered and accounted for. Notate any shortages on delivery receipt before delivery driver leaves.

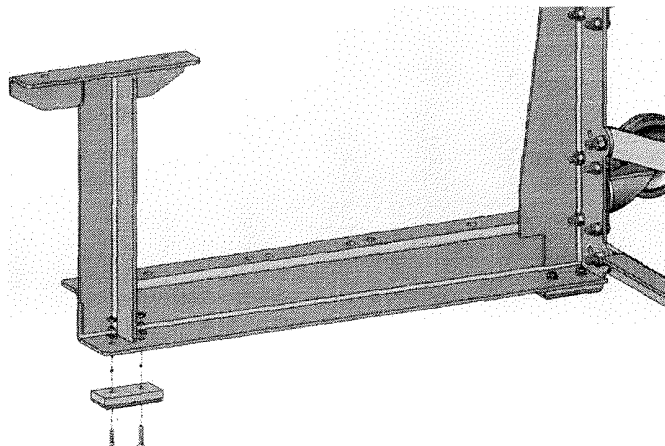
## **STEP 2: ASSEMBLY RULES**

Follow these basic rules for proper bleacher assembly.

1. All fasteners must be Grade 5 or equivalent. Grade 5 fasteners have 3 opposing marks on the head of the bolt fastener.
2. Always use a lock washer on the nut side of each bolt fastener.
3. Bleacher should be assembled on a level surface. If floor damage is a concern, use protective covering/plywood or other protective materials under your work area.
4. Make sure parts are square and even before tightening bolts and nuts.
5. Constantly check squareness of assembly as you complete steps.

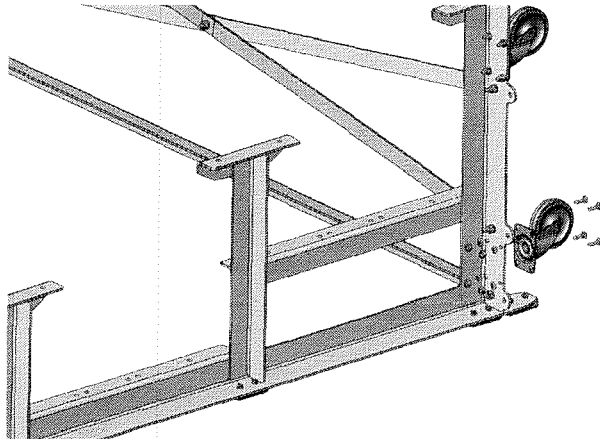
## **STEP 3: FRAME ASSEMBLY**

Attach the rubber foot pads to the bottom of each frame. Insert (2) provided #10 x 1" phillips machine screws from the bottom side of the rubber foot pad up through the frame. Make sure the machine screw head is recessed into the rubber foot pad so as to prevent floor damage. Use the provided #10 flat washer, lock washer and hex nut hardware on top of the frame to secure each machine screw.



## STEP 4: WHEEL ATTACHMENT

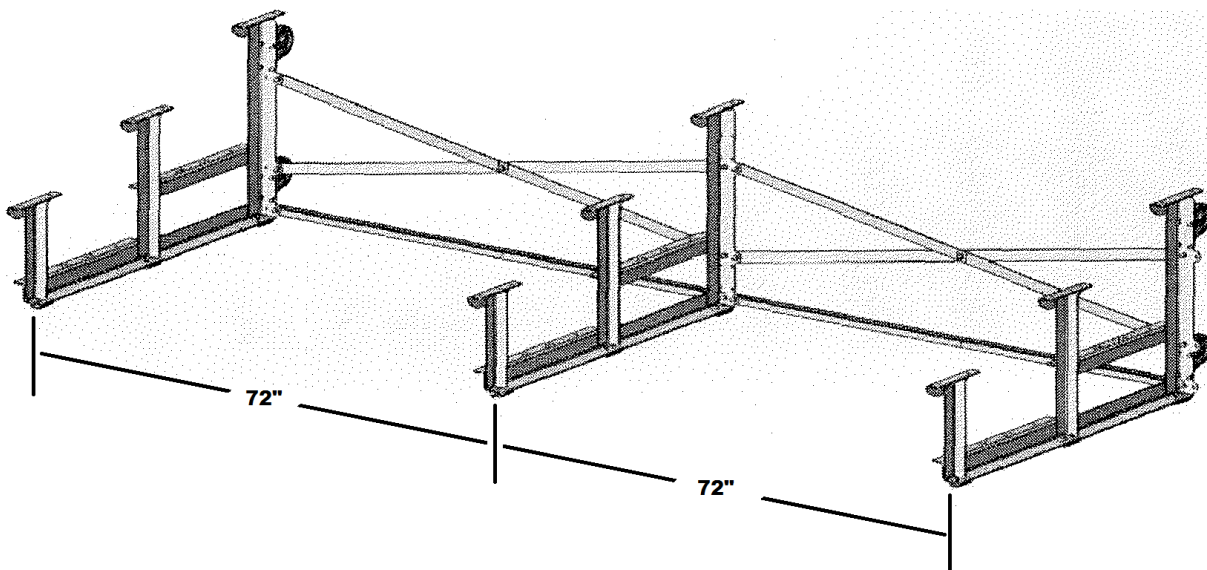
Tip n roll bleachers are designed for the attachment of caster/wheel to the back of the riser frame. You should have received a total of (4) caster/wheel assembly for each tip n roll bleacher you purchased. Wheels are only attached to the riser frames at each end of the finished bleacher assembly. Using (4) 5/16"x 1" machine screw, (4) 5/16" lock washer and (4) 5/16" hex nut attach two caster/wheel assembly to each end bleacher riser as shown.

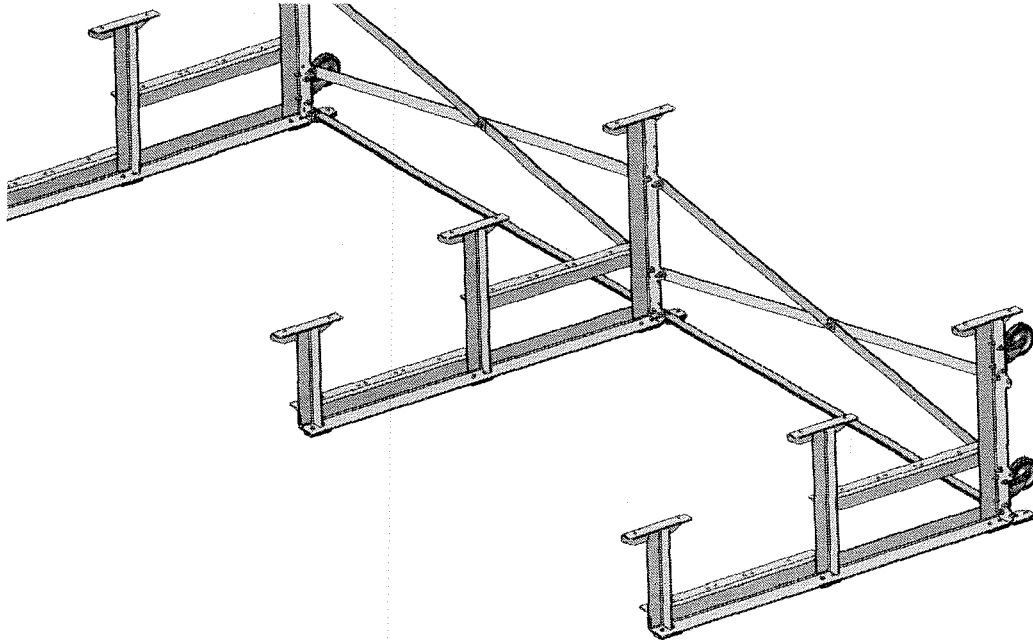


## STEP 5: ATTACH CROSS BRACES

Space frames at 72" intervals (center to center). Attach the horizontal and cross braces using the provided hardware (3/8"x 1 1/4" hex bolts). Bolts should be inserted from the back side of the bracing toward the front. Use the appropriate hardware (3/8" lock washer & 3/8" hex nut) to secure the bolt on the front side. **NOTE: Diagonal cross braces are made from flat steel. Horizontal brace has a bent angle lip with an arrow cut into it indicating top side.**

**WARNING!!! -TO AVOID FLOOR DAMAGE, BE CERTAIN TO BOLT HORIZONTAL BRACE WITH ARROW POINTING UP!**

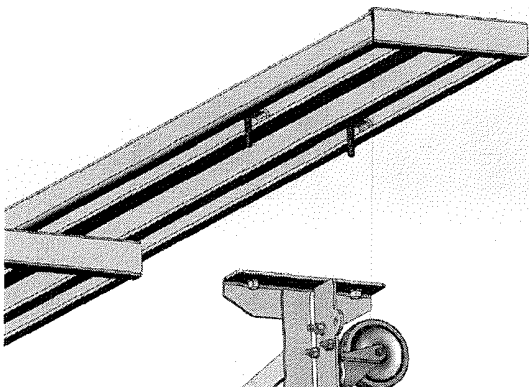


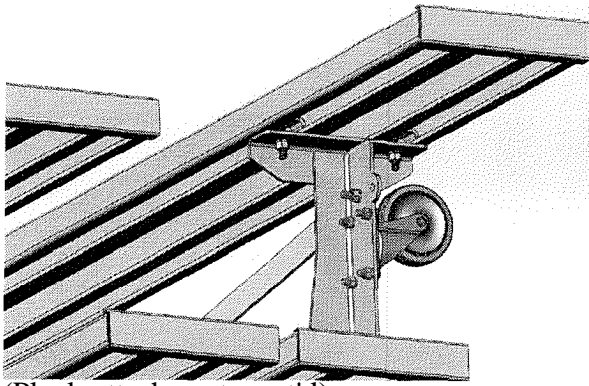


(Cross Brace & Horizontal Brace Detail cont'd)

### **STEP 6: SEAT PLANK/FOOT PLANK ATTACHMENT**

DOUBLE CHECK THE SQUARENESS OF EACH RISER BEFORE PROCEEDING. RISERS SHOULD BE 72" APART FRONT TO BACK. CHECK & RECHECK THROUGHOUT THIS STEP. Position each seat plank onto the top of each seat support bracket. Adjust the position of each plank so it is positioned in the center of the bracket and so the plank extends beyond the center of each support frame the same at each end of the bleacher. Attach each seat plank to the seat support brackets using the provided pressure clamps and provided hardware (3/8"x2" carriage bolt). Use two clamps per plank attachment location. Make sure both sides of each pressure clamp lock down and over each plank rib. Use a 3/8" hex nut and lock washer to secure the carriage bolt.





(Plank attachment cont'd)

For single foot plank configuration, connect each foot plank using the center holes located in the horizontal portion of the riser. If using a double foot plank use the outermost holes in the horizontal portion of the support riser to connect foot planks. Adjust the foot planks to align with the ends of the seat planks. Use the same pressure clamps and hardware as used on the seat planks to secure foot planks.

## **STEP 7: CHECK FOR LOOSE BOLTS AND SCREWS**

The bleacher should now be fully assembled. Go back and recheck to make sure all bolts and screws are tight. Loose hardware is dangerous! Although this bleacher system requires very little maintenance, periodically check the condition of the bleacher. Check welds and tighten any loose hardware.

# **WARNING- WARNING-WARNING**

Bleachers can be dangerous! The following must always be observed with the use of this equipment.

- Place bleacher on hard level surface only.
- Never allow children to use bleacher for climbing or horseplay.
- Keep bleacher a safe distance away from hazards.
- Maintain a safe distance from sporting activities to ensure safety of players and spectators
- Do not allow use of bleacher when wet or slippery.
- Make sure all assembly bolts are tight before use.
- Do not stand or walk on seat planks for any reason.

**FIRST TEAM SPORTS, INC.  
902 COREY ROAD  
HUTCHINSON, KS 67501  
800-649-3688  
Firstteaminc.com**