

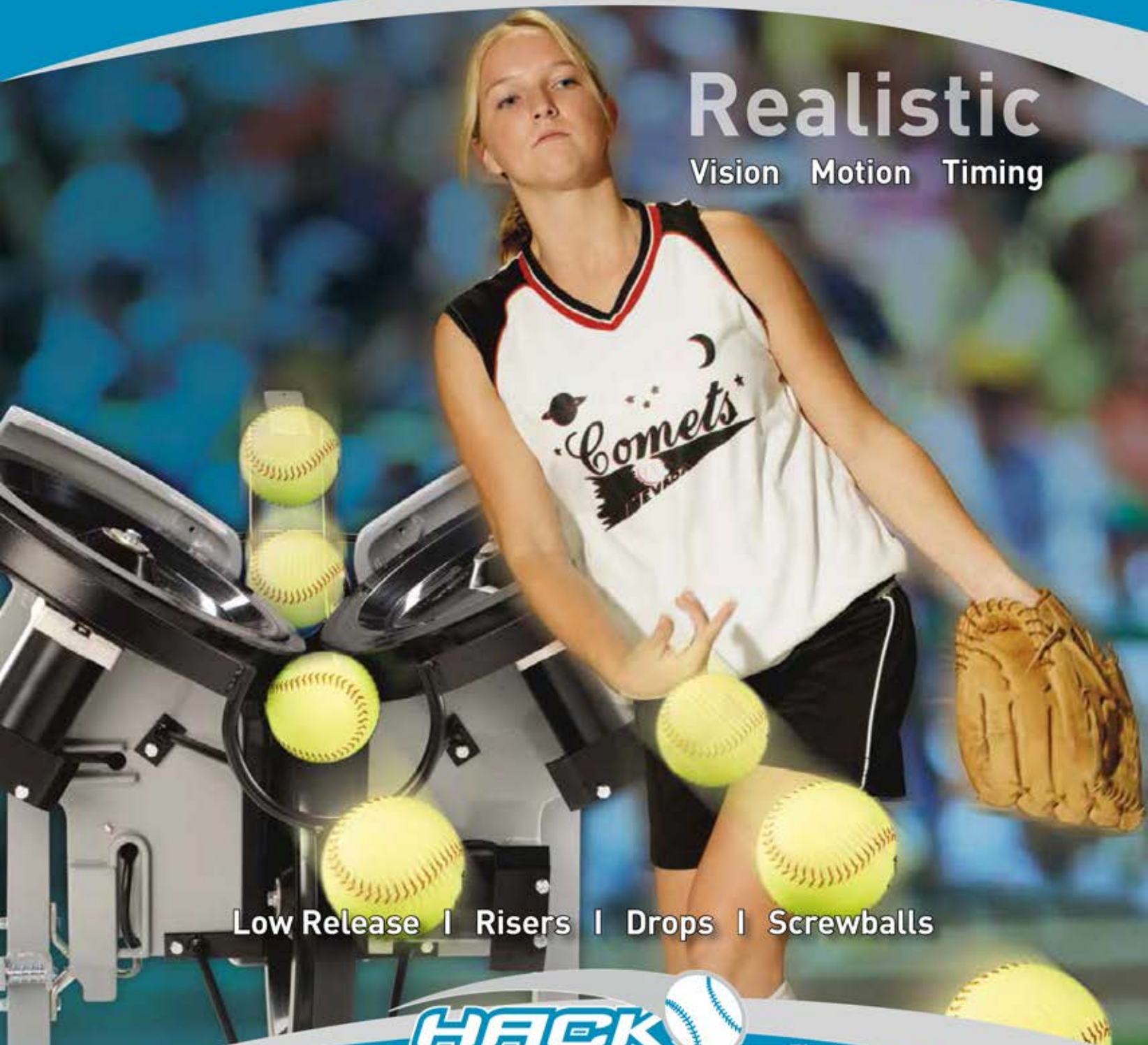


SOFTBALL

PITCHING MACHINES

Realistic

Vision Motion Timing



Low Release | Risers | Drops | Screwballs

HACK ATTACK™

JUNIOR
HACK
ATTACK

eHACK
ATTACK
ELECTRONIC

HACK ATTACK SOFTBALL PITCHING MACHINE

Front Wheel Guards

Protects throwing wheels from balls driven back into machine and during set-up, transporting and storage

Feed Chute Handle

Pivots throwing head instantly in any direction for all fungo work

Three Large Concave Wheels

Provide accuracy, speed, and vision with no wear

Throwing Wheel Dials

Allows you to make all the necessary adjustments for every type of pitch

Throwing Wheel Guards

For safe operation

Throwing Head

Mass eliminates recoil, ensuring repeatability

Pitch Selection Chart

Dial locations for the fastballs, rise, drop and right or left hand screwballs

Frame Locking Pin

For safe and easy transporting

Motor Covers

Heavy duty covers deflects line drivers

Easy Transport

Moves and stores easily

Fungo/Pivot Control

Tightens for pitch repeatability; loosens for fungo work

Extra-Wide Tripod Base

Provides stability on all surfaces, including mounds

Pitch Elevation Control

Moves the pitch up and down through the strike zone - location can be changed between pitches

Locking Quick Release Legs

Quick set-up

Leg Storage

Carries and stores legs with machine

Inside/Outside Adjustment

Move pitch across width of plate between pitches

Heavy-duty Leg Caps

Stabilizes machine and protects floors



Patent No. US 8,001,954,B2

Exceptional Quality

- Machines are heavy enough to absorb recoil, ensuring accuracy, yet portable and easily moved by one person.
- Extra wide tripod base insures real stability and safety on mounds or playing surfaces.
- High tensile, tough heat-treated alloy, weather-resistant aluminum casting throwing head protects throwing mechanism.
- Rugged powder-coated rust-proof steel frame insures limitless seasons of use.
- The throwing wheels out last all other machine wheels and don't melt in direct summer heat. Sports Attack has never replaced a wheel from wear or heat exposure.
- Three powerful variable-speed motors drive three indestructible concave 14" throwing wheels. Almost instant recovery.

Features of Distinction

	HACK ATTACK	JUNIOR HACK ATTACK
LEVEL OF PLAY	High school, college, professional, and commercial sports facilities	Youth league, backyard, machine-pitch games, travel teams, drills at all levels including high school college and professional
PITCHES	Fastballs, rise, drop, and right- or left-hand screwballs.	Same as Hack Attack
FUNGO	Pivots instantly for pop-ups, fly balls, grounders and catcher's pop-ups	Same as Hack Attack
WEIGHT	135 lbs.	75 lbs.
TRANSPORTABILITY	Fits into any SUV or full size car, fits through standard doorway	Fits into any car, including a compact car
AUTOMATIC FEEDERS	Can use either Solo Feeder (8 ball) or the Team Feeder (75 ball)	Same as Hack Attack
POWER SUPPLY	110 VAC - 2000W generator with inverter technology (not included)	Same as Hack Attack
BALL TYPES	All types, including leather (no synthetics)	Same as Hack Attack plus 7.5" training ball
BALL SIZES	Can be converted to baseball using conversion kit	Can be converted to baseball using conversion kit and can also be converted to use the 7.5" diameter vision training balls <i>(see accessories)</i>

"I've used pitching machines for 40 years. Recently I took a chance and bought a Hack Attack sight unseen. It is the best purchase I ever made! Great risers, portable, easy to operate and indestructible. I junked my other machines for this one." **LEN PERKINS** HEAD SOFTBALL COACH, ANCHOR BAY HIGH SCHOOL

Unique Features

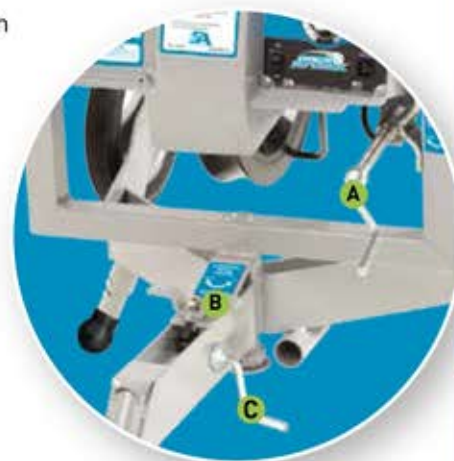
- You can see the ball clearly all the way through the feeding motion, acceleration and release, just like a live pitcher.
- The hitter sees when to stride and the angle of release, giving him an actual live-arm sense of timing and location.
- With a quick turn of the dials, you can effortlessly throw fastball, rise, drop, and right- or left-hand screwballs.
- The three-wheel design changes the breaking pitch plane by simply adjusting wheel speed dials.
- Makes most efficient use of practice time with limited throwing head adjustments needed and an almost instant recovery time. More strikes delivered at every practice!
- Both units quickly move on and off field, just tilt it, unsocket legs and easily roll on two transporting wheels.
- The front wheel guards insure the throwing wheels never come in contact with the ground.
- Both machines are designed for use with regulation leather balls, dimpled practice balls, Wiffle® balls and all softer practice balls. The Junior Hack Attack will also



Throwing Wheel Dials

convert to throw a 7.5" undersized vision training ball. (No synthetic balls)

- The elevation adjustment handle **A** will raise or lower the pitch. With a simple turn, you can even move the pitch up or down within the strike zone between pitches.
- Hack Attack and the Junior Hack Attack includes an inside/outside adjustment **B** that provides instant location change, giving the machines a whole new dimension.
- Quickly release fungo pivot control handle **C** to pivot instantly in any direction for all fungo work including deep fly balls that can drive fielders to the fence, slicing line drives, catcher's pop-ups with reverse spin, towering infield pop-ups, and grounders.
- No assembly is required, both units arrive fully assembled and ready for your immediate use.



JUNIOR HACK ATTACK SOFTBALL PITCHING MACHINE



Patent No. US 8,001,954,B2

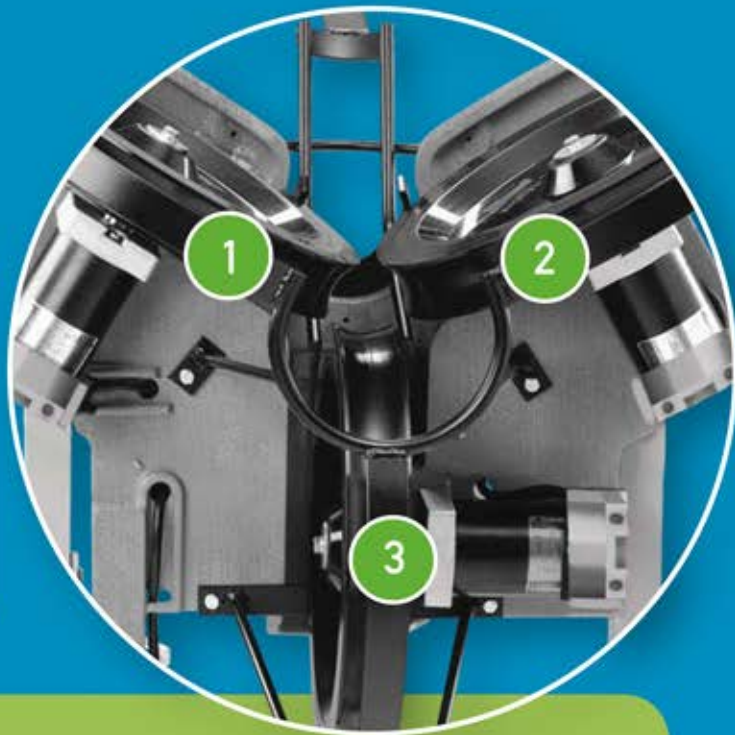
Outstanding Performance

	HACK ATTACK	JUNIOR HACK ATTACK
SPEED	80+ MPH	60+ MPH
DISTANCE	43 feet	Same as Hack Attack
VISION	Complete ball vision provides a realistic sense of timing	Same as Hack Attack
ACCURACY	The ball is gripped in three locations, providing tremendous control and accuracy	Same as Hack Attack
EFFICIENCY	Dial-in pitch selection quick, easy throwing head adjustments, maximizes practice time	Same as Hack Attack
FUNGO	250 ft. fly balls	175 ft. fly balls
PORTABILITY	Quickly rolls on and off the field	Same as Hack Attack
RECOVERY TIME	Because of the three wheels, it is almost instant	Same as Hack Attack

SOFTBALL

PITCHING MACHINES

“The Hack Attack Machine has added a lot to our hitting routines. We have the ability to move the ball around the strike zone in realistic way and adjust the pitches very easily. I feel that the biggest advantage to the Hack Attack is the improvements our tam made last year in seeing the ball. We were able to hit pitchers that had a lot of movement because that is how we trained everyday. Overall it is the best pitching machine have ever seen or used.” **EMILY RUSSELL** Head Softball Coach, Lee University



The Three Wheel Advantage

FEATURE	3-WHEEL HACK ATTACK & JR.	TWO-WHEEL MACHINES	ONE-WHEEL MACHINES	ARM MACHINES
VISION	Complete Provides a realistic sense of timing	Poor	Poor	Poor Motion hidden by arm guard
TIMING	Excellent Natural	Poor Limited vision	Poor Limited vision	Good
ACCURACY	Excellent Three-point contact	Good Two-point contact	Fair One-point contact	Good
BREAKING PITCH	All Quick adjustment	All Awkward - slow	Unrealistic Spin Awkward adjustments	Fastball Only Single pitch
FUNGO	Excellent Pivots instantly	Good - Fair	Poor Limited distance	Poor No pivot
SAFETY	Excellent Wheel guards protect operator	Poor Limited - no wheel guards	Poor Limited - no wheel guards	Excellent complete guard protection
PORTABILITY	Excellent	Good	Good	Very Poor Completely immobile
BALL GRIP AREA	Excellent Three contact points	Good Two contact points	Poor One contact point	N/A
SPIN CONTROL	Exceptional No cumbersome adjustments of throwing head	Good - Poor Must move throwing head	Unrealistic Excessive Spin	Backspin Only
WHEEL DIAMETER	Excellent Large pin-point accuracy, less ball wear	Good Smaller wheels, less accuracy increase wear	Poor Requires pinch pad, heavy ball wear	N/A Propels ball using a mechanical arm (no wheels)
THROWING HEAD SIZE & WEIGHT	Excellent No recoil of any kind for any pitch	Good - Poor Lighter, some recoil	Poor Snubbing action causes recoil	Poor Recoil requires bolting to concrete base

SOFTBALL PITCHING MACHINES

Softball Ball Feeders

Team Feeder The 75 ball capacity Team Feeder will feed a softball into the eHack, Hack Attack or Junior every 7 seconds for a continuous hitting time of 20 minutes.

Solo Feeder Extremely portable 11 softball capacity Solo Feeder provides adjustable intervals between pitches. Feeds the eHack, Hack Attack and Junior Hack Attack.



Team Feeder



Solo Feeder

Softball Machine Accessories

Softball to Baseball Conversion Kits are available for both the Hack Attack and the Junior.

Junior Hack Attack Conversion Kit enables the Junior Hack Attack to throw 7.5" undersized balls for vision training.



Fungo Leg Kit is available for both Hack Attack and Junior Hack Attack. Set of 3 legs with solid, heavy-duty casters for Hack Attack and Junior Hack Attack Softball Pitching Machines allow for ease of maneuverability around the field during fungo training.

A Few Key Customers

Arizona State University
Auburn University
Ball State University
Baylor University
Brigham Young University
Butler University
California State University, Bakersfield
California State University, Fresno
California State University, Fullerton
California State University, Long Beach
California State University, Northridge
California State University, Sacramento
Dartmouth College
Emory University
Florida Atlantic University
Florida Gulf Coast University
Florida State University

Fordham University
Georgia Institute of Technology
Georgia State University
Hofstra University
Idaho State University
Jacksonville State University
James Madison University
Kennesaw State University
Kent State University
Lehigh University
Lipscomb University
Louisiana State University
Loyola Marymount University
Marshall University
McNeese State University
Mercer University
Mississippi State University
Murray State University
New Mexico State University
North Carolina State University
North Dakota State University
Ohio State University

Oklahoma State University, Stillwater
Oregon State University
Pennsylvania State University
Purdue University
Saint Louis University
San Diego State University
San Jose State University
Stanford University
Stetson University
Texas A&M University
Texas A&M University-Corpus Christi
Texas State University
Texas Tech University
Towson University
Troy University
University of Alabama
University of Alabama Birmingham
University of Arizona
University of Arkansas
University of California, Berkeley

University of California, Los Angeles
University of Delaware
University of Dayton
University of Florida
University of Georgia
University of Hawaii
University of Houston
University of Kentucky
University of Louisville
University of Louisiana at Monroe
University of Maryland, College Park
University of Michigan
University of Nebraska, Lincoln
University of Nevada, Las Vegas
University of Nevada, Reno
University of New Mexico
University of North Carolina at Charlotte
University of North Florida
University of Oklahoma

University of Southern California
University of Texas at Arlington
University of Texas, Austin
University of Washington
University of Oregon
University of Tennessee at Chattanooga
University of Louisiana at Lafayette
University of Missouri
University of Minnesota
University of Kansas
University of Notre Dame
University of Pittsburgh
University of Tulsa
Virginia Tech University
Washington State University
Weber State University
Wichita State University
Western Michigan University
... and many more



P.O. Box 1529 · 2805 U.S. 40
Verdi, Nevada 89439

800.717.4251 | 775.345.2882
775.345.2883 fax

See action videos online at
www.sportsattack.com