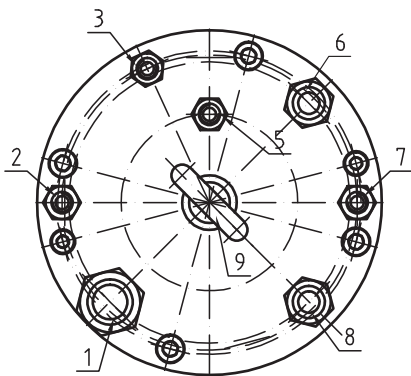


Schematics for the cylinder water inlet/outlet/ wire outgoing and so on



- Connection requirements**
1. Power line Three-color power line and yellow-green earthing line
 2. Cooling effluent Temperature control line 110°C thermistor two-piece fine wires
 3. Tool changing/dust removal pressure 0.2MPa
 4. Air seal pressure 0.1-0.2MPa
 5. Tool discharge and air feed pressure 0.70MPa
 6. Encoder voltage 5VDC
 7. Cooling water feed Pump lift 12m
 8. Proximity switch: for tool discharge and hanging NPN (normally open) N. O.
 9. Handle of the lifting

- Connection description**
1. Three-color power line connected with U, V and W phases of frequency converter, and the yellow-green wire connected with the earth wire
 2. Rapid inserted connecting pipe for the temperature control protector
 3. Rapid inserted connecting pipe for the cooling effluent is 8/6 hoses
 4. Rapid inserted connecting pipe for the air seal is 4/2 hoses
 5. Rapid inserted connecting pipe for the tool discharge and air feed is 6/4 hoses
 6. Encoder voltage 5VDC
 7. Rapid inserted connecting pipe for the cooling influent is 8/6 hoses
 8. Brown wire of the proximity switch connected with +24VDC Blue wire connected with 0VDC
 9. Installation and use of the handle of the lifting sling

- Model** GDL125-40-12Z-7.5
Voltage 380 V
Power 7.5 kw
Current 16.5 A
Frequency 600 Hz
Rotating speed 12000 rpm
Pole number 6P
Phase number 3
Rotating direction Rotate anticlockwise from the shaft extension end
Tool holder BT40 (Parfaite is recommended)
Blind rivet BT40-45° (Parfaite is recommended)
Weight 35 KG

PTC three-core thermistor parameter	
DC power supply	Maximum DC25V/100mA
-20~25℃	≤300Ω
≤90℃	≤750Ω
105℃	≤1650Ω
110℃	Rated operating temperature
115℃	≥3990Ω
≥125℃	≥12KΩ
≤160℃	Maximum storage temperature

Special warning:

1. Improper clamped position of electric main shaft will easily result in the damage of the bearing!
2. The main shaft shall entirely stop before the tool changing. The manual tool changing button shall not act during the rotation of the main shaft; otherwise it will easily result in the seizure of the shaft!
3. The compressed air shall be clean and dry. And the filter accuracy is 0.1um! The air seal is normally open. It is recommended to use the two-level filtration, with the filtration accuracy of 0.5um/0.1um respectively. The compressed air filter shall be installed with the self-discharge device.
4. Suzhou Secona encoder, gear GR05-128A02, miniature measuring head G505T, TTL A/B/Z 1024 ppr. square wave output signal. Consulting call: 139-14017809 (Manager Cai)

Marks	Number of places	Zoning	Modified document number	Signature	Date				Outline diagram
Designed by			Standardized by			Phase mark	Weight	Scale	
Reviewed by									GDL125-40-12Z/7.5
Processed by			Approved by			Total page(s)	Page		