



OPERATION MANUAL

**SJ3215 E, SJ3219 E, SJ3220 E,
SJ3226 E, SJ4726 E, SJ4732 E,
SJ4740 E**

DC ELECTRIC SCISSORS

249533ABA

October 2023
ANSI/CSA

This manual is for MEWPs with serial numbers:

SJ3215 E: A100 040 000 & Above

SJ3215 E: C100 040 000 & Above

SJ3219 E: A100 040 000 & Above

SJ3219 E: C100 040 000 & Above

SJ3220 E: A101 020 000 & Above

SJ3226 E: A101 020 000 & Above

SJ4726 E: A102 020 000 & Above

SJ4732 E: A102 020 000 & Above

SJ4740 E: A103 010 000 & Above

Please refer to the website (www.skyjack.com) for contact information, other serial numbers, most recent technical manuals, animations and USB software.

The original instructions are in English.

THIS SAFETY ALERT SYMBOL MEANS ATTENTION!



BE ALERT! YOUR SAFETY IS INVOLVED.

The Safety Alert symbol identifies important safety messages on MEWPs, safety signs in manuals or elsewhere. When you see this symbol, be alert to the possibility of personal injury or death. Follow the instructions in the safety message.

DANGER

DANGER indicates an imminently hazardous situation which, if not avoided, will result in death or serious injury.

WARNING

WARNING indicates a potentially hazardous situation which, if not avoided, could result in death or serious injury.

CAUTION

CAUTION indicates a potentially hazardous situation which, if not avoided, may result in minor or moderate injury. It may also be used to alert against unsafe practices.

IMPORTANT

IMPORTANT indicates a procedure essential for safe operation and which, if not followed, may result in a malfunction or damage to the MEWP.

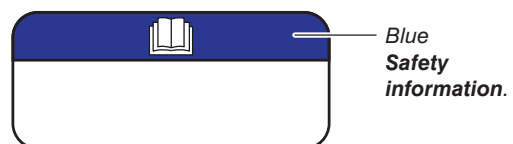
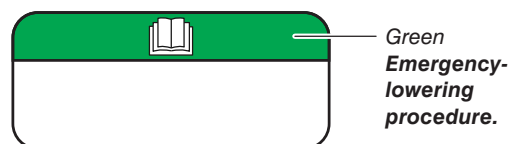
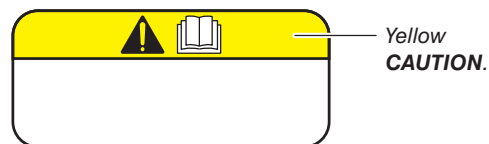
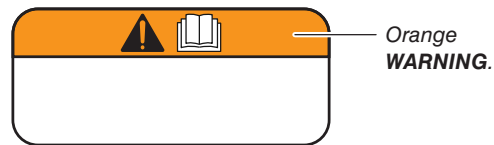
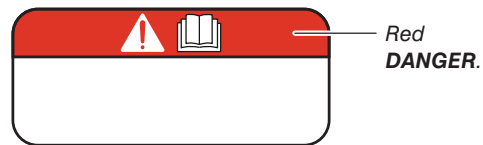


Table of Contents

Section 1 – About this Mobile Elevating Work Platform (MEWP)	9
1.1 Read and Heed	9
1.1-1 <i>Mobile Elevating Work Platform (MEWP) definition</i>	9
1.1-2 <i>Purpose of equipment</i>	9
1.1-3 <i>Use of equipment</i>	9
1.1-4 <i>Operation manual</i>	9
1.1-5 <i>Operator</i>	9
1.1-6 <i>Service policy and warranty</i>	9
1.1-7 <i>Ownership of Machine</i>	9
1.1-8 <i>Optional Accessories</i>	9
1.1-9 <i>Scope of this Manual</i>	9
1.2 Primary assemblies	10
1.3 Serial number nameplate	11
1.4 Maintenance responsibility	12
1.4-1 <i>Operator</i>	12
1.4-2 <i>Maintenance and inspection schedule</i>	12
1.4-3 <i>Owner</i>	12
Section 2 – General Safety Precautions	13
2.1 Electrocuting hazards	13
2.1-1 <i>Minimum distance from electrical conductors</i>	13
2.2 Safety instructions	14
2.3 Fall protection	17
2.4 Worksite inspection	17
Section 3 – Familiarization	19
3.1 Overview of the MEWP	20
3.2 Manual storage box	21
3.3 Control functions	21
3.3-1 <i>Main power disconnect switch</i>	21
3.3-2 <i>Base control console</i>	21
3.3-3 <i>Platform control console</i>	22
3.4 Features and Devices	23
3.4-1 <i>Lowered travel position and elevated travel position</i>	23
3.4-2 <i>Drive speed</i>	23
3.4-3 <i>Tilt switch</i>	23
3.4-4 <i>Brake release system</i>	24
3.4-5 <i>Emergency-lowering system</i>	24

3.4-6	<i>Fall-protection anchorage</i>	24
3.4-7	<i>Anti-static strip</i>	24
3.4-8	<i>Platform load-sensing system</i>	25
3.4-9	<i>Pothole protection device</i>	25
3.4-10	<i>Maintenance support</i>	25
3.5	General components	26
3.5-1	<i>Battery charger</i>	26
3.5-2	<i>Folding-guardrail system</i>	26
3.5-3	<i>Extension platform</i>	26
3.5-4	<i>Display panel</i>	27
3.6	Optional equipment	27
3.6-1	<i>Dual Flashing Lights</i>	27
3.6-2	<i>AC power outlet on the platform</i>	27
3.6-3	<i>Secondary Guarding Lift Enable (SGLE) push-button</i>	28
3.6-4	<i>White Noise Alarm</i>	28
3.6-5	<i>Elevate™ telematics access control unit</i>	29
3.6-6	<i>ECOTray Leak Containment System</i>	30
Section 4 – Inspections Before Operation		31
4.1	Operator’s Responsibility	31
4.2	Visual and daily maintenance inspections	32
4.2-1	<i>Labels</i>	32
4.2-2	<i>Pothole protection limit switches</i>	32
4.2-3	<i>Electrical</i>	32
4.2-4	<i>Hydraulic</i>	32
4.2-5	<i>Wheel/tire assembly</i>	33
4.2-6	<i>Rear</i>	34
4.2-7	<i>Battery tray</i>	35
4.2-8	<i>Front</i>	36
4.2-9	<i>Hydraulic and electric tray</i>	37
4.2-10	<i>Platform assembly</i>	38
4.2-11	<i>Lift mechanism</i>	39
4.3	Function Tests	40
4.3-1	<i>MEWP controls</i>	41
4.4	Operator’s Checklist	47
Section 5 – Operation		49
5.1	Energize the base control console	49
5.2	Raise or lower the platform with the base control console	49
5.3	Energize the platform control console	50
5.4	Raise or lower the platform with the platform control console	50
5.5	Raise and lower with the SGLE platform control console (optional equipment)	51
5.6	Drive forward or rearward	51

5.7	Steer	52
5.8	Select the low-speed or high-speed mode	52
5.9	Extend/retract the extension platform	53
5.9-1	Extend/retract the extension platform manually	53
5.9-2	Extend/retract the extension platform with the power deck (optional equipment for SJ3220 E)	53
5.10	MEWP shutdown	54
Section 6 – Procedures		55
6.1	Use the emergency-lowering function	55
6.2	Release the brakes manually	55
6.3	Winch and tow the MEWP	56
6.4	Use the platform control console from the ground	57
6.4-1	Disconnect and remove the platform control console	57
6.4-2	Operate the MEWP from the ground	57
6.5	Move the MEWP for transport	59
6.5-1	Hoist the MEWP	59
6.5-2	Drive and tie down the MEWP	60
6.6	Charge the Battery	61
6.7	Use the Maintenance Support	62
6.7-1	Deploy the maintenance support	63
6.7-2	Store the maintenance support	63
6.8	Guardrail lock-pin locations	64
6.9	Fold the guardrails	68
6.10	Fold the Rapidfold guardrail system	76
6.11	Fold the guardrail system (SJ4740 E)	81
6.12	Move the MEWP through a doorway	91
Section 7 – Specifications		93
7.1	Standard and optional equipment	93
7.2	Owner’s Annual Inspection Record	94
7.3	Specifications	95
7.4	Environment	96
7.5	Maximum Platform Capacities	97
7.6	Floor Loading Pressure	98
Section 8 – Labels		99
8.1	Base control console	100
8.2	Platform control console	101
8.3	Dual height control console label (SJ3226 E and SJ4740 E, If Equipped)	102
8.4	Power deck control console label (SJ3220 E), if equipped	103
8.5	Rear	104
8.6	Left side	108
8.7	Platform	111
8.8	Front	115

8.9	Top	116
8.10	Right side	118
8.11	Battery tray	121
8.12	Hydraulic tray	122
8.13	Display panel	123
8.14	RapidFold guardrail labels (SJ3219 E)	124
Section 9 – Unique Skyjack Features		125

Section 1 – About this Mobile Elevating Work Platform (MEWP)

1.1 Read and Heed

Skyjack is continuously improving and expanding product features on its equipment; therefore, specifications and dimensions are subject to change without notice.

1.1-1 Mobile Elevating Work Platform (MEWP) definition

A MEWP is a mobile machine intended for moving persons, tools, and material to working positions. It consists of a work platform with controls, an extending structure, and a chassis.

1.1-2 Purpose of equipment

Skyjack DC Electric Scissor lifts are designed to move personnel, tools, and materials to working positions.

1.1-3 Use of equipment

The MEWP is a highly maneuverable mobile work station. Only elevate the platform, or drive while elevated on a firm, level surface.

1.1-4 Operation manual

The operation manual is an essential part of the MEWP. It is important to always keep a copy of this manual in the weather-resistant manual storage box of the MEWP. The manual must be in good condition.

1.1-5 Operator

Before the operator operates the MEWP, they must read and completely understand this information:

1. The full contents of the operation manual, including the operating procedures, the MEWP limitations, the responsibilities of the operator for the operation and applicable maintenance, warnings and safety instructions.
2. The safety panel label on the platform, the labels on the MEWP and the attachments.

Compare the labels on the MEWP with the labels in this manual. Immediately replace any labels that are damaged or missing.

Only trained and authorized personnel are permitted to operate a MEWP.

The operator must be familiar with the employer's work rules and related government regulations.

1.1-6 Service policy and warranty

Skyjack warrants each new product to be free of defective parts and workmanship for the first 2 years. Your local Skyjack dealer will replace or repair any defective part, with no charge for parts or labour. In addition, all products have a 5-year structural warranty. Contact the Skyjack service department for warranty statement extensions or exclusions.

1.1-7 Ownership of Machine

Keep Skyjack up to date with the current owner's contact information, including when you sell or transfer the ownership of the MEWP.

Skyjack needs this information to tell the owner about any updates or necessary additional activities that will keep the machine working correctly.

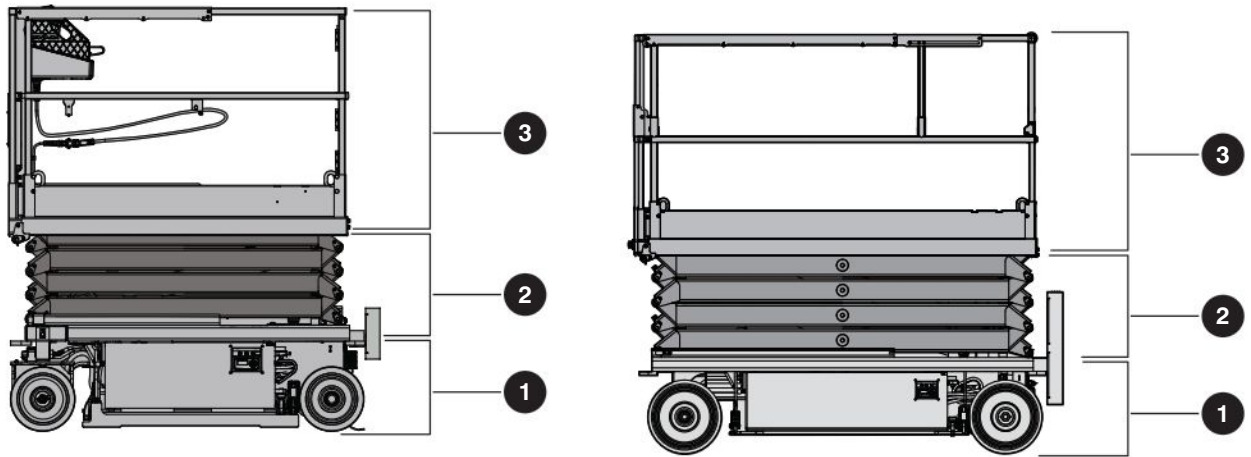
1.1-8 Optional Accessories

This MEWP accepts a variety of optional equipment. Refer to [Section 7.1](#) for a list of the optional accessories.

For components or systems that are not standard, speak to the Skyjack service department. Give the model and serial number for each applicable MEWP.

1.1-9 Scope of this Manual

1. This manual applies to the ANSI/CSA version of the SJ DC Electric Scissors series.
 - Equipment identified with ANSI/CSA meets the requirements of ANSI SAIA A92.20-2021 and CSA B354.6:2017 standards.
 - Operators are required to conform to national, state or territorial/provincial and local health and safety regulations applicable to the operation of this MEWP.



1.2 Primary assemblies

The MEWP has these primary assemblies:

1. Base
2. Lift mechanism
3. Platform.

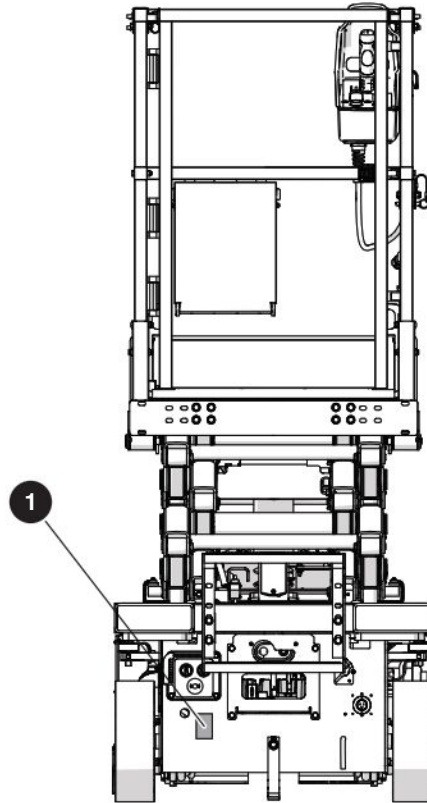
1 Base: The base has these parts:

- Two trays which contain:
 - Hydraulic system and components
 - Electric system and components
 - Four batteries
- Emergency-lowering system on the entrance side of the MEWP.
- Base controls.
- For models SJ3215 E, SJ3219 E:
 - Front wheels:
 - are steered by a hydraulic cylinder.
 - are driven by two electric motors.
 - have spring-applied, electrically-released brakes.
 - The rear wheels are non-driving.
- For models SJ3220 E, SJ3226 E, SJ4726 E, SJ4732 E and SJ4740 E:
 - Rear wheels:
 - are driven by two electric motors.
 - have spring-applied, electrically-released brakes.
 - The front wheels are steered by a hydraulic cylinder.

- ### 2 Lift mechanism: The lift mechanism is a scissor-type assembly. The scissor and the platform are raised and lowered by single-acting hydraulic lift cylinder with holding valves.

3 Platform: The platform has these parts:

- Tubular support frame.
- Slip-resistant “diamond plate” deck surface.
- Tubular guardrails, with mid-rails and toe boards.
- Spring-returned gate with a latch.
- Platform controls.
- Weather-resistant manual storage box containing important information for the MEWP.
- Front extension platform.
- Optional AC power outlet.

Rear view

SJ3219 E

1.3 Serial number nameplate

The **serial number nameplate** ① is located at the rear of the MEWP. It contains this information:

- Model number
- Type
- Group
- Serial number
- Indoor or outdoor use
- Capacity and maximum number of persons
- Voltage
- Maximum drive height
- Maximum platform height
- Maximum wind speed
- Maximum manual force
- Model year
- MEWP weight
- System pressure
- Maximum incline
- QR Code

1.4 Maintenance responsibility

1.4-1 Operator

Before each shift starts, do all the daily inspections and function tests. Refer to [Section 4](#).

1.4-2 Maintenance and inspection schedule

Refer to the service manual for the frequent, periodic, and annual inspections.

The actual operating environment of the MEWP may affect the maintenance schedule.

IMPORTANT

Only use original or manufacturer-approved parts for the MEWP.

NOTE

Refer to the Skyjack website (www.skyjack.com) for machine registration and latest service bulletins before you do frequent, periodic or annual inspections.

1.4-3 Owner

The owner is responsible for the maintenance inspections and repairs. Refer to the service manual for the maintenance instructions, the recommended intervals and inspection areas. Keep a record of the annual inspection on the label on the scissor assembly (refer to [Section 7.2](#)).

WARNING

Only trained, qualified, and competent personnel who understand the mechanical procedures may do maintenance on the MEWP. The use of a MEWP that is not correctly maintained or in the correct working condition could result in death or serious injury.

Section 2 – General Safety Precautions

WARNING

Failure to obey the instructions and precautions in this manual could result in MEWP damage, property damage, personal injury, or death.

It is mandatory that you use this MEWP correctly. Read this manual and make sure you fully understand it before you operate the MEWP.

Use personal protective equipment (PPE) to protect your eyes, ears, hands, feet, and body when you do work on or near machinery.

Any modifications to the MEWP must have written permission from Skyjack.

WARNING

Do not operate the MEWP if:

- It does not operate correctly
- It is damaged or shows worn or missing parts
- The safety devices are tampered with or disabled
- It is locked and tagged for servicing or repair
- It was modified without permission from Skyjack and the MEWP owner

If you do not obey, there is a risk of death or serious injury.

2.1 Electrocuting hazards

The MEWP is not electrically insulated and does not provide protection if it is near or in contact with energized electrical conductors. Refer to [Section 2.1-1](#) for the minimum distance to keep between all parts of the MEWP, occupants, or tools, and the electrical conductors. Consider MEWP movement and electrical line sway in minimum distance calculations.

If you need to work nearer than 3 m (10 ft), stop and apply control measures for electrical transmission and distribution as determined by a qualified person.

Obey all the national, state/provincial/territorial and local safety rules.

2.1-1 Minimum distance from electrical conductors

Voltage Range	Minimum Distance from Electrical Conductors
≤ 50 KVA	3 m (10 ft)
> 50 KVA, or if not known	STOP and apply control measures for electrical transmission and distribution as determined by a qualified person.

DANGER

Electrocution hazard. Keep all parts of the MEWP, occupants, and tools a safe distance away from power lines, electrical power sources, or energized sources. If you do not obey, there is a risk of death or serious injury.



Keep a minimum safe distance from sources of high-voltage power.



DO NOT operate the MEWP during lightning or storms.

CAUTION

DO NOT use the MEWP as a ground for welding. If you do not obey, there is a risk of minor or moderate injury, or malfunction or damage to the MEWP.

2.2 Safety instructions

WARNING

DO NOT operate this MEWP without the correct training and authorization. If you do not obey, there is a risk of death or serious injury.

WARNING

DO NOT operate this MEWP in closed areas without sufficient airflow for exhaust gas and fumes. If you do not obey, there is a risk of death or serious injury.

WARNING

Failure to heed the following safety precautions could result in tip-over, falling, crushing, or other hazards leading to death or serious injury.

KNOW all national, state/provincial or territorial, and local rules which apply to your MEWP and worksite.

MAKE SURE all the safety and instructional labels are correctly attached on the MEWP in the correct location. Clean or replace the labels that you cannot read.

PREVENT unauthorized use. Disconnect and lock out the main power disconnect switch on the right side of the MEWP when leaving the MEWP unattended.



DO NOT wear jewelry or loose clothing that could become caught or entangled.



DO NOT allow the entanglement of ropes, cables or hoses with the MEWP, adjacent structures or objects.



PREVENT falls from the platform. Always keep a firm footing on the platform floor when working on it. Do not climb on the toe-board, mid-rail, or top-rail. Do not use planks, ladders, or any other devices on the platform to get more height or reach.



DO NOT raise the platform or operate elevated in windy or gusty conditions that exceed the limits specified in [Section 7.5](#).



DO NOT increase the surface area of the platform or carry large surface area items when exposed to wind. Increasing the area exposed to the wind decreases the MEWP stability.



DO NOT elevate or drive elevated on a slope. Elevated driving must be done on a firm, level surface.



DO NOT drive elevated on a soft or uneven surface.

DO NOT raise the platform if it is not on a firm, level surface.

MAKE SURE the ground condition assessment considers subsurface voids such as cellars, basements, culverts, and pipes.



DO NOT drive elevated near depressions or holes of any type, loading docks, debris, drop-offs or surfaces that may affect the stability of the MEWP.

IF OPERATION IN AREAS WITH HOLES OR DROP-OFFS IS ABSOLUTELY NECESSARY, elevated driving is not allowed. Position the MEWP horizontally only with the platform fully lowered. After you make sure that all four wheels have contact with a firm, level surface, you can raise the platform. After elevation, the drive function must not be activated.

DO NOT ascend or descend grades greater than the maximum inclines listed in [Section 7.3](#). Ascending or descending slopes must only be done when fully lowered.



DO NOT operate a MEWP that has ladders, scaffolding, or other devices on it to increase the platform size or work height.



DO NOT exceed the maximum side force shown on the capacity label when the platform is elevated. Refer to [Section 7.5](#).



DO NOT use the MEWP as a crane.



DO NOT sit, stand, or climb on the guardrails.



DO NOT climb on the scissor arm assembly.



DO NOT collide with or crush the MEWP against any obstructions, personnel, or other possible hazards when elevating, lowering, or driving. Keep all body parts inside the platform when elevating or driving. Be aware of blind spots when operating the MEWP.



DO NOT elevate the platform when the MEWP is on a truck, forklift, or other device or vehicle.



DO NOT use the MEWP when the wheels or tires are damaged. Make sure the wheel nuts and cotter pins are in place. Refer to [Section 4.2-5](#).



DO NOT alter or disable limit switches or other safety devices.



DO NOT use the MEWP without guardrails, lock pins, and the entry gate(s) in place.



DO NOT use the MEWP while under the influence of alcohol or drugs, or if the operator's performance is impaired by a medical condition, the influence of prescription or over-the-counter drugs, or fatigue.



DO NOT exceed the rated capacity of the MEWP.



DO NOT distribute the load unevenly.



DO NOT use the MEWP if it does not function correctly or if any parts are damaged or worn.



DO NOT leave the MEWP unattended with the key in the key switch.

DO NOT operate on slippery surfaces without sufficient traction to stop, drive, or steer the MEWP.

STUNT driving and horseplay are prohibited.

DO NOT position the MEWP against another object to steady the platform.

DO NOT place materials on the guardrails or materials that exceed the confines of the guardrails unless approved by Skyjack.

Remove all personnel from the platform before you try to free a snagged platform with the base controls.

2.3 Fall protection

The guardrail system is the primary fall protection system of the MEWP platform.

If personal fall-protection equipment (PFPE) is required by an employer or the authority having jurisdiction, Skyjack recommends the use of a full body harness with a lanyard. The PFPE must be attached only to the approved fall-protection anchorage points in the platform.

All PFPE must be compliant with the applicable government rules and must be inspected as per the manufacturer's recommendation.

Use the three points of contact principle when you enter or exit the platform. This is when two hands and one foot or one hand and two feet are in contact with the MEWP or the ground at all times. Face the MEWP when entering or exiting the platform.

WARNING

Fall hazard.

- **Only enter and exit the MEWP using the three points of contact principle.**
- **Only use the equipped access openings.**
- **Only enter and exit the MEWP from the ground, when the platform is fully lowered.**
- **Face the MEWP when entering or exiting the platform.**

Failure to follow these instructions could result in death or serious injury.

2.4 Worksite inspection

Make sure the operating environment, ambient temperature, electromagnetic compatibility (EMC), and hazardous location rating (locations with potentially flammable gases, explosive gases or particles) are appropriate for the MEWP specifications. Refer to [Section 7.3](#).

Be sure to follow all national, state/provincial/territorial, and local rules that relate to operating the MEWP.

Perform a full worksite inspection before operating the MEWP. Identify potential hazards in the area.

Be aware of moving equipment in the area. Take the necessary precautions to prevent collisions.

It is the responsibility of the operator to do a worksite inspection and avoid or address the following hazards:

- Holes or drop-offs
- Slopes
- Ditches or soft fills
- Floor obstructions, bumps, or debris
- Overhead obstructions
- Electrical conductors
- Hazardous locations
- Inadequate surface support to withstand all load forces imposed by the MEWP. Refer to [Section 7.6](#).
- Wind and weather conditions
- Presence of personnel
- Other mobile equipment
- Traffic hazards
- Equipment that could move and collide with the MEWP, such as overhead cranes
- Other possible unsafe conditions.

Section 3 – Familiarization

WARNING

Do not operate this MEWP without correct training and authorization. If you do not obey, there is a risk of death or serious injury.

WARNING

MEWP familiarization must be given to a qualified operator. If you do not obey, there is a risk of death or serious injury.

WARNING

It is the responsibility of the operator to fully understand and follow all instructions and warnings contained in this operation manual and on the MEWP. If you do not obey, there is a risk of death or serious injury.

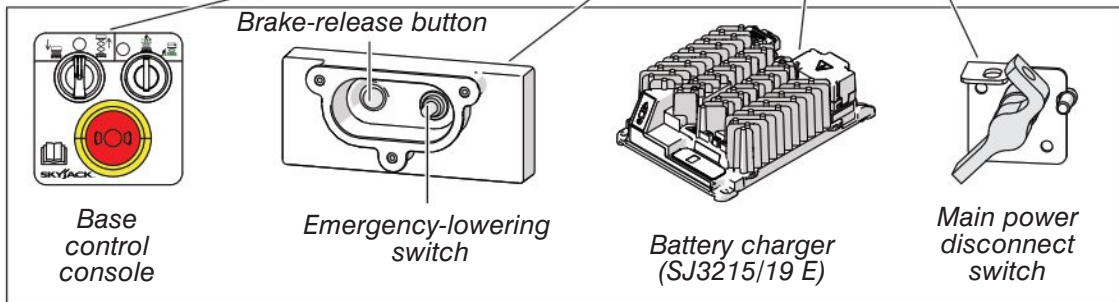
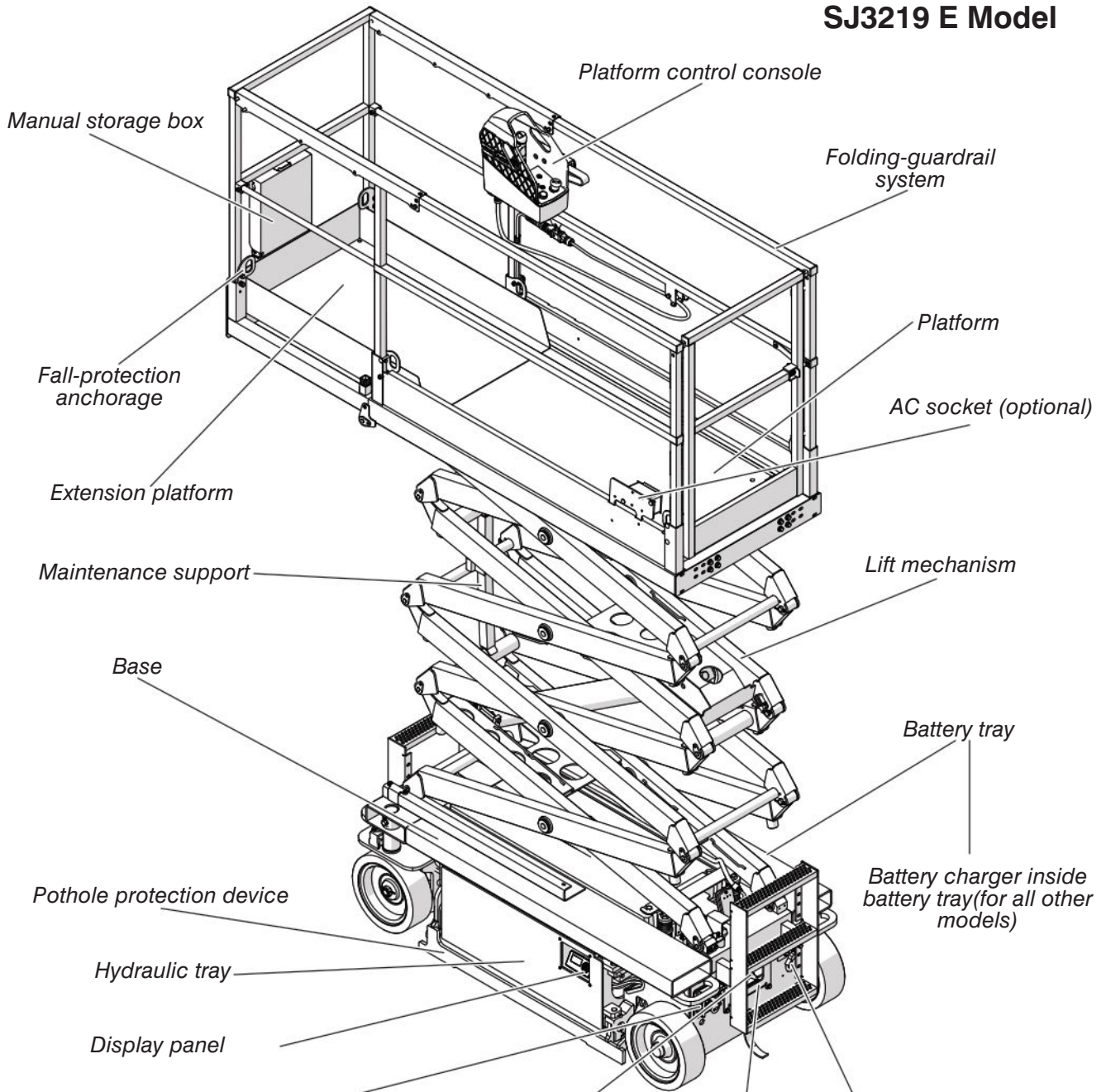
Read and fully understand the operation manual, all the warnings, and the instruction labels (refer to [Section 8](#)) on the MEWP.

Do these tasks before the operation:

1. Worksite inspection. Refer to [Section 2.4](#).
2. Daily visual and maintenance inspections. Refer to [Section 4.2](#).
3. Function tests. Refer to [Section 4.3](#).

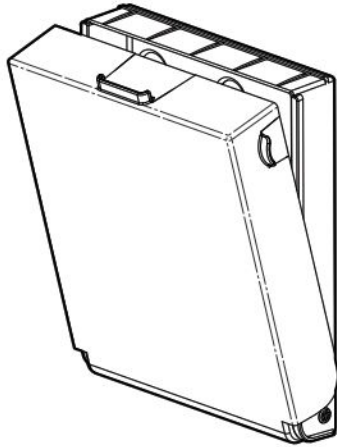
3.1 Overview of the MEWP

SJ3219 E Model



3.2 Manual storage box

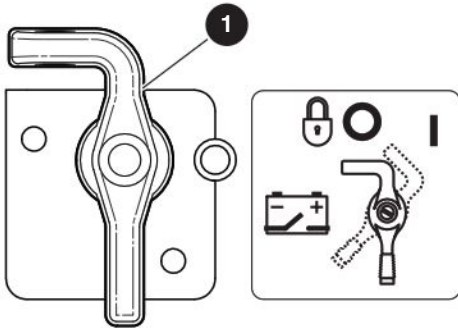
The manual storage box is weather-resistant. It contains the operation manual and other important documents. You must keep these documents in this box. Refer to [Section 3.1](#) for the location of the manual storage box.



3.3 Control functions

3.3-1 Main power disconnect switch

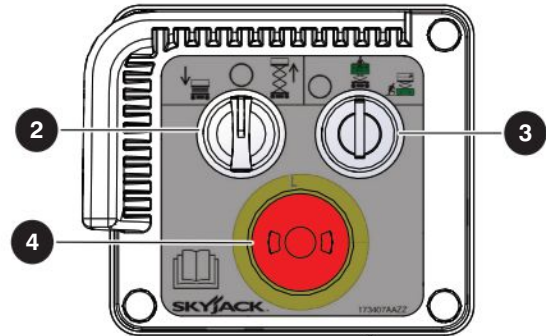
Refer to [Section 3.1](#) for the location of the main power disconnect switch.



- 1 **Main power disconnect:** This switch disconnects power to all control circuits when in the off position. The switch must be in the on position to operate the MEWP. The switch must be in the off position when you transport the MEWP or put it in storage.

3.3-2 Base control console

Refer to [Section 3.1](#) for the location of the base control console.

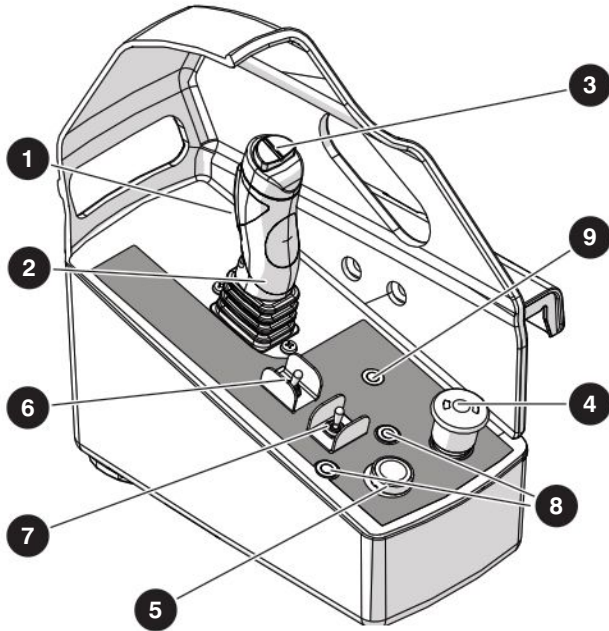


- 2 **Lower/off/raise:** This switch controls the platform raise or lower function.
- 3 **Off/platform/base key:** With this three-way switch, you can:
 - Turn off the power to the MEWP controls.
 - Energize the platform controls.
 - Energize the base controls.
- 4 **Emergency-stop:** This button disconnects power to the control circuit. Pull it to connect the power again.

3.3-3 Platform control console

Use this control console to operate the MEWP from the platform or the ground. To operate the MEWP from a position on the ground, refer to [Section 6.4](#).

Refer to [Section 3.1](#) for the location of the platform control console.



- 1 **Lift/drive/steer function-enable switch:** This trigger switch energizes the controller handle. Squeeze and hold the switch continuously to engage the lift, drive, and steer functions.
- 2 **Lift/drive controller:** This one-hand lever controls the lift and drive movements. Release the controller to return it to its neutral position.
- 3 **Steering rocker switch:** This switch controls the left and right steering. Release the switch to return it to the neutral position.
- 4 **Emergency-stop/operation light/overload light:** This button disconnects the power to the control circuit.
 - When the light is on continuously, the platform controls are available.
 - When the light flashes, there is an overload. Refer to [Section 3.4-8](#).
- 5 **Horn:** This push-button makes a sound like a car horn.
- 6 **High speed/low speed drive switch:** This switch selects the low speed, or high speed.

- 7 **Lift/off/drive switch:** This switch has three modes.
 - The off position disconnects the power to both the lift and drive circuits.
 - The lift position energizes the lift circuit.
 - The drive position energizes the drive circuit.
- 8 **Lift or drive function indicator light:** The green light turns on to indicate the lift or drive function is enabled. If the function-enable switch is not used within 10 seconds to engage the lift or drive functions, the power to both circuits disconnects.
- 9 **Charge status indicator:** This indicator shows the battery charge state.
 - The amber light on the indicator momentarily turns on when power connects to all control circuits.
 - The amber light flashes when the MEWP has a low battery level and needs to be charged.

3.4 Features and Devices

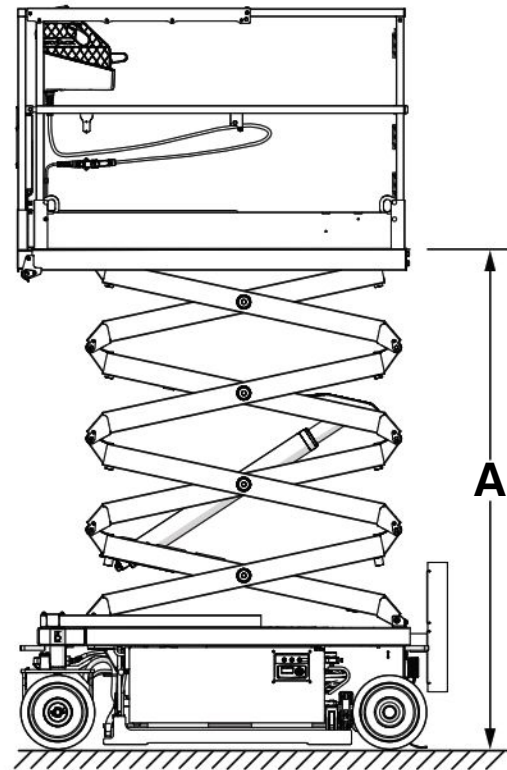
3.4-1 Lowered travel position and elevated travel position

The available MEWP functions depend on these factors:

- MEWP configuration (lowered travel position or elevated travel position)
- Chassis angle
- Platform load

The MEWP is in the lowered travel position when the platform is below height “A”.

The MEWP is in the elevated travel position when the platform is at or above height “A”.



Lowered and elevated travel position

Model	A - Height	Maximum drive height
SJ3215 E	< 1.37 m (4.5 ft)	Full height
SJ3219 E	< 1.68 m (5.5 ft)	Full height
SJ3220 E	<2.08 m (6 ft 10 in)	Full height
SJ3226 E	<2.08 m (6 ft 10 in)	Full height
SJ4726 E	<2.13 m (7 ft)	Full height
SJ4732 E	<2.44 m (8 ft)	Full height
SJ4740 E	<2.44 m (8 ft)	Full height

3.4-2 Drive speed

When the MEWP is in the elevated travel position, the speed is slower than when it is in the lowered travel position. Refer to [Section 7.3](#).

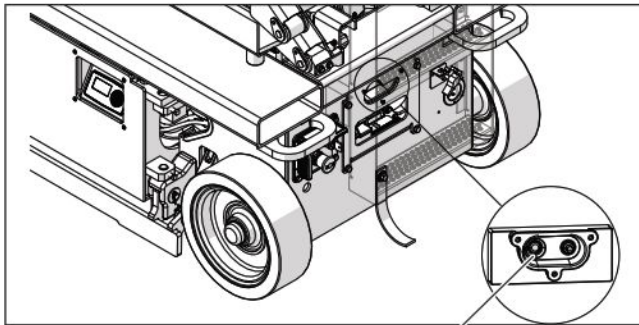
3.4-3 Tilt switch

This device senses when the MEWP has passed a predetermined angle in the longitudinal (front-to-back) or lateral (side-to-side) direction (refer to [Section 7.5](#)).

When the MEWP is in the elevated travel position, the tilt switch disables the drive and lift functions. An alarm makes a sound, and an amber light (if equipped) flashes on the bracket on the lower scissor arm and on the base. If the alarm makes a sound, fully lower the platform. Level the MEWP before you raise the platform.

3.4-4 Brake release system

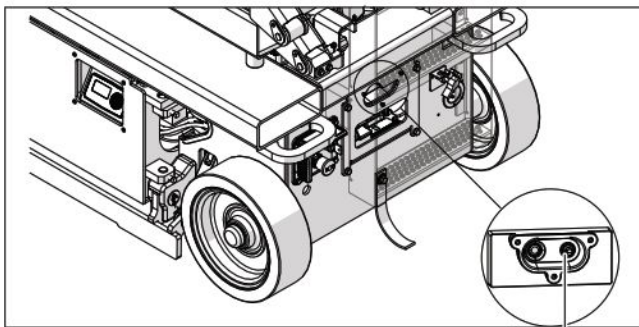
This system lets you disengage the brakes manually before you push, winch, or tow the MEWP. Refer to [Section 6.2](#) for the procedure.



1 Brake release button

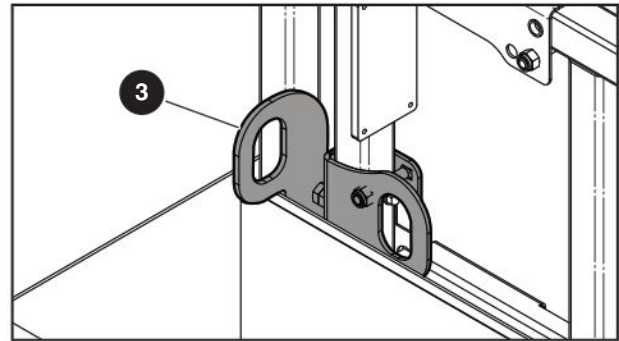
3.4-5 Emergency-lowering system

If there is a failure of the primary power, you can lower the platform with the emergency-lowering system. Refer to [Section 6.1](#) for the emergency-lowering procedure.



2 Emergency-lowering switch

3.4-6 Fall-protection anchorage



- 3 **Fall-protection anchorage:** When required, use this as a point to attach personal fall protection equipment (PFPE). Do not attach the PFPE to any other points on the platform. Do not use this anchorage to lift, anchor, attach, or hold the platform or other apparatuses or material.

⚠ WARNING

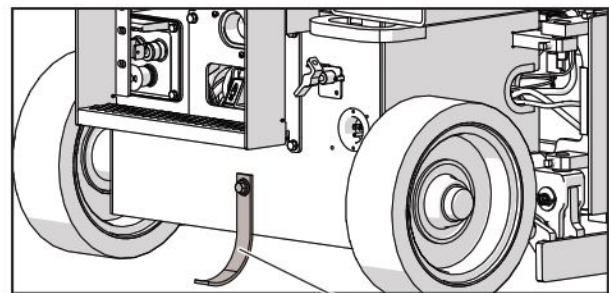
Only use the fall-protection anchorage in the limits of the platform. Do not use the fall-protection anchorage for any purpose other than its intended function. Refer to [Section 2.3](#). If you use it incorrectly, death, serious injury, and/or MEWP damage can occur.

3.4-7 Anti-static strip

The anti-static strip decreases the risk of an electrical shock.

⚠ WARNING

Electrical shock hazard. Do not touch or remove the anti-static strip from the MEWP. If you do not obey, there is a risk of minor or moderate injury, or malfunction or damage to the MEWP.



4 Anti-static strip

3.4-8 Platform load-sensing system

The platform load-sensing system prevents normal MEWP movement when the platform is overloaded and in a stationary position. Refer to [Section 7.5](#) for the platform capacities.

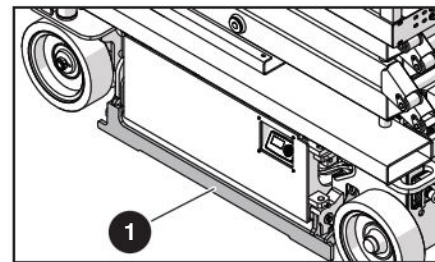
Load status	Result
The load on the platform is more than the rated load. All normal MEWP movement functions are unavailable except lowering.	<p>The lights on the emergency-stop buttons on the platform and base control consoles flash continuously.</p> <p>The alarm sounds continuously with an increased frequency.</p>

Remove the overload from the platform to continue the usual operation.

WARNING

Fall hazard. Do not try to use the base controls to free a snagged platform until you remove all personnel from the platform. If you do not obey, there is a risk of death or serious injury.

3.4-9 Pothole protection device



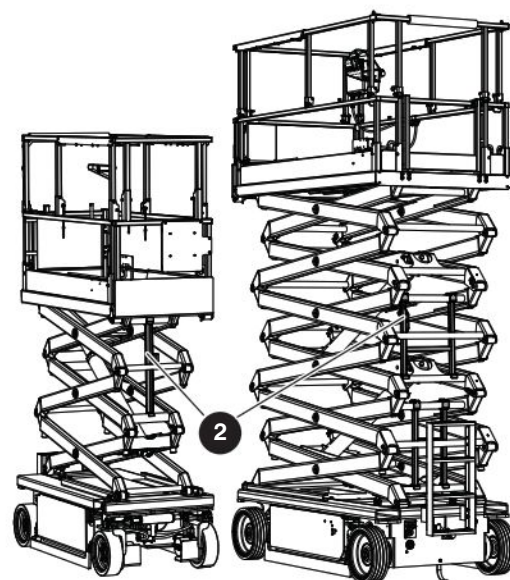
1 Pothole protection: This device consists of a pair of mechanically actuated guard bars located under the base. These guards automatically deploy to reduce the ground clearance when elevating the MEWP. If the pothole-protection device has not fully deployed when the MEWP is in the elevated travel position, the drive function will be disabled.

WARNING

Crush hazard. Personnel on the ground must stay away from the pothole protection device. If you do not obey, there is a risk of death or serious injury.

3.4-10 Maintenance support

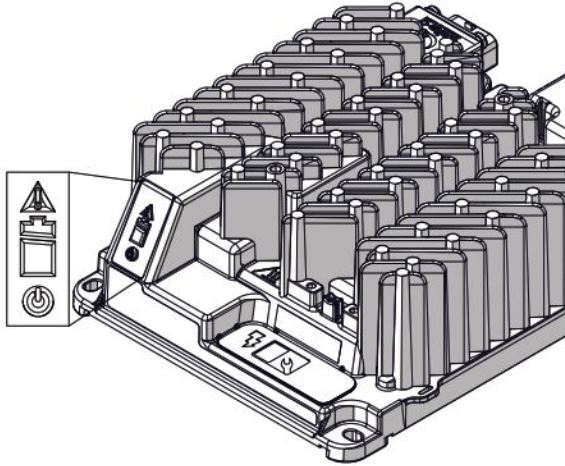
Use the **maintenance support** **2** when you do an inspection of the lift mechanism or do maintenance. Refer to [Section 6.7](#) for the procedure on how to use the maintenance support.



3.5 General components

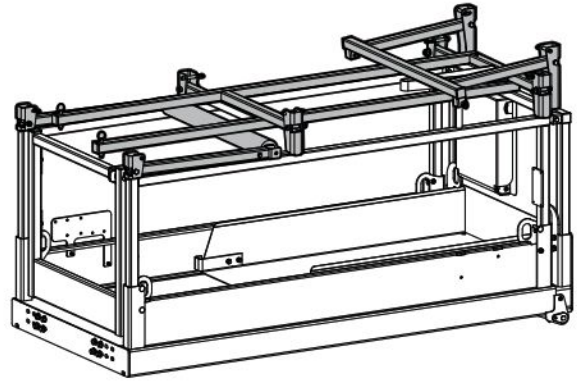
3.5-1 Battery charger

The charger is located at the rear of the base for SJ3215/19 E. The charger is located inside the battery tray for all other models. Refer to [Section 6.6](#) for the battery charger operation.



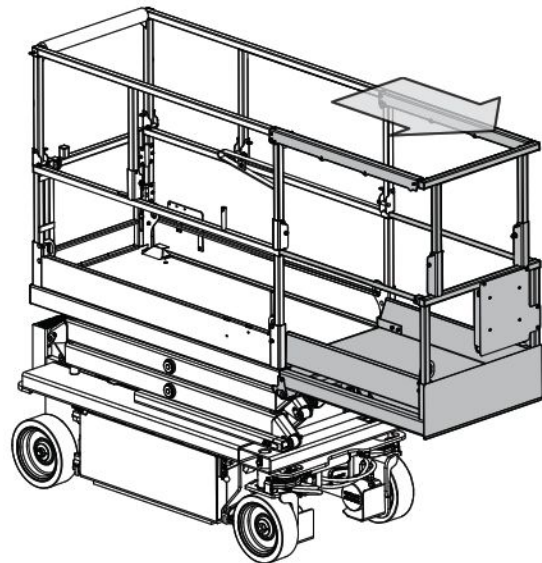
3.5-2 Folding-guardrail system

The folding-guardrail system (if equipped) lets you fold the guardrails on the platform to decrease the height of a fully retracted MEWP. Refer to [Section 6.9](#) for the procedure on how to fold the guardrails. Refer to [Section 6.10](#) for the rapidfold guardrail procedure.



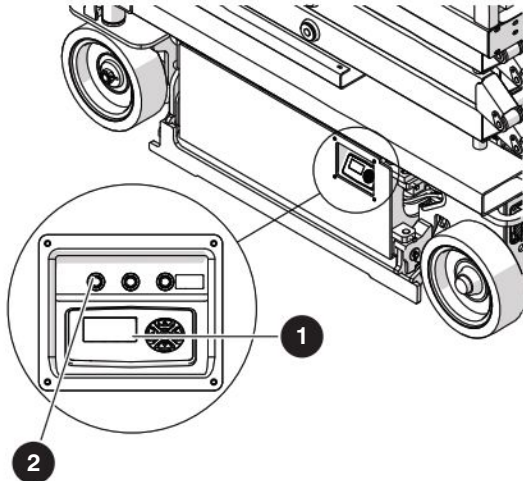
3.5-3 Extension platform

The extension platform extends or retracts when you push or pull the extension handrails. Refer to [Section 5.9](#) for the procedure.



3.5-4 Display panel

This display panel, located outside the hydraulic tray, shows operation and parameter information. Examples are the hours of operation, tilt angle, and error codes. It is also used to troubleshoot the MEWP.



1 Display panel

2 **Circuit breaker:** If a power overload or positive circuit grounding occurs, the circuit breaker opens. Push the **circuit breaker** to reset the circuit.

3.6 Optional equipment

⚠ CAUTION

Skyjack-approved modifications and attachments can change the MEWP specifications. Refer to the applicable instructions and labels.

IMPORTANT

Refer to the labels of the optional equipment for the actual weight. Include this weight to calculate the total load on the platform. Include personnel and other materials in the total load.

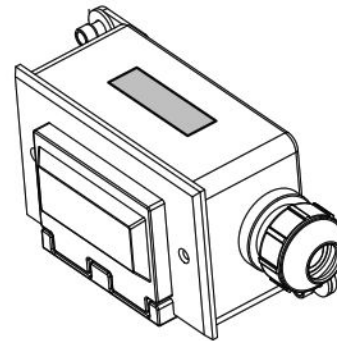
The weight of the attached parts, panels, occupants, and tools put together must not be more than the rated platform capacity.

3.6-1 Dual Flashing Lights

The flashing lights are attached to the base or scissor and flash when a drive or lift function is enabled or when the MEWP is overloaded.

3.6-2 AC power outlet on the platform

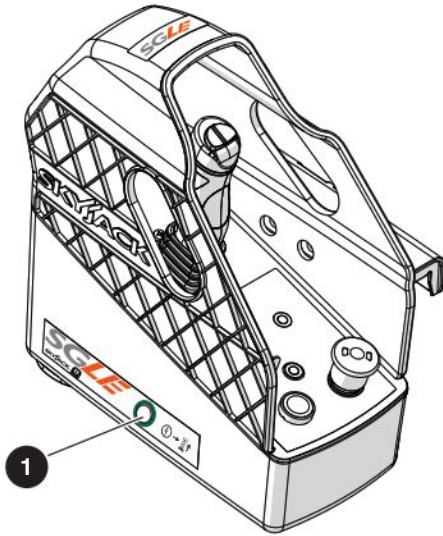
The AC power outlet is a source of AC power on the platform when the plug at the base is connected to an inverter or an external power supply.



⚠ WARNING

Do not use AC power on the platform when in hazardous areas.

3.6-3 Secondary Guarding Lift Enable (SGLE) push-button



- 1 **SGLE:** This push-button energizes the lift function. Hold the button down together with the function-enable switch to enable the lift function from the platform.

3.6-4 White Noise Alarm

The white noise alarm (if equipped) makes a whooshing sound when a MEWP is operated. On some MEWPs an amber flashing light goes with this alarm.

3.6-5 Elevate™ telematics access control unit

Access control is an added function of the Elevate™ telematics. The owner can control access to MEWP operation with this function. An Elevate™ telematics device and an access control unit keypad are necessary for this function.

The access control function does not have an effect on: emergency-lowering, load sensing, the horn, and when you lower the platform. These functions are always available. The access control unit does not allow the MEWP to operate without an approved code or card.

The MEWP owner supplies PIN codes or Smart ID cards to the operator to unlock and start the MEWP.

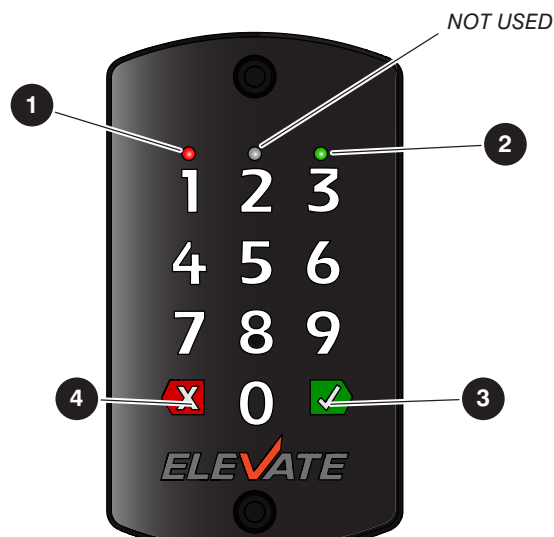
The owner also sets the timeout limits for the Elevate™ telematics access control unit.

IMPORTANT

Skyjack does not supply or reset PIN codes or Smart ID cards or set timeout limits. If there are problems with the access control unit or its operation, speak to the MEWP owner.

With the Trackunit Manager, the MEWP owner can customize the access control to the MEWP (<https://www.trackunit.com/services/manager/>).

The touch-sensitive keypad beeps to identify an input. Press the buttons to enter the pincode.



Keypad of the access control unit

- 1 **Orange indicator:** This light shows that the access control unit is on. The keypad always has power regardless of the emergency-stop, off/platform/base key switch, or main power disconnect position.
- 2 **Green/red indicator:** A green light shows that the access control unit is in operation. A red light that flashes shows that the keypad received a cancel input.
- 3 **Checkmark button:** Press this button after you enter a PIN code.
- 4 **Cancel button:** If you push an incorrect button when you enter the PIN code, push the cancel button to start again.

Operation

To operate a MEWP with an Elevate™ telematics access control unit:

1. Make sure the orange light on the keypad is on.
2. Turn these power connections on, if they are not already on:
 - The **main power disconnect** switch
 - The **emergency-stop button** on the base control console
 - The **off/platform/base key** switch.
3. Enter the keypad PIN code or tap the Smart ID card provided by the MEWP owner. Use one or the other, not both.

IMPORTANT

If the set time of the access control unit expires, enter the PIN code or tap the card again.

- Enter the PIN code on the **keypad** and press the **checkmark** button.

Result: The orange light changes to green to indicate an approved ID.

OR

- Hold the **Smart ID card** in front of the keypad.

Result: A beep identifies that the reader read the card. The green light identifies an approved ID.

4. Operate the MEWP.

Function Tests

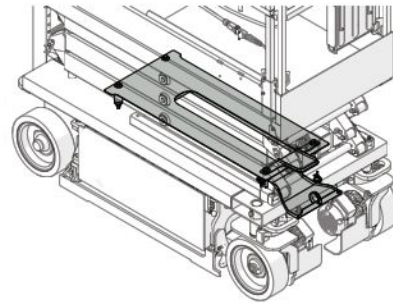
Do the function tests as specified in [Section 4.3](#).

When you do the function tests, make sure that the green light on the keypad is ON. This light confirms that the access control unit is in operation. Do the function tests for these power connections in the set time:

- The main power disconnect switch
- The emergency-stop button on the base control console
- The off/platform/base key switch.

3.6-6 ECOTray Leak Containment System

The ECOTray system prevents potential hydraulic leaks from dripping onto floors and internal components.



Section 4 – Inspections Before Operation

4.1 Operator's Responsibility

Do these tasks before each work shift in this sequence:

1. **Visual and daily maintenance inspections**
(refer to [Section 4.2](#)).

WARNING

Do an inspection on the MEWP for damage or loose or missing parts. If damage is found, lock and tag the MEWP and remove it from service. If you do not obey, there is a risk of death or serious injury.

2. **Function tests** (refer to [Section 4.3](#)).

Refer to [Section 4.4](#) for a checklist of the inspection items.

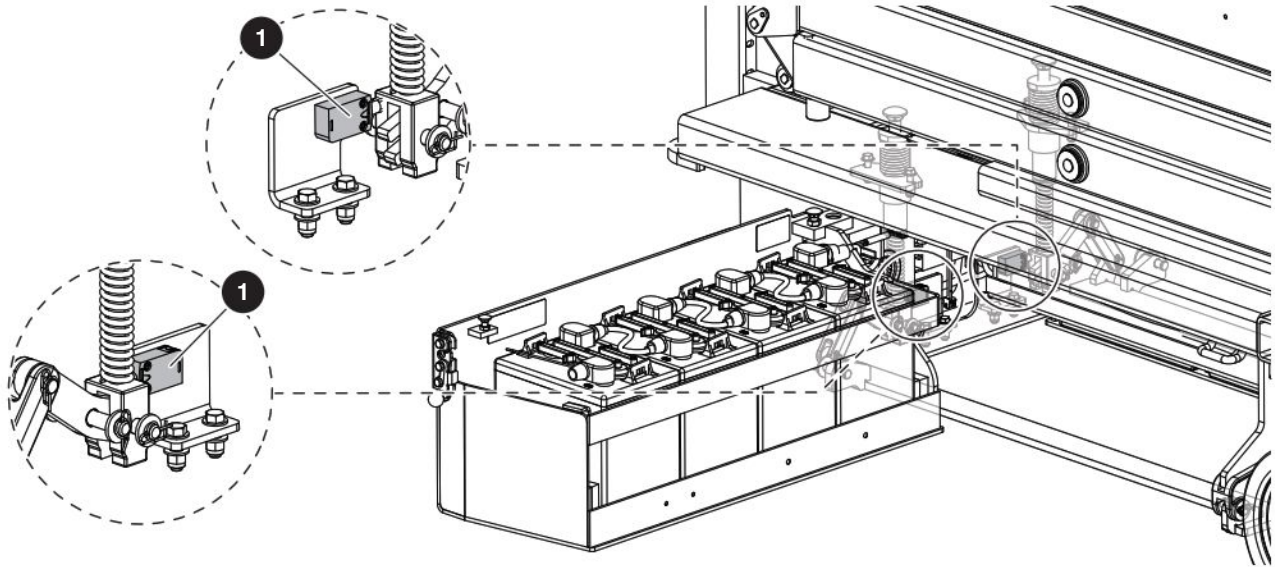
WARNING

If the MEWP is damaged, or has been modified from the initial factory-delivered condition without permission from Skyjack, lock and tag the MEWP. Remove the MEWP for servicing. If you do not obey, there is a risk of death or serious injury.

Repairs to the MEWP are tasks only for a qualified service technician.

Do the visual and daily maintenance inspections and function tests again after the repairs.

Scheduled maintenance inspections are tasks only for a qualified service technician.



4.2 Visual and daily maintenance inspections

Do an inspection of the MEWP in this sequence:

⚠ CAUTION

Make sure the MEWP is on a firm, level surface before you do the visual and daily maintenance inspections. If you do not obey, there is a risk of machine damage.

⚠ WARNING

Turn the main power disconnect switch to the off position before you do the visual and daily maintenance inspections. If you do not obey, there is a risk of death or serious injury.

⚠ WARNING

Do not operate a MEWP that does not function correctly. Lock and tag the MEWP, and remove it for servicing. Only a qualified service technician must repair the MEWP. If you do not obey, there is a risk of death or serious injury.

4.2-1 Labels

Refer to [Section 8](#) in this manual for the labels. Make sure all the labels are in the correct location, are in good condition, and you can read them.

4.2-2 Pothole protection limit switches

Make sure the **pothole protection limit switches** ① are correctly attached, there is no visible damage, and the movement is not blocked.

4.2-3 Electrical

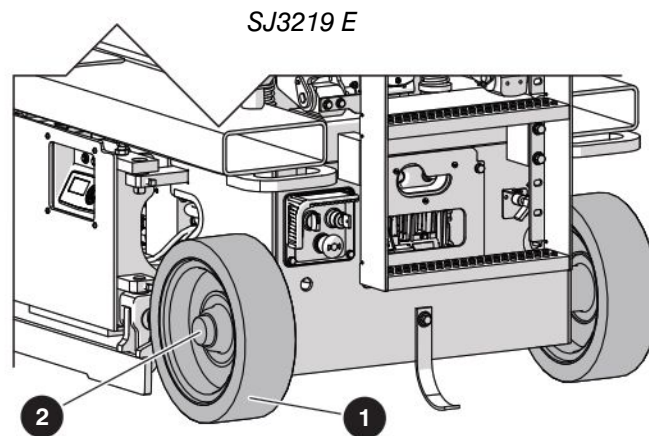
Do a check on these areas for chafed, corroded, and loose wires:

- Base to platform cables and wiring harness
- Battery tray wiring harnesses
- Hydraulic and electrical wiring harnesses.

4.2-4 Hydraulic

Do a check on these areas and make sure there are no signs of leakage:

- Hydraulic tank, filter, fittings, hoses
- All hydraulic cylinders
- All hydraulic manifolds
- The ground area below the MEWP.



4.2-5 Wheel/tire assembly

Do the inspection that follows:

1 Wheel/tire assembly

- Do a check on all the tire treads and sidewalls for cuts, cracks, and unusual wear.
- Do a check on each wheel for damage, and cracked welds.
- Make sure the wheels are correctly aligned vertically and horizontally.
- Make sure there is no visible damage.

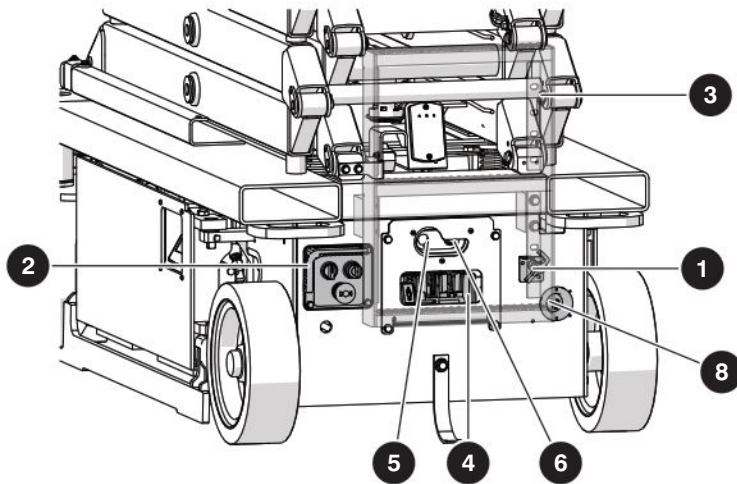
WARNING

Do not use tires other than the tires that Skyjack specifies for this MEWP. Do not mix different types of tires or use tires that are not in good condition. Only replace the tires with the same types that are approved by Skyjack. The use of other tires can make the MEWP less stable. If you do not obey, there is a risk of death or serious injury.

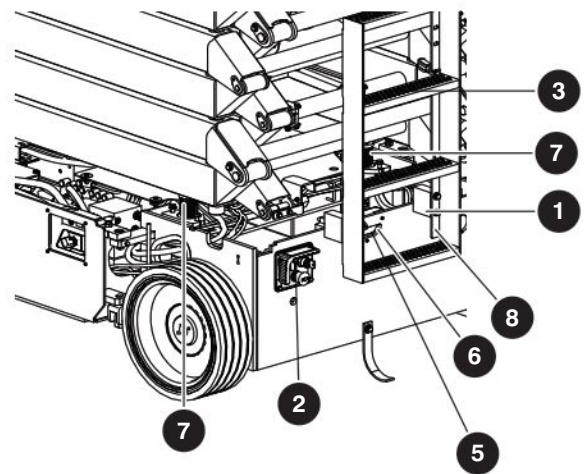
2 Wheel nuts

- Make sure the castle nut is in position and is tight.
- Make sure the cotter pin is correctly installed.

SJ3219 E



SJ4740 E



4.2-6 Rear

Do the inspection that follows:

1 Main power disconnect switch

- Turn the **main power disconnect** switch to the off position.
- Make sure the switch rotates and stays in the on and off positions.
- Make sure the cables are not loose.

2 Base controls

- Make sure there is no visible damage and all the switches are in their off/neutral positions.

3 Ladder

- Make sure there are no loose or missing parts.
- Make sure there is no visible damage.

4 Battery charger (SJ3215/19 E)

- Make sure the battery charger is correctly installed and in good condition.
- Make sure there is no visible damage.

5 Brake release switch

- Make sure there are no loose or missing fasteners.
- Make sure there is no visible damage.

6 Emergency-lowering switch

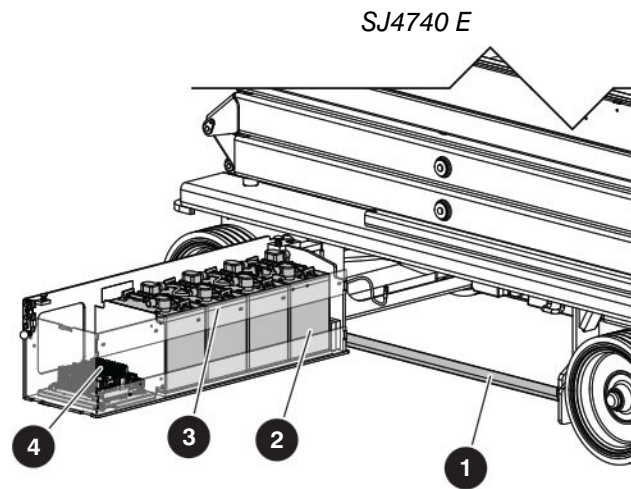
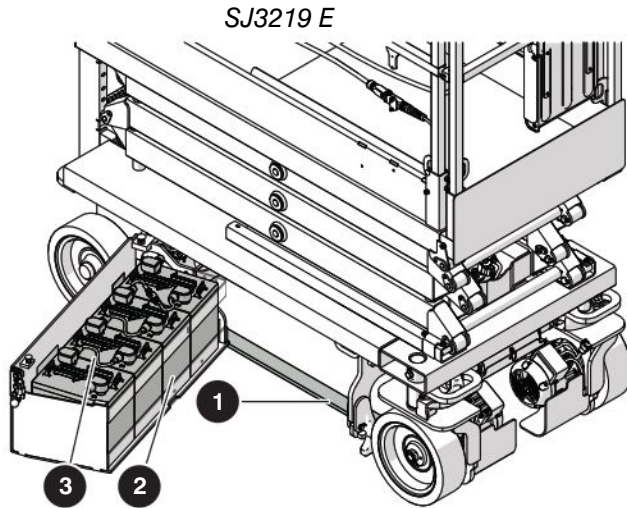
- Make sure there are no loose or missing fasteners.
- Make sure there is no visible damage.

7 Wheel/motor assembly (SJ3220 E, SJ3226 E, SJ4726 E, SJ4732 E AND SJ4740 E)

- Make sure there are no loose or missing fasteners.
- Make sure there is no visible damage.

8 AC power socket (optional)

- Make sure the socket is free of dirt or blockages.



4.2-7 Battery tray

Do the inspection that follows:

- ❶ **Pothole protection device**
 - Make sure there are no loose or missing parts.
 - Make sure there is no visible damage.
 - Make sure there is no dirt and blockages.
- ❷ **Battery tray**
 - Make sure the battery tray latches correctly and is in good condition.
- ❸ **Batteries**

⚠ WARNING

Explosion hazard. Keep flames and sparks away. Do not smoke near the batteries. Batteries release explosive gas while you charge them. Charge the batteries in a well-ventilated area. If you do not obey, there is a risk of death or serious injury.

⚠ WARNING

Corrosion hazard. Do not touch battery acid. Wear the correct PPE. If the battery acid touches you, immediately flush the area with cold water and get medical aid.

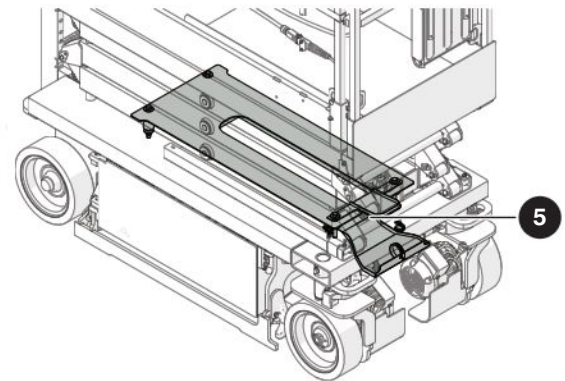
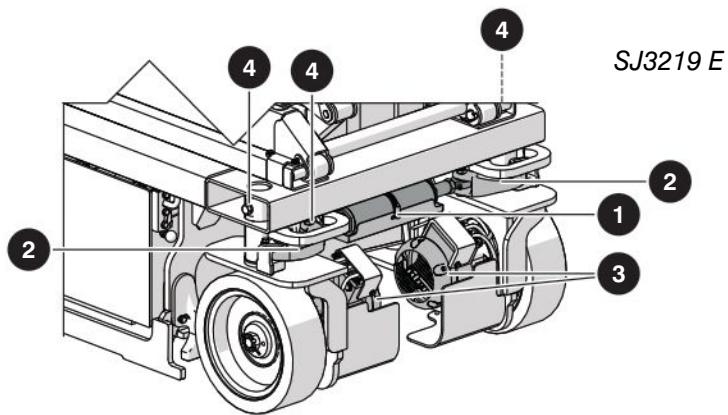
1. Do an inspection of the battery case for damage.
2. Make sure all the battery connections are tight.

3. If applicable, do a check on the battery fluid levels. If the plates do not have a minimum 13 mm (1/2 inch) of solution above them, add distilled or demineralized water.

⚠ WARNING

Only use original or manufacturer-approved parts and components for the MEWP. If you do not obey, there is a risk of death, serious injury, or machine damage.

- ❹ **Battery charger (SJ3220 E, SJ3226 E, SJ4726 E, SJ4732 E AND SJ4740 E)**
 - Make sure the battery charger is correctly installed and in good condition.
 - Make sure there is no visible damage.



4.2-8 Front

Do the inspection that follows:

NOTE

If necessary, open the battery and hydraulic trays to do an inspection of the steer components.

1 Steer cylinder assembly

- Make sure that the steer cylinder assembly is correctly installed.
- Make sure there are no loose or missing fasteners.
- Make sure there is no visible damage.

2 Steer linkages

- Make sure there are no loose or missing fasteners and lock pins.
- Make sure the steer linkages and bushings are correctly attached.
- Make sure there is no visible damage.

3 Wheel/motor assembly(SJ3215/19 E)

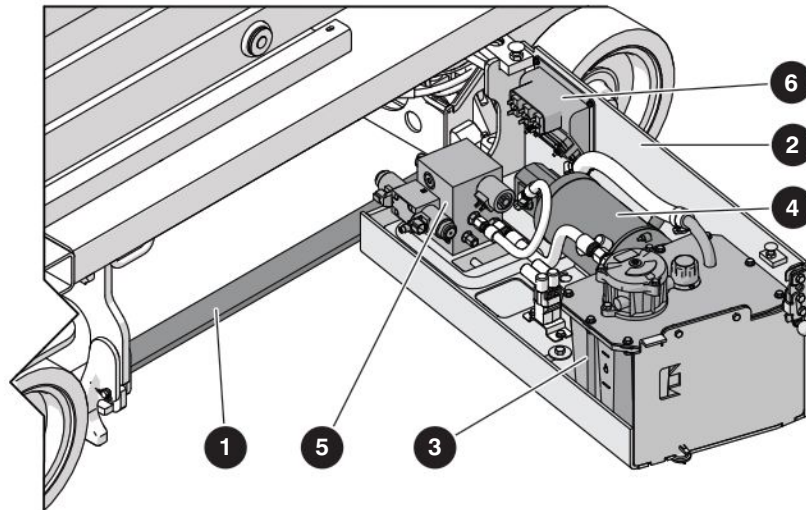
- Make sure there are no loose or missing fasteners.
- Make sure there is no visible damage.

4 Grease points

- Make sure there is no visible damage.
- Make sure there is no dirt or blockages.

5 EcoTray (optional equipment)

- Make sure there is no visible damage.
- Make sure there are no loose or missing fasteners.
- Make sure the absorbent pads are dry. If the absorbent pads contain hydraulic fluid, lock and tag the MEWP and remove it for servicing.



4.2-9 Hydraulic and electric tray

Do the inspection that follows:

1 Pothole protection device

- Make sure there are no loose or missing parts.
- Make sure there is no visible damage.
- Make sure there is no dirt and blockages.

2 Hydraulic and electric tray

- Make sure the hydraulic and electric tray latches correctly and is in good condition.

3 Hydraulic tank

- Make sure the hydraulic filler cap closes tightly.
- Make sure there is no visible damage or hydraulic leaks.
- **Hydraulic oil level:**
 1. Fully lower the platform.
 2. Do a check on the gauge on the right side of the hydraulic oil tank. The hydraulic oil level must be between minimum and maximum marks.

4 Hydraulic pump and motor

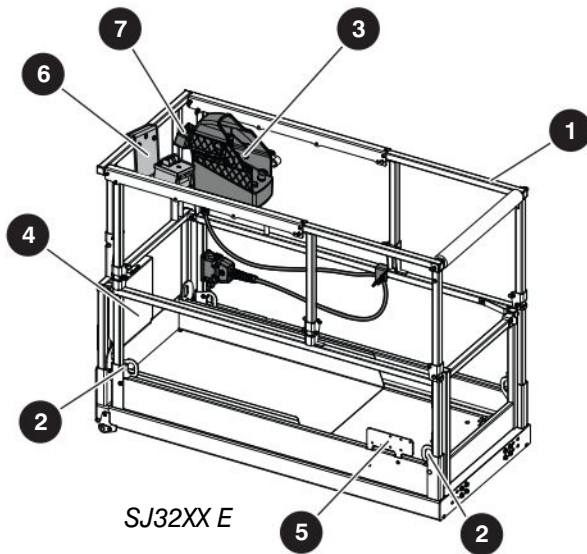
- Make sure there are no loose or missing fasteners.
- Make sure there is no visible damage.

5 Main manifold

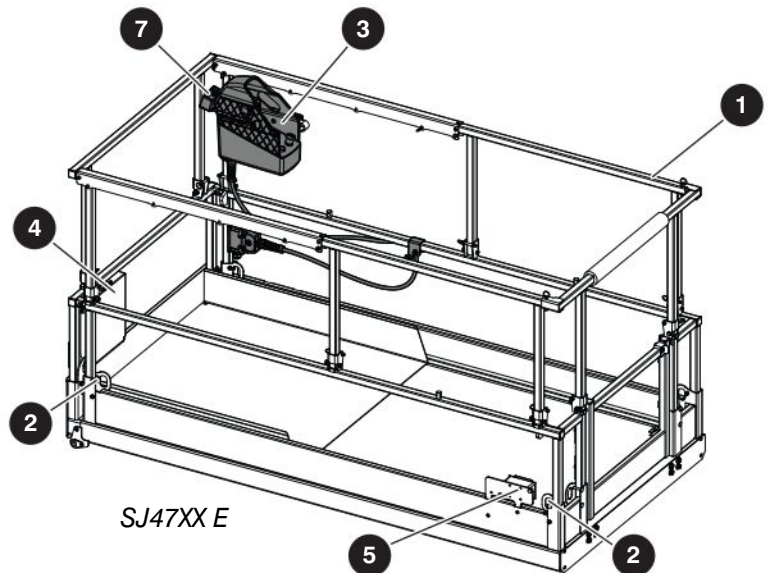
- Make sure all fittings and hoses are correctly tightened.
- Make sure there is no indication of hydraulic leakage.
- Make sure there are no loose wires or missing fasteners.

6 Display panel

- Make sure the panel is correctly attached, and there is no visible damage.



SJ32XX E



SJ47XX E

4.2-10 Platform assembly

Do the inspection that follows in sequence:

⚠ WARNING

Fall hazard. Use the three points of contact principle when you use the MEWP ladder to enter or exit the platform. If you do not obey, there is a risk of death or serious injury.

1. Enter the platform and close the gate.

1 Platform

- Make sure there are no loose or missing parts and there is no visible damage.
- Make sure the lock pins and fasteners are correctly locked.
- Make sure the **platform railings** are in the correct position and are locked with lock pins. Refer to [Section 6.8](#).
- Make sure the gate is in good condition and operates correctly.

2 Fall-protection anchorages

- Make sure the fall-protection anchorages are correctly installed.
- Make sure there is no visible damage.

3 Platform control console

- Make sure the control console is locked with the lock pin.
- Make sure the platform control cable is correctly locked and there is no visible damage.

4 Manual storage box

- Make sure the operation manual and other important documents are in the manual storage box.
- Make sure the documents are in good condition and you can read them.
- Always put the manuals and other documents back in the storage box after use.

5 AC power socket (optional)

- Make sure the socket is free of dirt or blockages.

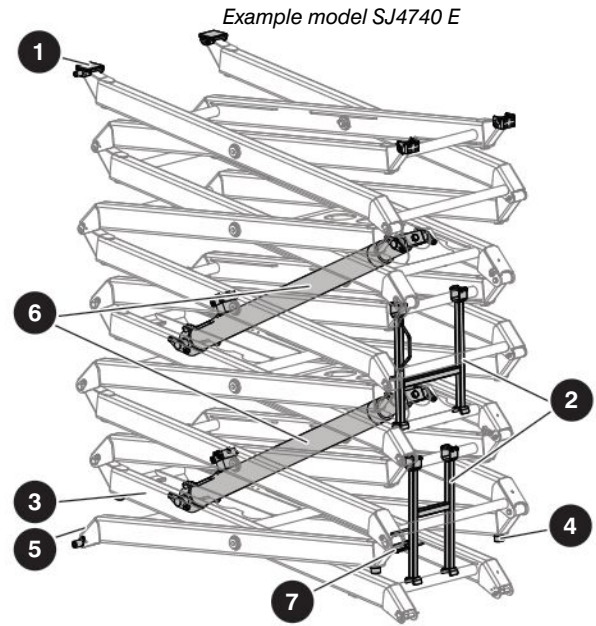
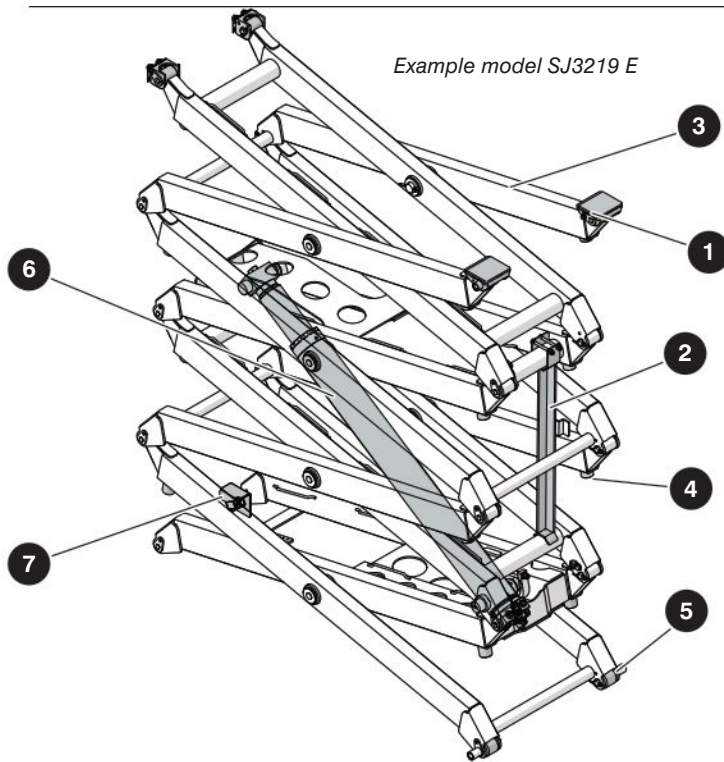
6 Power deck control console (optional equipment) (SJ3220 only)

- Make sure all the switches are in the neutral position, and are correctly attached.
- Make sure there are no loose or missing parts, and there is no visible damage.

7 Dual height control console (SJ3226 E and SJ4740 E, if equipped only)

- Make sure all the switches are in the neutral position, and are correctly attached.
- Make sure there are no loose or missing parts, and there is no visible damage.

2. Open the gate and use the MEWP ladder to exit the platform.



4.2-11 Lift mechanism

Do the inspection that follows in sequence:

1 Sliders

- Make sure the sliders on the left and right sides of the scissor stack are correctly attached.
- Make sure there is no visible damage.
- Make sure there is no dirt or blockages in the slider paths.

1. Raise the platform (refer to [Section 5.2](#)) and deploy the maintenance support(s) (refer to [Section 6.7-1](#)).

2 Maintenance support

- Make sure the maintenance support is correctly attached and show no visible damage.

3 Scissor assembly

- Make sure the scissor assembly shows no signs of visible damage, deformation, or cracks in the weldments.
- Make sure all the pins and fasteners are correctly installed, including the connections to the base and platform.
- Make sure the cables and wires have the correct routing, and show no signs of wear or visible damage.

4 Scissor bumpers

- Make sure the bumpers are correctly attached and have no visible damage.

5 Rollers

- Make sure the rollers on the left and right sides of the scissors stack are correctly installed.
- Make sure there is no visible damage.
- Make sure there is no dirt or blockages in the rollers' travel path.

6 Lift cylinder

- Make sure the lift cylinder is correctly installed.
- Make sure there are no loose or missing fasteners.
- Make sure there is no indication of leaks or damage.

7 Rotary sensor

- Make sure the rotary sensor is correctly attached.

2. Retract the maintenance support into its storage bracket. Refer to [Section 6.7-2](#).

3. Fully lower the platform.

4.3 Function Tests

WARNING

Do not operate this MEWP without correct training and authorization. If you do not obey, there is a risk of death or serious injury.

WARNING

Do not operate a MEWP that does not function correctly. Lock and tag the MEWP, and remove it for servicing. Only a qualified service technician must repair the MEWP. If you do not obey, there is a risk of death or serious injury.

WARNING

Fall hazard. Use the three points of contact principle when you use the MEWP ladder to enter or exit the platform. If you do not obey, there is a risk of death or serious injury.

WARNING

Look for overhead obstructions or other possible hazards around the MEWP when you raise the platform. Do not lower the platform unless the area below is clear of personnel and obstructions. If you do not obey, there is a risk of death or serious injury.

Be sure you read [Section 5](#) before you do the function tests.

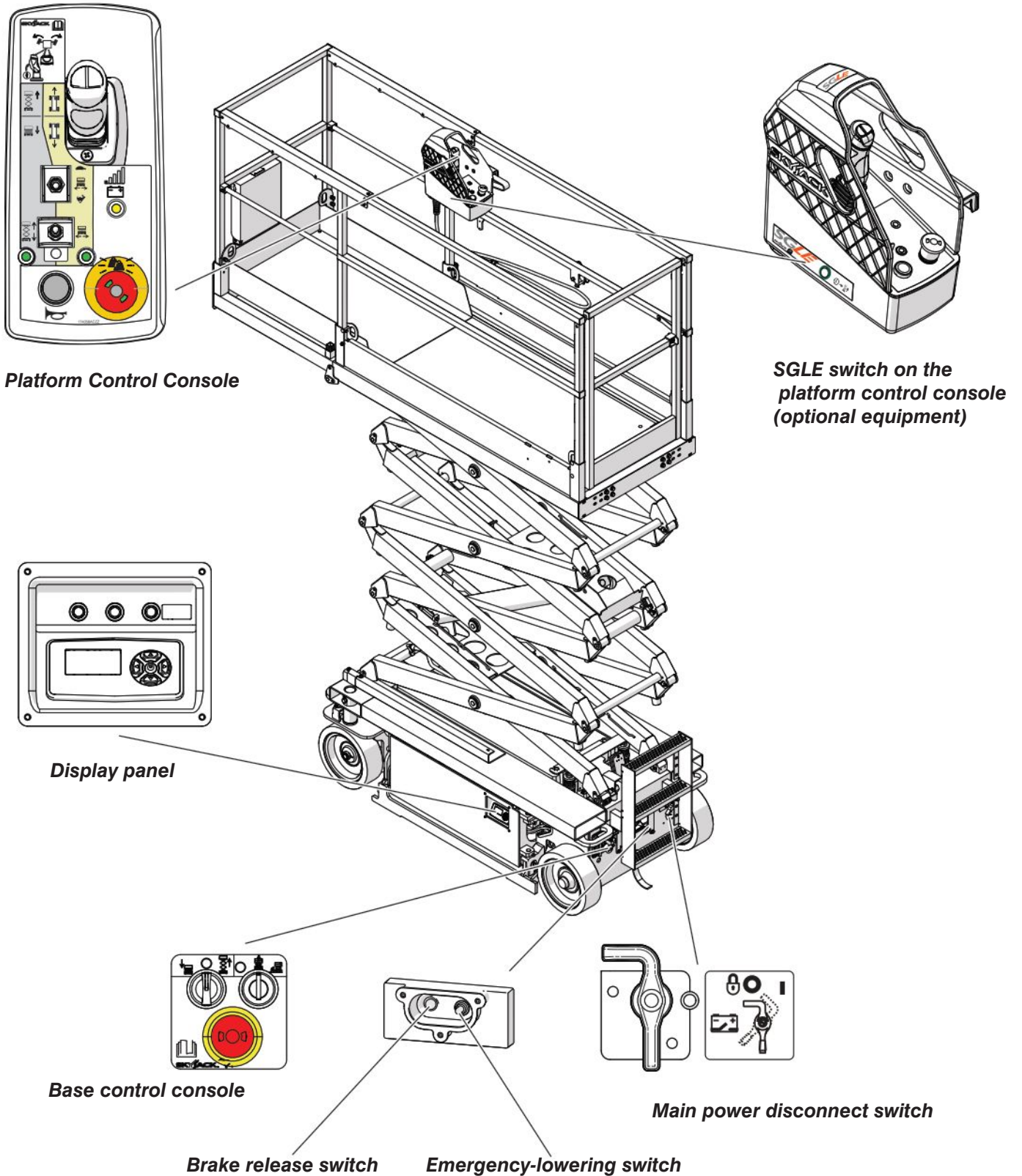
Refer to [Section 4.3-1](#) for diagrams of the MEWP controls.

Unless specifically noted otherwise, make sure the following conditions are true before you do the function tests:

1. Park the MEWP on a firm, level surface.
2. Retract and lower the MEWP to the stowed position.
3. Turn the main power disconnect switch on.
4. Pull out the emergency stop button on the base control console.
5. Make sure there is sufficient space to do the raise, lower, and drive functions as required.

If a function operates correctly, proceed with the next test. If a function fails or an error code appears on the display panel, lock and tag the MEWP and remove it for servicing.

4.3-1 MEWP controls



Functions	Actions
<i>Do these function tests from the base control console.</i>	
Main power disconnect switch (Refer to Section 5.1)	<ol style="list-style-type: none"> 1. Turn the main power disconnect switch to the off position. 2. Pull the emergency-stop button. 3. Use the base controls to raise or lower the platform. <ul style="list-style-type: none"> ▪ Result: The platform does not raise or lower.
Base emergency-stop button (Refer to Section 5.1)	<ol style="list-style-type: none"> 1. Turn the main power disconnect switch to the on position. 2. Push the emergency-stop button. 3. Use the base controls to raise or lower the platform. <ul style="list-style-type: none"> ▪ Result: The platform does not raise or lower.
Raise and lower (Refer to Section 5.2)	<ol style="list-style-type: none"> 1. Pull the emergency-stop button. 1. Turn and hold the off/platform/base key switch to the base position. 2. Turn and hold the lower/neutral/raise switch to the raise or lower position. <ul style="list-style-type: none"> ▪ Result: The platform rises or lowers.
Emergency lowering (Refer to Section 6.1)	<ol style="list-style-type: none"> 1. Raise the platform. 2. Use the emergency-lowering switch to lower the platform. <ul style="list-style-type: none"> ▪ Result: The platform lowers.
Flashing light (Optional equipment)	<ol style="list-style-type: none"> 1. Use base controls to raise the platform or drive the MEWP. <ul style="list-style-type: none"> ▪ Result: The light flashes. 2. Stop all the MEWP motion. <ul style="list-style-type: none"> ▪ Result: The light does not flash.
<i>Do these function tests from the platform control console</i>	
Platform emergency-stop button (Refer to Section 5.3)	<ol style="list-style-type: none"> 1. Push the emergency-stop button. 2. Use the platform controls to try to drive the MEWP. <ul style="list-style-type: none"> ▪ Result: The MEWP does not drive.
Function-enable switch	<ol style="list-style-type: none"> 1. Pull the emergency-stop button. 2. Do not use the function-enable switch, and try to drive the MEWP by moving the controller handle forward. <ul style="list-style-type: none"> ▪ Result: The MEWP does not drive. 3. Release the controller.
Steer (Refer to Section 5.7)	<ol style="list-style-type: none"> 1. Squeeze and hold the function-enable switch. 2. Press the steering rocker switch on the top of controller handle to steer left and right. <ul style="list-style-type: none"> ▪ Result: The steer wheels turn left and right.
Drive (Refer to Section 5.6)	<ol style="list-style-type: none"> 1. Squeeze and hold the function-enable switch. 2. Slowly push the controller handle until the MEWP starts to move. 3. Release the controller handle so that it goes back to the center position. <ul style="list-style-type: none"> ▪ Result: The MEWP moves forward and then stops. 4. Slowly push the controller handle until the MEWP starts to move. Then, release the handle, so that it goes back to the center position. <ul style="list-style-type: none"> ▪ Result: The MEWP moves rearward and then stops.

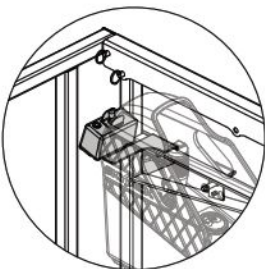
Functions	Actions
Anti-tiedown	<ol style="list-style-type: none"> Release the controller handle and do not use the function-enable switch. <ul style="list-style-type: none"> ▪ Result: The green light on lift/off/drive switch turns off after 10 seconds. Squeeze and hold the function-enable switch for at least 7 seconds then slowly push the controller handle to drive the MEWP forward. <ul style="list-style-type: none"> ▪ Result: The MEWP does not drive forward.
Brakes	<p>IMPORTANT The brakes engage instantly when you release the function-enable switch. This causes the MEWP to stop immediately.</p> <ol style="list-style-type: none"> Drive the MEWP forward and rearward. Release the controller handle. <ul style="list-style-type: none"> ▪ Result: The MEWP stops. Do not operate the MEWP if it pulls to one side while it stops. A service technician must do a check on the brake adjustments. Drive the MEWP forward and rearward. Release the function-enable switch only. <ul style="list-style-type: none"> ▪ Result: The MEWP stops. Do not operate the MEWP if it pulls to one side while it stops. A service technician must do a check on the brake adjustments.
Raise and lower (Refer to Section 5.4)	<ol style="list-style-type: none"> Move the lift/off/drive switch to the lift position. Squeeze and hold the function-enable switch. Push the controller handle to raise or pull the controller handle to lower the platform. <ul style="list-style-type: none"> ▪ Result: The platform rises or lowers.
Horn	<ol style="list-style-type: none"> Push the horn button. <ul style="list-style-type: none"> ▪ Result: The horn makes a sound.

WARNING

Crush hazard. Make sure all personnel on the ground stay away from the pothole protection device. If you do not obey, there is a risk of death or serious injury.

Pothole protection	<ol style="list-style-type: none"> Push the emergency-stop button. Exit the platform. Put a block approximately 3.75 cm (1.5 in) below the hydraulic and electric tray of the MEWP. Enter the platform and close the gate. Pull the emergency-stop button. Raise the platform until it is at a height of approximately 2.2 m (7 ft) for SJ3215 E, 2.76 m (9 ft) for SJ3219 E, 2.04 m (6 ft 6 in) for SJ3220 E, 2.54 m (8 ft) for SJ3226 E, 2.62 m (8 ft 5 in) for SJ4726 E, 3.07 m (10 ft) for SJ4732 E and 3.86 m (12 ft 6 in) for SJ4740 E respectively. Drive the MEWP forward or rearward. <ul style="list-style-type: none"> ▪ Result: The drive function does not operate. Fully lower the platform. Do steps 1 to 8 again, with the block put below the battery tray of the MEWP. <ul style="list-style-type: none"> ▪ Result: The drive function does not operate.
--------------------	---

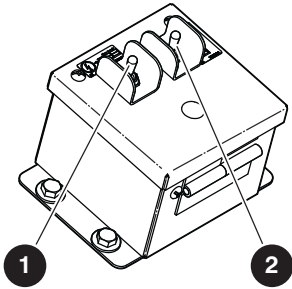
Functions	Actions
Pothole protection <i>(continued)</i>	10. Push the emergency-stop button. 11. Use the MEWP ladder to exit the platform. 12. Remove the block.
Elevated travel speed	1. Pull the emergency-stop button. 2. Raise the platform until it is at a height of approximately 1.37 m for SJ3215 E, 1.68 m for SJ3219 E, 2.08 m for SJ3220 E and SJ3226 E, 2.13 m for SJ4726 E, 2.44 m for SJ4732 E and 3.07 m SJ4740 E respectively. 3. Drive the MEWP forward and rearward. <ul style="list-style-type: none"> ▪ Result: The MEWP drives slower than when it was in the lowered travel position.
SGLE (Optional equipment) <i>(Refer to Section 5.5)</i>	1. Do not push the SGLE button. 2. Raise the platform. <ul style="list-style-type: none"> ▪ Result: The platform does not raise. 3. Push the SGLE button. Squeeze the function-enable switch. 4. Raise the platform. <ul style="list-style-type: none"> ▪ Result: The platform rises. 5. Pull the controller handle to fully lower the platform.
Dual height control console (SJ3226 E & SJ4740 E, if equipped)	1. Lift the dual height switch and select the outdoor (wind) position. 2. <u>For SJ3226 E:</u> Raise the platform to 8.90 m. <ul style="list-style-type: none"> ▪ Result: The platform rises to 5.63 m and then stops. <u>For SJ4740 E:</u> Raise the platform to 8.90 m. <ul style="list-style-type: none"> ▪ Result: The platform rises to 7.32 m and then stops. 3. Lift the dual height switch and select the indoor (no wind) position. 4. Raise the platform to 8.90 m. 5. Lift the dual height switch and select the outdoor (wind) position. <ul style="list-style-type: none"> ▪ Result: The alarm makes a sound. 6. Raise the platform. <ul style="list-style-type: none"> ▪ Result: The platform does not rise. 7. Drive the MEWP forward. <ul style="list-style-type: none"> ▪ Result: The MEWP does not move. 8. Lower the platform. <ul style="list-style-type: none"> ▪ Result: The platform lowers.



Functions	Actions
-----------	---------

Power deck control console (optional equipment)

(SJ3220 E)



1. Move the **lift/off/drive** switch to the lift position.
2. Move and hold the **extend/retract** switch ① in the extend position.
 - **Result:** The platform does not extend.
3. Move and hold the **enable** switch ②.
4. Move and hold the **extend/retract** switch in the extend position.
 - **Result:** The platform extends.
5. Move and hold the **extend/retract** switch in the retract position.
 - **Result:** The platform retracts.

4.4 Operator's Checklist (page 1 of 2)



SJ3215 E, SJ3219 E, SJ3220 E, SJ3226 E, SJ4720 E, SJ4726 E, SJ4732 E, SJ4740 E Daily Operator's Checklist

Serial Number: _____
 Model: _____
 Hourmeter Reading: _____
 Date: _____
 Time: _____

Operator's Name
(Printed): _____

Operator's Signature: _____

Use the applicable section of the operation manual to inspect each item. Check or complete the applicable box for each item as you inspect it.

P PASS
N/A NOT APPLICABLE

Add a comment if the item does not pass inspection.

	P	N/A	Comments
Visual and Daily Maintenance Inspections			
Labels - Do an inspection for damaged, or missing labels			
Pothole protection limit switches - Do an inspection for loose, damaged, or missing components			
Electrical - Do an inspection for loose, damaged, or missing components			
Hydraulic - Do an inspection for loose, damaged, or missing components			
Wheel/tire assembly - Do an inspection for loose, damaged, or missing components			
Wheel/tire assembly			
Wheel nuts			
Rear - Do an inspection for loose, damaged, or missing components			
Main power disconnect switch			
Base control			
Ladder			
Battery charger (SJ3215/19 E only)			
Brake release switch			
Emergency lowering switch			
AC power plug (optional equipment)			
Battery tray side - Do an inspection for leaks and loose, damaged, or missing components			
Pothole protection device			
Battery tray			
Batteries			
Battery charger (SJ3220 E, SJ3226 E, SJ4720 E, SJ4726 E, SJ4732 E and SJ4740 E)			
Front - Do an inspection for leaks and loose, damaged, or missing components			
Steer cylinder assembly			
Steer linkages			
Wheel/motor assembly			
Greasing points			
EcoTray (optional equipment)			
Hydraulic and electric tray side - Do an inspection for leaks and loose, damaged, or missing components			
Pothole protection device			
Hydraulic and electric tray			
Hydraulic tank			
Hydraulic pump and motor			

NOTE: Make a copy of this page or go to www.skyjack.com for a printable copy.

4.4 Operator's Checklist (page 2 of 2)

	P	N/A	Comments
Main manifold			
Display panel			
Platform assembly - Do an inspection for loose, damaged, or missing components			
Platform and platform railings			
Fall-protection anchorages			
Platform control console			
Manual storage box			
Dual height control console (SJ3226 E and SJ4740 E only)			
Power deck control console (SJ3220 E only)			
AC power outlet (optional equipment)			
Lift mechanism - Do an inspection for loose, damaged, or missing components			
Sliders			
Maintenance support			
Scissor assembly			
Scissor bumpers			
Rollers			
Lift cylinder(s)			
Rotary sensor			
Optional equipment and attachments - Do an inspection for leaks and loose, damaged, or missing components			
Function Tests			
<i>Do these function tests from the base control console.</i>			
Do a test of the main power disconnect switch			
Do a test of the emergency-stop button on the base			
Do a test of the platform raise and lower functions			
Do a test of the emergency-lowering function			
Do a test of flashing light (Optional equipment)			
<i>Do these function tests from the platform control console.</i>			
Do a test of the emergency-stop button on the platform			
Do a test of the function-enable switch			
Do a test of the steer function			
Do a test of the drive function			
Do a test of the anti-tiedown function			
Do a test of the brakes			
Do a test of the platform raise and lower functions			
Do a test of the horn			
Do a test of the pothole protection device			
Do a test of the elevated travel speed			
Do a test of the SGLE switch (optional equipment)			
Do a test of the dual height control console (optional equipment)			
Do a test of the power deck control console (optional equipment)			

2211AA

NOTE: Make a copy of this page or go to www.skyjack.com for a copy that you can print.

Section 5 – Operation

WARNING

Do not operate this MEWP without authorization and training. If you do not obey, there is a risk of death or serious injury.

Do these tasks in sequence before MEWP operation:

1. Worksite inspection. Refer to [Section 2.4](#).
2. Visual and daily maintenance inspections. Refer to [Section 4.2](#).
3. Function tests. Refer to [Section 4.3](#).
4. If a risk assessment finds that a rescue plan is necessary, make sure you have a system of communication. The communication must be between the personnel on the platform and the selected support personnel. The selected support personnel must know how to use the base controls to lower the platform.

WARNING

Do not operate the MEWP if:

- It does not operate correctly
- It is damaged, or shows worn or missing parts
- The safety devices are tampered with or disabled
- It is locked and tagged for servicing or repair
- It was modified without permission from Skyjack and the MEWP owner.

If you do not obey, there is a risk of death or serious injury.

5.1 Energize the base control console

1. Turn the **main power disconnect** switch to the on position.
2. Pull the **emergency-stop** button on the base control console.

WARNING

If you do not hear a beep and the light does not come on, lock and tag the MEWP. Remove the MEWP for servicing. If you do not obey, there is a risk of death or serious injury.

3. Turn and hold the **off/platform/base key** switch to the base position.

5.2 Raise or lower the platform with the base control console

1. Energize the base control console (refer to [Section 5.1](#)).

WARNING

Look for overhead obstructions or other possible hazards around the MEWP when you raise the platform. Do not lower the platform unless the area below is clear of personnel and obstructions. If you do not obey, there is a risk of death or serious injury.

2. Turn and hold the **lower/off/raise** switch in the raise or lower position to raise or lower the platform. Release the switch to stop.

5.3 Energize the platform control console

1. Turn the **main power disconnect** switch to the on position.
2. Pull the **emergency-stop** button on the base control console.

WARNING

If you do not hear a beep and the light does not come on, lock and tag the MEWP. Remove the MEWP for servicing. If you do not obey, there is a risk of death or serious injury.

3. Turn the **off/platform/base key** switch to the platform position.

WARNING

Fall hazard. Use the three points of contact principle when you use the MEWP ladder to enter or exit the platform. If you do not obey, there is a risk of death or serious injury.

4. Enter the platform and close the gate.
5. Pull the **emergency-stop** button on the platform control console.

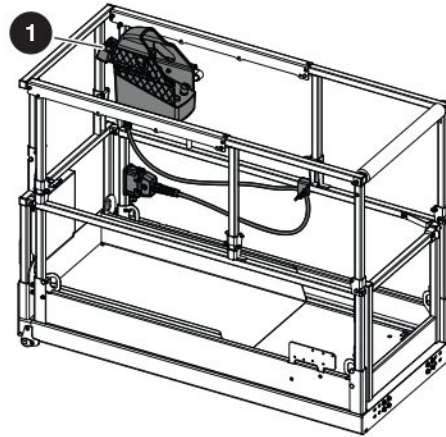
5.4 Raise or lower the platform with the platform control console

1. Energize the platform control console (refer to [Section 5.3](#)).

WARNING

Look for overhead obstructions or other possible hazards around the MEWP when you raise the platform. Do not lower the platform unless the area below is clear of personnel and obstructions. If you do not obey, there is a risk of death or serious injury.

2. For SJ3226 E and SJ4740 E only (if equipped): Lift the **dual height** switch **1** and select the indoor (no wind) or outdoor (wind) position.



3. Move the **lift/off/drive** switch to the lift position.
4. The indicator light turns green to indicate the lift function is enabled.
5. Squeeze and hold the **function-enable** switch.

NOTE

The drive or lift function is enabled for 10 seconds. The power to both drive and lift circuits disconnects if the function-enable switch is not used within 10 seconds.

6. Move the **controller handle** until you are at the necessary height..

NOTE

The lower function is not proportional.

7. Squeeze the **function-enable** switch.
8. Pull the **controller handle** to lower the platform.
9. Move the **controller handle** to the neutral central position to stop. Release the **function-enable** switch.

WARNING

Push the emergency-stop button when you are at the necessary location or elevation. This prevents unintended MEWP movement. If you do not obey, there is a risk of death or serious injury.

WARNING

If the tilt alarm makes a sound, and the platform does not rise or does not fully rise:

1. Fully lower the platform immediately.
2. Make sure the MEWP is on a firm, level surface.

If you do not obey, there is a risk of death or serious injury.

5.5 Raise and lower with the SGLE platform control console (optional equipment)

1. Energize the platform control console (refer to [Section 5.3](#)).

WARNING

Look for overhead obstructions or other possible hazards around the MEWP when you raise the platform. Do not lower the platform unless the area below is clear of personnel and obstructions. If you do not obey, there is a risk of death or serious injury.

2. Move the **lift/off/drive** switch to the lift position.
3. Push and hold the **SGLE** push-button and squeeze and hold the **function-enable** switch.

NOTE

The drive or lift function is enabled for 10 seconds. The power to both drive and lift circuits disconnects if the function-enable switch is not used within 10 seconds.

4. Move the **controller handle** until you are at the necessary height.
5. Squeeze the **function-enable** switch.
6. Pull the **controller handle** to lower the platform.
7. Move the controller handle to the neutral central position to stop. Release the **function-enable** switch.

NOTE

The SGLE does not have an effect on these functions: lower, drive, steer or emergency lowering.

WARNING

Push the emergency-stop button when you are at the necessary location or elevation. This prevents unintended MEWP movement. If you do not obey, there is a risk of death or serious injury.

WARNING

If the tilt alarm makes a sound, and the platform does not rise or does not fully rise:

1. Fully lower the platform immediately.
2. Make sure the MEWP is on a firm, level surface.

If you do not obey, there is a risk of death or serious injury.

5.6 Drive forward or rearward

WARNING

Make sure there are no personnel or obstructions in the path of travel. Acquaint yourself with the blind spots of the MEWP. If you do not obey, there is a risk of death or serious injury.

WARNING

Crush hazard. Personnel on the ground must stay away from the pothole protection device. If you do not obey, there is a risk of death or serious injury.

WARNING

Do not drive the MEWP elevated in areas where electrical cables or debris are in the path of travel. If you do not obey, there is a risk of death or serious injury.

1. Energize the platform control console (refer to [Section 5.3](#)).
2. Move the **lift/off/drive** switch to the drive position.
3. The indicator light turns green to indicate drive function is enabled.
4. Squeeze and hold the **function-enable** switch.

NOTE

The drive or lift function is enabled for 10 seconds. The power to both drive and lift circuits disconnects if the function-enable switch is not used within 10 seconds.

5. Move the **controller handle** to drive at the necessary speed and in the necessary direction.
6. Move the **controller handle** to the neutral central position to stop. Release the **function-enable** switch.

WARNING

Push the emergency-stop button when you are at the necessary location or elevation. This prevents unintended MEWP movement. If you do not obey, there is a risk of death or serious injury.

CAUTION

The pothole protection relies on stable ground clearance. If the total MEWP weight is ever on the pothole protection, immediately lower the platform, and lock and tag the MEWP. A qualified service technician must do a complete inspection. If you do not obey, there is a risk of MEWP damage.

5.7 Steer

1. Energize the platform control console (refer to [Section 5.3](#)).
2. Move the **lift/off/drive** switch to the drive position.
3. Squeeze and hold the **function-enable** switch.

NOTE

The drive or lift function is enabled for 10 seconds. The power to both drive and lift circuits disconnects if the function-enable switch is not used within 10 seconds.

4. Push the **steering rocker** switch on top of the **controller handle** in one of the two directions to steer.

5.8 Select the low-speed or high-speed mode

- Select the high speed drive mode when you drive on a level surface.
 1. To use the high speed drive mode, move the **high-speed/low-speed** switch to the high-speed position.

WARNING

Do not drive the MEWP in the elevated position on a slope. Fully retract the MEWP before you operate it on a slope. If you do not obey, there is a risk of death or serious injury.

- Select the low speed-drive mode in these situations:
 - When you drive up or down slopes
 - When you drive on rough ground
 - When you drive the MEWP onto or remove it from a transport vehicle.
- 1. To use the low-speed, move the **high-speed/low-speed** switch to the low-speed position.

WARNING

Push the emergency-stop button when you are at the necessary location or elevation. This prevents unintended MEWP movement. If you do not obey, there is a risk of death or serious injury.

5.9 Extend/retract the extension platform

⚠ WARNING

Crush hazard. Do not retract the extension platform from the ground. If you do not obey, there is a risk of death or serious injury.

⚠ WARNING

Push the emergency-stop button when you are at the necessary location or elevation. This prevents unintended MEWP movement. If you do not obey, there is a risk of death or serious injury.

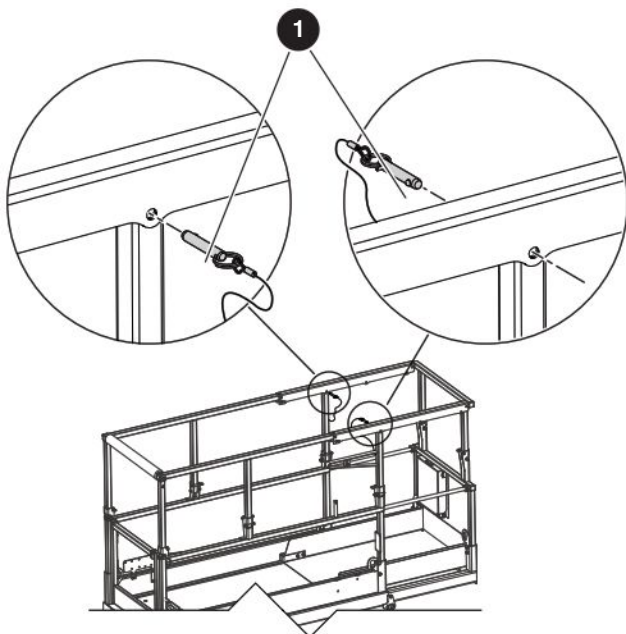
5.9-1 Extend/retract the extension platform manually

1. Remove the **lock pins** ❶ for the extension platform.
2. Push or pull the extension handrails to extend or retract the extension platform.

⚠ CAUTION

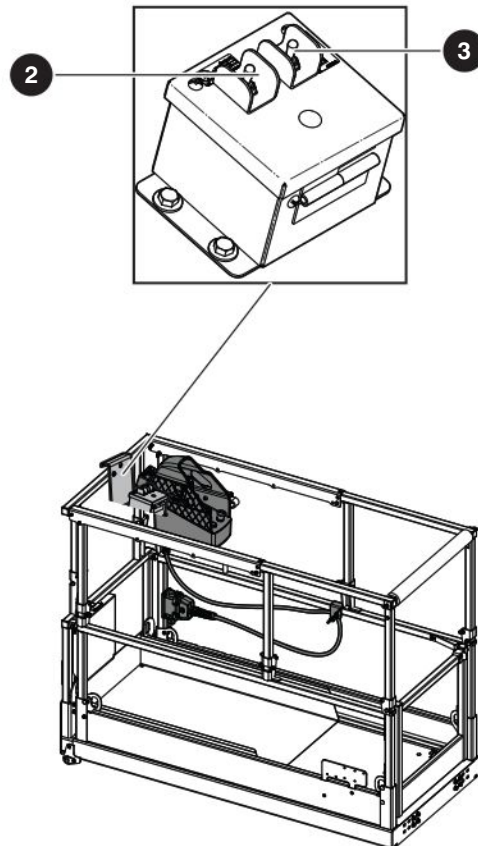
Install each lock pin correctly with the detent ball of each lock pin fully through the extension handrails. If you do not obey, there is a risk of machine damage.

3. Install the **lock pins** to lock the extension platform at the necessary position.



5.9-2 Extend/retract the extension platform with the power deck (optional equipment for SJ3220 E)

1. Pull the **emergency-stop** button on the platform control console.
2. Move the **lift/off/drive** switch to the lift position.
3. Select and hold the enable switch ❷.
4. Move the extend/retract switch ❸ to the extend position or retract position. Release the switch to stop.
5. Push the emergency-stop button.



5.10 MEWP shutdown

WARNING

Look for overhead obstructions or other possible hazards around the MEWP when you raise the platform. Do not lower the platform unless the area below is clear of personnel and obstructions. If you do not obey, there is a risk of death or serious injury.

1. Select a reasonably well-protected location to park the MEWP. This location must have a firm, level surface, clear of obstructions and traffic.
2. Fully lower the platform.
3. Push the **emergency-stop** button.

WARNING

Fall hazard. Use the three points of contact principle when you use the MEWP ladder to enter or exit the platform. If you do not obey, there is a risk of death or serious injury.

4. Use the MEWP ladder to exit the platform.
5. Turn the **off/platform/base key** switch to the off position on the base control console and remove the key.
6. Push the **emergency-stop** button.
7. Turn the **main power disconnect** switch to the off position.

Section 6 – Procedures

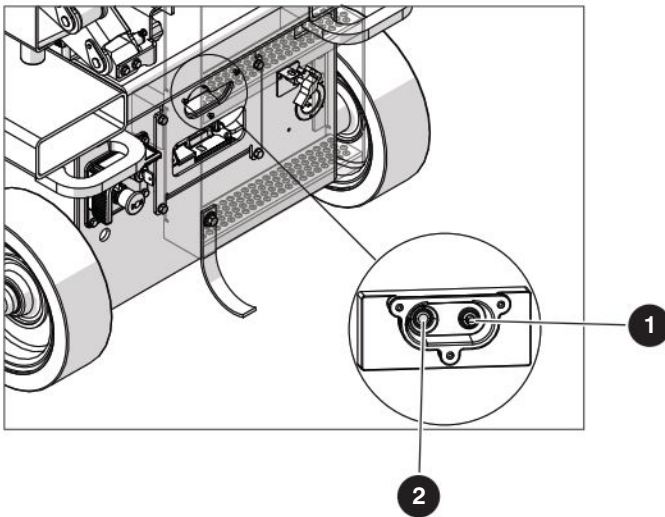
6.1 Use the emergency-lowering function

If there is a primary power failure, you can use the emergency-lowering function to lower the platform.

⚠ WARNING

Crush hazard. Keep clear of the lift mechanism when you use the emergency-lowering function. If you do not obey, there is a risk of death or serious injury.

Hold the **emergency-lowering** switch **1** to the left or right to fully lower the platform.



⚠ WARNING

Look for overhead obstructions or other possible hazards around the MEWP when you raise the platform. Do not lower the platform unless the area below is clear of personnel and obstructions. If you do not obey, there is a risk of death or serious injury.

6.2 Release the brakes manually

⚠ WARNING

Runaway hazard. After you release the brakes, the MEWP rolls freely on slopes. Do not manually disengage the brakes unless the MEWP is on a level surface or the MEWP is fully restrained.

Keep the travel path clear at all times.

If you do not obey, there is a risk of death, serious injury, and/or MEWP damage.

1. Make sure that the MEWP is on firm, level ground.
2. Turn the **main power disconnect** switch to the on position.
3. Pull the **emergency-stop** button on the platform control console.
4. Pull the **emergency-stop** button on the base control console.
5. Turn and hold the **off/platform/base key** switch to the base position
6. Hold the brake release button **2** for 3 seconds. The beeper makes a sound to indicate the brake is released.
7. Push the **emergency-stop** button to engage the brakes.

6.3 Winch and tow the MEWP

WARNING

Tip-over hazard. Make sure that platform is fully lowered before you push, winch or tow unless the movement is necessary to clear an obstacle. Sudden movement can cause the MEWP to become unstable.

In emergency situations where the MEWP functions are unavailable and an obstruction prevents the platform lower function, carefully move the MEWP. Move the MEWP sufficiently far away to clear the obstruction. Do not move at a speed faster than 50 mm/sec (2 in/sec). If you do not obey, there is a risk of death, serious injury, and/or MEWP damage.

WARNING

When you push, winch or tow, do not move the MEWP at a speed faster than 3.2 km/h (2.0 mph). If you do not obey, there is a risk of death or serious injury.

WARNING

Runaway hazard. After you release the brakes the MEWP rolls freely on slopes. Disengage the brakes manually only if the MEWP is fully restrained or the MEWP is on a level surface.

Keep the travel path clear at all times.

If you do not obey, there is a risk of death, serious injury, and/or MEWP damage.

WARNING

Tip-over hazard. Disengage the brakes manually before you push, winch, or tow the MEWP. If you do not obey, there is a risk of death or serious injury.

1. Release the brakes manually. Refer to [Section 6.2](#).
2. Push, winch, or tow the MEWP to the necessary location.
3. Put the MEWP on a firm, level surface.
4. Push the **emergency-stop** button to reset the brakes.

WARNING

Engage the brakes immediately after the MEWP is at the necessary location. If you do not obey, there is a risk of death or serious injury.

6.4 Use the platform control console from the ground

⚠ WARNING

The correct operator location is with the platform control console attached to the right-front side of the platform. Only operate the MEWP from the ground in these conditions:

- To do maintenance
- When you cannot do work safely from the position of the operator on the platform because of an obstruction
- To fold the guardrails.

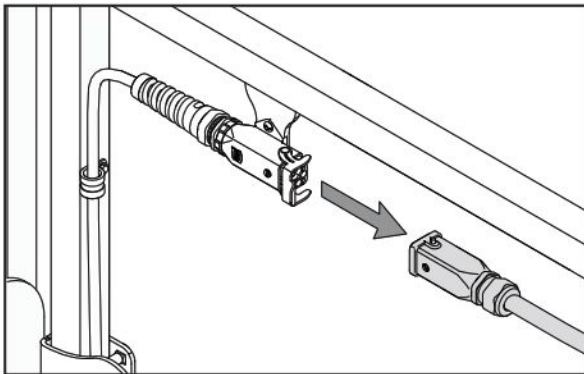
If you do not obey, there is a risk of death or serious injury.

⚠ WARNING

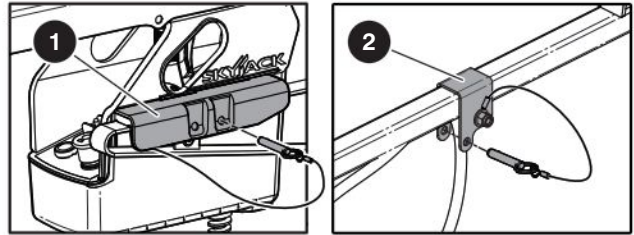
Fall hazard. Use the three points of contact principle when you use the MEWP ladder to enter or exit the platform. If you do not obey, there is a risk of death or serious injury.

6.4-1 Disconnect and remove the platform control console

1. Use the MEWP ladder to enter the platform.
2. Disconnect the **platform control console cable** from the **electrical connector** on the platform.



3. Remove the **lock pin ①** from the control console mounting bracket. Remove the **platform control console** from the mounting bracket.
4. Remove the **control cable lock pin** from the **railing clamp ②**. Remove the **control cable** from the clamp on the horizontal midrail.



5. Put the **platform control console** down on the platform floor.
6. Use the MEWP ladder to exit the platform.

6.4-2 Operate the MEWP from the ground

⚠ WARNING

Make sure the operator and the platform control console point in the same direction as the front of the MEWP.

Do not drive the MEWP toward yourself.

Keep away from crush hazards. Stay clear of the MEWP and out of the direction of travel.

When you use a ramp to drive the MEWP onto or remove it from a transport vehicle, make sure all personnel, which includes the operator:

- Stay away from the direction of a possible tip-over of the MEWP.
- Stay out of the path of movement of the MEWP down the ramp.

If you do not obey these instructions, there is a risk of death or serious injury.

⚠ CAUTION

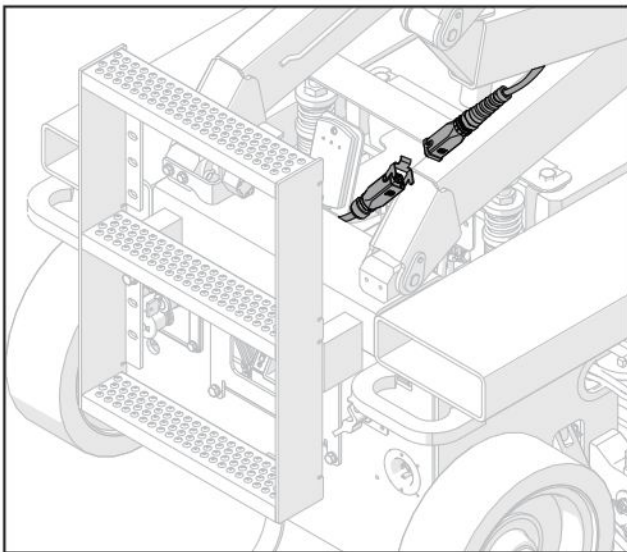
Make sure the platform control console cable does not become entangled with the MEWP or objects that surround the MEWP. If you do not obey, there is a risk of MEWP damage.

1. Before you operate the MEWP, do a full worksite inspection to identify possible hazards in your work area. Refer to [Section 2.4](#).
2. Cordon off the pathway you plan to travel.

⚠ WARNING

Crush hazard. Make sure that there are no personnel in the path you will travel. Tell personnel around the path before you move the MEWP. Use a second person to monitor the movement of the MEWP. Make sure that person stays at a safe distance. If you do not obey, there is a risk of death or serious injury.

3. Connect the **cable** of the platform control console to the **electrical connector** at the rear of the MEWP.
4. Stay behind or to the side of the MEWP.



5. Move the **low speed/high speed** switch to the low speed position.
6. Use as low a speed as practical to drive the MEWP forward to the necessary location.
7. Push the **emergency-stop** button when the MEWP is at the necessary location.
8. Turn the **main power disconnect** switch to the off position.
9. Disconnect the cable from the base before you go up onto the platform.

⚠ WARNING

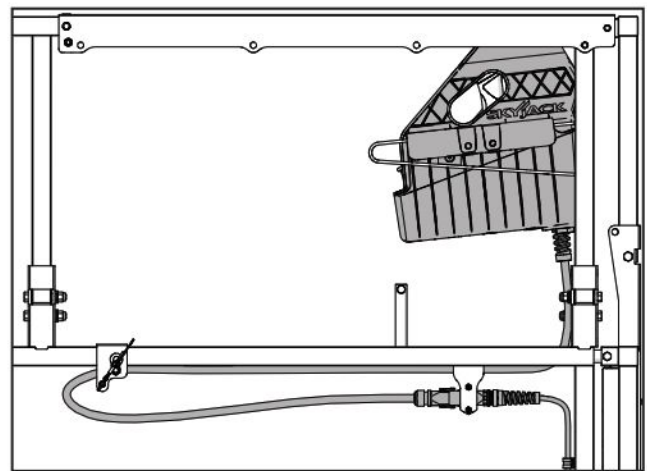
Fall hazard. Use the three points of contact principle when you use the MEWP ladder to enter or exit the platform. If you do not obey, there is a risk of death or serious injury.

10. Use the MEWP ladder to enter the platform.

⚠ CAUTION

Make sure each lock pin is correctly installed with the detent ball of each lock pin fully through the hole.

11. Install the **platform control console** onto the mounting bracket. Install the **lock pin** in the mounting bracket.
12. Put the **control cable** into the railing clamp and install the **lock pin**.
13. Connect the **cable** of the platform control console to the **electrical connector** on the platform.



6.5 Move the MEWP for transport

When you drive a MEWP onto or remove it from a transport vehicle on a public road, give protection to the person(s) involved. Protection can include:

- Warning cones
- Road signs and signaling devices
- Applicable personal protective equipment, such as reflective clothing
- Flag personnel to warn other vehicles of the MEWP and other related vehicles
- Other applicable control measures.

Obey all the national, state/provincial/territorial, and local safety rules when you move the MEWP for transport. Only qualified personnel with authorization must drive the MEWP on to or remove it from a transport vehicle.

Be sure the vehicle capacity and load equipment, hoists, chains, straps, and other related items are sufficient to withstand the maximum MEWP weight.

Park the transport vehicle on a level surface. Use wheel chocks or blocks to prevent unintended vehicle movement during this operation.

6.5-1 Hoist the MEWP

WARNING

Only qualified riggers must operate the machinery during a lift.

When you hoist the MEWP, you must:

- Turn the **main power disconnect** switch to the off position.
- Close and tightly latch the hydraulic and electric and battery trays.
- Retract the extension platform. Correctly insert the **lock pins**.
- Attach the **platform control console** to the mounting bracket, or remove the platform control console
- Remove all personnel, tools, and materials from the platform.
- Attach the rigging to all **four lift points ①**, or lift with the forks in the designated **forklift pockets ②**. Refer to [Figure 01](#), [Figure 02](#), and [Figure 03](#).

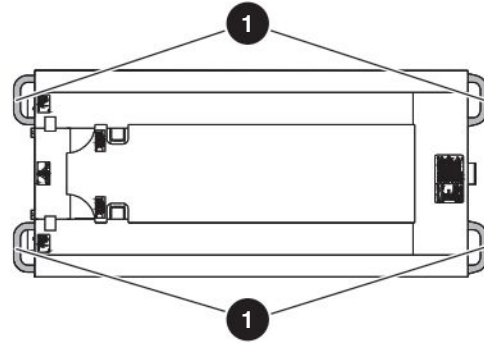


Figure 01 Lift and tie-down points

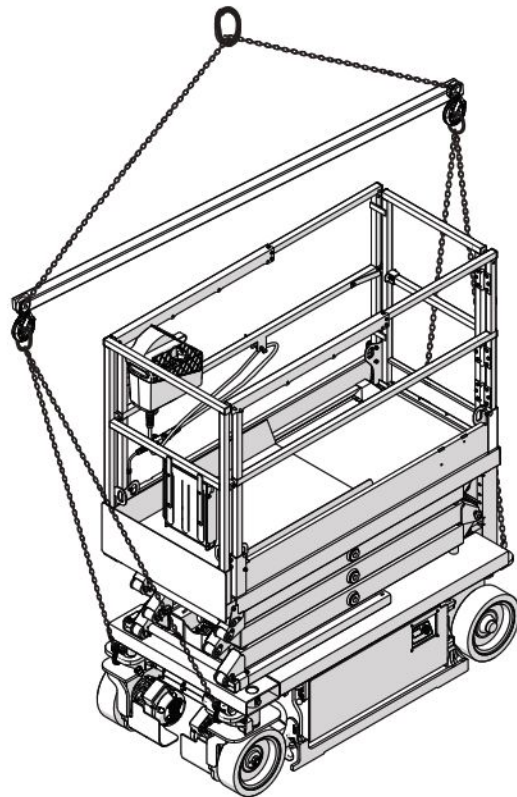


Figure 02 Appropriate method to hoist

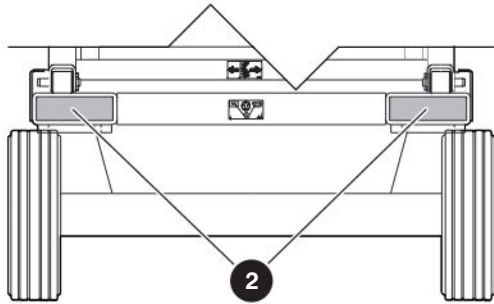
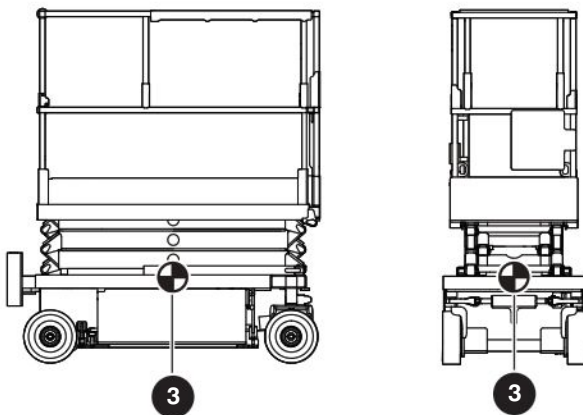


Figure 03 Forklift pockets

NOTE

For the weight of the MEWP, refer to [Section 7.3 \(Specifications\)](#). Horizontally, the **center of gravity 3** is approximately in the middle of the MEWP, front to back and side to side. Vertically, the center of gravity is approximately a small distance above the chassis.



Center of gravity

6.5-2 Drive and tie down the MEWP

Before you drive the MEWP:

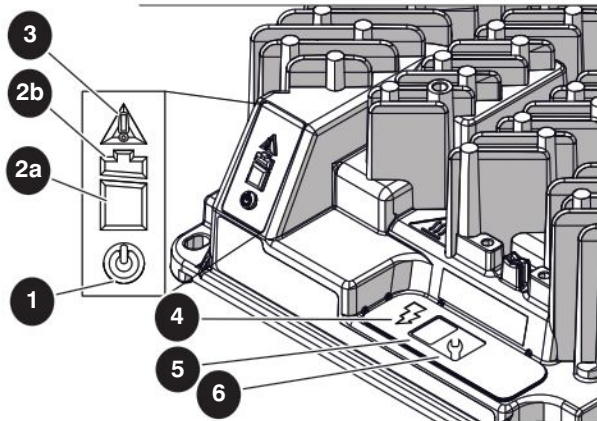
- The ramp or dock capacity must be able to hold the maximum MEWP weight.
- Use side guards (if available) to prevent a fall from the ramp.
- The incline of the ramp must not exceed the MEWP gradeability. Refer to [Section 7.3](#) -(Floor Loading Pressure).
- Do a test of the MEWP brakes to make sure they operate correctly.
- Move the **high-speed/low-speed** switch to the low-speed position.

WARNING

When you transport the MEWP it must be attached to a truck or trailer deck. Use the available tie-down points 1 to attach the MEWP. Refer to [Figure 01](#). If you do not obey, there is a risk of death or serious injury.

- Tie down the MEWP to the transport vehicle using the four tie-down points 1. Refer to [Figure 01](#).

6.6 Charge the Battery



No.	Indicator type	Condition	Description
1	AC power	Blue	Battery charger is connected to the AC power.
2a	Battery charge <80%	Flashing Amber	Low charge— continue to charge.
		Solid green	High charge— continue to charge.
2b	Battery charge >80%	Green flash	High charge— continue to charge or stop the charge.
		Solid green	Charge complete— stop the charge.
3	Fault/ error	Solid red	<i>Charger fault</i> —refer to the service manual.
		Amber flash	<i>Error found</i> —refer to the service manual.
4	Charge output	Solid yellow	Charger output is on.
5	Charge profile/ error display	Algorithm or fault/ error code	N/A.
6	Select charge profile	Charge algorithm	N/A.

⚠ WARNING

Electrocution hazard. Do not put the charger in water. If you do not obey, there is a risk of death or serious injury.

⚠ CAUTION

Burn hazard. Do not touch the surface of the charger when it is in operation, especially in higher temperature environments. Let the charger cool before you touch it. If you do not obey, there is a risk of death or serious injury.

1. Supply sufficient airflow for the batteries and the charger.

IMPORTANT

Do not let materials or fabric be in contact with the charger. It is necessary for the charger to have access to cool air for it to operate correctly. Clean the charger cooling fins if they are clogged with debris to make sure the charger functions at its best.

2. Do a visual and manual inspection of the DC output wires and terminals. Make sure they are in good condition before each use.

⚠ WARNING

Explosion hazard. Be careful when you use fuels, solvents, or other flammable materials near the charger or batteries. A spark from the charger or batteries can cause a fire or explosion. If you do not obey, there is a risk of death or serious injury.

3. Connect the power supply cable to a correctly grounded outlet between 100 to 240 VAC, 50/60 Hz. The charger automatically senses and adjusts to the voltage range of the AC input.

NOTE

The charger starts automatically in 4-6 seconds, regardless of the remaining battery charge (down to 1 VDC terminal voltage). The LEDs show that the charge continues.

NOTE

Many conditions have an effect on the battery charge time. These include: the battery amp-hour capacity, the remaining charge, the temperature, and the condition (new, used, and defective). More time is necessary to charge batteries that are larger than 240 AH.

WARNING

Explosion hazard. Do not disconnect the DC output wires near the batteries when the charger is ON. This can cause an arc, which can then cause the batteries to explode. You must disconnect the AC power supply cable from its outlet, and then the charger DC connections. If you do not obey, there is a risk of death or serious injury.

WARNING

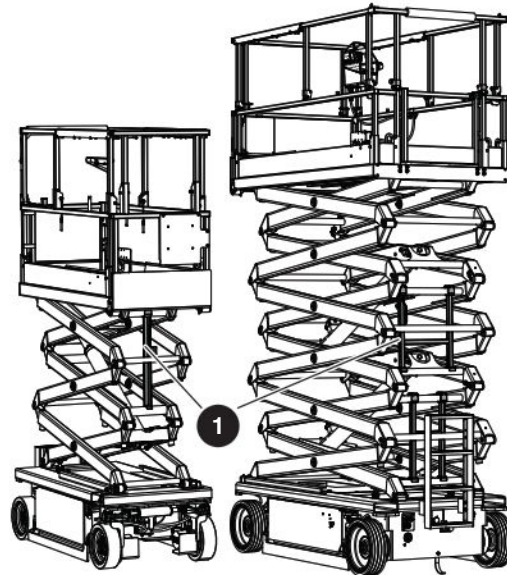
Electrocution hazard. Do not touch parts of the charger output wires that are not insulated, the battery connector, or the battery terminals. If you do not obey, there is a risk of death or serious injury.

WARNING

Do not charge the batteries in hazardous areas.

6.7 Use the Maintenance Support

The **maintenance support** ① is a mechanism on the scissor assembly. When it is in the correct position it can hold the scissor assembly and an empty platform.

**WARNING**

Use the maintenance support when you do an inspection and/or maintenance or repairs in the confines of the lift mechanism. If you do not use the supports, there is a risk of death or serious injury.

WARNING

Crush hazard. Do not put parts of your body through the scissor assembly unless the maintenance support is correctly deployed. If you do not obey, there is a risk of death or serious injury.

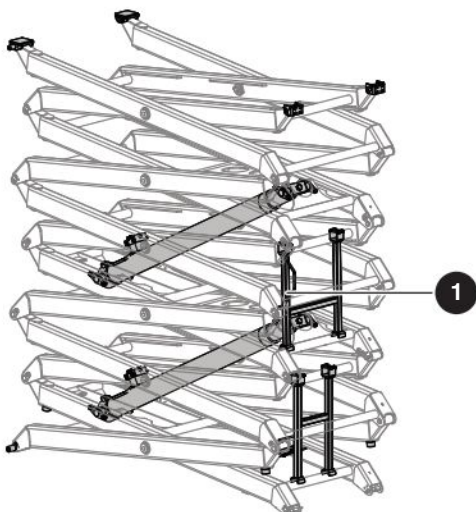
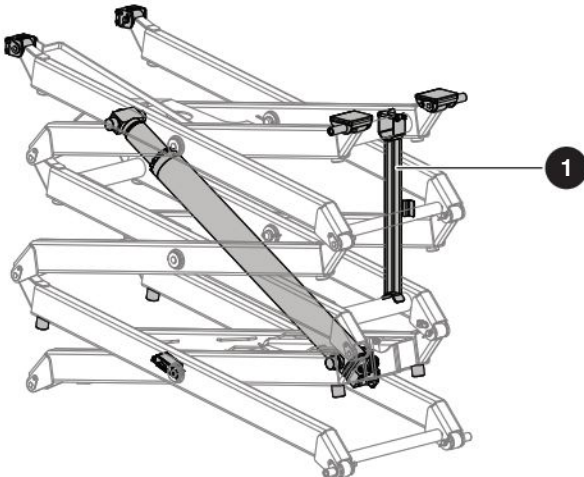
6.7-1 Deploy the maintenance support

1. Remove all personnel and material from the platform.

⚠ WARNING

Look for overhead obstructions or other possible hazards around the MEWP when you raise the platform. Do not lower the platform unless the area below is clear of personnel and obstructions. If you do not obey, there is a risk of death or serious injury.

2. Raise the platform until there is adequate clearance to deploy the **maintenance support** ①.
3. Deploy the **maintenance support**.
4. Lower the platform until the **maintenance support** touches the cross members with labels, and the platform stops.
5. Turn the **main power disconnect** switch to the off position.



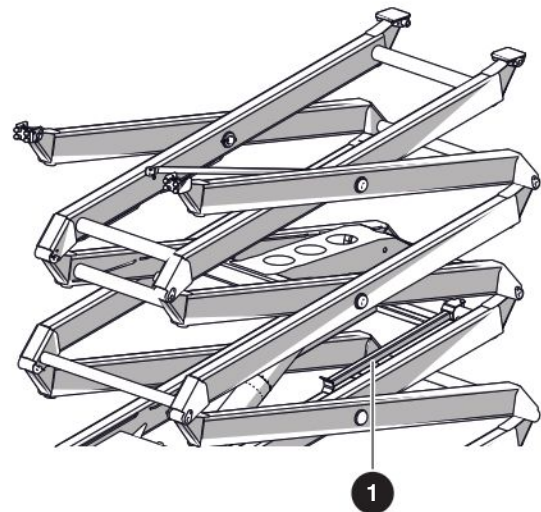
6.7-2 Store the maintenance support

1. Turn the **main power disconnect** switch to the on position.

⚠ WARNING

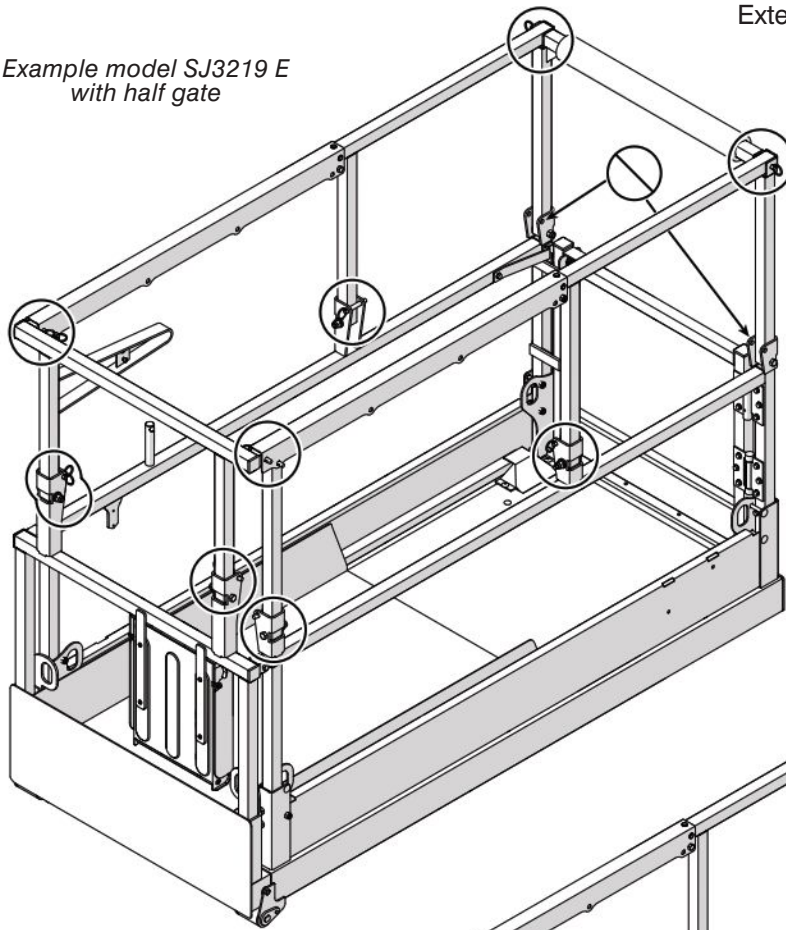
Look for overhead obstructions or other possible hazards around the MEWP when you raise the platform. Do not lower the platform unless the area below is clear of personnel and obstructions. If you do not obey, there is a risk of death or serious injury.

2. Raise the platform until there is adequate clearance to retract the **maintenance support** ①.
3. Retract the **maintenance support** into the storage bracket.
4. Fully lower the platform.

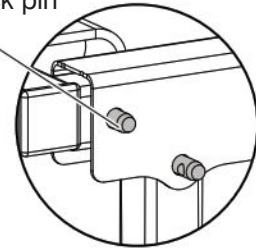


6.8 Guardrail lock-pin locations

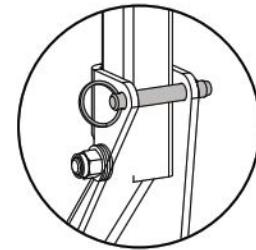
Example model SJ3219 E
with half gate



Extension deck pin

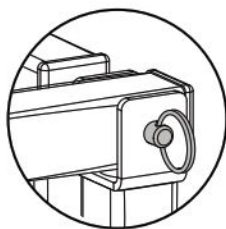


Extension handrail pin locations

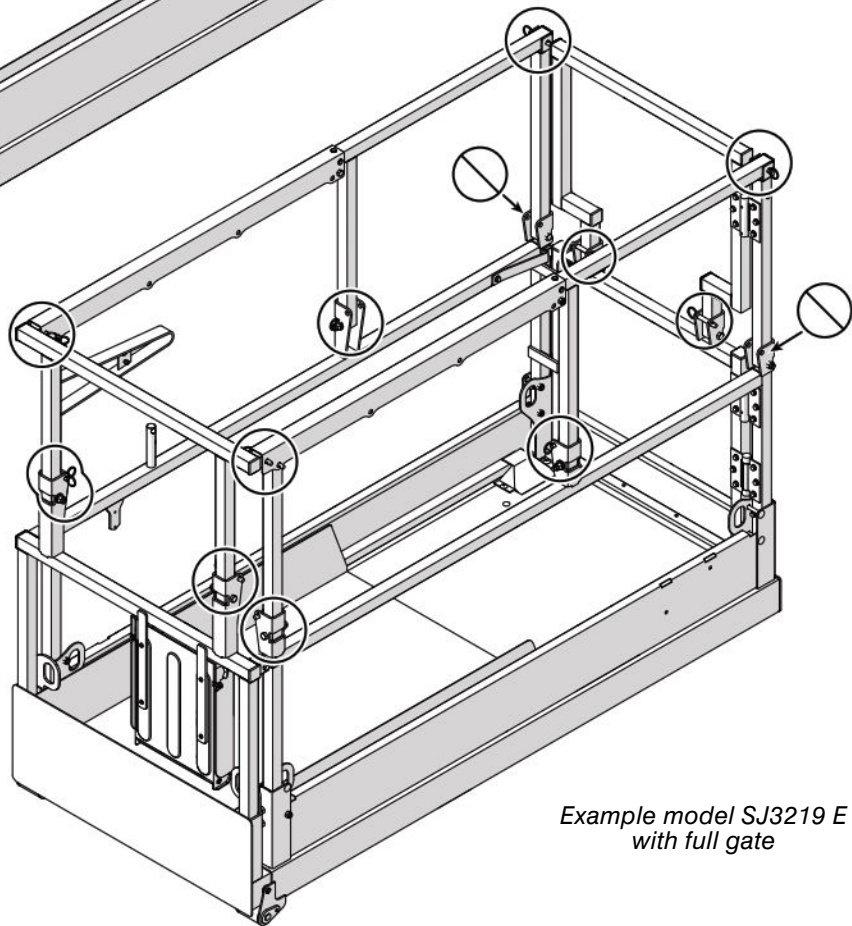


Mid-rail pin location

- Required
- ⊘ Not required



Rear gate pin location



Example model SJ3219 E
with full gate

Figure 04 Guardrail lock-pin locations - SJ3215 E, SJ3219 E

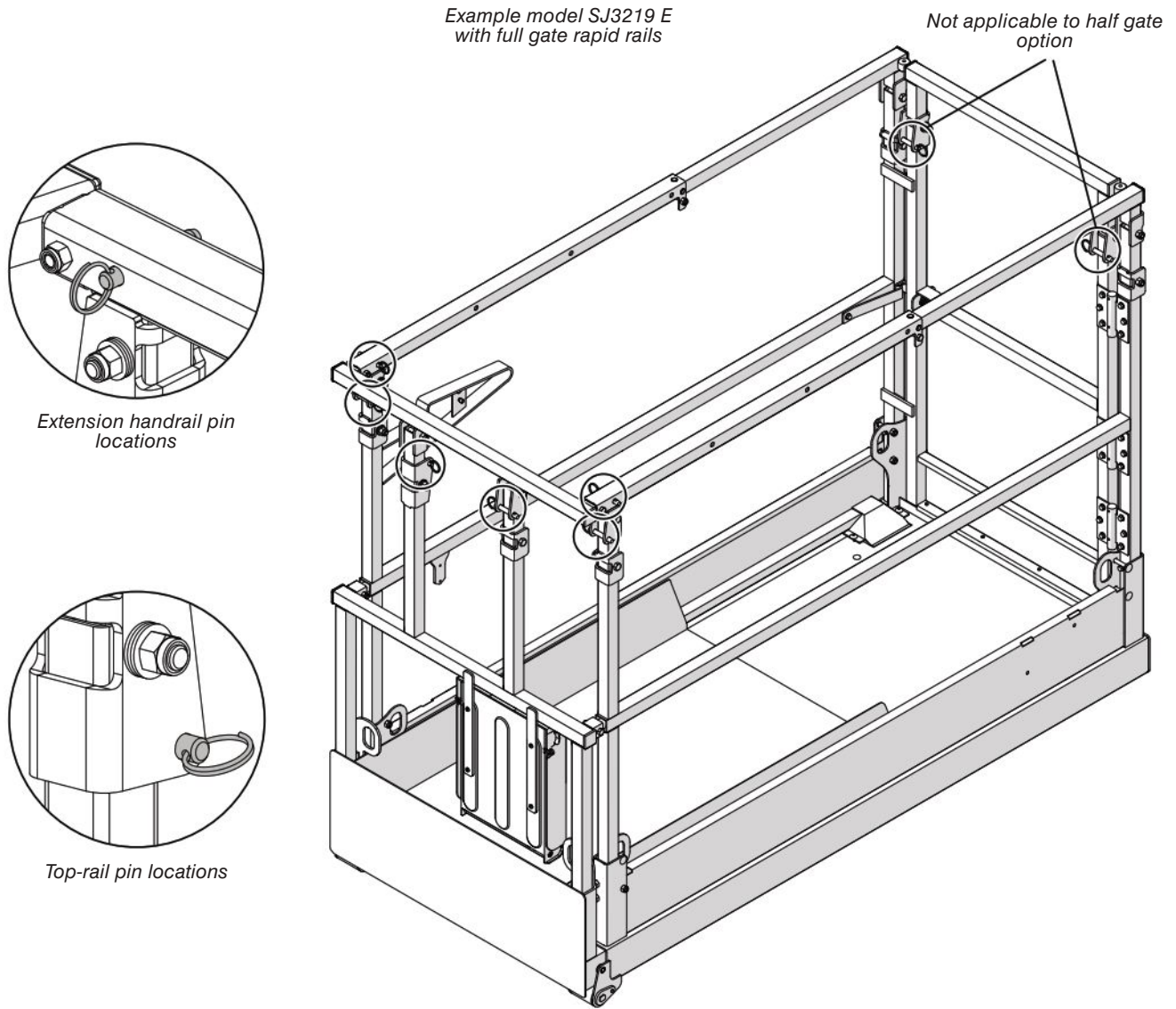


Figure 05 Rapidfold Guardrail lock-pin locations - SJ3219 E

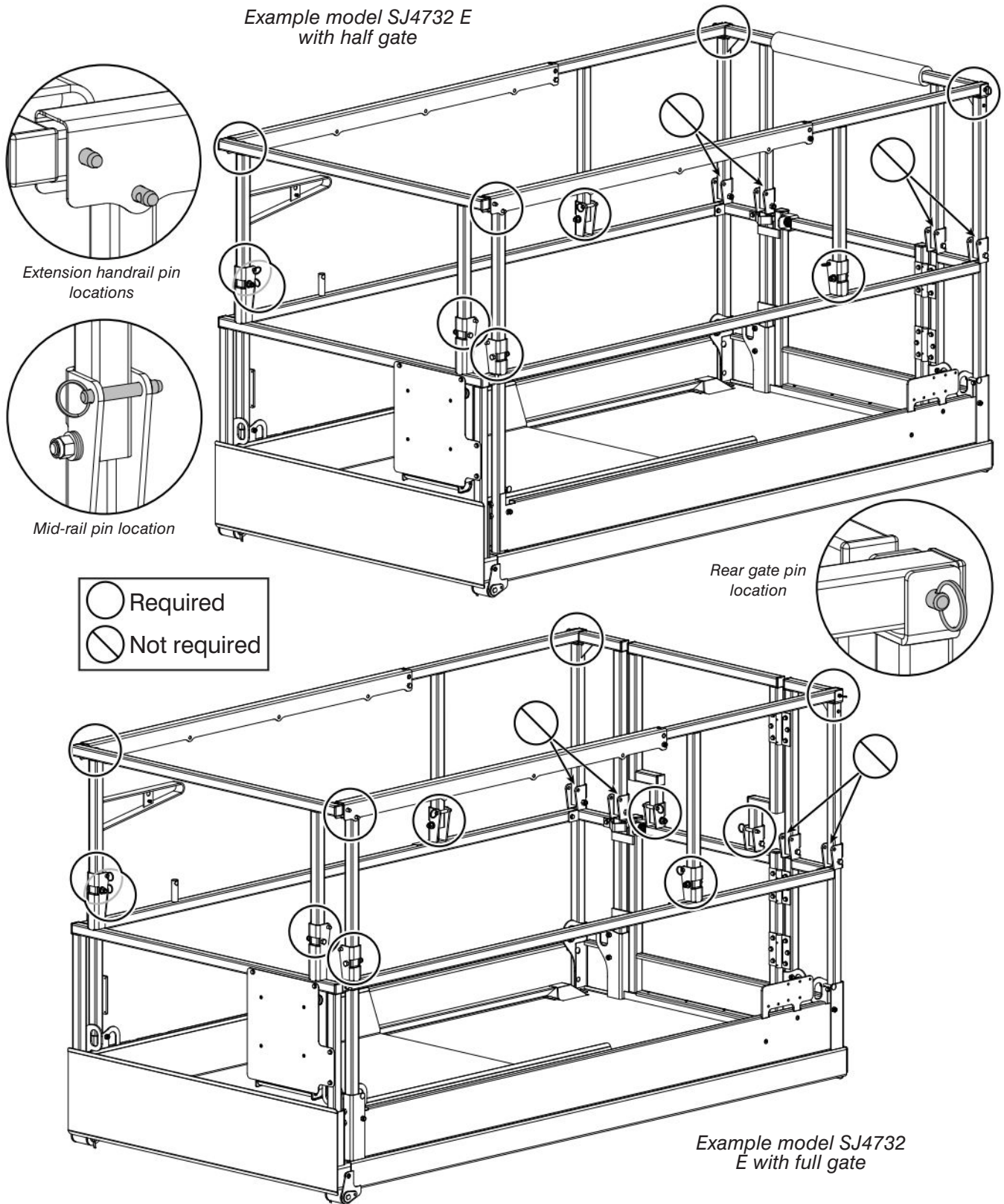


Figure 06 Guardrail lock-pin locations - SJ4726 E, SJ4732 E

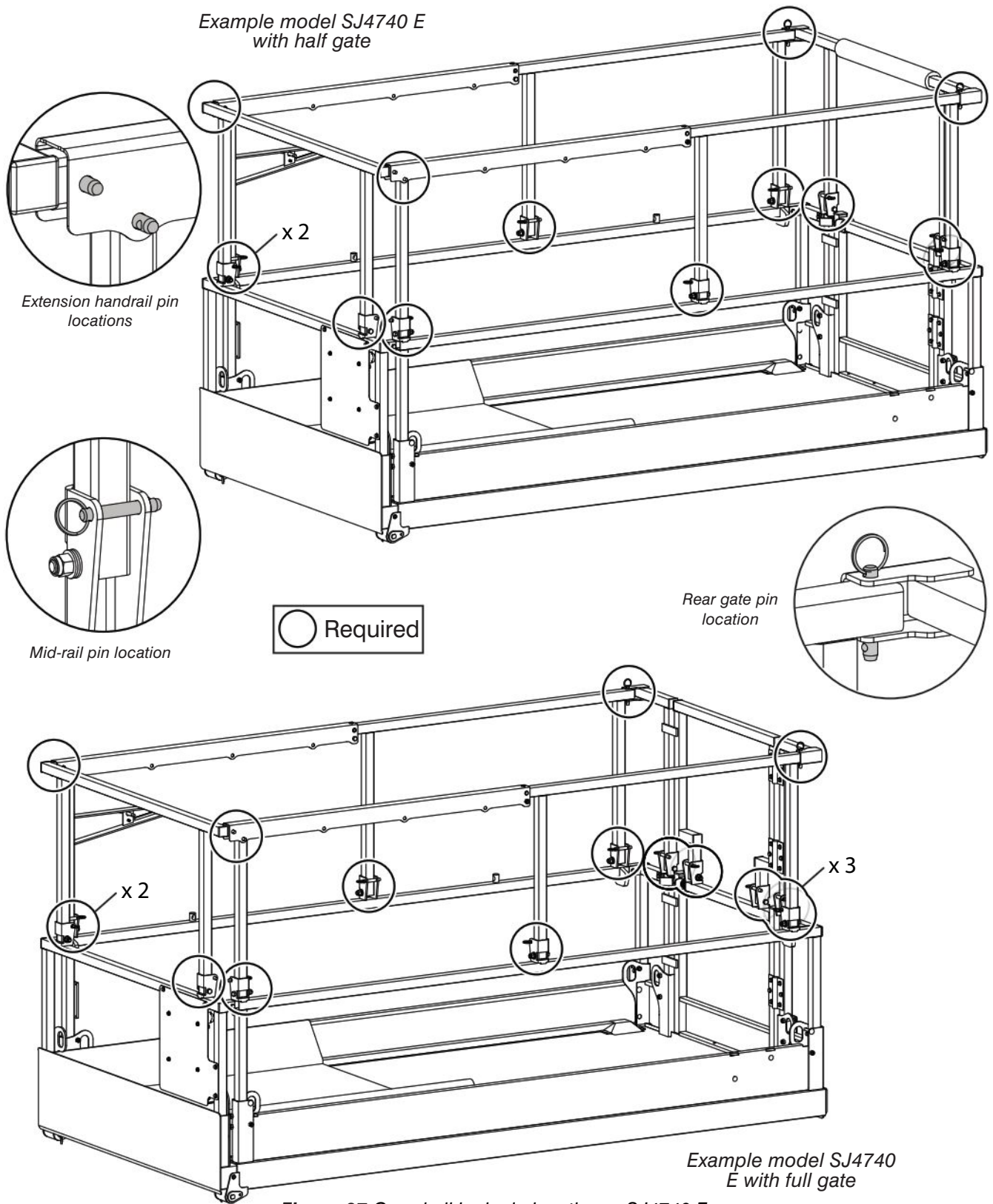


Figure 07 Guardrail lock-pin locations - SJ4740 E

6.9 Fold the guardrails

When folded down, the guardrail system decreases the total height of the retracted MEWP for transport or moving through doorways.

⚠ WARNING

Fall hazard. To prevent a fall, keep away from the sides of the platform when you fold or unfold the guardrails. If you do not obey, there is a risk of death or serious injury.

⚠ WARNING

Before you operate this MEWP, make sure that the guardrail system does not have loose or missing lock pins. The guardrail system must be in the vertical position. Lock all pins correctly. An incorrectly locked guardrail can cause a fall, which can result in death or serious injury.

⚠ WARNING

Fall hazard. Use the three points of contact principle when you use the MEWP ladder to enter or exit the platform. If you do not obey, there is a risk of death or serious injury

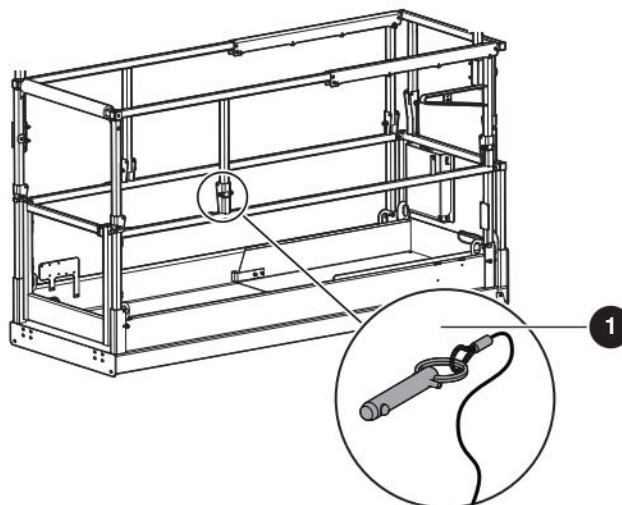
Refer to the diagrams shown in this section to fold the guardrails.

Unless specifically noted otherwise, make sure the following conditions are true before you do this procedure:

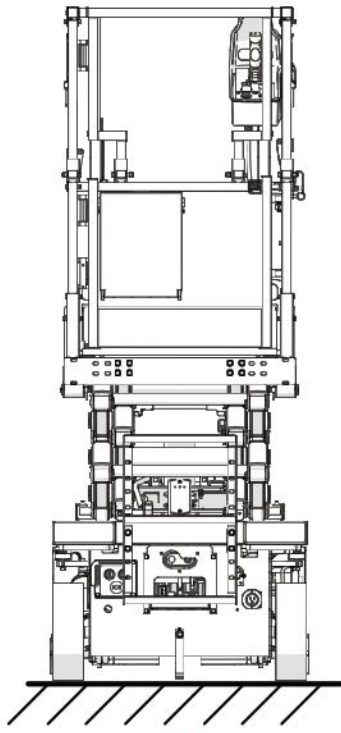
1. Fully lower the platform before you fold or unfold the guardrails.
2. Install each lock-pin correctly with the detent ball of each lock-pin fully through the bracket or railing clamp.
3. Use a stable elevated surface that gives you a solid footing to fold or unfold the guardrails.
4. You must be at eye-level height (at a minimum) to the mid-rail.
5. You must have your hands free to fold or unfold the guardrails from the external side of the MEWP.

NOTE

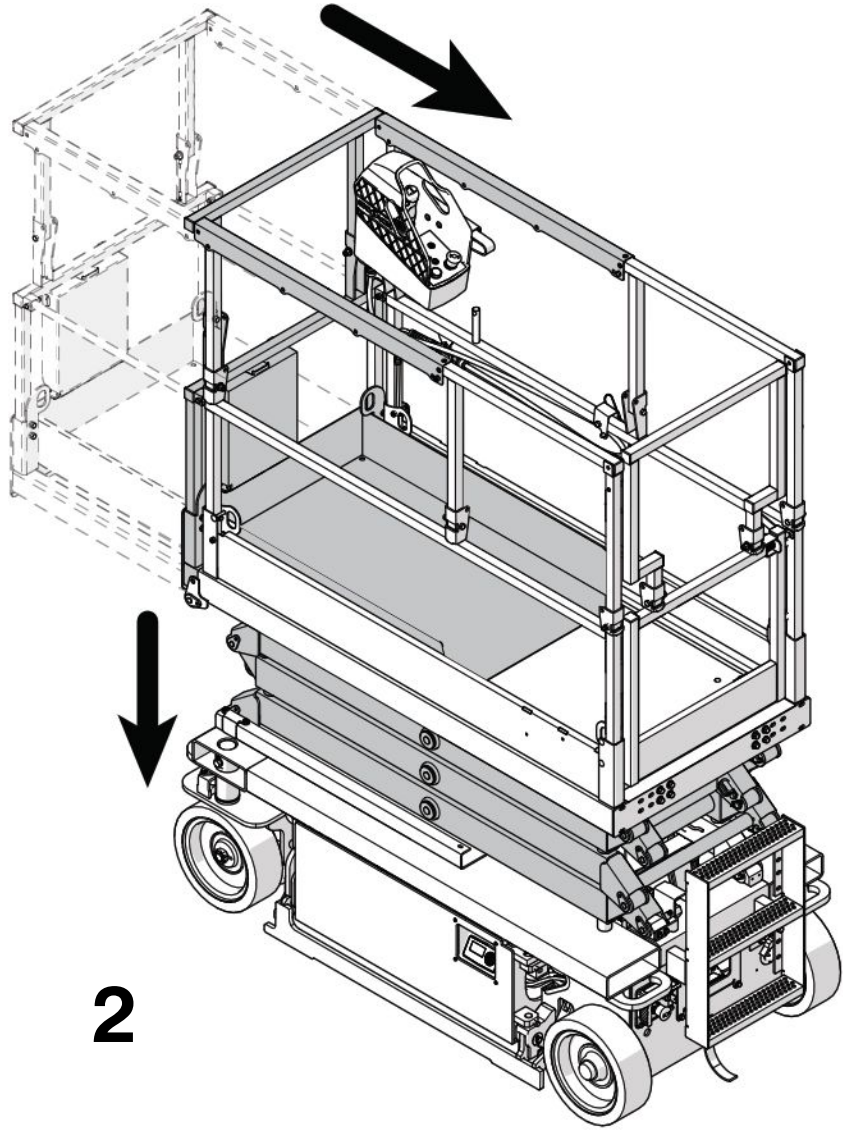
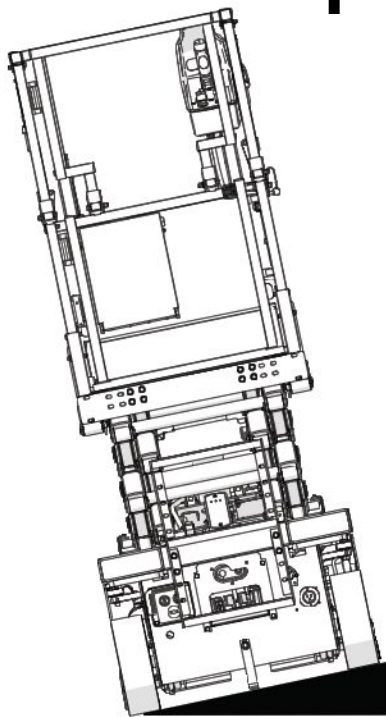
When you transport the MEWP, you must insert all the lock pins and put tie-wraps on the folded guardrails to prevent movement.



- 1 Guardrail lock pin with lanyard:** Use this pin to lock the guardrails. Refer to [Section 6.8](#).

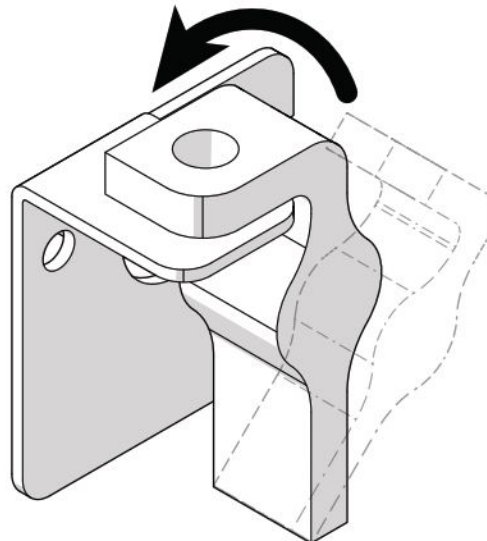


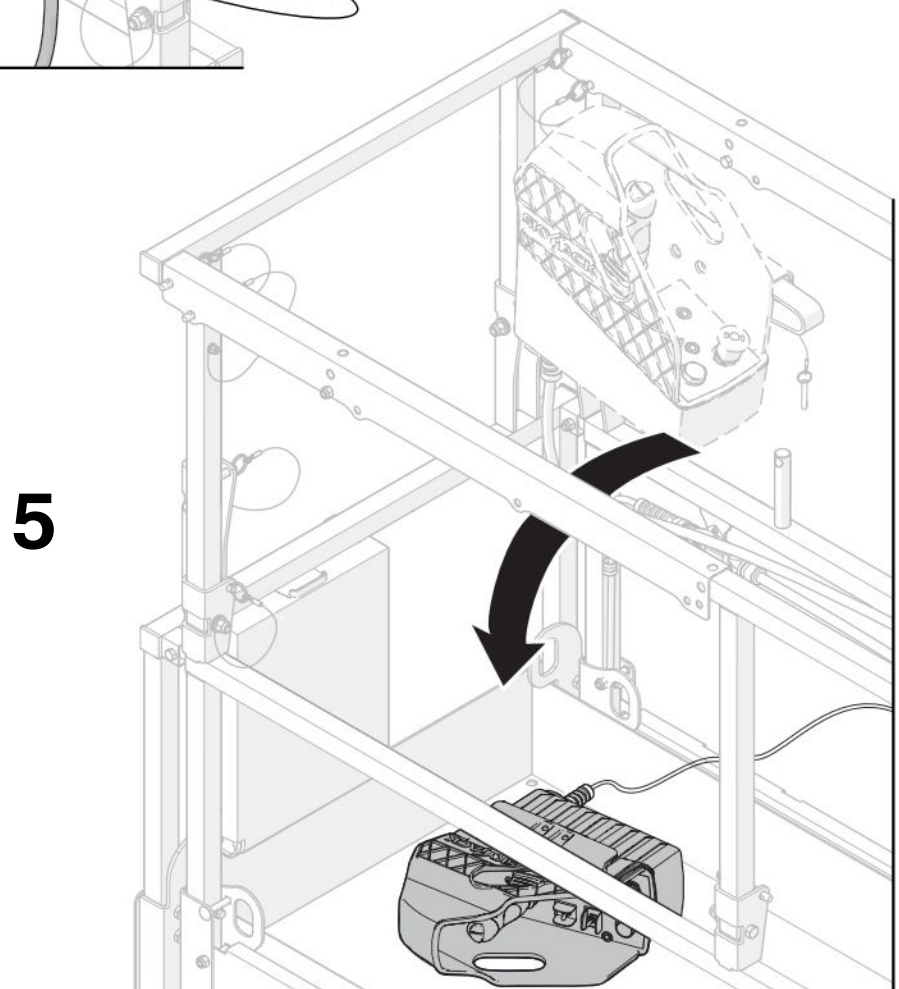
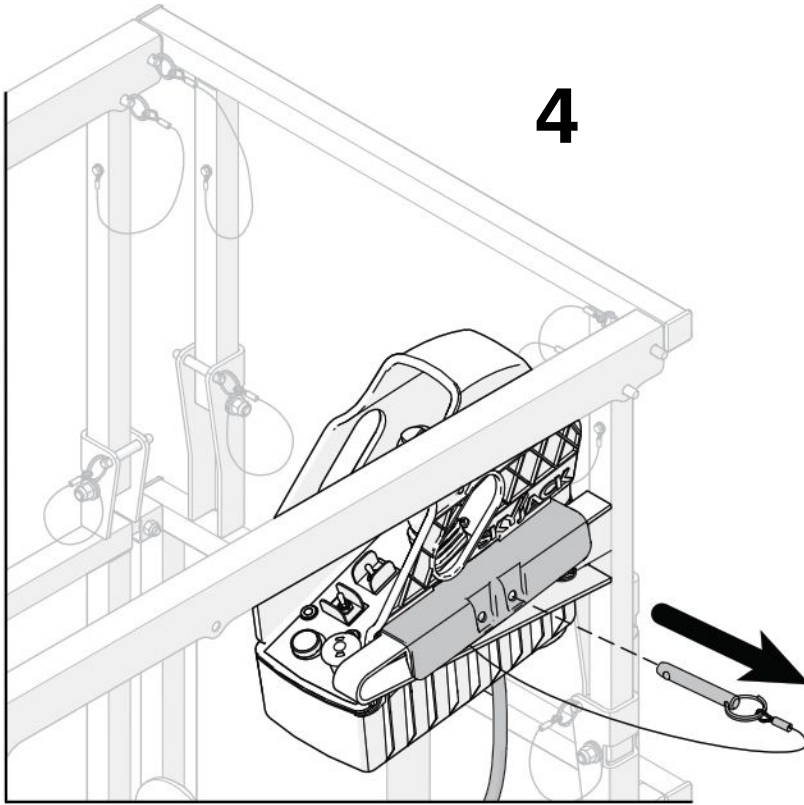
1

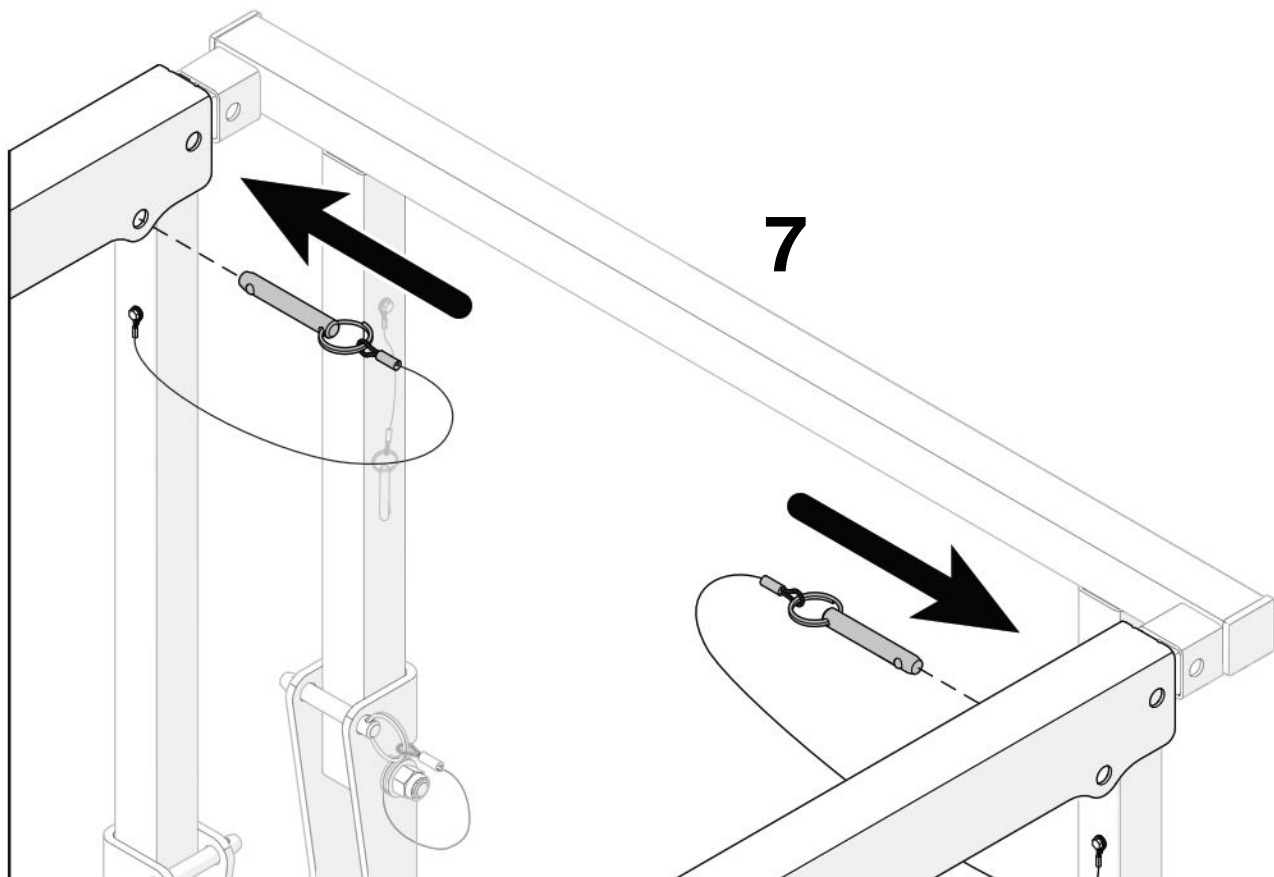
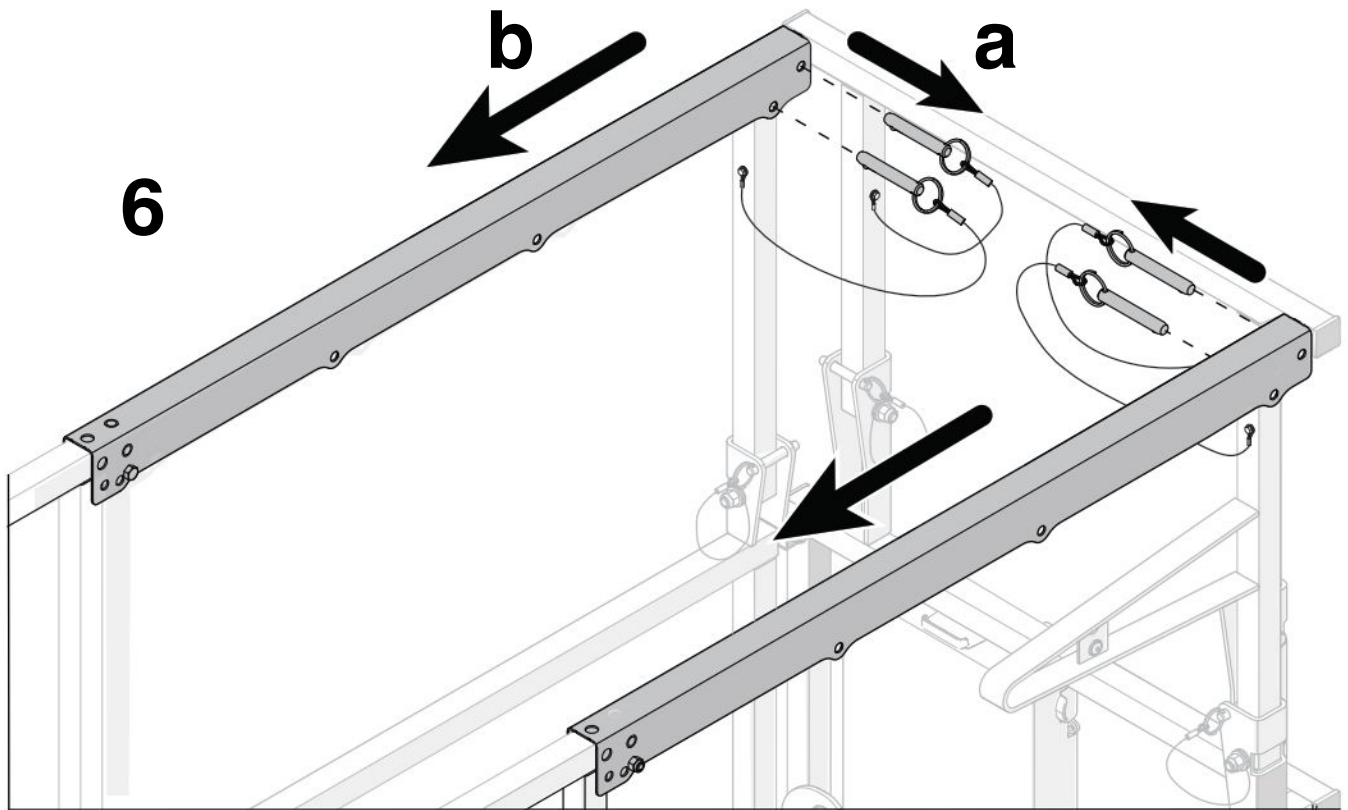


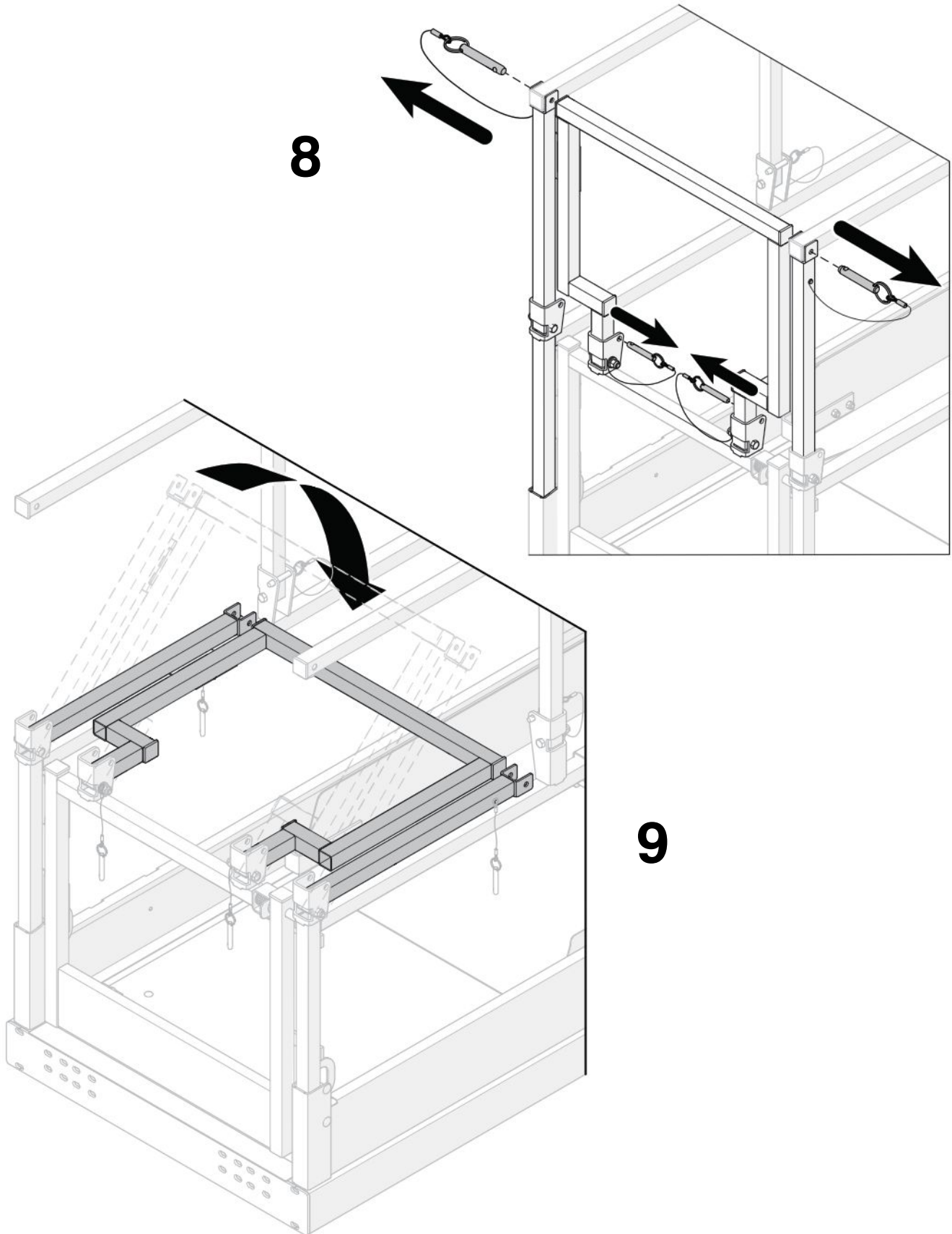
2

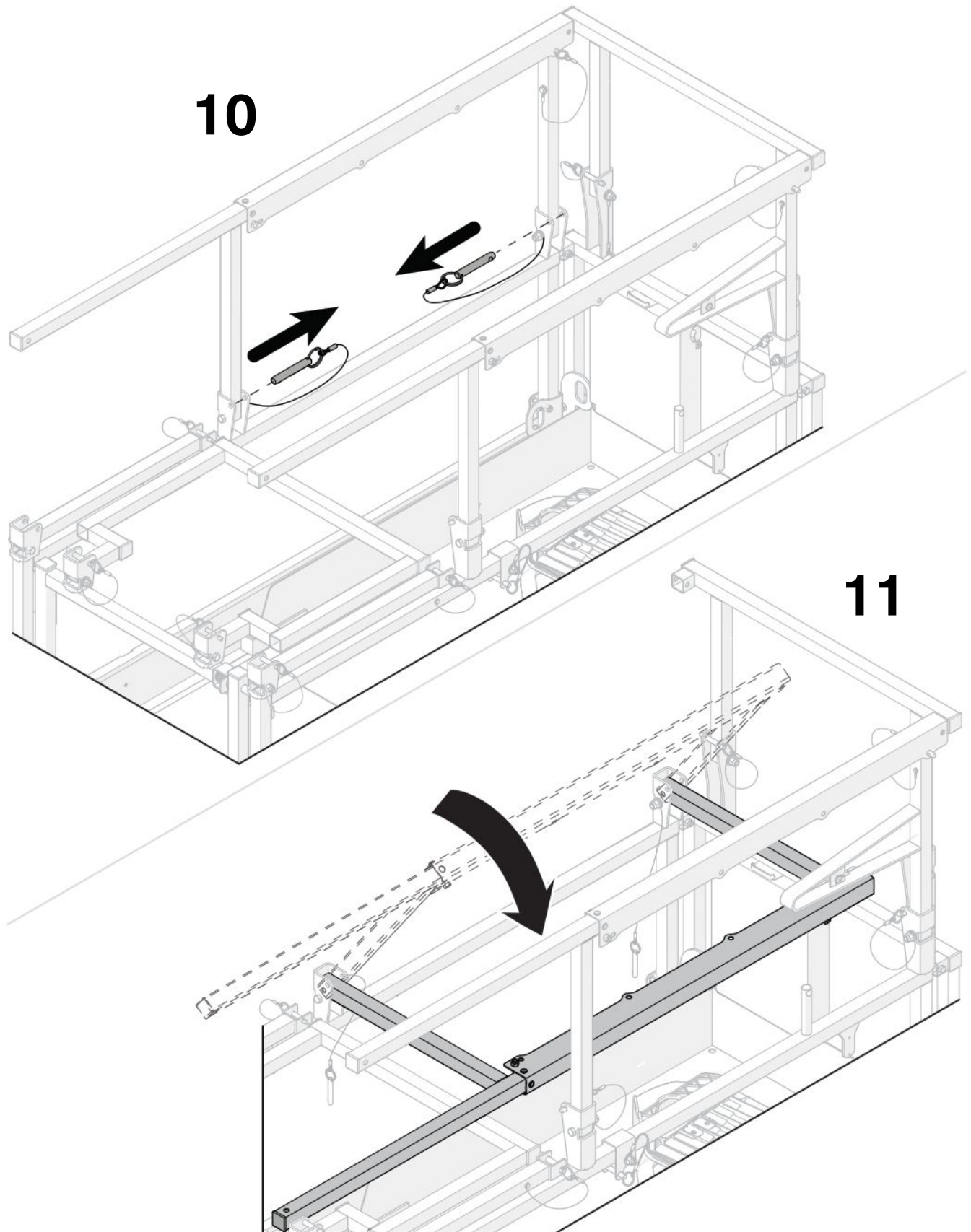
3

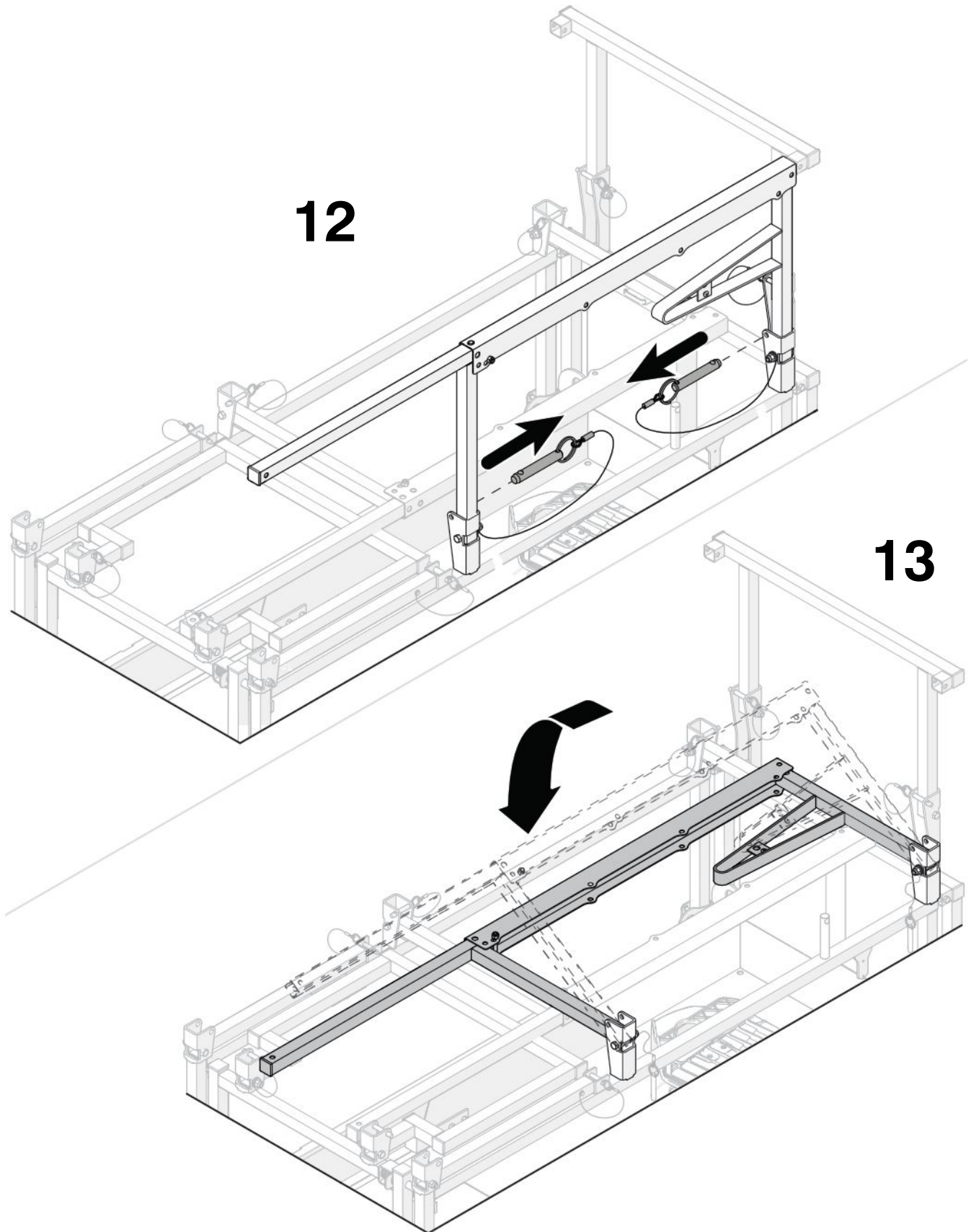


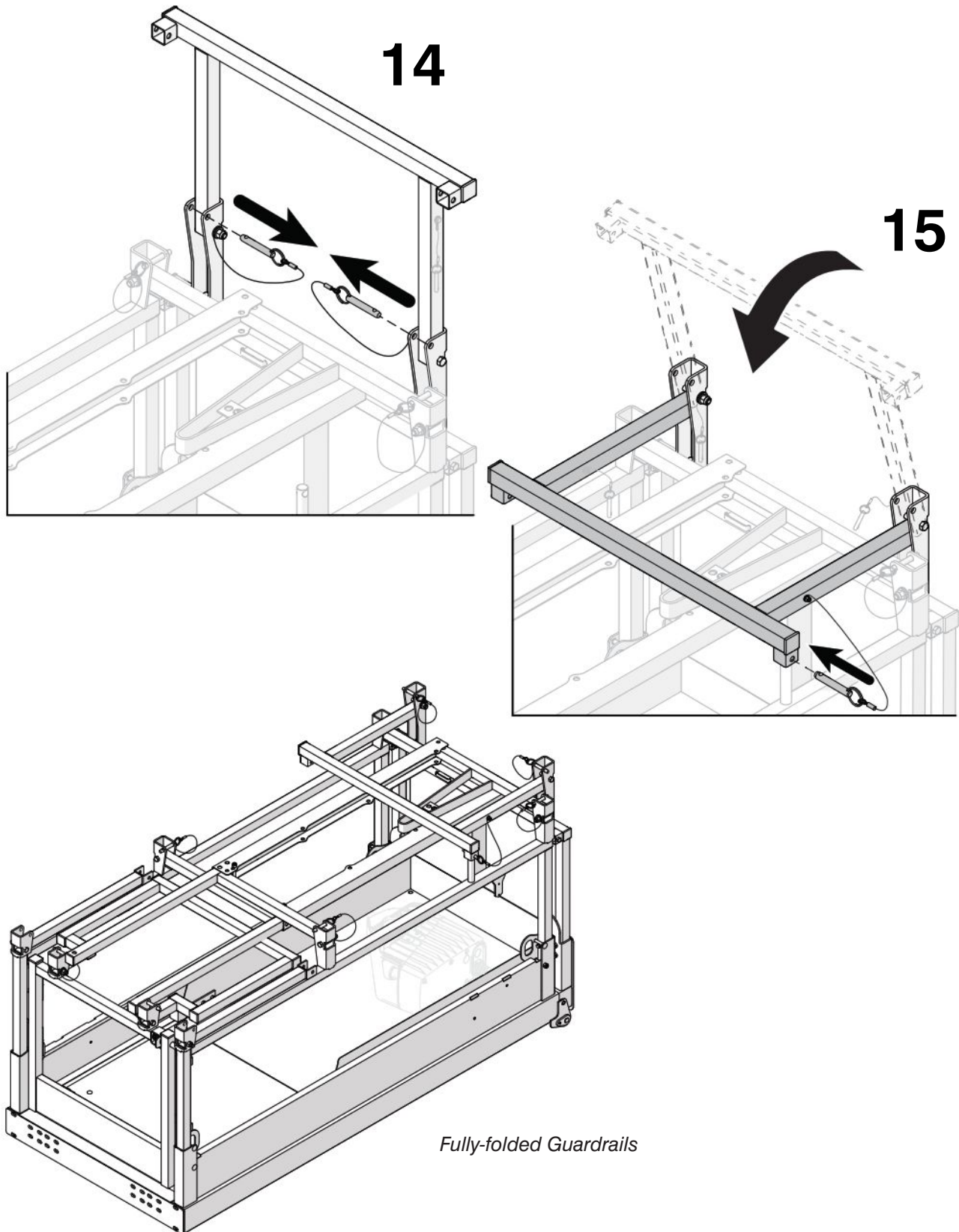






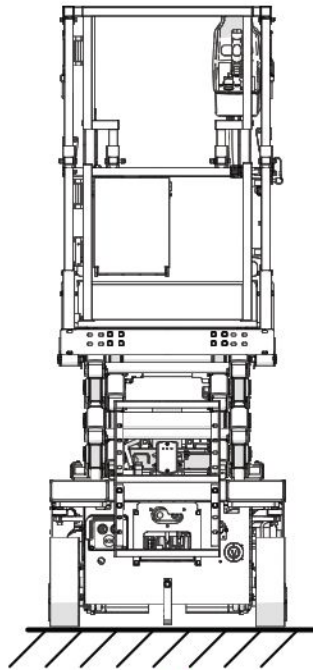




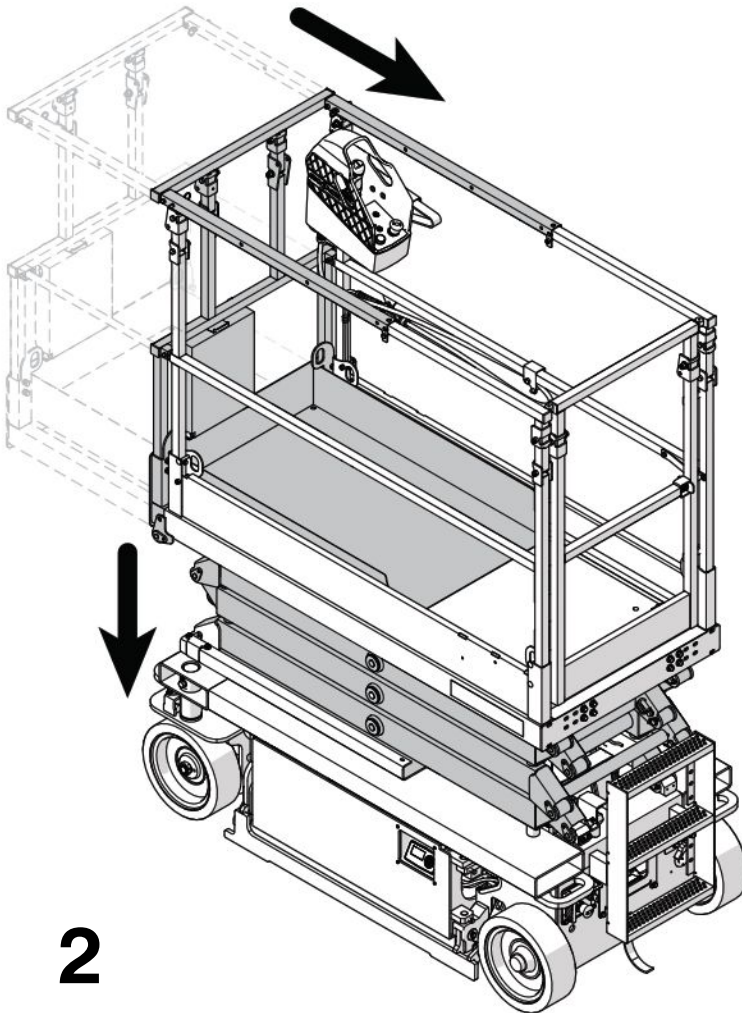
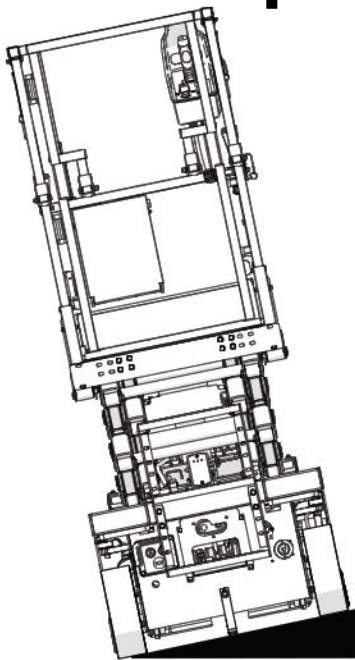


6. Follow the same steps shown in the illustrations in [Section 6.9](#) in reverse (Step 15 to Step 1) to unfold the guardrails.

6.10 Fold the Rapidfold guardrail system

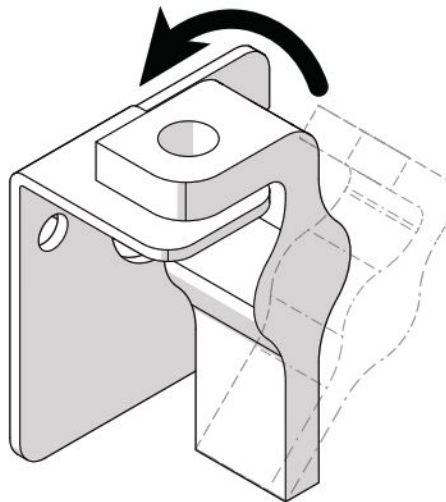


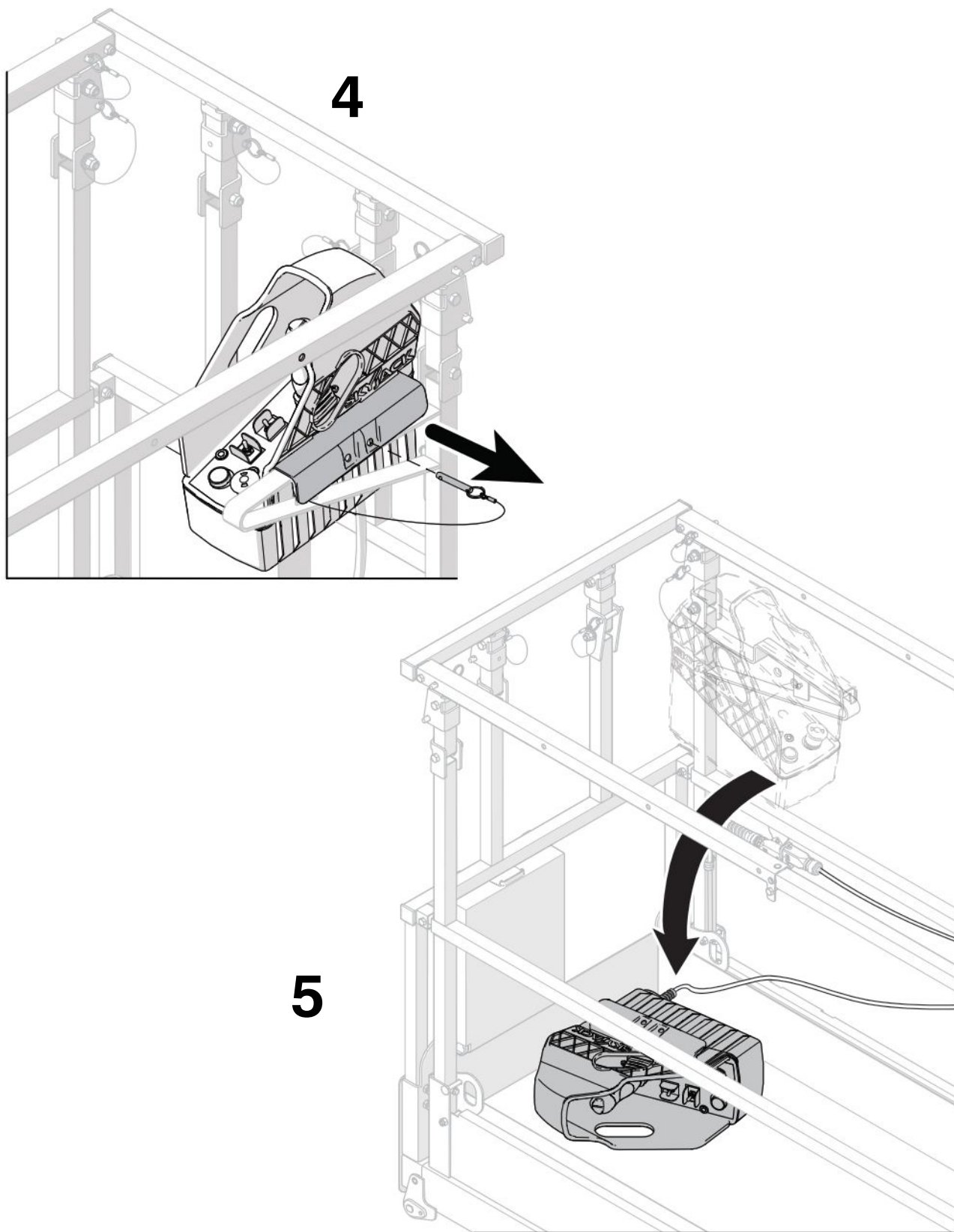
1

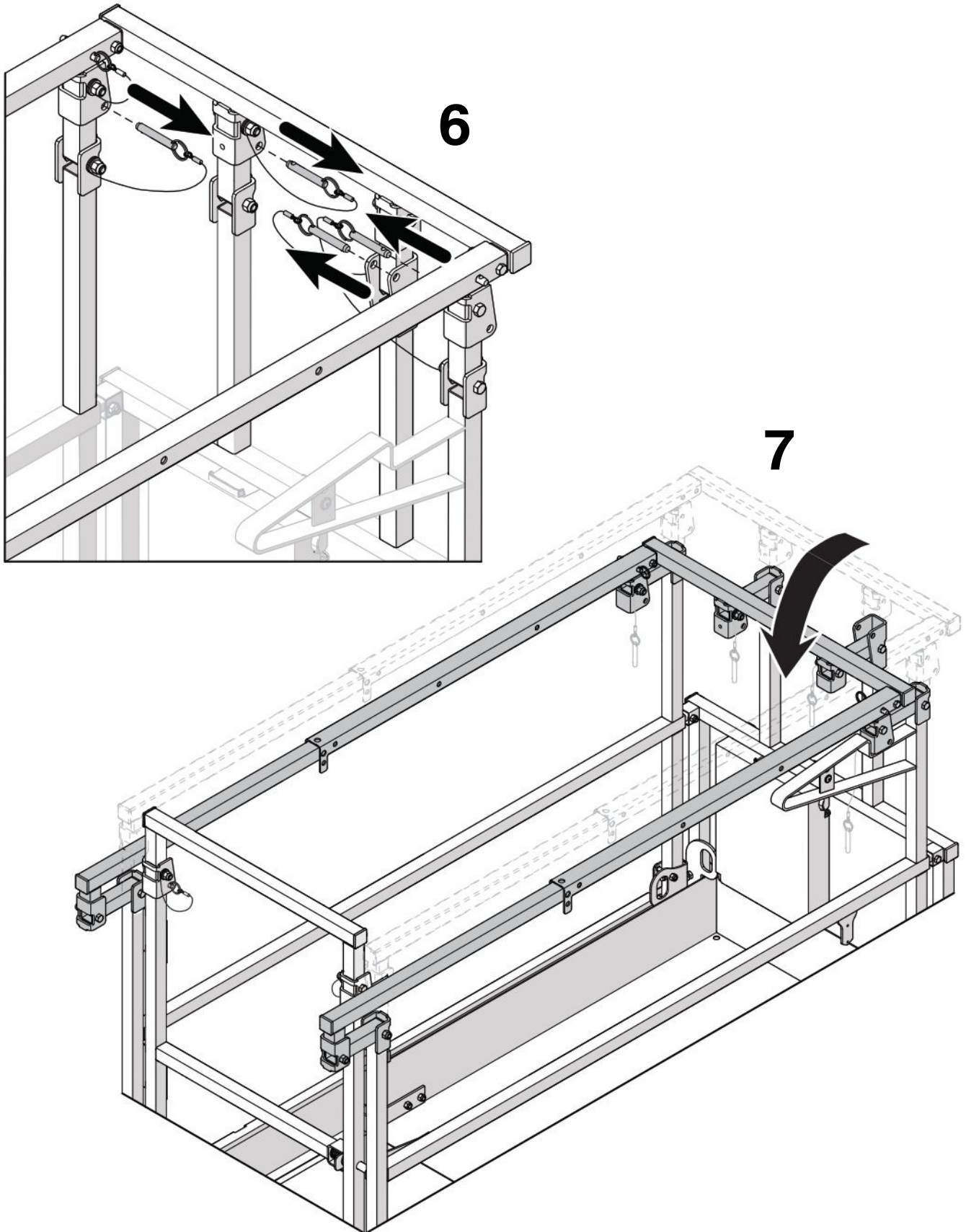


2

3

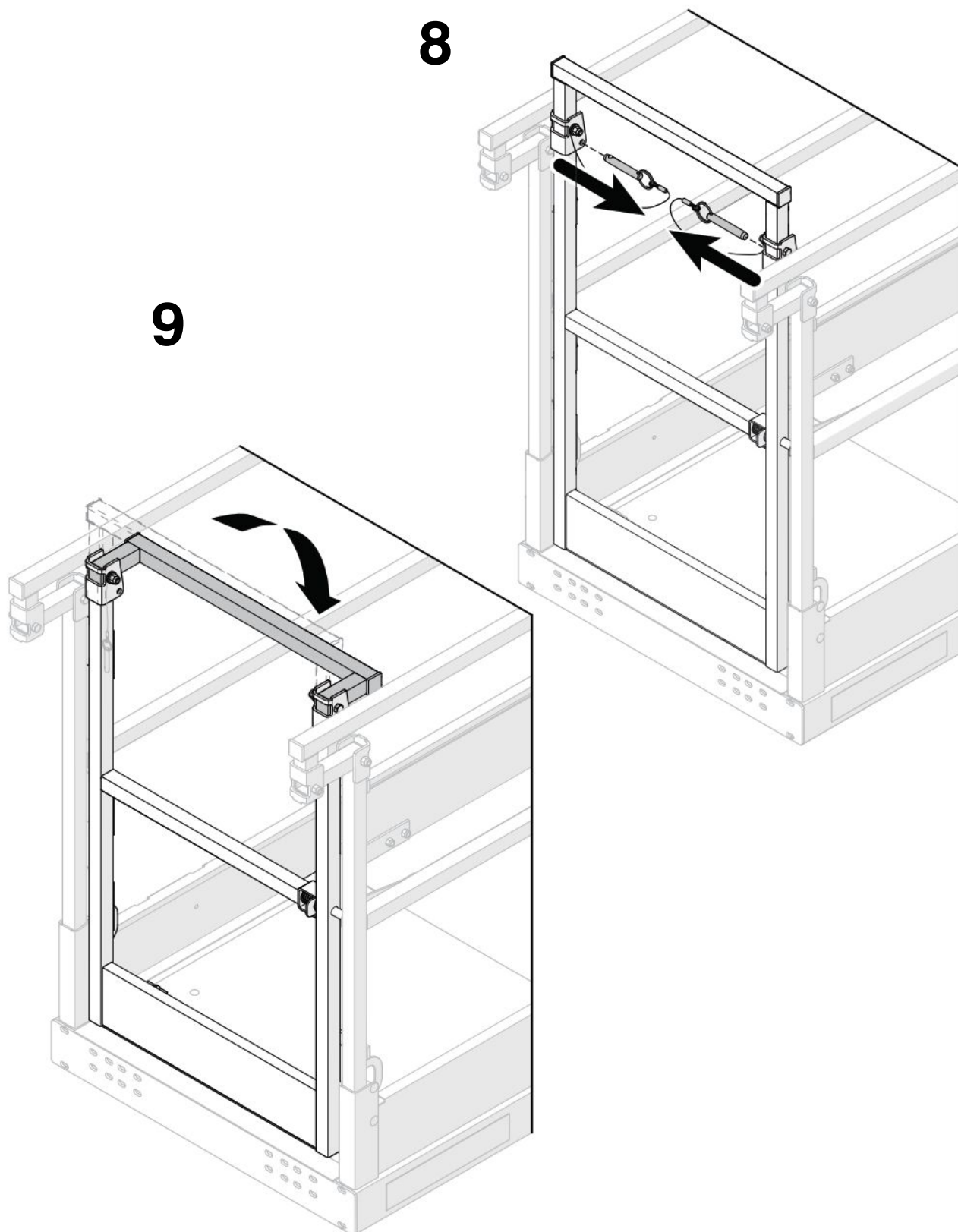


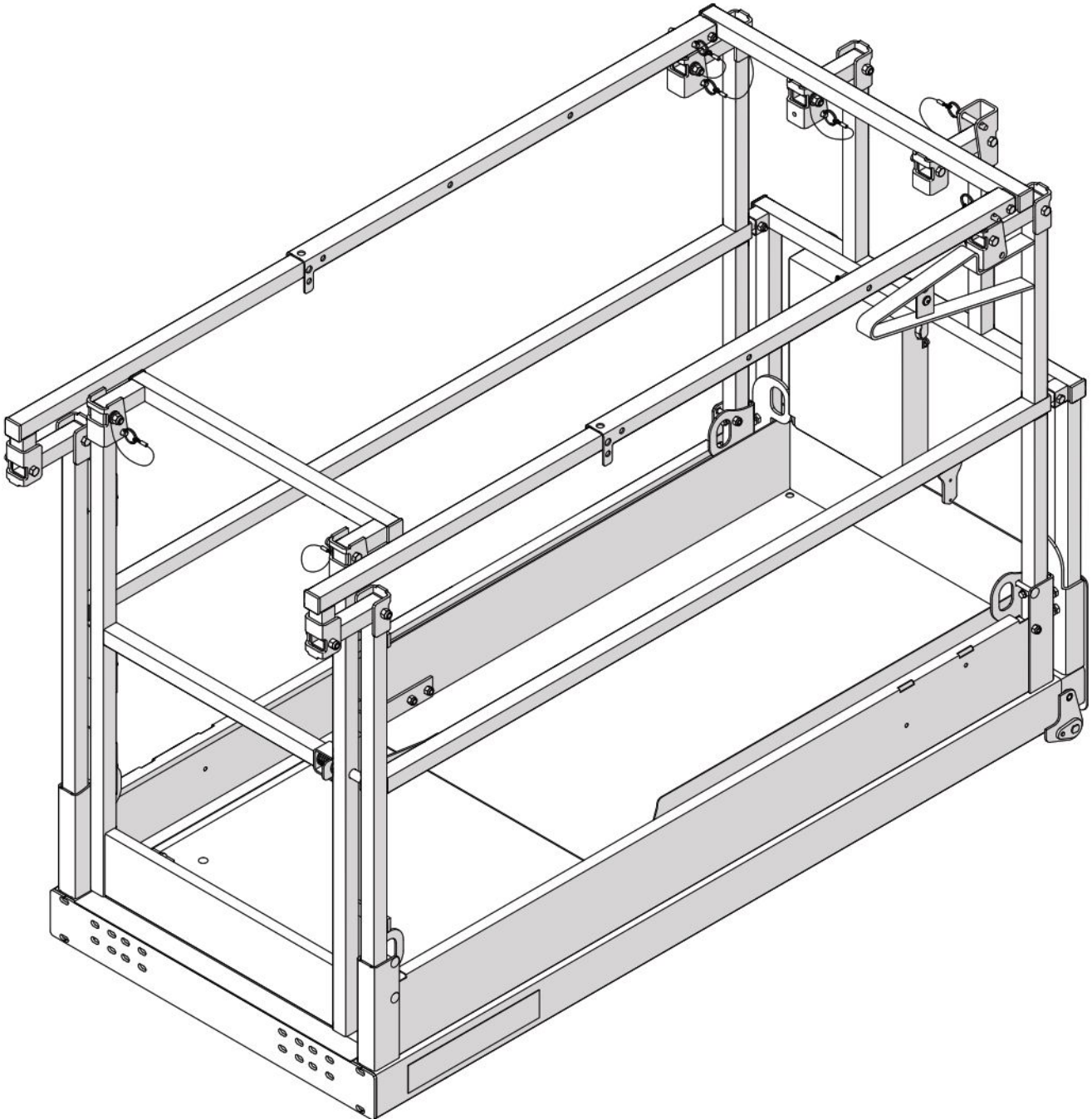




 **NOTE**

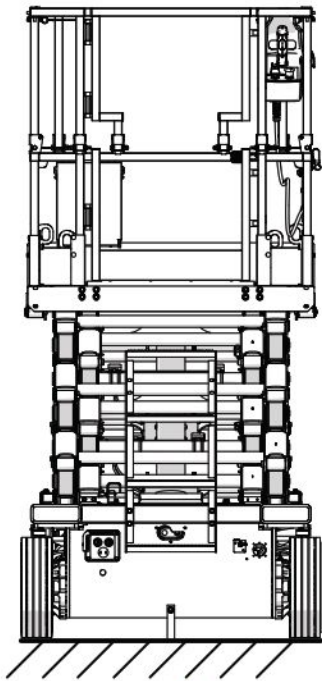
Make sure to exit the platform to perform the remaining rapidfold procedure after step 7.



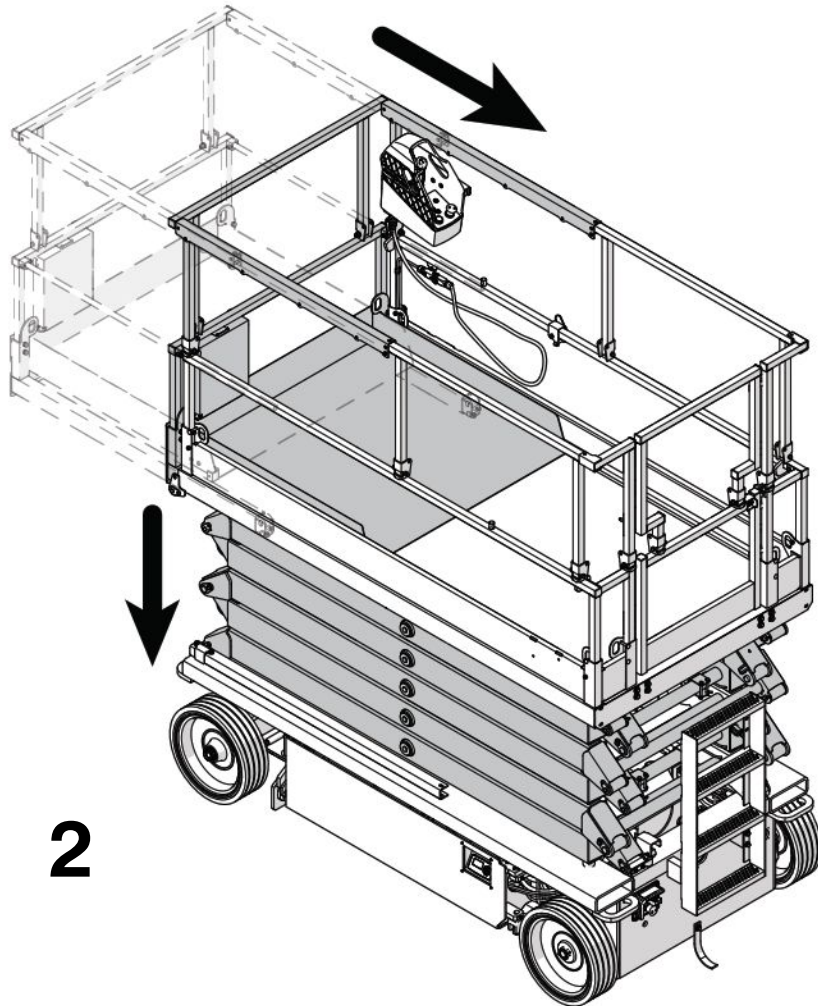
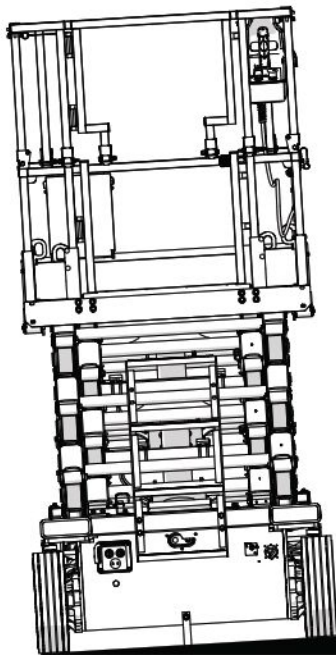
RapidFold Guardrails

1. Follow the same steps shown in the illustrations in [Section 6.10](#) in reverse (Step 9 to Step 1) to unfold the rapidfold guardrails.

6.11 Fold the guardrail system (SJ4740 E)

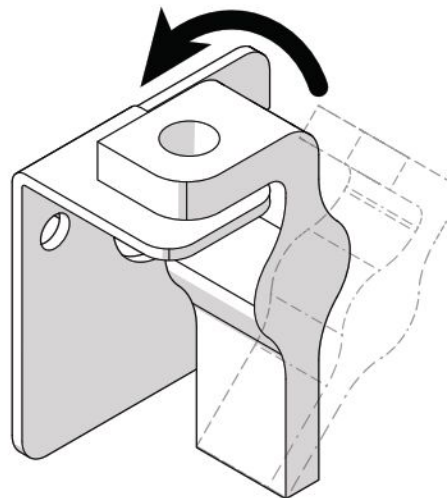


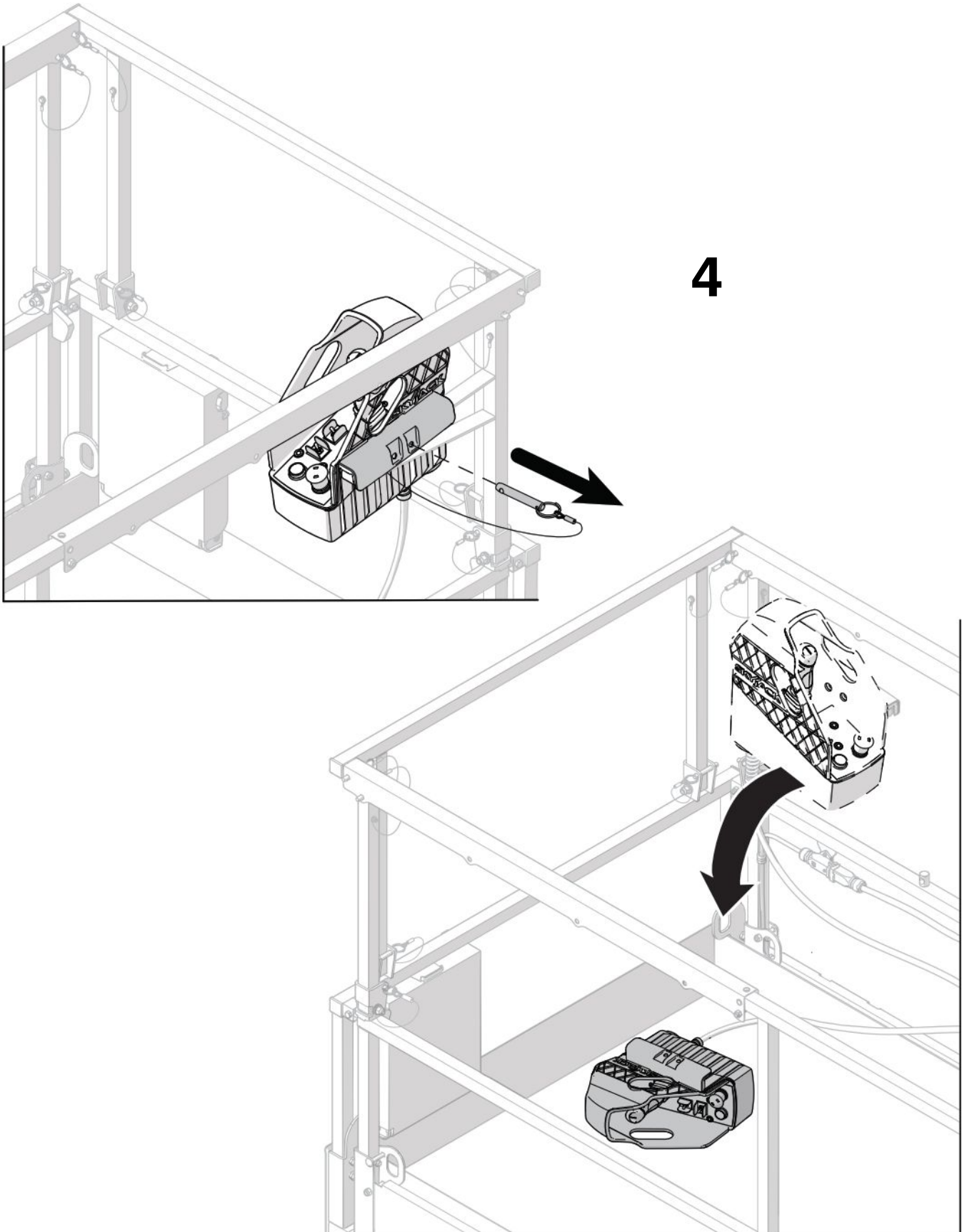
1

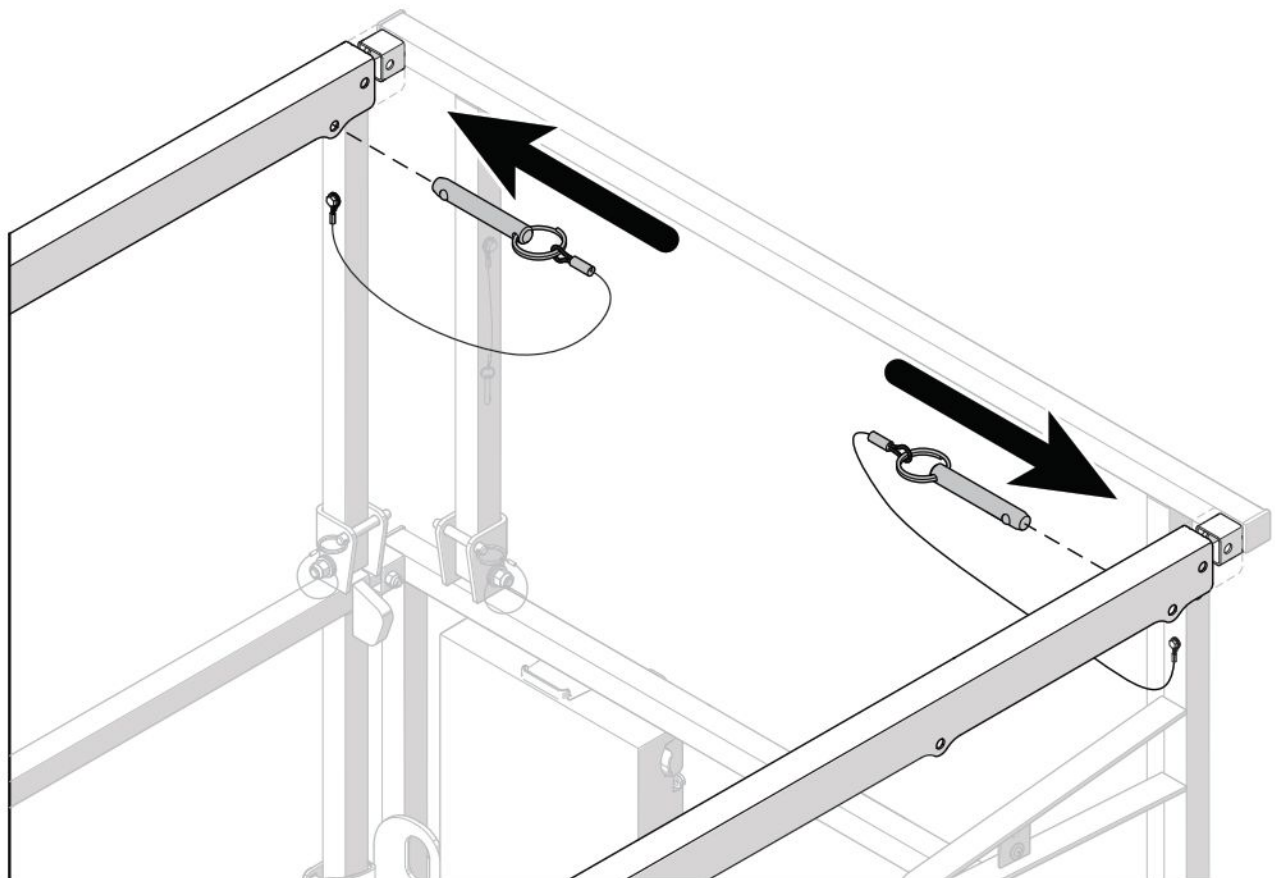
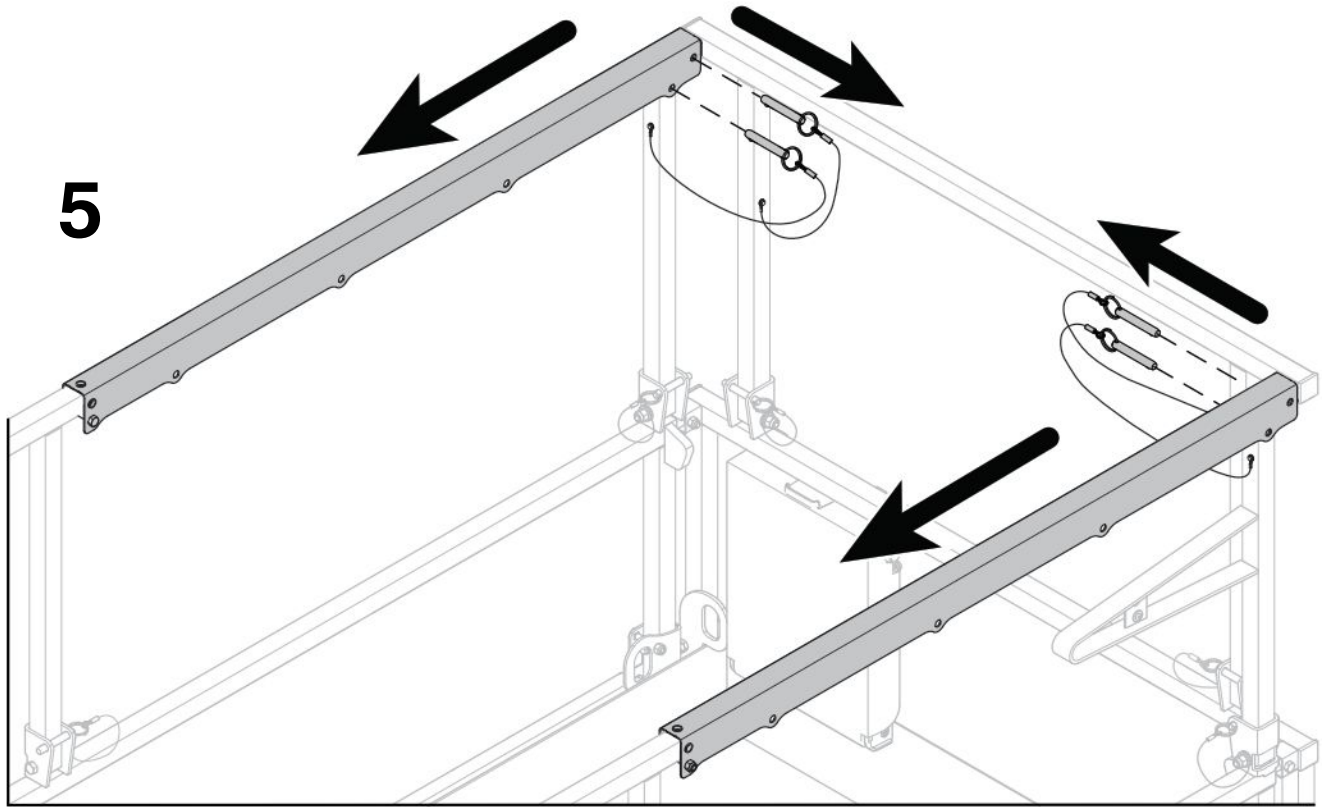


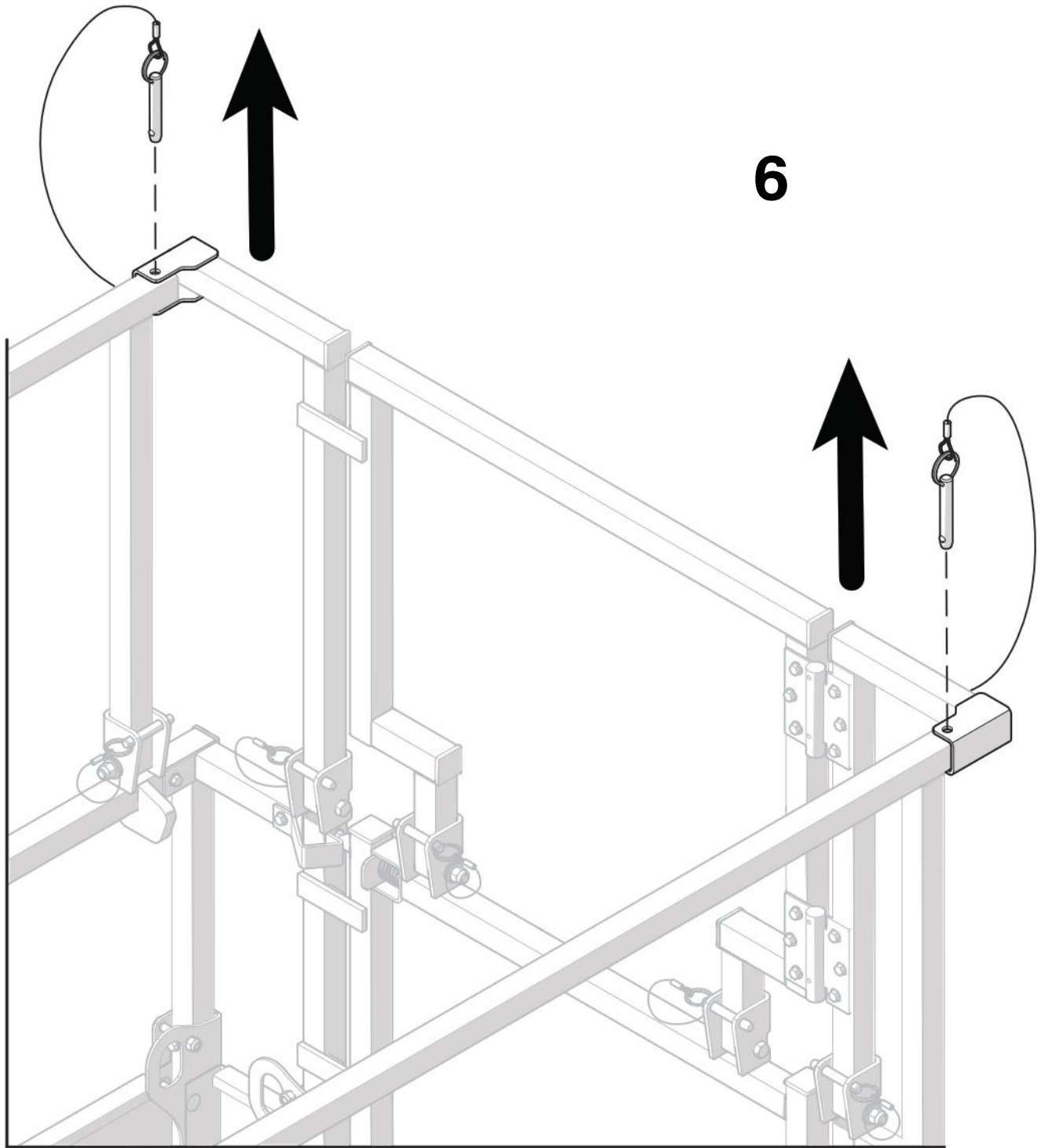
2

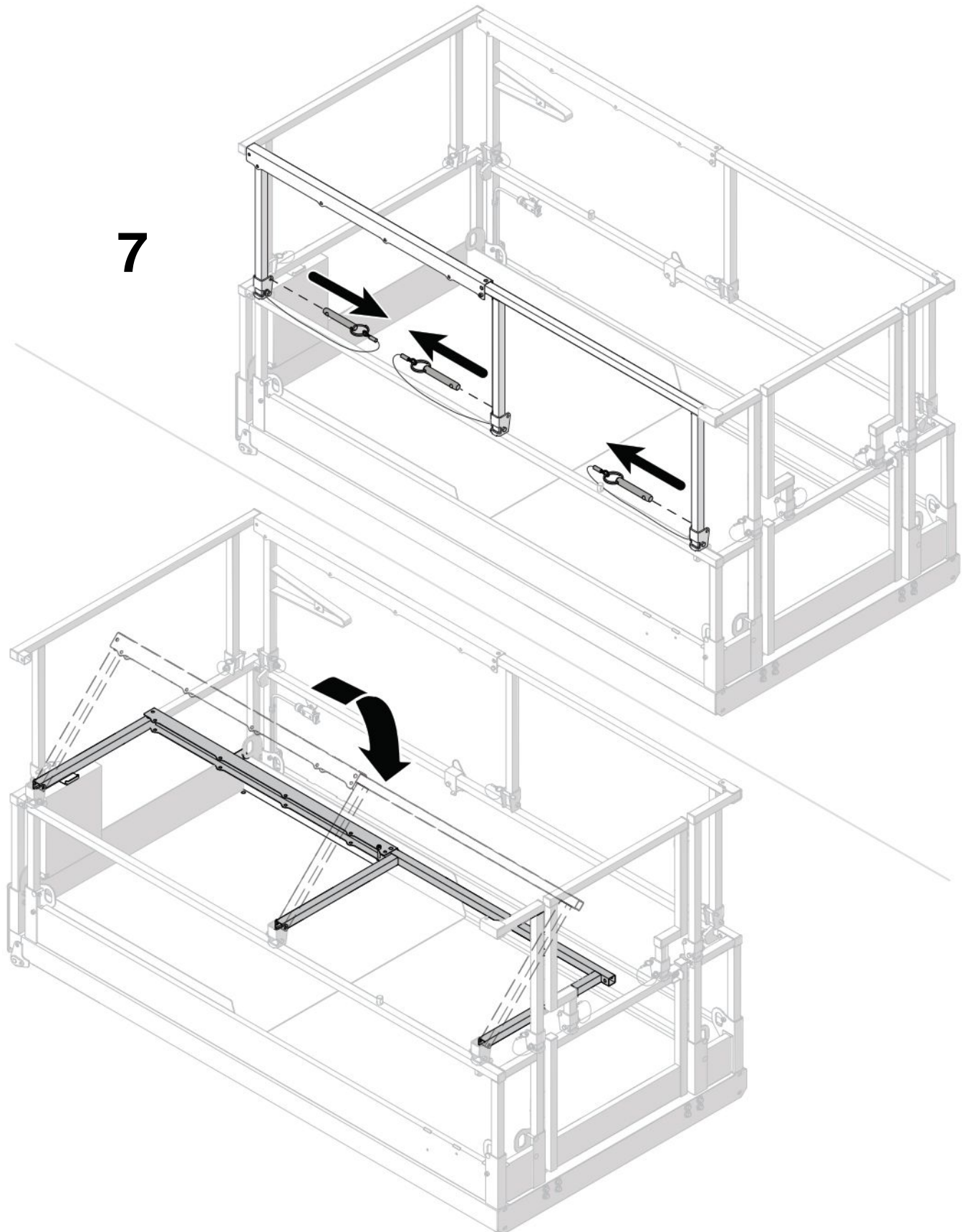
3

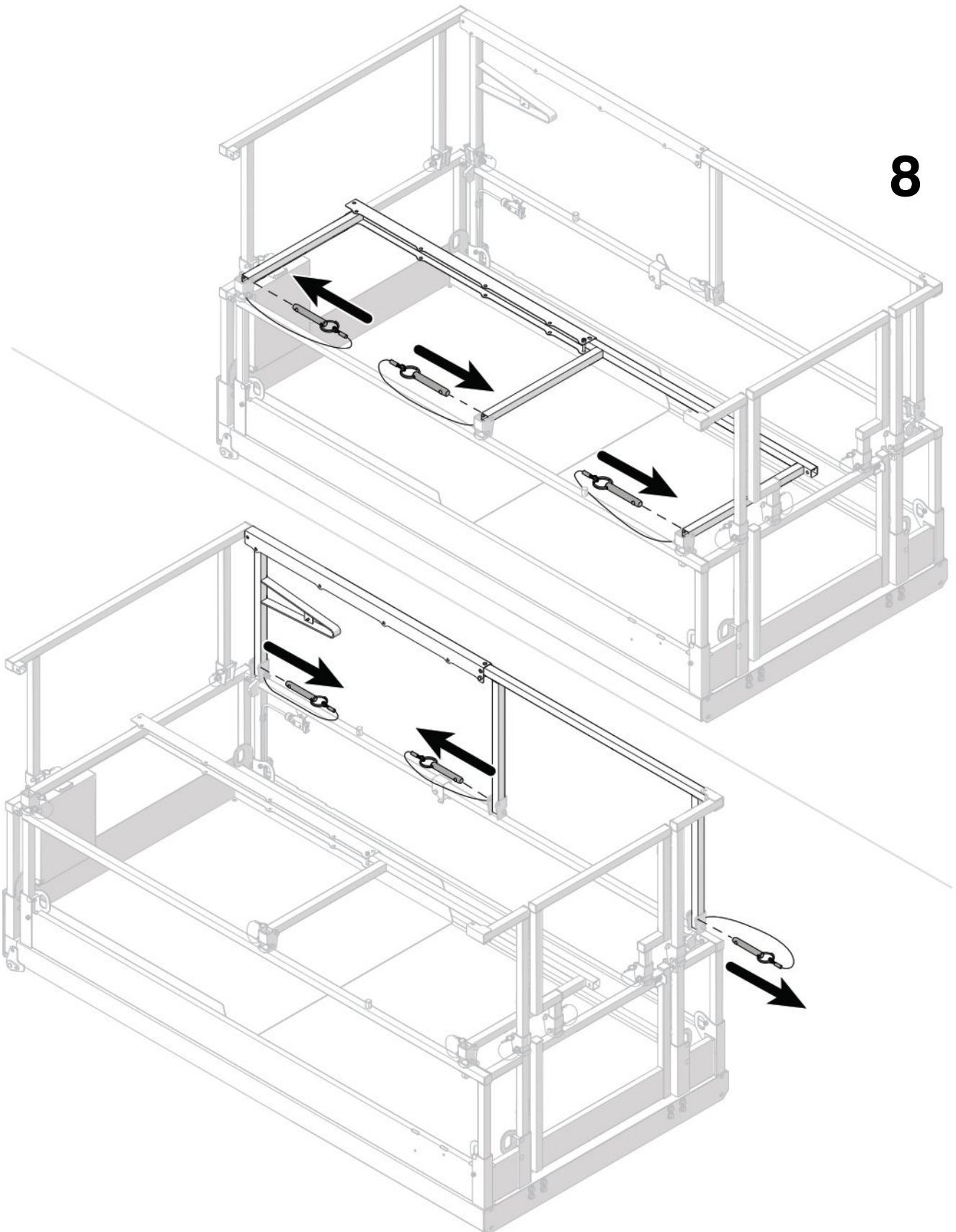






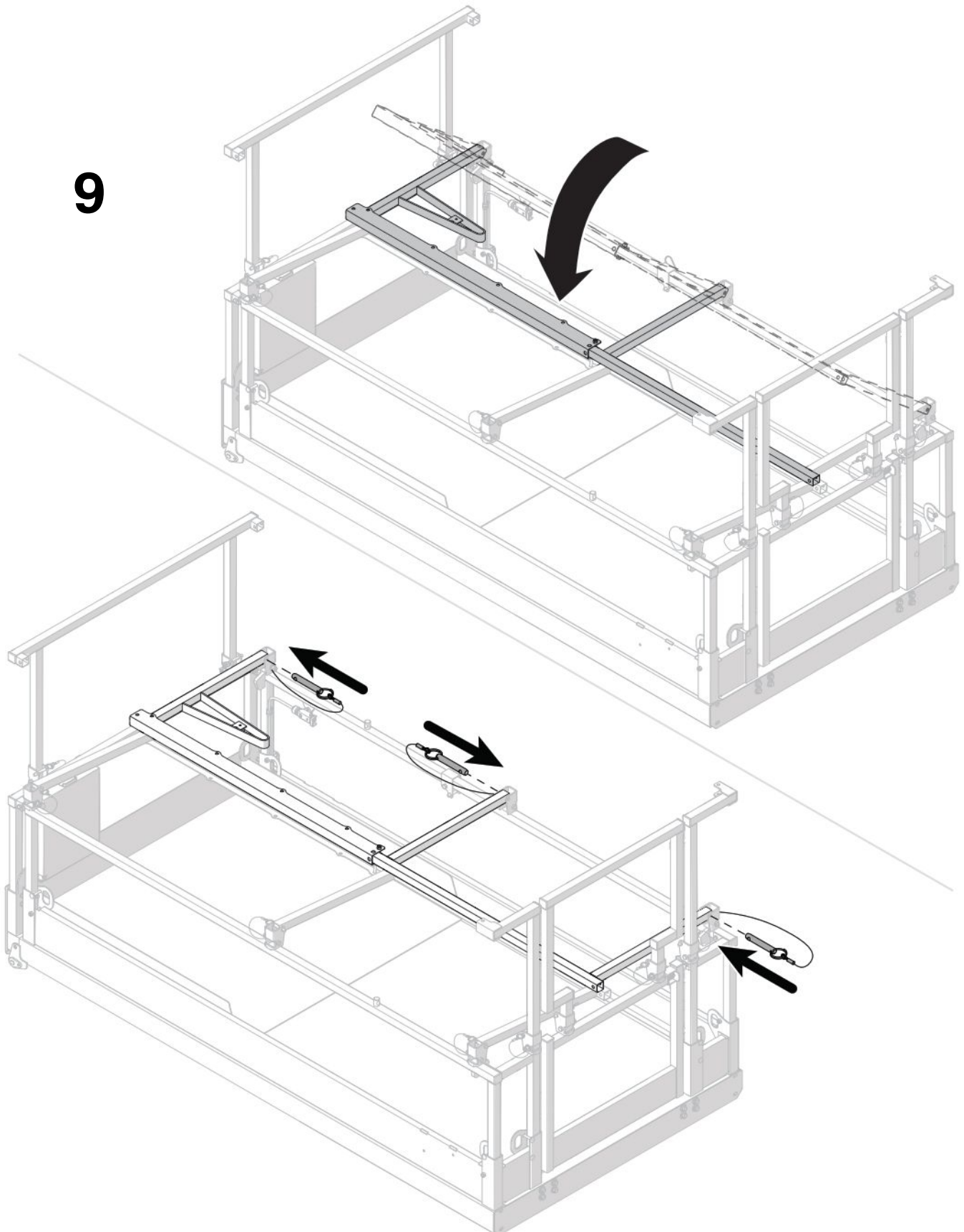


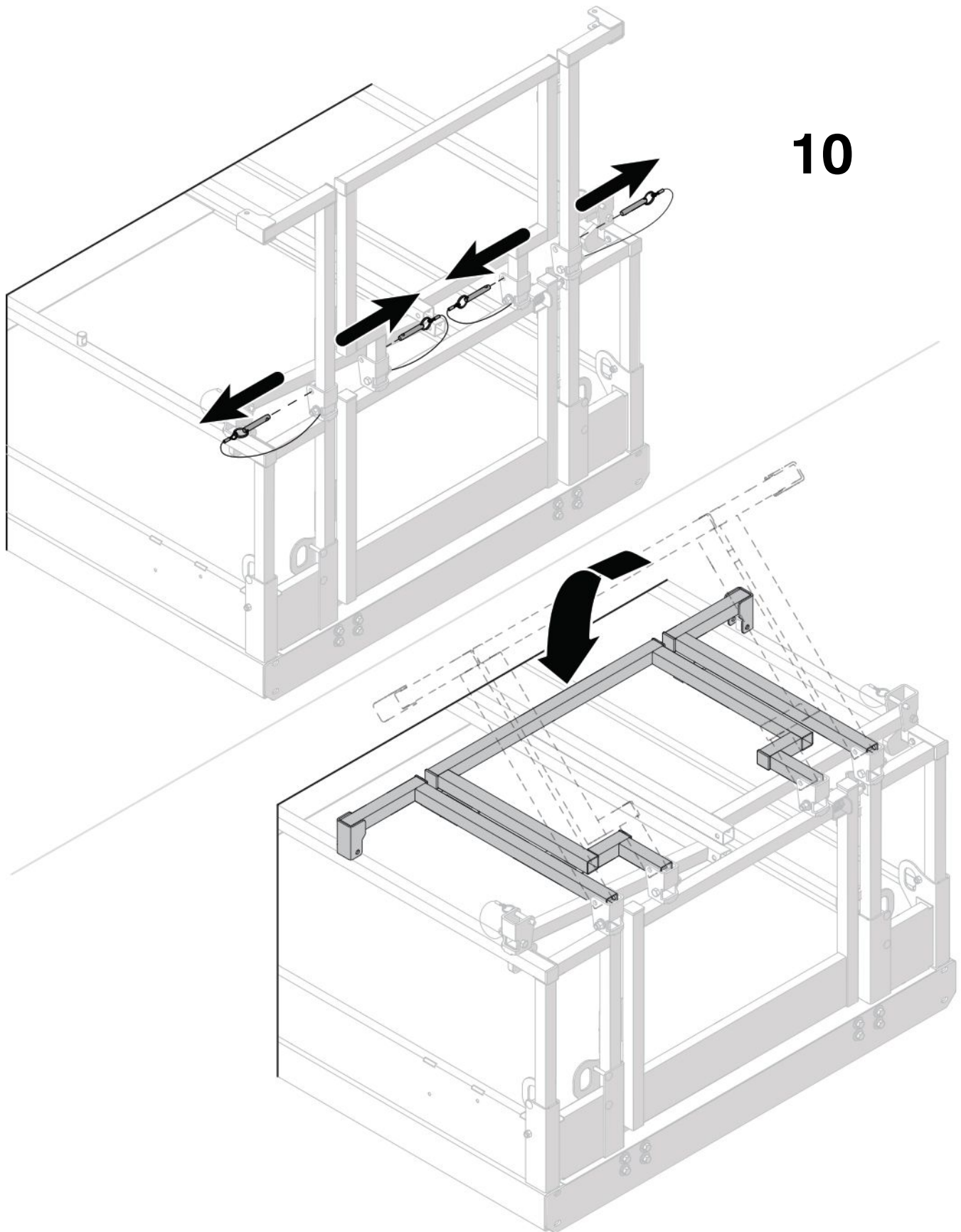


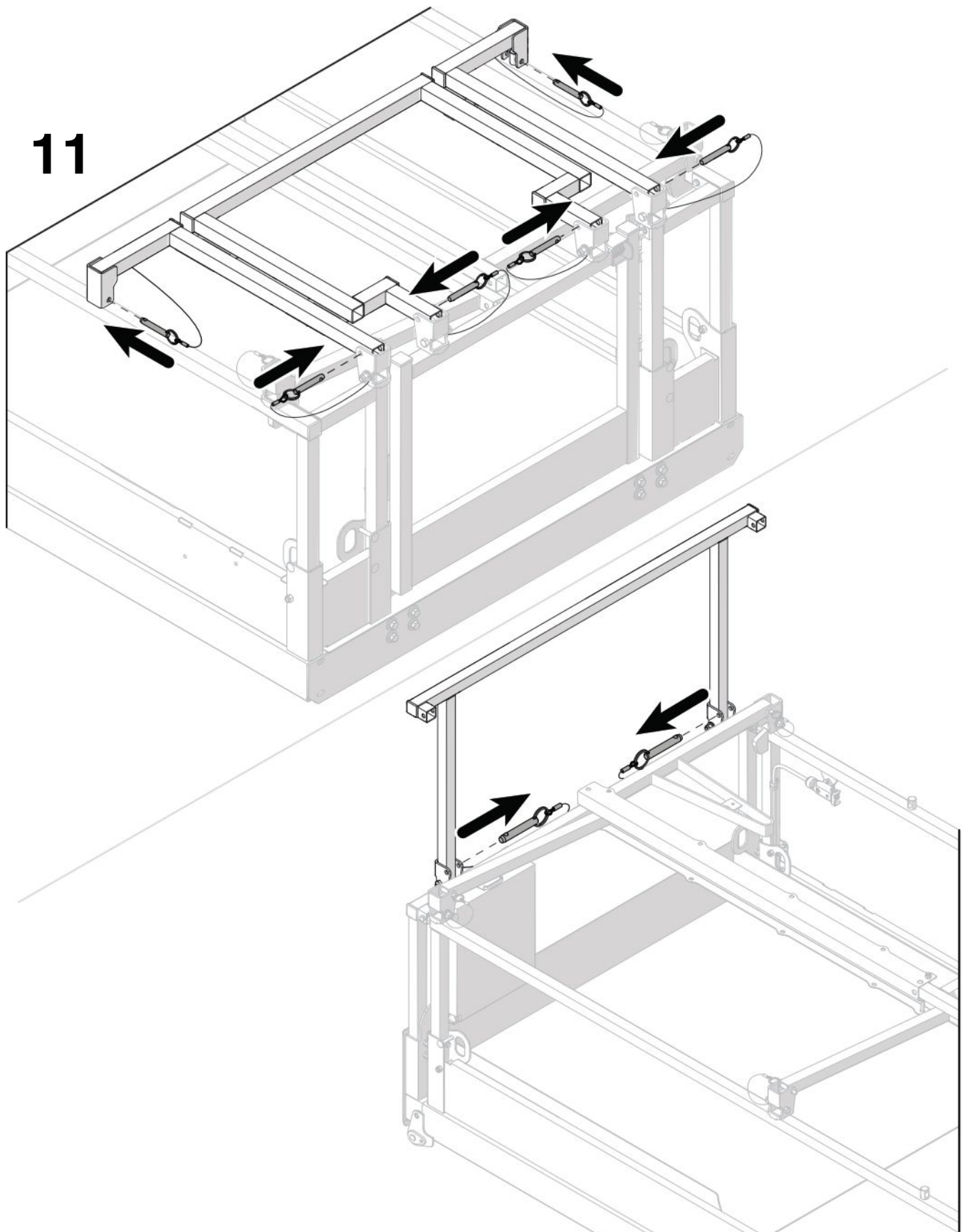


8

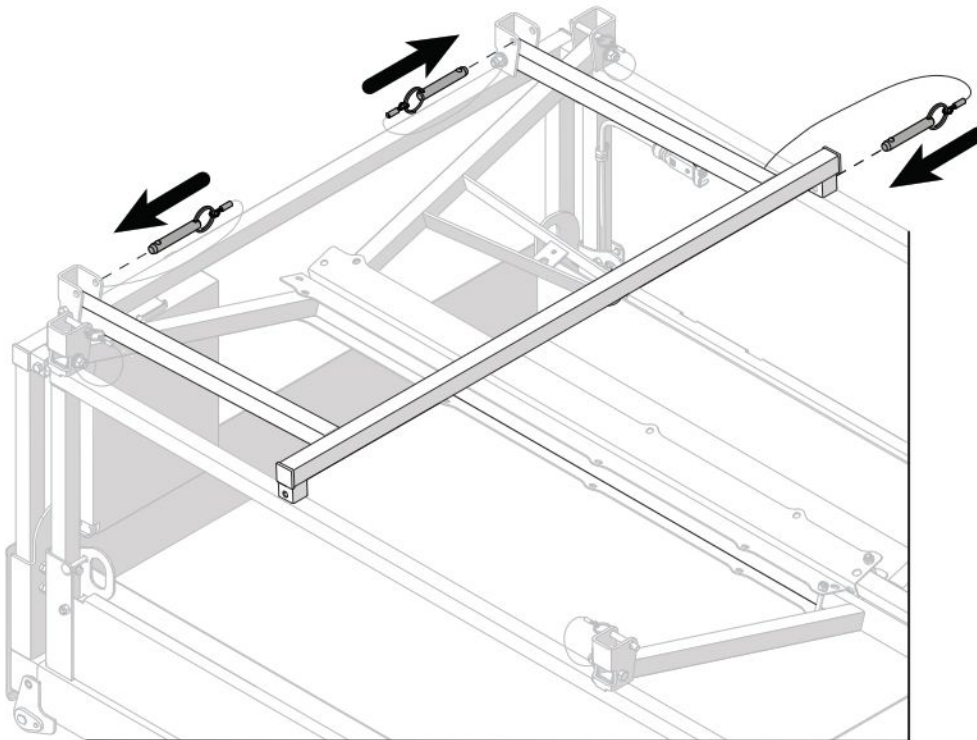
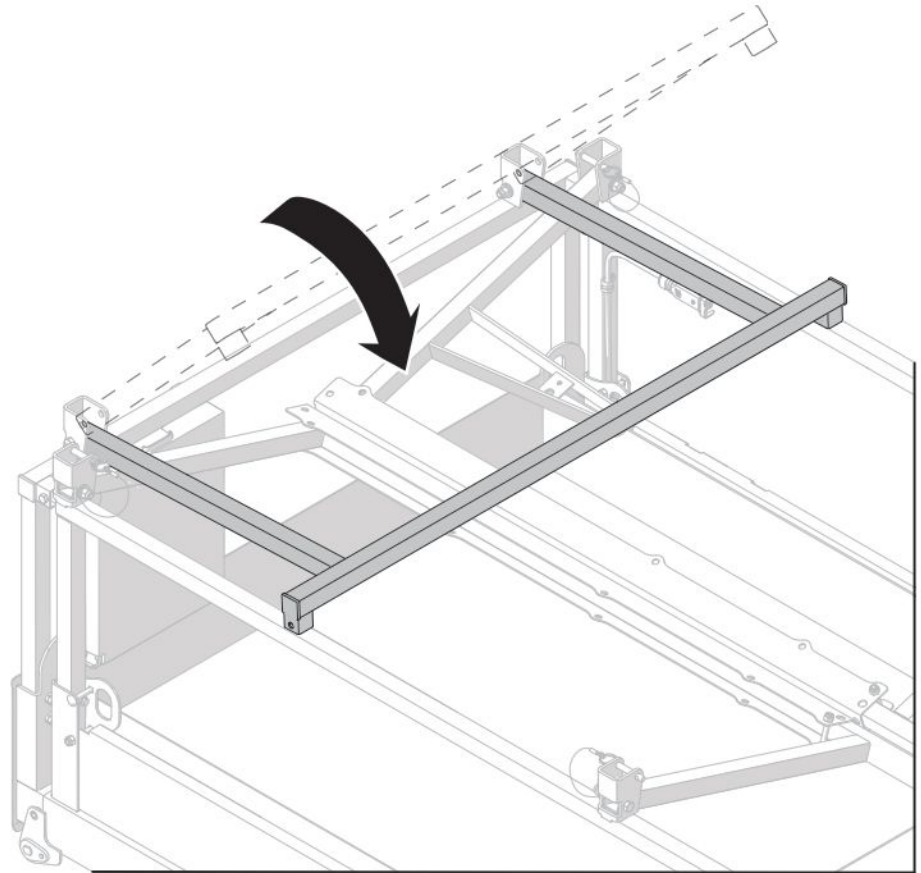
9







12



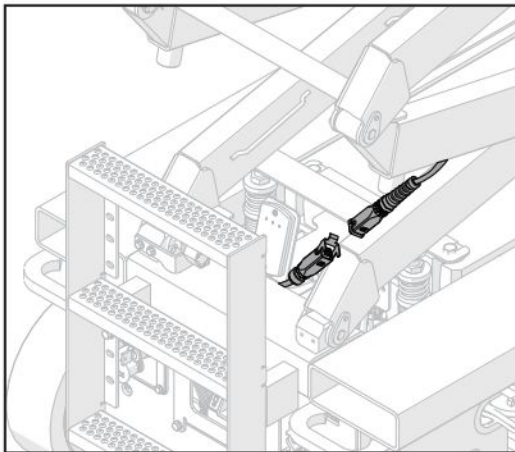
1. Follow the same steps shown in the illustrations in [Section 6.11](#) in reverse (Step 12 to Step 1) to unfold the guardrails.

6.12 Move the MEWP through a doorway

WARNING

Make sure the MEWP is on firm, level surface. If you do not obey, there is a risk of death or serious injury.

1. Make sure the height/width of the doorway is sufficient to let the MEWP drive through.
2. Before you operate the MEWP, do a full inspection of the site (refer to [Section 2.4](#)). Identify hazards in your work area.
3. Make sure the platform is fully lowered.
4. Follow [Section 6.4-1](#) to move the platform control console to the base.



5. Fold the guardrails if it is necessary. Refer to [Section 6.9](#) for the procedure on how to fold the guardrails. Refer to [Section 6.10](#) for the rapidfold guardrails procedure.

WARNING

Crush hazard. Make sure that there are no personnel in the path you will travel. Tell personnel around the path before you move the MEWP. Use a second person to monitor the movement of the MEWP. Make sure that person stays at a safe distance. If you do not obey, there is a risk of death or serious injury.

6. Stay behind the MEWP.
7. Make sure the **platform control console** points in the same direction as the front of the MEWP.
8. Turn the **main power disconnect** switch to the on position.

9. Pull the **emergency-stop** button on the base control console.
10. Turn the **off/platform/base key** switch to the platform position.
11. Pull the **emergency-stop** button on the platform control console.
12. Move the **high speed/low speed** switch to the low speed position for reduced speed.
13. Move the **lift/off/drive** switch to the drive position.
14. Use as low a speed as practical to drive the MEWP forward through the doorway.
15. Push the **emergency-stop** button when the MEWP is safely through the doorway.
16. Turn the **main power disconnect** switch to the off position.
17. Disconnect the **platform control console** from the base and put it on the platform.
18. Unfold the guardrails if they were folded.

WARNING

Before you operate this MEWP, make sure that the guardrail system does not have loose or missing lock pins. The guardrail system must be in the vertical position. Lock all pins correctly. An incorrectly locked guardrail can cause a fall, which can result in death or serious injury.

WARNING

Fall hazard. Make sure each lock pin is correctly installed with the detent ball of each lock pin fully through the hole. Failure to avoid this hazard could result in death or serious injury.

19. Put the **platform control console** back onto the mounting bracket. Install the **lock pin** in the mounting bracket.
20. Put the **control cable** into the railing clamp and install the **lock pin**.

WARNING

Fall hazard. Use the three points of contact principle when you use the MEWP ladder to enter or exit the platform. If you do not obey, there is a risk of death or serious injury.

21. Connect the **platform control console cable** to the **electrical connector** on the platform right front railing.
22. Use the MEWP ladder to exit the platform.
















Section 7 – Specifications

7.1 Standard and optional equipment

Models	SJ3215 E	SJ3219 E	SJ3220 E	SJ3226 E	SJ4720 E	SJ4726 E	SJ4732 E	SJ4740 E
Standard Equipment								
24V DC power source (deep cycle batteries)	*	*	*	*	*	*	*	*
Base controls	*	*	*	*	*	*	*	*
Battery charger indicator	*	*	*	*	*	*	*	*
Battery level indicator	*	*	*	*	*	*	*	*
Dual holding brakes	*	*	*	*	*	*	*	*
Fall protection anchorages	*	*	*	*	*	*	*	*
Forklift pockets/tie downs/lifting lugs	*	*	*	*	*	*	*	*
Hinged rail system	*	*	*	*	*	*	*	*
Hydraulic oil level indicator	*	*	*	*	*	*	*	*
Low voltage battery protection	*	*	*	*	*	*	*	*
Manual extension platform	*	*	*	*	*	*	*	*
Operator horn	*	*	*	*	*	*	*	*
Overload sensing system	*	*	*	*	*	*	*	*
Platform controls	*	*	*	*	*	*	*	*
Pothole protection system	*	*	*	*	*	*	*	*
Spring-loaded half gate entry	*	*	*	*	*	*	*	*
Swing out trays for easy access	*	*	*	*	*	*	*	*
Tilt alarm with drive/lift cut out	*	*	*	*	*	*	*	*
Variable front wheel electric drive	*	*	*	*	*	*	*	*
Optional Equipment								
250 Ah batteries	*	*	*	*	*	*	*	*
AGM batteries	*	*	*	*	*	*	*	*
Flashing light	*	*	*	*	*	*	*	*
Board/drywall carrier	*	*	*	*	*	*	*	*
Dual flashing lights, diagonal location	*	*	*	*	*	*	*	*
Heavy duty pipe rack	*	*	*	*	*	*	*	*
Light duty pipe rack	*	*	*	*	*	*	*	*
Locking battery tray	*	*	*	*	*	*	*	*
SGLE	*	*	*	*	*	*	*	*
Telematics harness	*	*	*	*	*	*	*	*
Tool caddy	*	*	*	*	*	*	*	*
Eco tray	*	*	*	*	*	*	*	*
AC power outlet on platform	*	*	*	*	*	*	*	*
EE rating package	*	*	*	*	*	*	*	*
Rapidfold guardrail	*	*	*	*	*	*	*	*
White noise alarm	*	*	*	*	*	*	*	*
Perimeter lights	*	*	*	*	*	*	*	*

1857AA_ANSI

7.2 Owner's Annual Inspection Record

		172656ACZZ								
		Model _____					<div style="border: 1px solid black; padding: 2px;">SN</div> _____			
Inspection Date 										
	20	20	20	20	20	20	20	20	20	20
Inspector Signature 										

⚠ WARNING

Do not use the MEWP if there is no inspection recorded in the last 13 months (6 months). If you do not obey, there is a risk of death or serious injury.

IMPORTANT

The Owner's Annual Inspection Record on the scissor assembly must be filled out after an annual inspection is completed.

7.3 Specifications

Models	SJ3215 E	SJ3219 E	SJ3220 E	SJ3226 E	SJ4726 E	SJ4732 E	SJ4740 E
Weight *	1166 kg (2570 lb)	1468 kg (3236lb)	1776 kg (3917 lb)	1905 kg (4200 lb)	1979 kg (4362 lb)	2485 kg (5478 lb)	2935 kg (6470 lb)
Overall Width	0.82 m (32.28 in)		0.84 m (33 in)		1.20 m (47.29 in)		
Overall Length (Platform Retracted)	1.80 m (70.87 in)		2.33 m (91.61 in)				2.41 m (95.16 in)
Overall Length (Platform Extended)	2.64 m (103.94 in)		3.17 m (124.81 in)		3.47 m (136.51)		3.32 m (130.65 in)
Platform Size, Inside (Platform Retracted)	1.54 m (60.63 in)		2.10 m (82.75 in)				2.19 m (86.21 in)
Platform Size Inside (Platform Extended)	2.39 m (94.09 in)		2.95 (115.95 in)		3.24 m (127.64 in)		3.09 m (121.69 in)
Height							
Working Height	6.15 m (20 ft 7 in)	7.48 m (24 ft 6 in)	7.78 m (25 ft 6 in)	9.62 m (31 ft 7 in)	9.65 m (31 ft 8 in)	11.48 m (37 ft 8 in)	13.69 m (44 ft 11 in)
Platform Elevated Height	4.44 m (14 ft 7 in)	5.65 m (18 ft 6 in)	5.95 m (19 ft 6 in)	7.79 m (25 ft 7 in)	7.82 m (25 ft 8 in)	9.65 m (31 ft 8 in)	11.86 m (38 ft 11 in)
Stowed Height (Railings Down)	1.67 m (65.75 in)	2.01 m (79.60 in)	1.75 m (68.96 in)	1.93 m (76 in)	1.90 m (74.84 in)	1.99 m (78.45 in)	2.03 m (79.76 in)
Stowed Height (Railings Up)	2.03 m (79.92 in)	2.14 m (84.25 in)	2.10 m (82.85 in)	2.29 m (90 in)	2.29 m (89.98 in)	2.38 m (93.58 in)	2.53 m (99.53 in)
Elevated drive speed tip height	1.37 m (54 in)	1.68 m (66 in)	2.08 m (82 in)	2.08 m (82 in)	2.13 m (84 in)	2.44 m (96 in)	2.44 m (96 in)
Pothole drive cutout height	2.20 m (86.5 in)	2.76 m (108.5 in)	2.04 m (80.31 in)	2.54 m (100 in)	2.62 m (103 in)	3.07 m (120.87 in)	3.86 m (152 in)
Drive Height (Maximum)	FULL						
Standard Operating Times							
Lift Time (No Load)	18 s	19 s	29 s	52 s	51 s	60 s	77 s
Lower Time (No Load)	39 s	32 s	32 s	65 s	57 s	50 s	62 s
Lift Time (Rated Load)	21 s	22 s	34 s	55 s	60 s	64 s	88 s
Lower Time (Rated Load)	28 s	25 s	24 s	55 s	43 s	41 s	53 s
Chassis							
Normal Drive Speed	3.38 km/h (2.1 mph)						3.14 km/h (1.95 mph)
Elevated Drive Speed	0.8 km/h (0.5 mph)	0.97 km/h (0.6 mph)				0.8 km/h (0.5 mph)	
Gradeability (Ramp Angle)	25%						
Tires (Solid Rubber)	12 x 4 x 8				16 x 5 x 12		
Hydraulic Oil							
Type	ATF DEXRON III						
Tank Capacity (Liters)	8.8 L (2.32 gal)			24 L (6.3 gal)			
Sound Pressure Level at Platform Level							
Does not exceed:	70 db(A)						
Whole Body Vibration							
Whole body vibration on the platform does not exceed 0.5 m/sec ² .							

* Weight with standard 0.9 m extension platform. Refer to serial nameplate for specific applications.

2218AB

SJ3215 E, SJ3219 E, SJ3220 E, SJ3226 E, SJ4726 E, SJ4732 E, SJ4740 E

249533ABA

7.4 Environment

Model	SJ3215 E	SJ3219 E	SJ3220 E	SJ3226 E	SJ4720 E	S74726 E	SJ4732 E	SJ4740 E
Electro-magnetic compatibility (EMC)	Meets requirements of ISO 13766-1:2018							
Hazardous location rating	MEWP not rated for hazardous locations with potentially flammable gases, explosive gases or particles							
	<p>EE-rated machines only:</p> <p>Meets requirements of UL 583 standards as related to NFPA 505 Class I, Division 2, Group D location. DO NOT charge the batteries in hazardous areas.</p>							
Operating temperatures								
-20°C (-4°F) – +40°C (+104°F)								

2222AA_ANSI

7.5 Maximum Platform Capacities

Model	Wind rating	Total platform capacity	Extension platform capacity	Manual side force	Tilt cutout setting (side-to-side x front-to-back)		
SJ3215 E	0 m/s (0 mph)	272 kg (600 lb)	2 persons	113 kg (250 lb)	1 person	1.5° × 3.5°	
	12.5 m/s (28 mph)		1 person				400 N (90 lbf)
SJ3219 E	0 m/s [0 mph]	227 kg [500 lb]	2 Persons	113 kg [250 lb]	1 Person		200 N (45 lbf)
	12.5 m/s [28 mph]		1 Person				400 N [90 lbf]
SJ3220 E	0 m/s [0 mph]	408 kg (900 lb)	2 Persons	136 kg (300 lb)	1 Person		200 N [45 lbf]
	12.5 m/s [28 mph]		1 Person				400 N [90 lbf]
SJ3226 E	0 m/s [0 mph]	227kg (500 lb)	2 Persons	113 kg (250 lb)	1 Person		200 N [45 lbf]
	12.5 m/s [28 mph]		1 Person				400 N [90 lbf]
SJ4726 E	0 m/s [0 mph]	454 kg (1000 lb)	3 Persons	136 kg (300 lb)	1 Person		200 N [45 lbf]
	12.5 m/s [28 mph]		1 Person				400 N [90 lbf]
SJ4732 E	0 m/s [0 mph]	318 kg (700 lb)	2 Persons	113 kg (250 lb)	1 Person		200 N [45 lbf]
	12.5 m/s [28 mph]		1 Person				400 N [90 lbf]
SJ4740 E	0 m/s [0 mph]	350 kg (770 lb)	3 Persons	120 kg (265 lb)	1 Person	200 N [45 lbf]	
	12.5 m/s [28 mph]		1 Person			400 N [90 lbf]	

NOTE

Occupants and materials are not to exceed the rated load. Refer to the capacity label at the entrance of the platform and the front kick plate for more information and models equipped with options.

2223AB

7.6 Floor Loading Pressure

Model		Weights				Pressures			
		MEWP weight		Max weight per wheel		LCP**		OFL**	
		kg	lb	kg	lb	kPa	psi	kPa	psf
SJ3215 E	Min*	1166	2570	290	640	670	97	8	167
	Max*	1438	3170	574	1265	1103	160	9.8	206
SJ3219 E	Min*	1468	3236	367	809	792	115	10	210
	Max*	1695	3736	608	1340	1159	168	11.6	242
SJ3220 E	Min*	1776	3917	445	981	536	78	9.6	201
	Max*	2184	4817	853	1880	749	109	11.9	248
SJ3226 E	Min*	1905	4200	476	1050	553	80	9.5	199
	Max*	2132	4700	794	1750	718	104	10.7	223
SJ4726 E	Min*	1979	4362	495	1091	562	85	6.9	145
	Max*	2433	5362	1000	2205	823	119	8.5	178
SJ4732 E	Min*	2485	5478	621	1369	628	91	8.7	182
	Max*	2803	6178	1066	2350	856	124	9.8	205
SJ4740 E	Min*	2935	6470	735	1620	688	100	10	208
	Max*	3285	7240	1270	2800	956	139	11.2	233

- * **Min:** Minimum MEWP weight (Unloaded platform, no options/attachments)
Max: Maximum MEWP weight (Platform loaded to capacity with options/attachments)

Wheel is the weight that can be experienced on one wheel.

Note: This is more than 25% of the machine weight due to possible weight distribution over the machine and platform.

- ** **LCP:** Local Concentrated Pressure is a measure of how hard the MEWP presses on the area in direct contact with the floor/tire.
OFL: Overall Floor Load (Pressure) is a measure of the average load the MEWP imparts on the whole surface directly underneath the chassis. This has been calculated by dividing the MEWP weight by the overall floor area occupied by the MEWP (on wheels).

Note: The floor covering (e.g., tile, carpet, etc.) or the structure (e.g., beams) of the operating surface must be able to withstand more than the values indicated above.

Note: The LCP or OFL that an individual surface can withstand varies from structure to structure and is generally determined by the engineer or architect for that particular structure.

2227AB

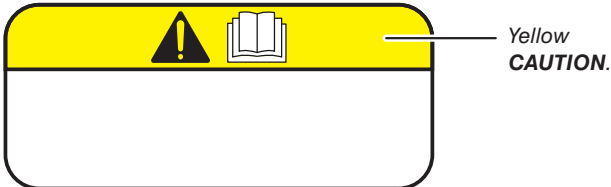
Section 8 – Labels



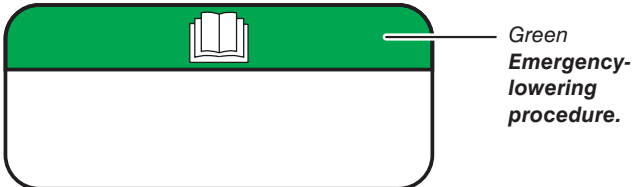
Red
DANGER.



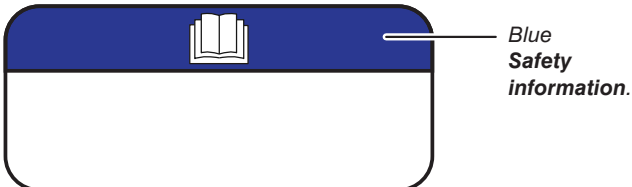
Orange
WARNING.



Yellow
CAUTION.

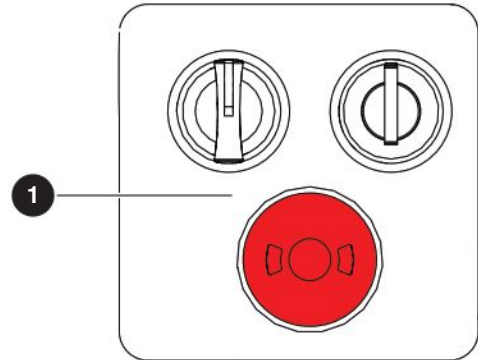
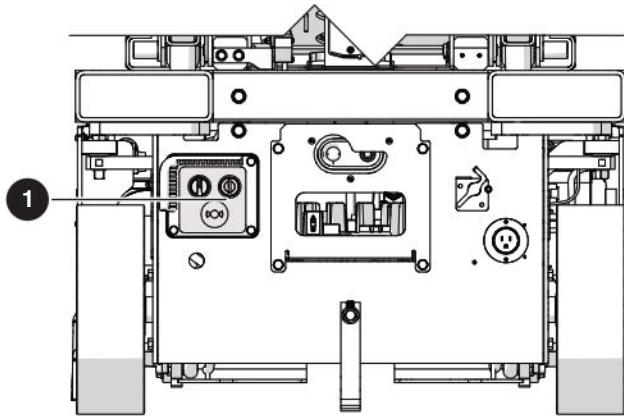


Green
**Emergency-lowering
procedure.**



Blue
**Safety
information.**

8.1 Base control console

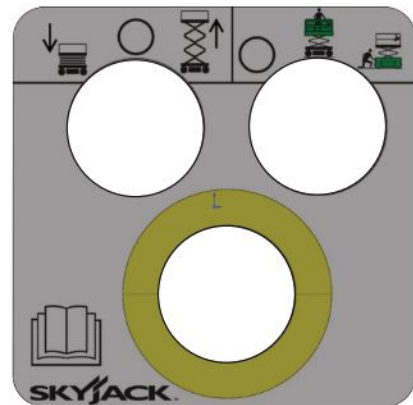


Description

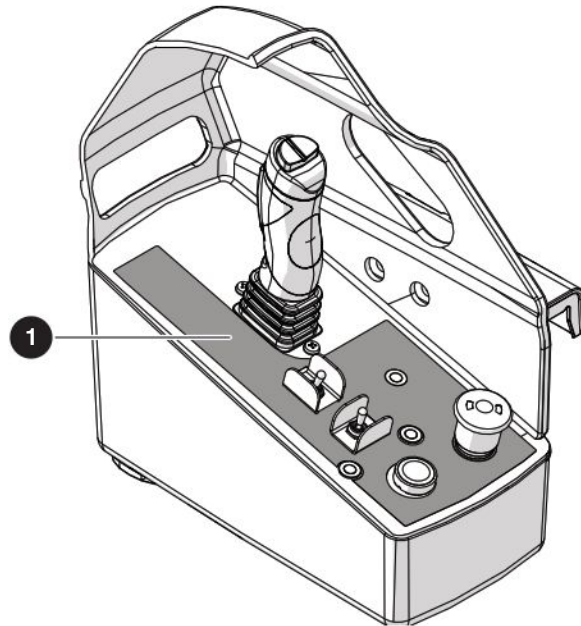
Label Pictorial

1 Base controls

- Select the **off position** to turn off power to the MEWP, the **platform position** to energize the platform controls, or the **base position** to energize the base controls.
- Turn and hold the **lower/neutral/raise** switch to lower or raise the platform.
- Push the **emergency-stop** button to disconnect power to the control circuit. Pull the **emergency-stop** button to connect the power again.



8.2 Platform control console

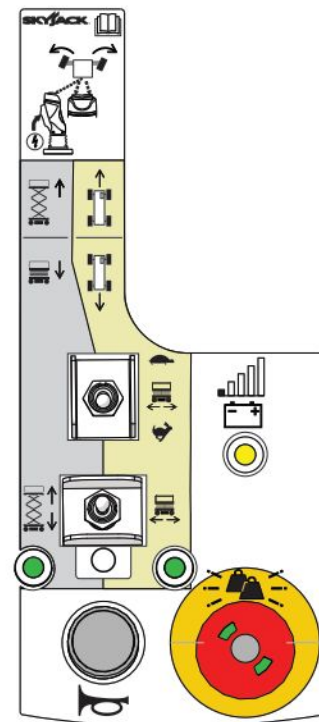


Description

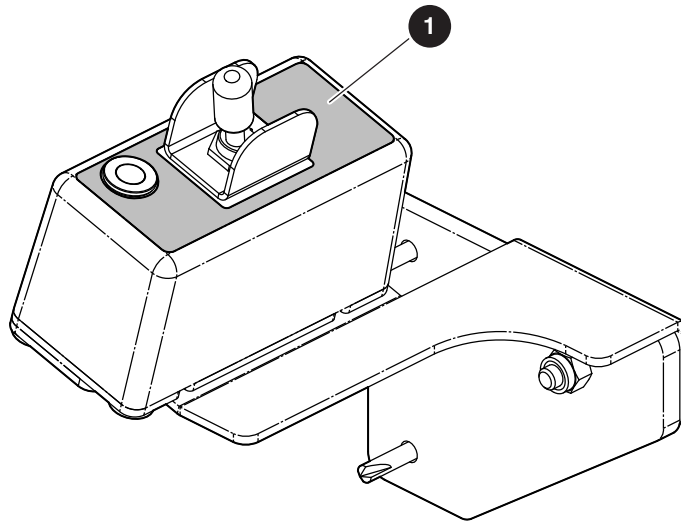
Label Pictorial

1 Platform controls

- Squeeze and hold the **function-enable** switch to energize the lift, drive, and steer functions.
- Select the **lift**, **off**, or **drive** mode.
- Operate the **steering rocker** switch to steer.
- Move the **controller handle** to control the lift and drive movements.
- Select the **low speed** or high speed mode.
- Push the **horn** button to make a sound like a car horn.
- Push the **emergency-stop** button to disconnect power to the control circuit. Pull the **emergency-stop** button to connect the power again.



8.3 Dual height control console label (SJ3226 E and SJ4740 E, If Equipped)

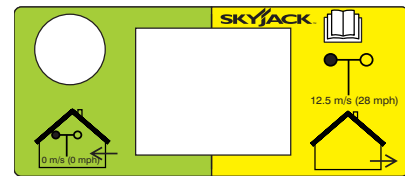


Description

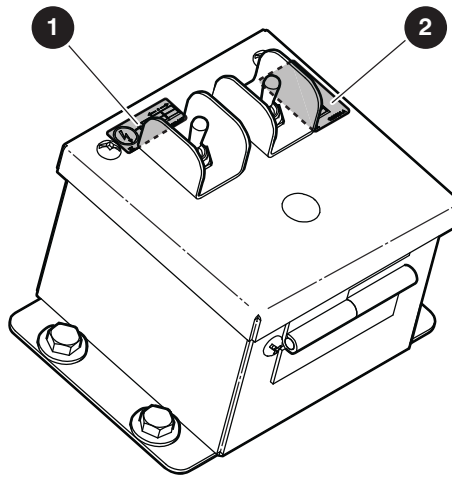
Label Pictorial

1 Dual height controls

Lift the **dual height** switch to select the indoor (no wind) or outdoor (wind) mode.



8.4 Power deck control console label (SJ3220 E), if equipped

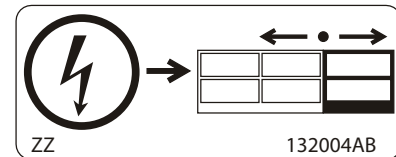


Description

Label Pictorial

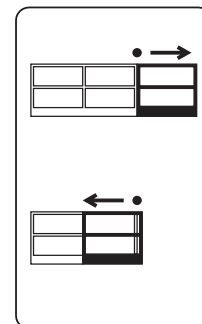
1 Power deck enable switch

- Move and hold the **enable** switch to energize the extend and retract functions.

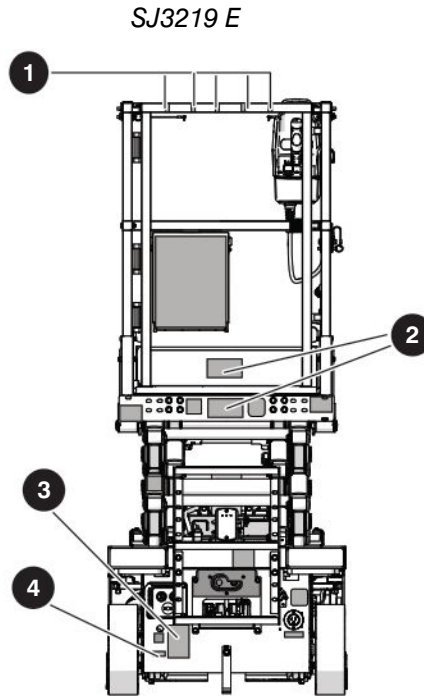


2 Power deck extend/retract switch

- Move and hold the **extend/retract** switch to extend or retract the extension platform.



8.5 Rear



Description

Label Pictorial

1 Caution tape stripe



2 Platform capacity*

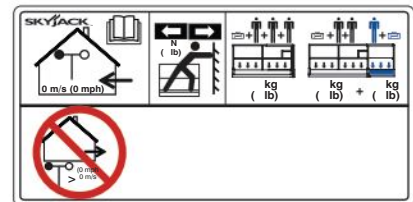
Shows the rated work load in each configuration.

**Each model has different platform capacities.*

Horizontal load rating**

Do not apply more than the specified side load. Operate the MEWP when the wind speed, which includes wind gusts, is less than the specified speed for this model.

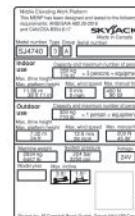
***The rating changes between different units.*



3 Serial plate*

MEWP identification and specifications.

**The serial plate information changes with different MEWPs.*

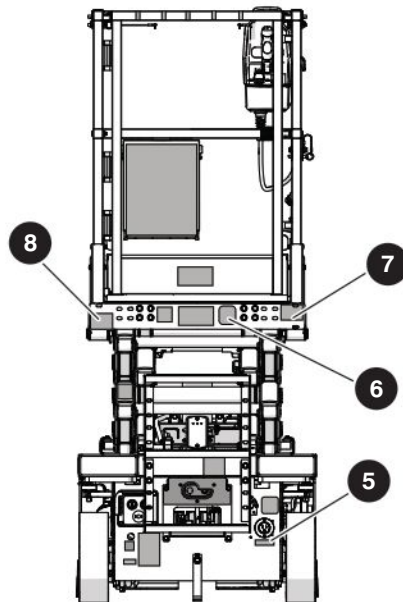


4 Skyjack manufactured date

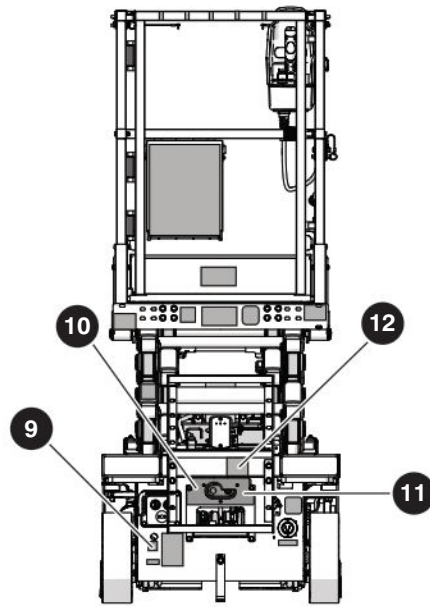
Shows the month and year of manufacture for this MEWP.



SJ3219 E



Description	Label Pictorial
<p>5 AC power plug Connect the AC supply here.</p>	
<p>6 Operator daily inspection Refer to the operation manual. Do the visual inspections and function tests when you start each work shift. Refer to Section 4.2.</p>	
<p>7 No jewelry Caution. Do not wear jewelry or loose clothing that could become caught or entangled.</p>	
<p>8 Warning - California proposition 65 Cancer and reproductive harm - https://www.p65warnings.ca.gov/</p>	



SJ3219 E

Description

Label Pictorial

9 Elevate™ Trackunit (optional equipment)

This MEWP has added functionality.



10 Winch/tow/push procedure

1. Release the brakes manually. Refer to [Section 6.2](#).
2. Push, winch, or tow the MEWP to the necessary location.
3. Put the MEWP on a firm, level surface.
4. Push the **emergency-stop** button to reset the brakes.



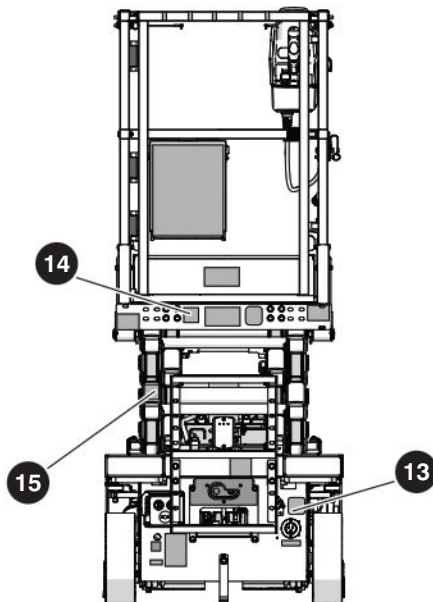
11 Emergency lowering procedure

Hold the **emergency-lowering** switch to the left or right to fully lower the platform.



12 Emergency-lowering identification

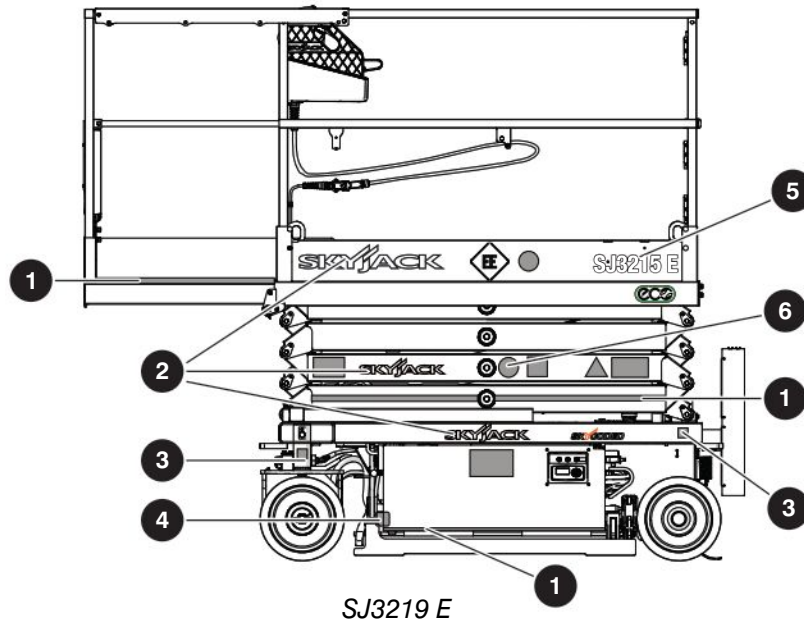




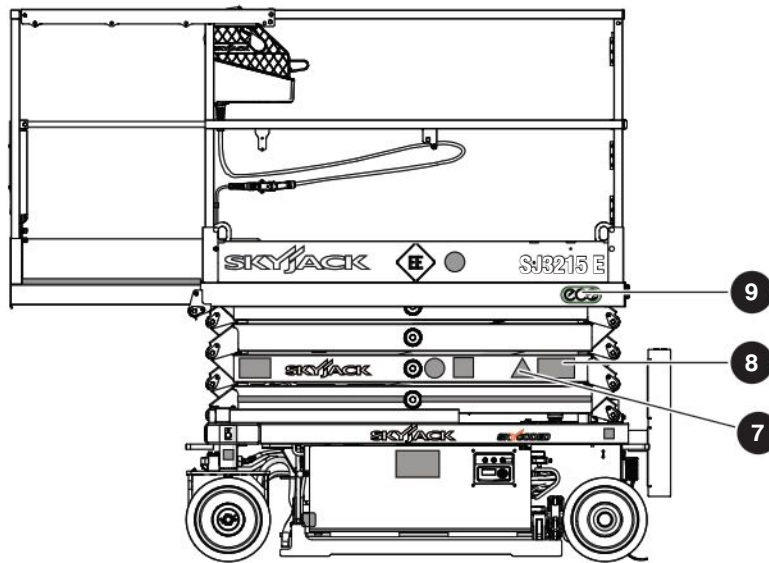
SJ3219 E

Description	Label Pictorial
<p>13 Main power disconnect switch</p> <p>Turn the switch clockwise to turn the power on. Turn the switch counterclockwise to turn the power off. Use a padlock to lock the switch in place.</p>	
<p>14 No insulation</p> <p>This MEWP is not electrically insulated and does not provide protection from contact with, or proximity to, energized electrical conductors. Follow Section 2.1-1 for the minimum distance to keep between all parts of the MEWP, occupants, or tools, and the electrical conductors.</p>	
<p>15 Warning - deploy maintenance support(s)</p> <p>Do not do maintenance or inspections in the scissor assembly unless the maintenance support is deployed. Refer to Section 6.7.</p>	

8.6 Left side



Description	Label Pictorial
<p>1 Caution tape stripe</p>	
<p>2 Skyjack logo</p>	
<p>3 Wheel load* Shows the maximum load applied to the ground by the specified wheel. <i>*Each model has different wheel loads.</i></p>	
<p>4 Warning - crush hazard</p>	
<p>5 Model number* Product identifier. <i>*The model number can be different from the one you see.</i></p>	
<p>6 Stay away Stay away from the MEWP when it is in operation.</p>	



SJ3219 E

Description

Label Pictorial

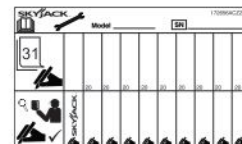
7 Warning - annual inspection

Refer to the operation manual. Make sure the annual and daily inspections are done.



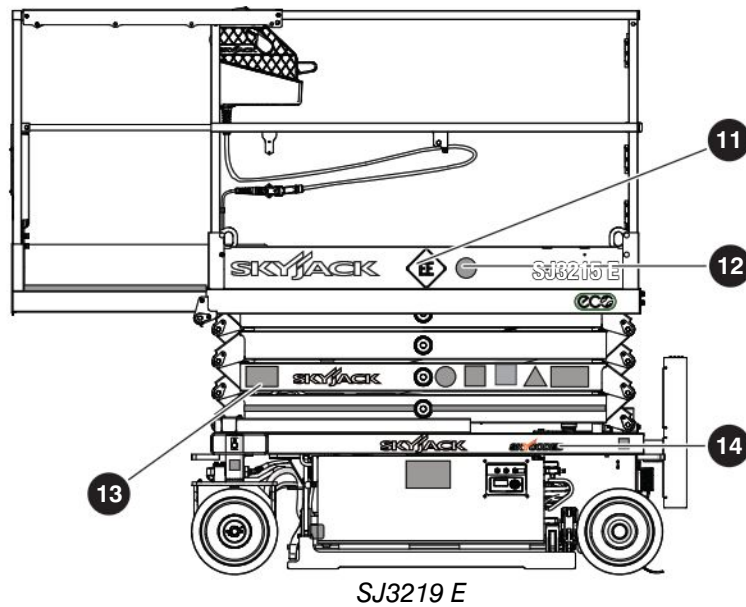
8 Annual inspection

Make sure the MEWP receives an annual inspection before operation.



9 ECO logo





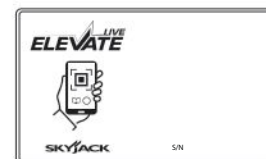
Description	Label Pictorial
-------------	-----------------

- 11 EE-Rating (optional equipment)**
 Shows the EE-rating for EE-rated MEWPs.
**Only MEWPs that are EE-rated have this label.*



- 12 UL certification (optional equipment)**
**Only MEWPs that are EE-rated have this label.*

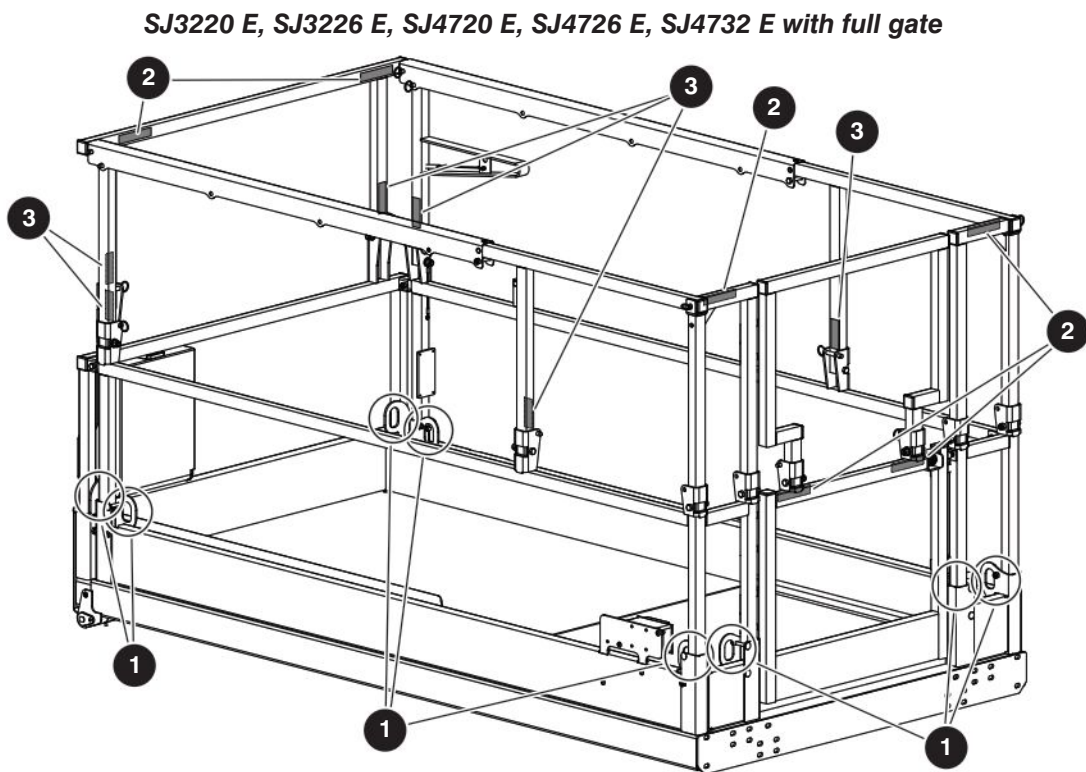
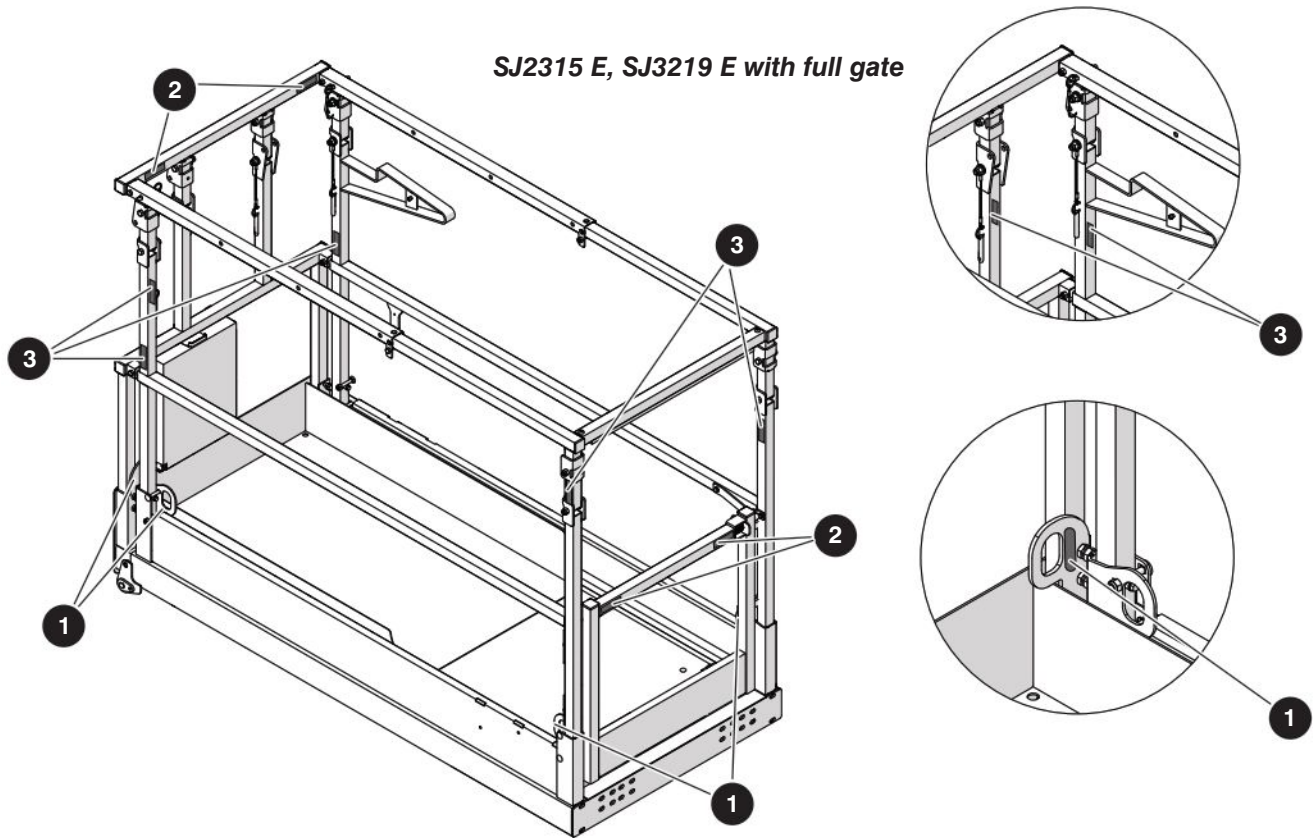
- 13 QR code**
 This code gives you fast access to the MEWP documentation and the live MEWP data supplied by ELEVATE telematics (optional equipment).



- 14 Skycoded™ logo**

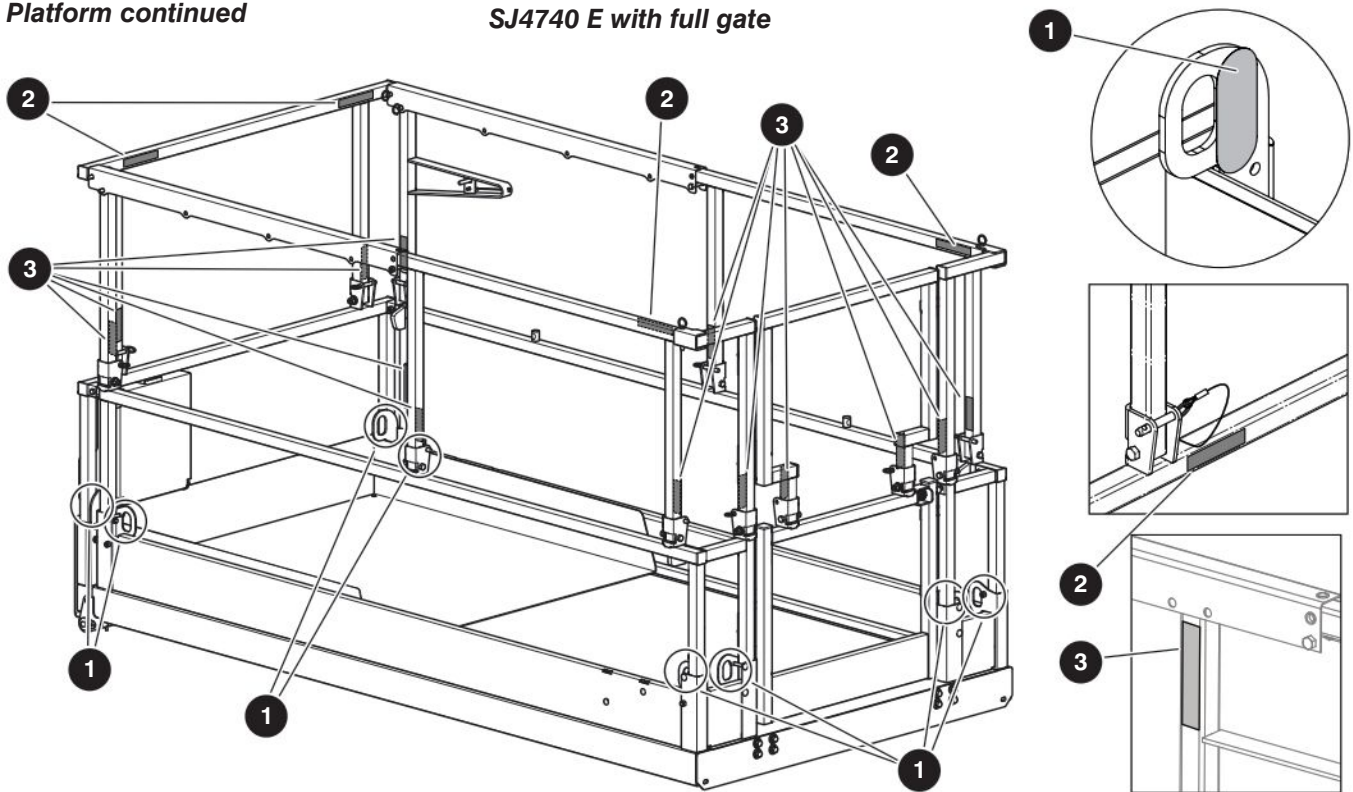


8.7 Platform



Platform continued

SJ4740 E with full gate



Description

Label Pictorial

1 Fall-protection anchorages

When required, attach the body-harness lanyards of each occupant to the fall-protection anchorage points.
Rated for one (1) person for each anchorage point.



2 Warning - fall hazard

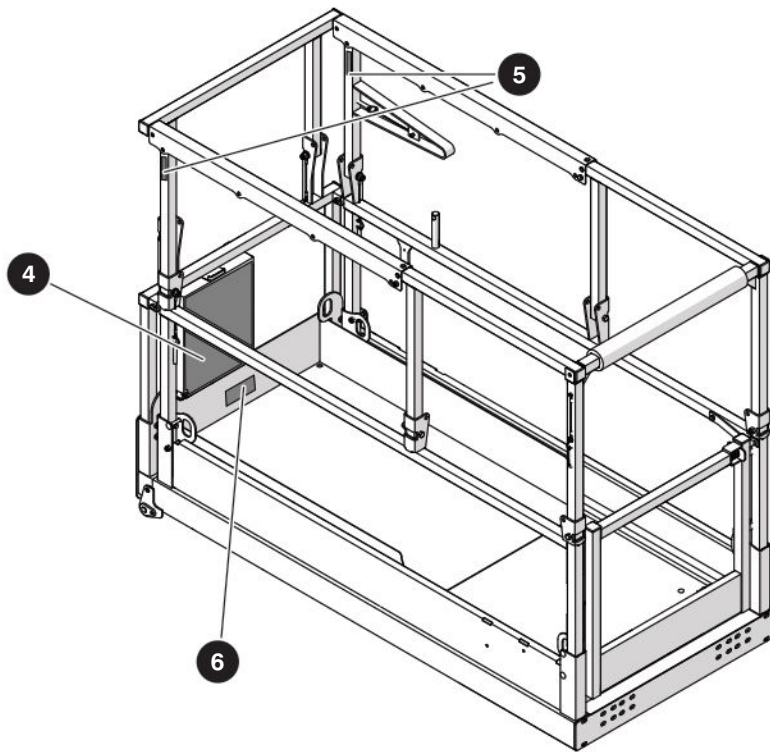
Make sure the railing is locked with **lock pins**.



3 Warning - fall hazard

Make sure the railing is locked with **lock pins**.





Description

Label Pictorial

4 Hazard identification

Read and understand the specific hazards with this MEWP before operation. Refer to [Section 2](#).

Manual storage box

Shows the location of the operation manual.

Note: This label is inside the platform.



5 Platform extension lock pin

Shows the location of the platform extension pin, which is on the inner face at the front of the left and right guardrails.



6 Platform capacity*

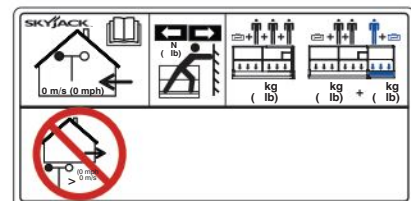
Shows the rated work load in each configuration.

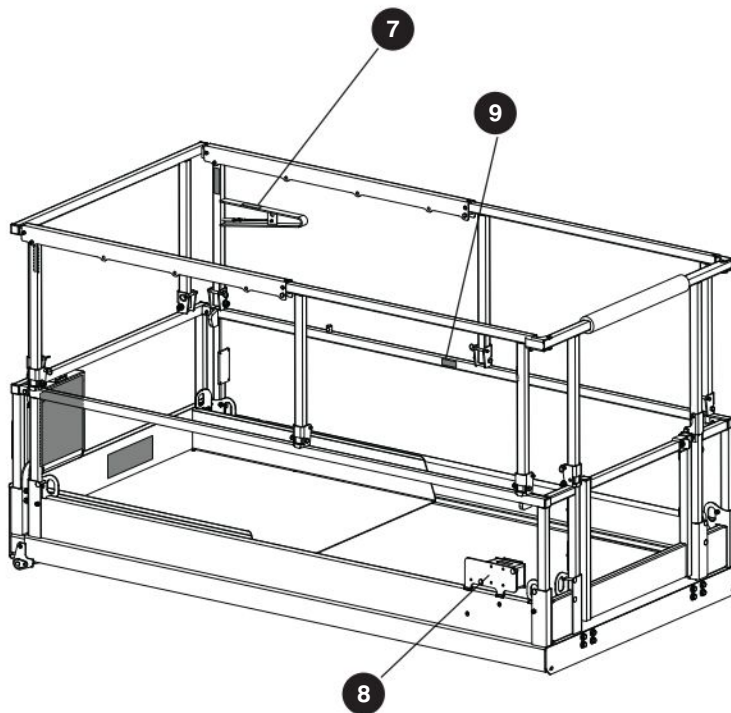
**Each model has different platform capacities.*

Horizontal load rating**

Do not apply more than the specified side load. Operate the MEWP when the wind speed, which includes wind gusts, is less than the specified speed for this model.

***The rating changes between different units.*





Description

Label Pictorial

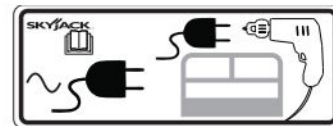
7 Location of the platform control console

Shows the location of the platform control console.



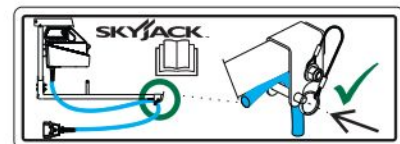
8 AC power plug

Connect the AC supply here.

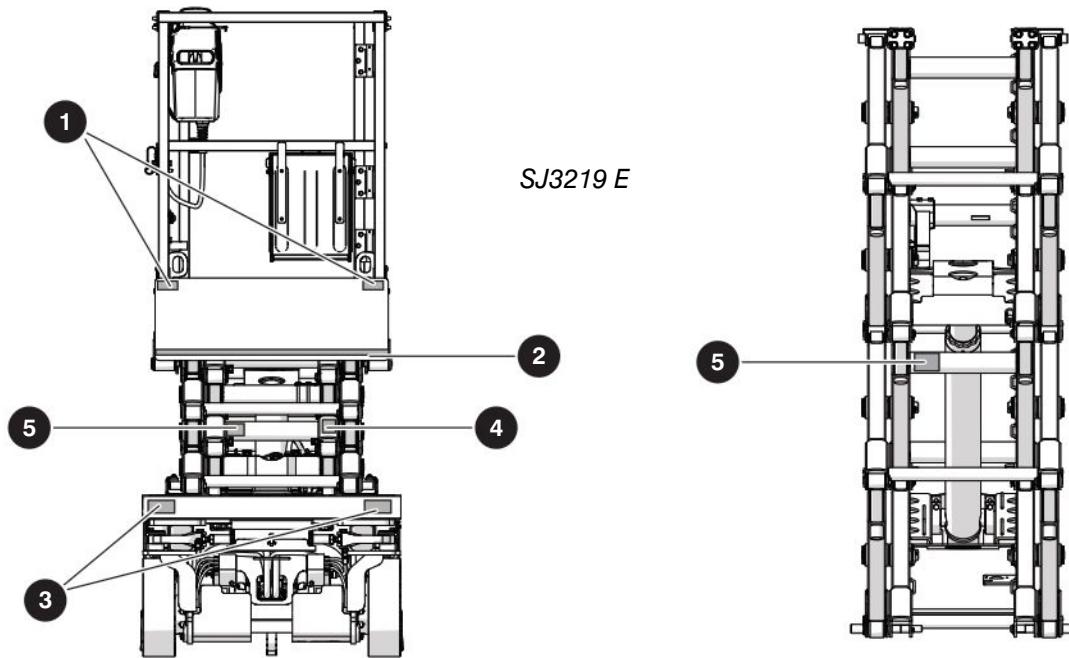


9 Platform control cable

Insert the platform control console cable in the bracket and lock it with the lock pin.



8.8 Front



Description

Label Pictorial

1 Warning - crush hazard



2 Caution tape stripe



3 Lift and tie-down points

Only use these points to lift or tie down the MEWP.



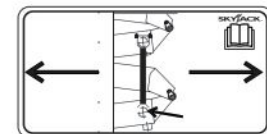
4 Warning - deploy maintenance support(s)

Do not do maintenance or inspections in the scissor assembly unless the maintenance support(s) are deployed. Refer to [Section 6.7](#).

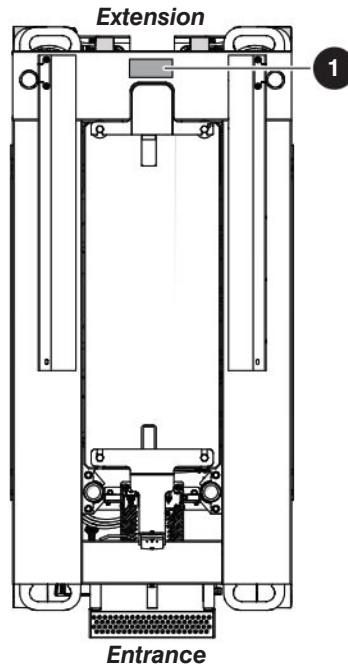


5 Maintenance support

Engage the maintenance support here.



8.9 Top



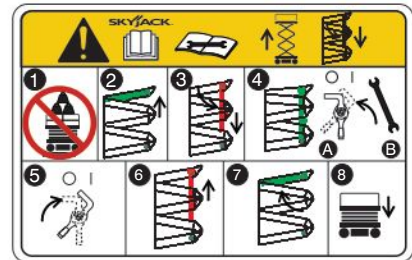
Description

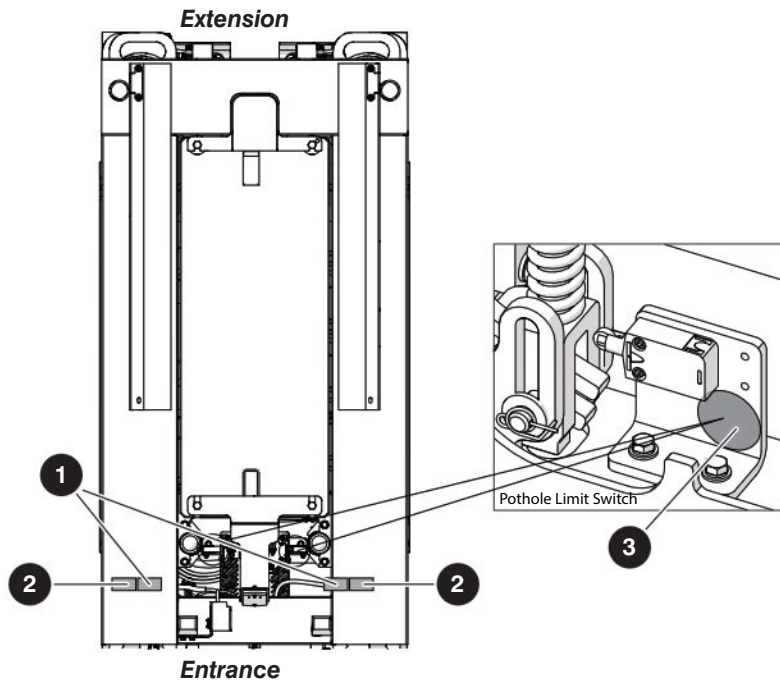
Label Pictorial

1 Maintenance support procedure

Refer to the operation manual.

1. Remove all personnel and material from the platform.
2. Raise the platform until there is adequate clearance to deploy the **maintenance support**.
3. Deploy the **maintenance support**. Lower the platform until the bottom end of the **maintenance support** touches the cross bar with the label, and the maintenance support holds the scissors.
4. The maintenance support is now secured.
 - (A) Turn the **main power disconnect** switch to the off position.
 - (B) Do the necessary inspection or maintenance.
5. Turn the **main power disconnect** switch to the on position.
6. Raise the platform until there is adequate clearance to retract the **maintenance support**.
7. Store the **maintenance support** into the storage bracket.
8. Fully lower the platform.





Description

Label Pictorial

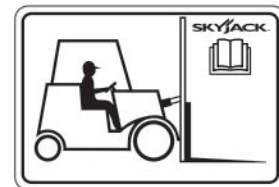
1 Lift and tie-down points

Only use these points to lift or tie-down the MEWP.



2 Forklift pocket

Put the fork fully into the pocket to lift the MEWP.

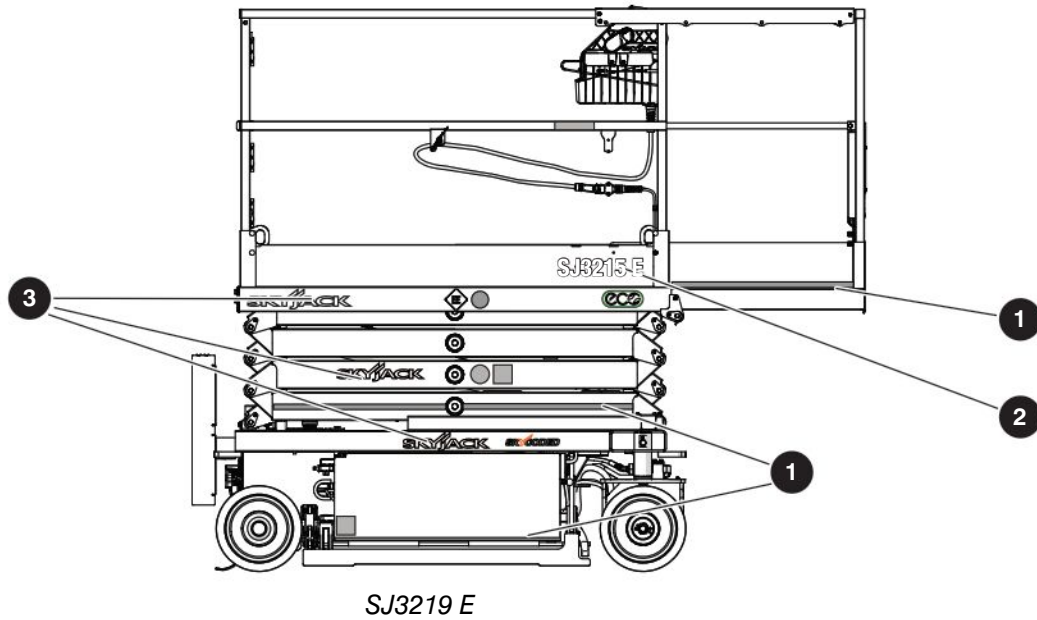


3 Warning - Do not alter

Do not tamper with or disable the limit switches or other safety devices.



8.10 Right side



Description

Label Pictorial

1 Caution tape stripe



2 Model number*

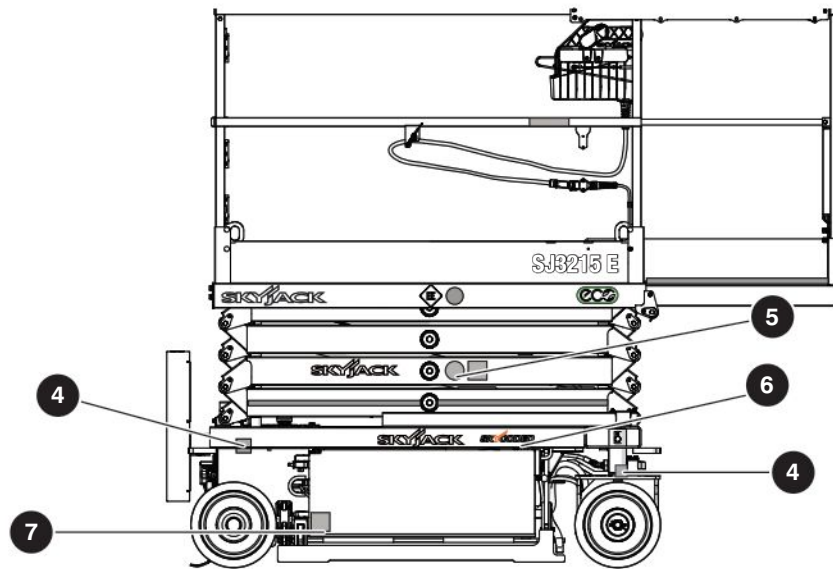
Product identifier

**The model number can be different from the one you see.*

SJ3215 E

3 Skyjack logo





SJ3219 E

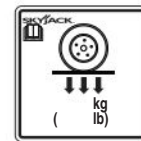
Description

Label Pictorial

4 Wheel load*

Shows the maximum load applied to the ground by the specified wheel.

**Each model has different wheel loads.*



5 Stay away

Stay away from the MEWP when it is in operation.

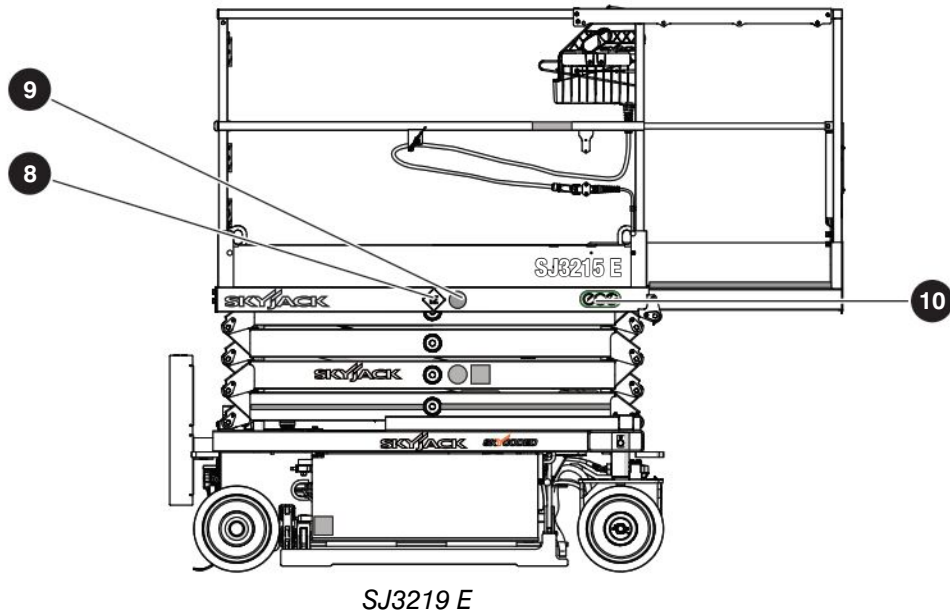


6 Skycoded™ logo



7 Warning - crush hazard





Description

Label Pictorial

8 EE-Rating (optional equipment)

Shows the EE-rating for EE-rated MEWPs.

**Only MEWPs that are EE-rated have this label.*



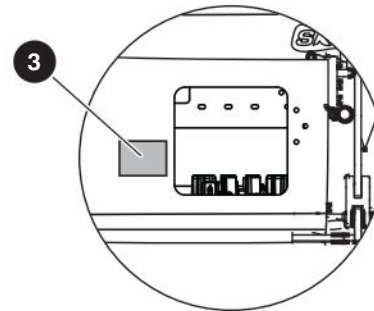
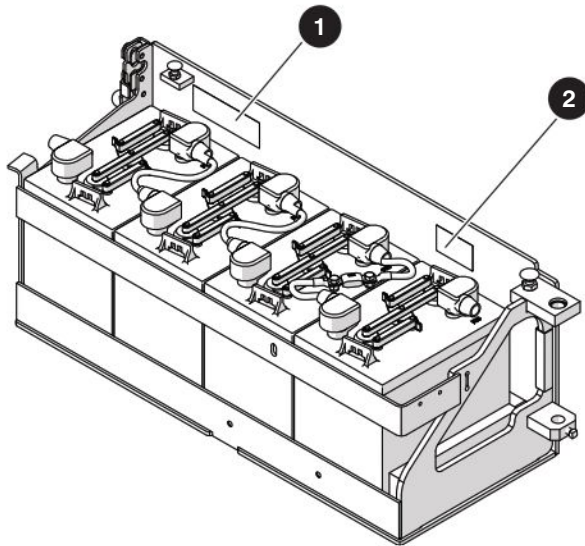
9 UL certification (optional equipment)

**Only MEWPs that are EE-rated have this label.*

10 ECO logo



8.11 Battery tray

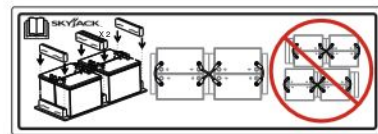


Description

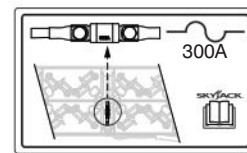
Label Pictorial

1 Battery spacers

Put the spacers only as shown in the diagram.

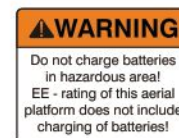


2 Fuse location

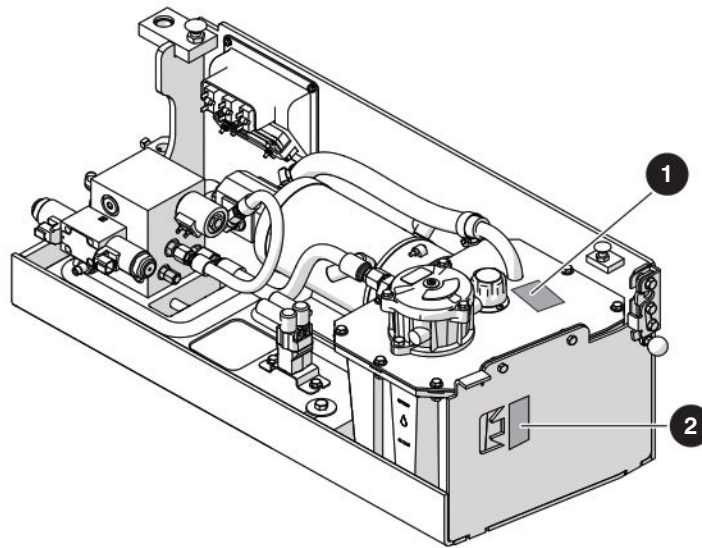


3 Warning - connect the charger for EE-Rated MEWPs (optional equipment)

Do not charge batteries in hazardous areas.



8.12 Hydraulic tray

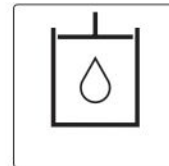


Description

Label Pictorial

1 Hydraulic oil ATF Dexron III*

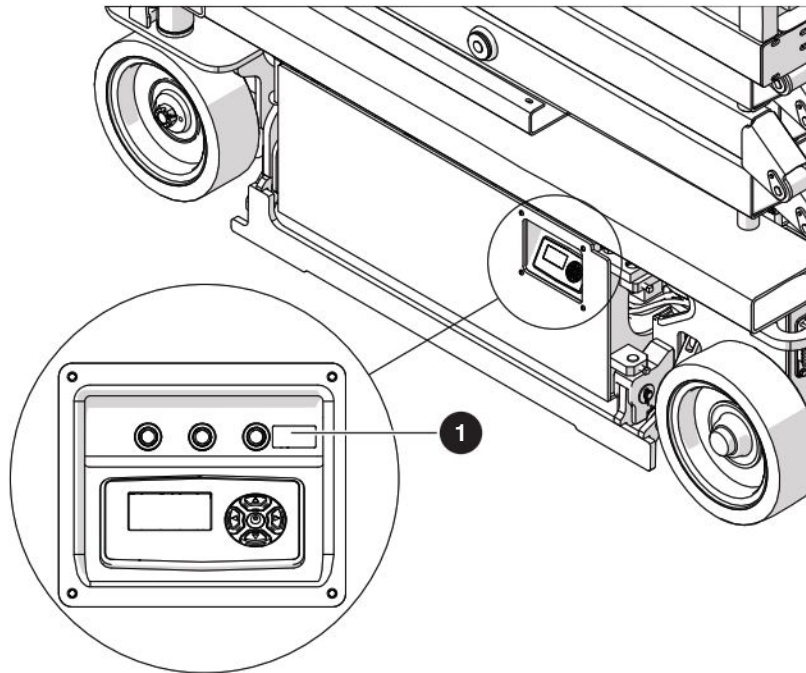
Replace the hydraulic oil with the same type of oil shown on the label.



2 Hydraulic oil level



8.13 Display panel

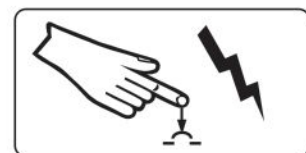


Description

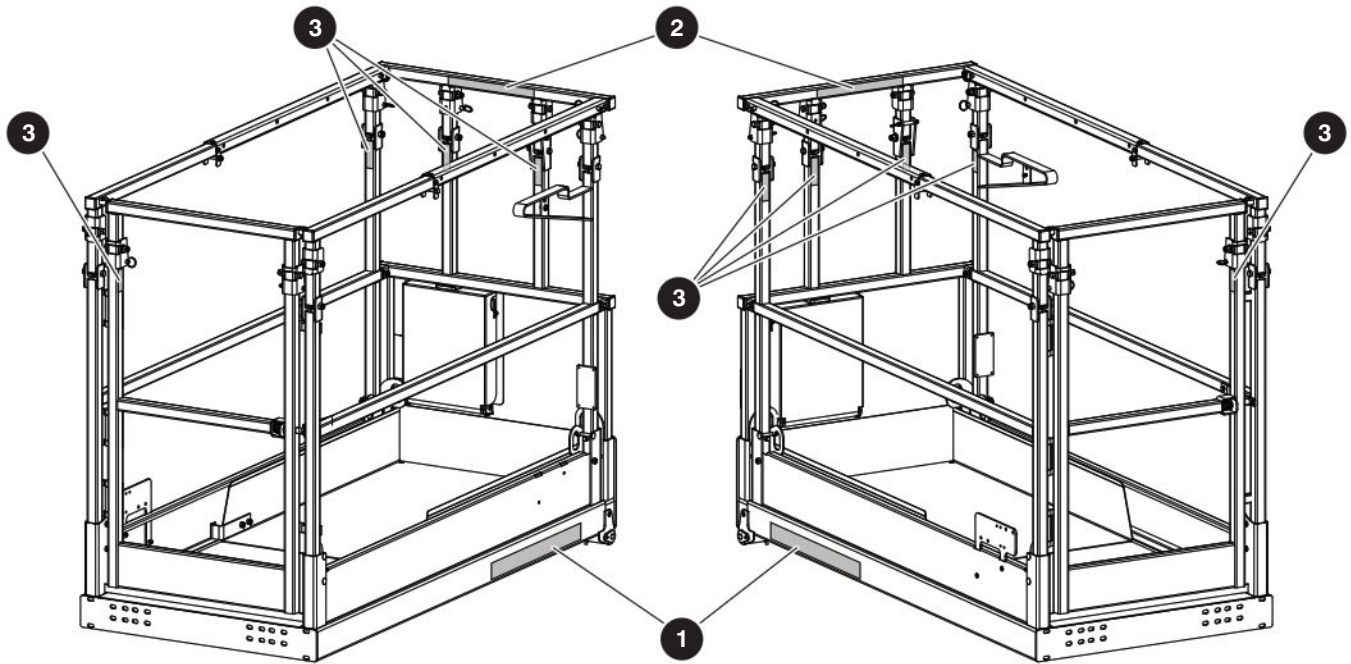
Label Pictorial

1 Circuit breaker reset

Push to reset the circuit breaker.



8.14 RapidFold guardrail labels (SJ3219 E)



Description

Label Pictorial

1 RapidFold logo



2 RapidFold information



3 Warning - fall hazard

Make sure the hinged railing is locked with lock pins.



Section 9 – Unique Skyjack Features

Your Skyjack MEWP may be equipped with the following unique features:

ACCESSORYZERS™

Having equipment with features and functionality that allow you and your customers to do more is a vital part of the utilization equation. Skyjack offers a range of accessory products to further expand a given product's adaptability and your power to offer a truly flexible rental choice.

SKYCODED™

A proven and reliable, Skyjack's color coded and numbered wiring system, make our machines the easiest to trouble shoot and repair which means easier maintenance and lowered costs.



WARNING

Cancer and Reproductive Harm-
<https://www.p65warnings.ca.gov/>

SKYJACK™

www.skyjack.com